



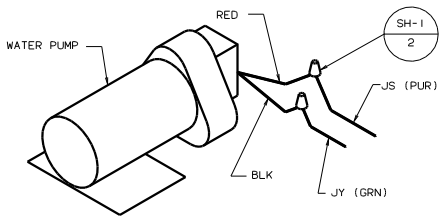
DANGER

Danger of electrical shock, burns or death. Always remove all power sources before attempting any repair, service or diagnostic work. Power can be present from shore power, generator, inverter or battery. All power sources must be disabled and secured before performing any service.

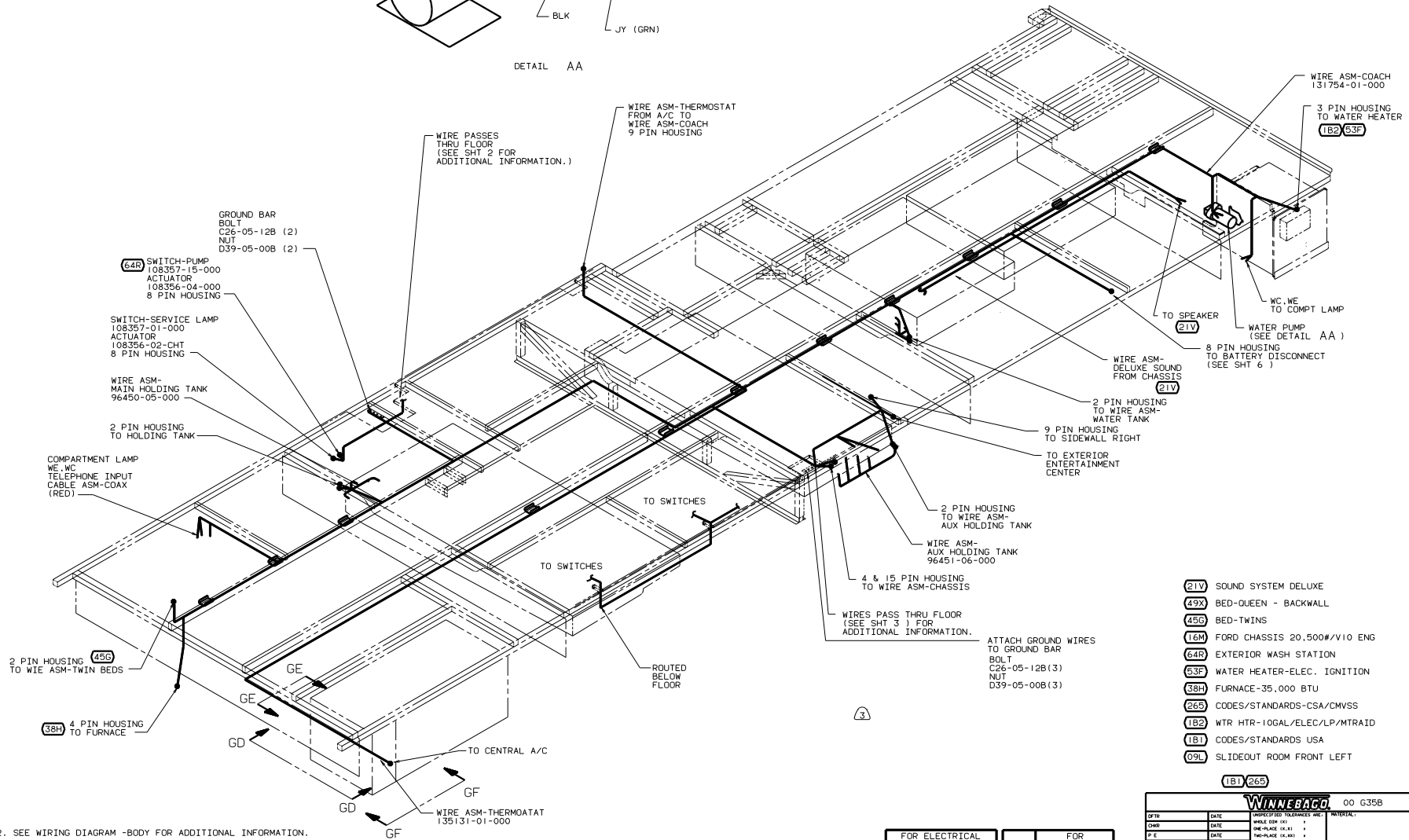


CAUTION

If you lack the skills, tools or equipment to perform diagnostic or repair work leave such work to an authorized Winnebago Industries dealer or other qualified shop.



DETAIL AA



- (21V) SOUND SYSTEM DELUXE
- (49X) BED-QUEEN - BACKWALL
- (45B) BED-TWINS
- (16M) FORD CHASSIS 20.500W/V10 ENG
- (64R) EXTERIOR WASH STATION
- (63F) WATER HEATER-ELEC. IGNITION
- (38H) FURNACE-35,000 BTU
- (26S) CODES/STANDARDS-CSA/CMVSS
- (1B2) WTR HTR-10GAL/ELEC/LP/MTRAIID
- (1B1) CODES/STANDARDS USA
- (09L) SLIDEOUT ROOM FRONT LEFT

2. SEE WIRING DIAGRAM -BODY FOR ADDITIONAL INFORMATION.
 1. ALL WIRES TO BE CLAMPED WITH CLAMP 104495-01-000 OR WIRE TIE 8343-02-000 EVERY 600 MM UNLESS OTHERWISE SPECIFIED.

FOR ELECTRICAL TORQUE SPECIFICATIONS SEE DWG NO. 128763-01-000

(X-X)

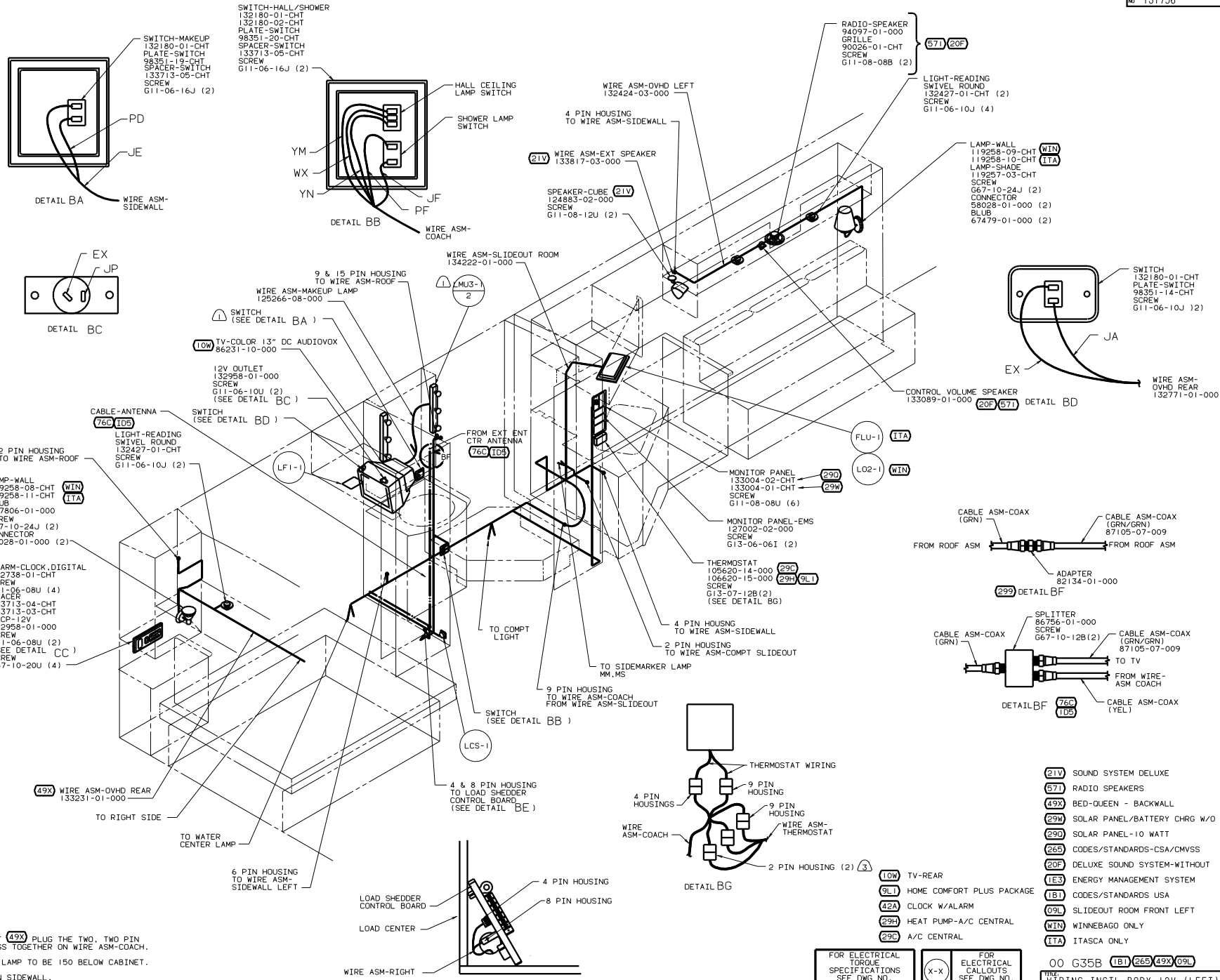
FOR ELECTRICAL CALLOUTS SEE DWG NO. 121339-01-000

WINNEBAGO 00 G358

DATE	UNSPECIFIED TOLERANCES ARE:	MATERIAL
DATE	WHOLE DIM (X)	
DATE	ONE-PLACE (X.X)	
DATE	TWO-PLACE (X.XX)	
DATE	THREE-PLACE (X.XXX)	
DATE	THREE-PLACE (X.XXX)	

WIRING INSTL - BODY, 12V (RF)

SHEET 1 OF 8



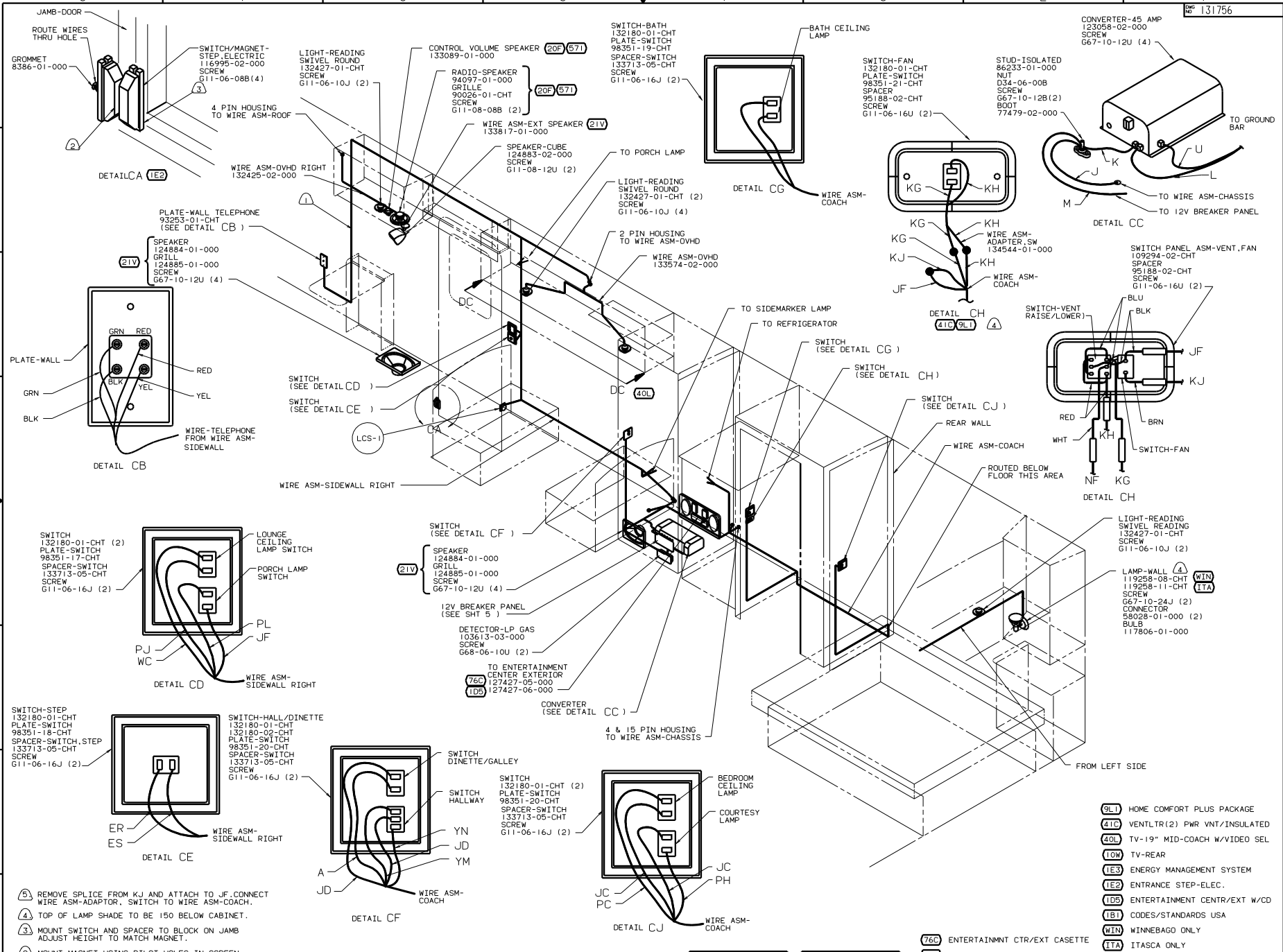
NOTES:
 (3) WITHOUT (49X) PLUG THE TWO, TWO PIN HOUSINGS TOGETHER ON WIRE ASM-COACH.
 (2) TOP OF LAMP TO BE 150 BELOW CABINET.
 (1) WIRE IN SIDEWALL.

- (21V) SOUND SYSTEM DELUXE
- (571) RADIO SPEAKERS
- (49X) BED-QUEEN - BACKWALL
- (29W) SOLAR PANEL/BATTERY CHR9 W/O
- (29D) SOLAR PANEL-10 WATT
- (265) CODES/STANDARDS-CSA/CMVSS
- (20F) DELUXE SOUND SYSTEM-WITHOUT
- (IE3) ENERGY MANAGEMENT SYSTEM
- (1B1) CODES/STANDARDS USA
- (09L) SLIDEOUT ROOM FRONT LEFT
- (WIN) WINNEBAGO ONLY
- (ITA) ITASCA ONLY

FOR ELECTRICAL TORQUE SPECIFICATIONS SEE DWG NO. 128783-01-000

FOR ELECTRICAL CALLOUTS SEE DWG NO. 121339-01-000

00 G35B (1B1) (265) (49X) (09L)
 WIRING INSTL-BODY, 12V (LEFT)
 SHEET 2 OF 8
 131756



- ① WIRE ROUTED IN SIDEWALL.
 ② MOUNT MAGNET USING PILOT HOLES IN SCREEN DOOR FRAME. MOUNT WITH MAGNET TOWARD SWITCH.
 ③ MOUNT SWITCH AND SPACER TO BLOCK ON JAMB ADJUST HEIGHT TO MATCH MAGNET.
 ④ TOP OF LAMP SHADE TO BE 150 BELOW CABINET.
 ⑤ REMOVE SPLICE FROM KJ AND ATTACH TO JF. CONNECT WIRE ASM-ADAPTOR, SWITCH TO WIRE ASM-COACH.

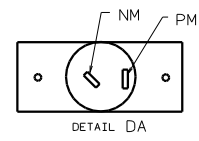
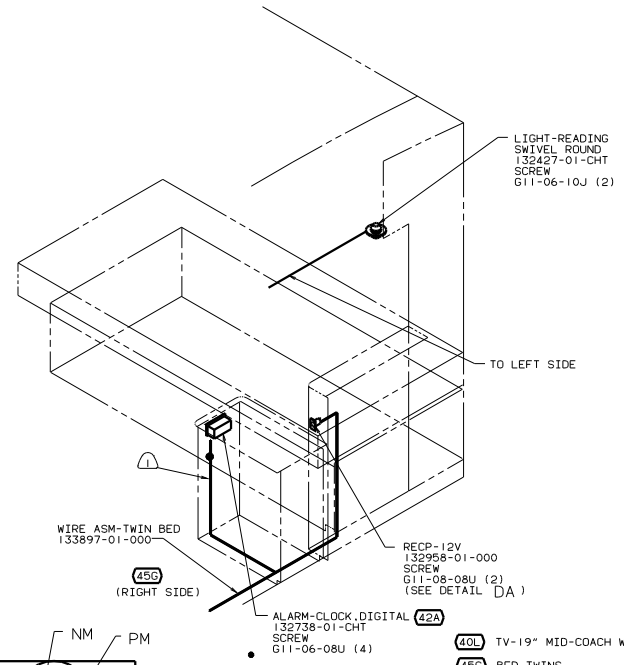
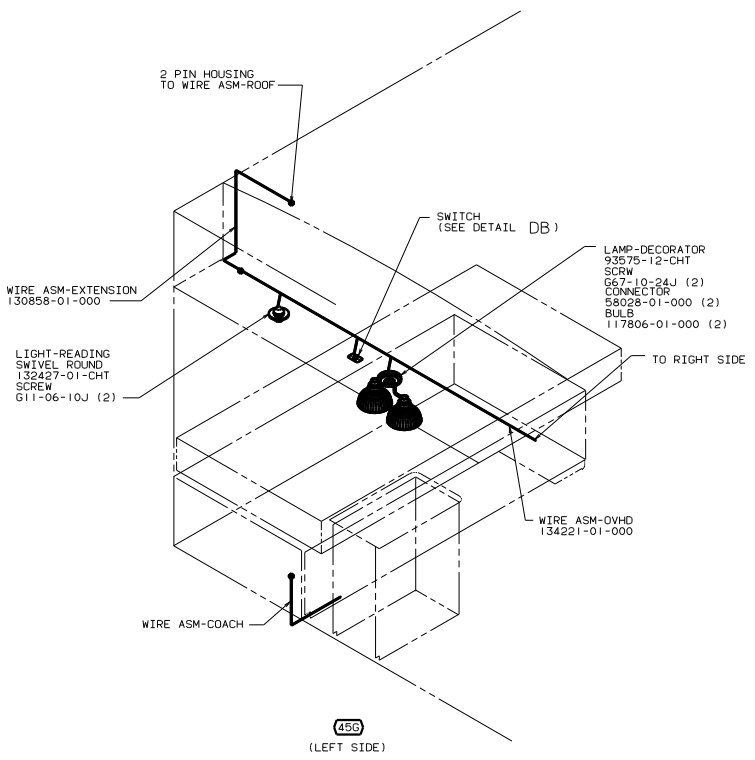
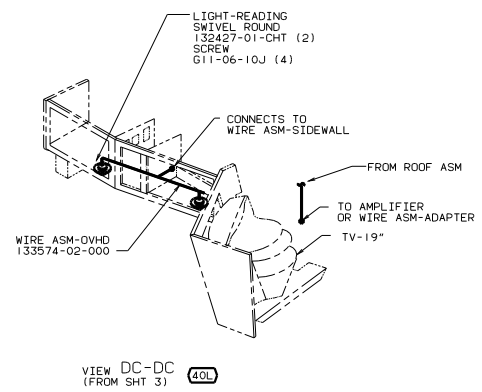
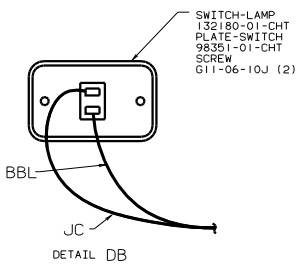
NOTES:

FOR ELECTRICAL CALLOUTS SEE DWG NO. 128783-01-000

X-X FOR ELECTRICAL CALLOUTS SEE DWG NO. 121339-01-000

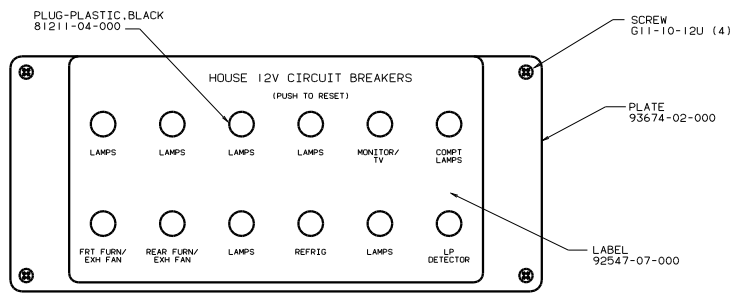
- ⑨L HOME COMFORT PLUS PACKAGE
- ④C VENTLTR(2) PWR VNT/INSULATED
- ④L TV-19" MID-COACH W/VIDEO SEL
- ⑩W TV-REAR
- ①E3 ENERGY MANAGEMENT SYSTEM
- ①E2 ENTRANCE STEP-ELEC.
- ①D5 ENTERTAINMENT CENTR/EXT W/CD
- ①B1 CODES/STANDARDS USA
- ①WIN WINNEBAGO ONLY
- ①TA ITASCA ONLY
- 00 G35B ①B1 ②65 ④9X
- ⑦6C ENTERTAINMENT CTR/EXT CASSETTE
- ④9X BED-QUEEN - BACKWALL
- ②65 CODES/STANDARDS-CSA/CMVSS
- ②1V SOUND SYSTEM DELUXE

WIRING INSTL - BODY 12V (RIGHT)
 SHEET 3 OF 8
 131756

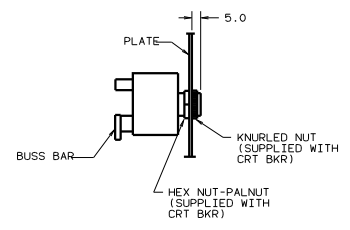


- (40L) TV-19" MID-COACH W/VIDEO SEL
- (45G) BED-TWINS
- (42A) CLOCK W/ALARM
- (265) CODES/STANDARDS-CSA/CMVSS
- (1B1) CODES/STANDARDS USA

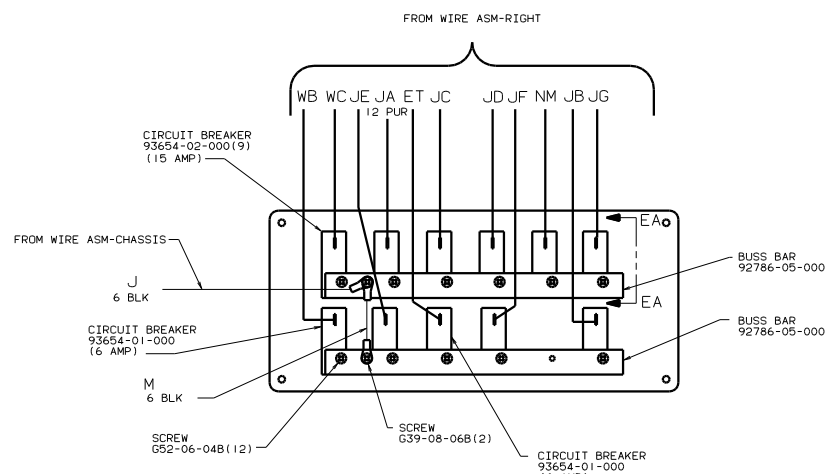
NOTES:
1. COIL UP WIRE BELOW DRAWER WITHOUT 42A



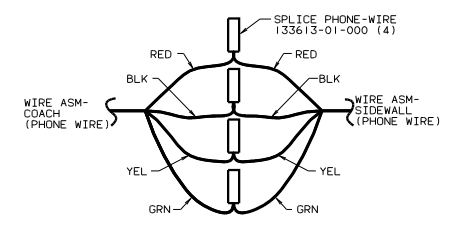
CIRCUIT BREAKER (FRONT VIEW)



SECTION EA-EA



CIRCUIT BREAKER (BACK VIEW)



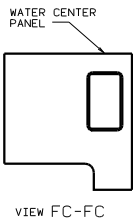
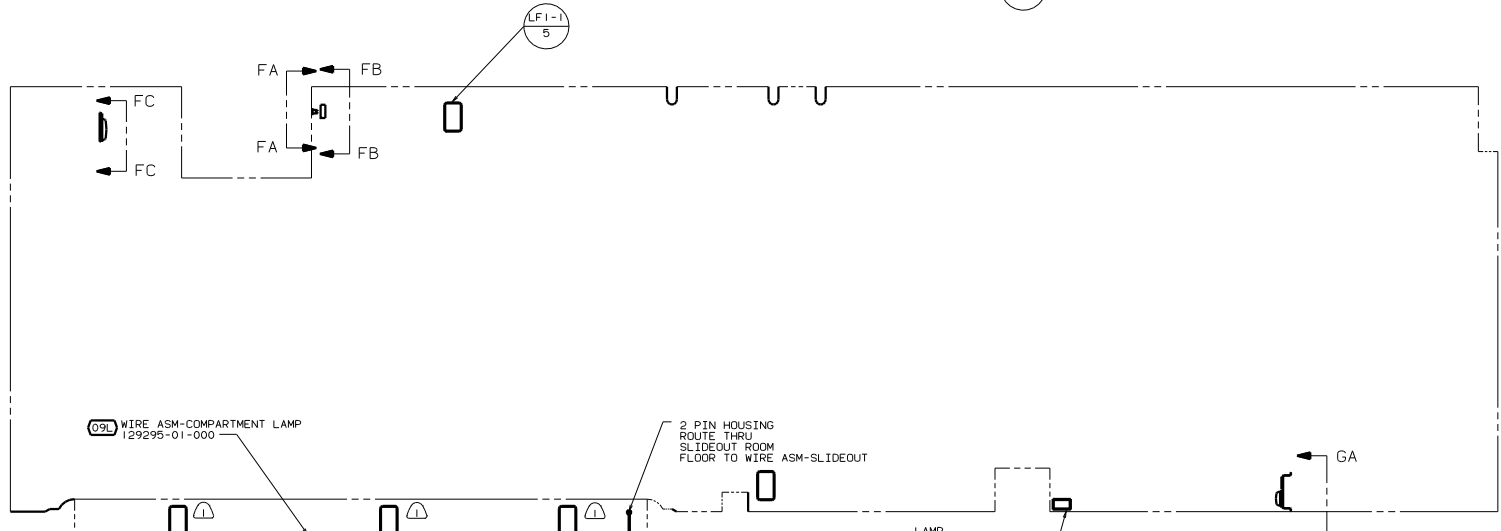
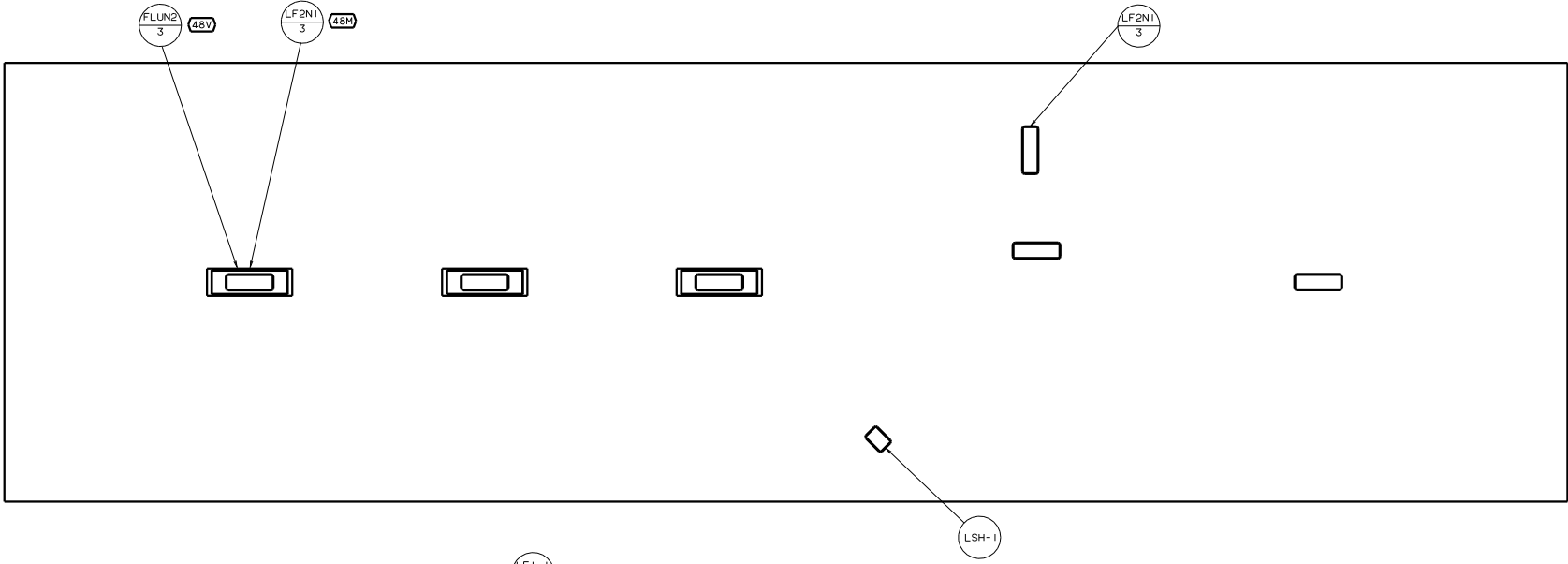
DETAIL DB

NOTES:

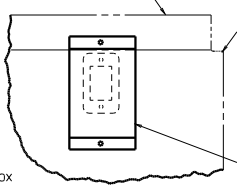
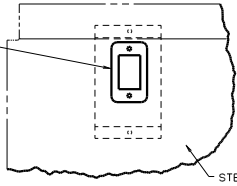
FOR ELECTRICAL TORQUE SPECIFICATIONS SEE DWG NO. 128783-01-000

(265) CODES/STANDARDS-CSA/CMVSS
 (181) CODES/STANDARDS USA
 00 G35B (181) (265)

TITLE	WIRING INSTL-BODY(12 BP)
NO. OF SHEETS	8
SHEET NO.	5
REV	1
DATE	131756



- 091 WIRE ASM-COMPARTMENT LAMP 129295-01-000
- 2 PIN HOUSING ROUTE THRU SLIDEOUT ROOM FLOOR TO WIRE ASM-SLIDEOUT
- SWITCH-BATTERY.DISC 108357-06-000
- ACTUATOR-SWITCH 108356-11-CHT
- PLATE-SWITCH 98351-07-CHT
- SCREW G11-06-16U (2)
- UPPER FLOOR SUPPORT FRAME
- COMPARTMENT SLIDEOUT
- LAMP 86280-01-000
- SCREW G67-10-12U (4)
- CONNECTOR 58028-01-000 (2)



- STEP BOX
- CHANNEL-HAT 135167-01-CHT
- SCREW G39-10-08U (2)

- (48V) LIGHTS-FLUORESCENT
- (48M) LIGHTS-INCANDESCENT
- (265) CODES/STANDARDS-CSA/CMVSS
- (181) CODES/STANDARDS-USA

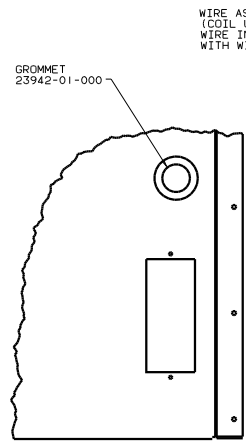
00 G35B (181)(265)

NOTE: 1 LAMPS LOCATED IN SLIDEOUT COMPARTMENTS.

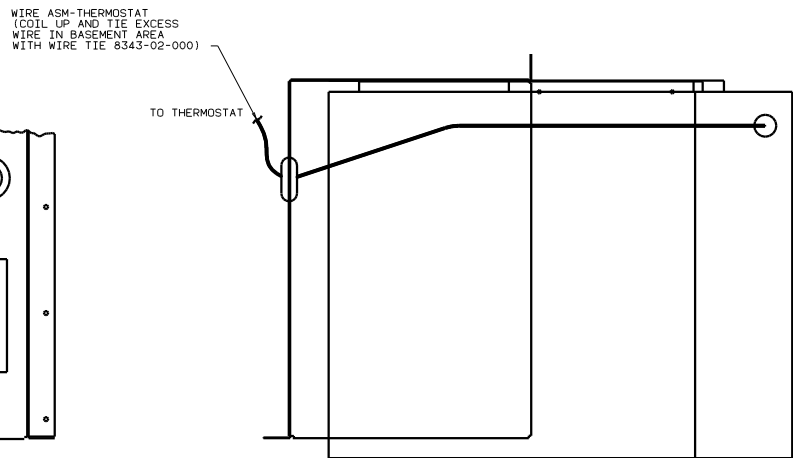
FOR ELECTRICAL TORQUE SPECIFICATIONS SEE DWG NO. 128783-01-000

FOR ELECTRICAL CALLOUTS SEE DWG NO. 121339-01-000

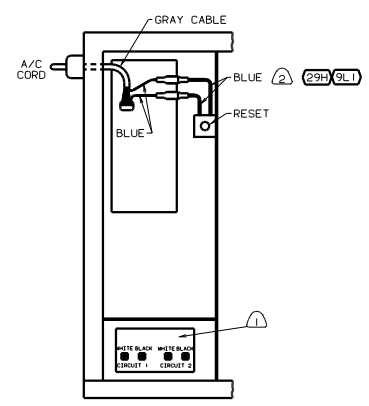
TITLE: WIRING INSTL-BODY,12V (CL) SHEET 6 OF 8 I.E. NO. 131756



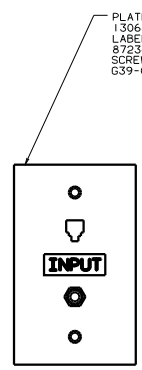
VIEW GE-GE



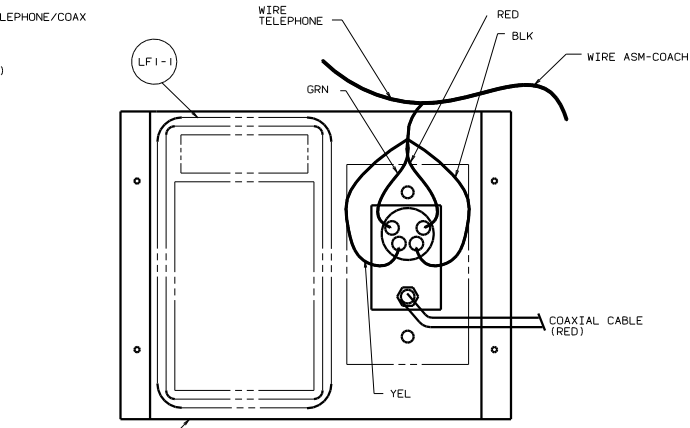
VIEW GD-GD



VIEW GF-GF

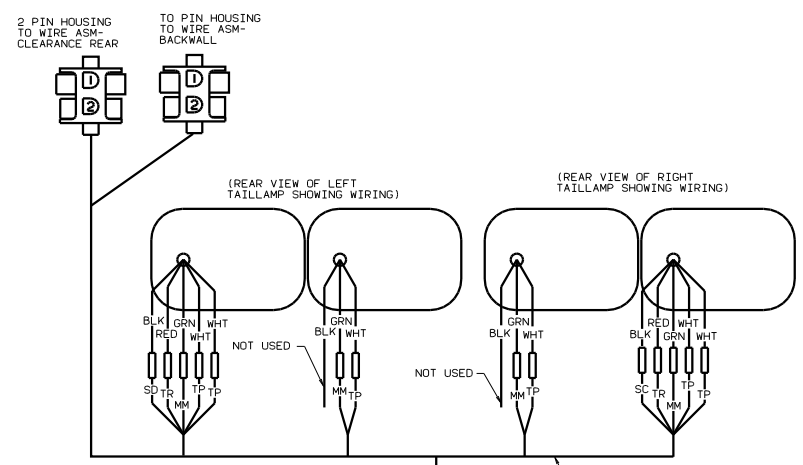


DETAIL GB-GB (FRONT VIEW)



VIEW GA-GA (REAR VIEW)

PANEL-SERVICE
132862-01-CHT
SCREW
G67-10-10U (4)



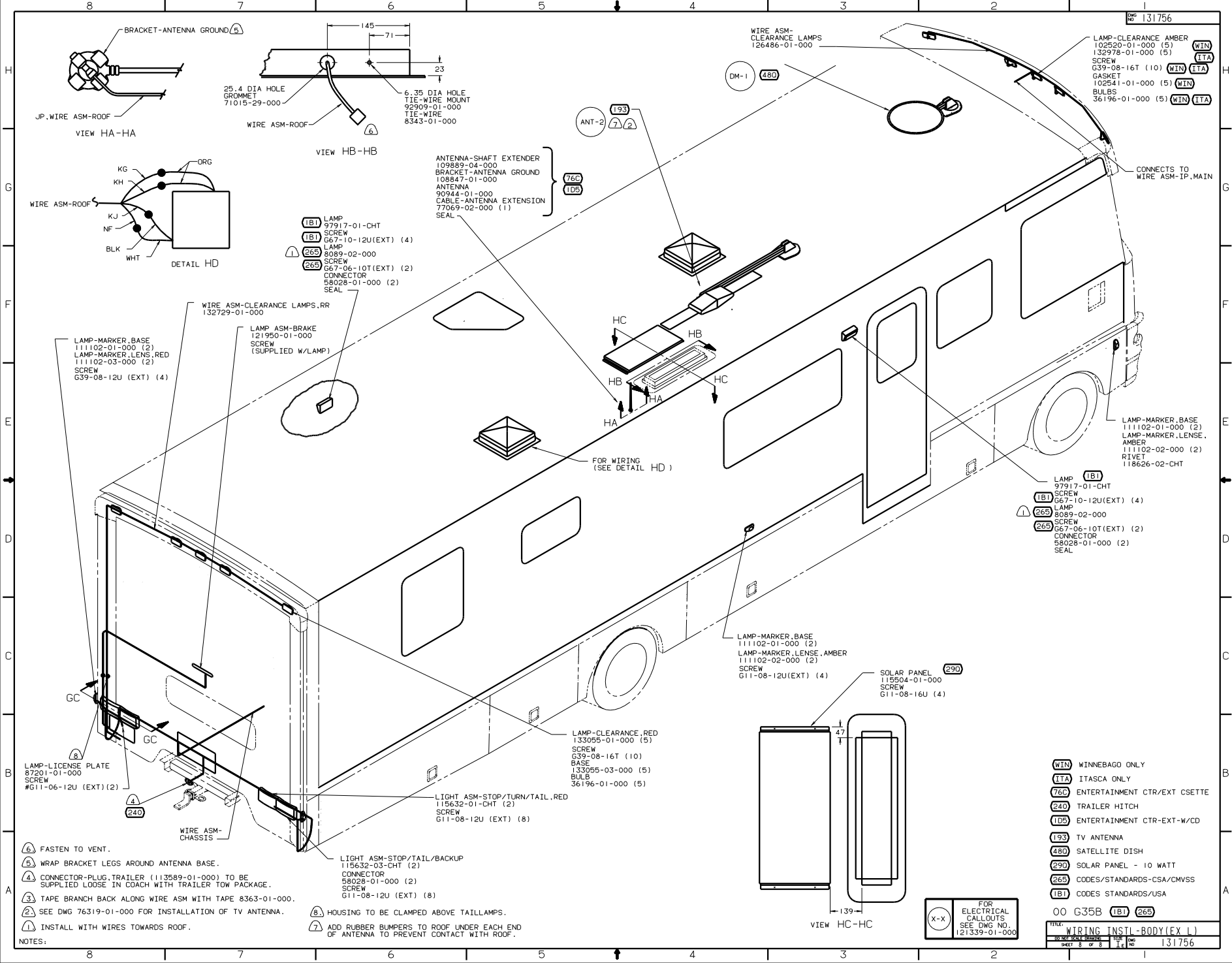
VIEW GC-GC

2. CONNECT BLUE WIRES FROM RESET TO THE BLUE WIRES WITH SPADE TERMINALS ON A/C CORD WITH (29H) & (9L1) FEATURE.
1. SEE WIRING INSTL-BODY.110V FOR ADDITIONAL INFORMATION.

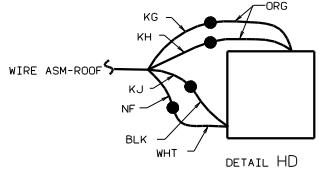
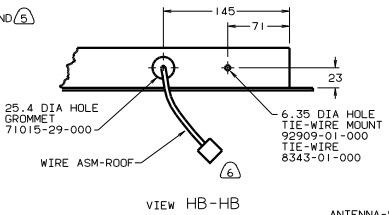
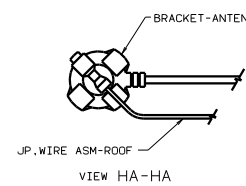
- (9L1) HOME COMFORT PLUS PACKAGE
- (29H) HEAT PUMP-A/C CENTRAL
- (265) CODES/STANDARDS-CSA/CMVSS
- (1B1) CODES/STANDARDS USA

FOR ELECTRICAL CALLOUTS
SEE DWG NO.
121339-01-000

00 G35B (1B1) (265)
WIRING INSTL-BODY.12V (C-A/C)
SHEET 7 OF 8

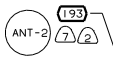


131756



- (1B1) LAMP 97917-01-CHT
- (1B1) SCREW G67-10-12U(EXT) (4)
- (265) LAMP 8089-02-000
- (265) SCREW G67-06-10T(EXT) (2)
- (265) CONNECTOR 58028-01-000 (2)
- SEAL

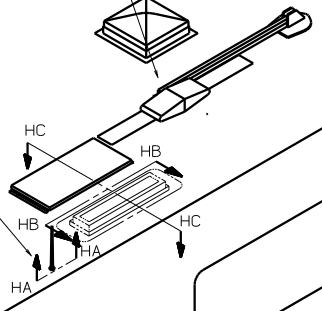
- ANTENNA-SHAFT EXTENDER 109889-04-000
- BRACKET-ANTENNA GROUND 108847-01-000
- ANTENNA 90944-01-000
- CABLE-ANTENNA EXTENSION 77069-02-000 (1)
- SEAL



- LAMP-CLEARANCE AMBER 102520-01-000 (5)
- 132978-01-000 (5)
- SCREW G39-08-16T (10)
- GASKET 102541-01-000 (5)
- BULBS 36196-01-000 (5)

CONNECTS TO WIRE ASM-IP, MAIN

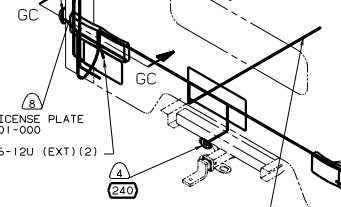
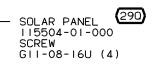
- WIRE ASM-CLEARANCE LAMPS, RR 132729-01-000
- LAMP-ASM-BRAKE 121950-01-000
- SCREW (SUPPLIED W/LAMP)
- LAMP-MARKER, BASE 111102-01-000 (2)
- LAMP-MARKER, LENS, RED 111102-03-000 (2)
- SCREW G39-08-12U (EXT) (4)



FOR WIRING (SEE DETAIL HD)

- LAMP-MARKER, BASE 111102-01-000 (2)
- LAMP-MARKER, LENS, AMBER 111102-02-000 (2)
- RIVET 118626-02-CHT
- LAMP (1B1) 97917-01-CHT
- (1B1) SCREW G67-10-12U(EXT) (4)
- (265) LAMP 8089-02-000
- (265) SCREW G67-06-10T(EXT) (2)
- (265) CONNECTOR 58028-01-000 (2)
- SEAL

- LAMP-MARKER, BASE 111102-01-000 (2)
- LAMP-MARKER, LENS, AMBER 111102-02-000 (2)
- SCREW G11-08-12U(EXT) (4)



- LAMP-LICENSE PLATE 87201-01-000
- SCREW #G11-06-12U (EXT) (2)

- LAMP-CLEARANCE, RED 133055-01-000 (5)
- SCREW G39-08-16T (10)
- BASE 133055-03-000 (5)
- BULB 36196-01-000 (5)

- LIGHT ASM-STOP/TURN/TAIL, RED 115632-01-CHT (2)
- SCREW G11-08-12U (EXT) (8)

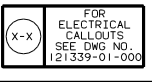
- LIGHT ASM-STOP/TAIL/BACKUP 115632-03-CHT (2)
- CONNECTOR 58028-01-000 (2)
- SCREW G11-08-12U (EXT) (8)

- (6) FASTEN TO VENT.
- (5) WRAP BRACKET LEGS AROUND ANTENNA BASE.
- (4) CONNECTOR-PLUG, TRAILER (113589-01-000) TO BE SUPPLIED LOOSE IN COACH WITH TRAILER TOW PACKAGE.
- (3) TAPE BRANCH BACK ALONG WIRE ASM WITH TAPE 8363-01-000.
- (2) SEE DWG 76139-01-000 FOR INSTALLATION OF TV ANTENNA.
- (1) INSTALL WITH WIRES TOWARDS ROOF.

- (8) HOUSING TO BE CLAMPED ABOVE TAILLAMPS.
- (7) ADD RUBBER BUMPERS TO ROOF UNDER EACH END OF ANTENNA TO PREVENT CONTACT WITH ROOF.

NOTES:

- (WIN) WINNEBAGO ONLY
- (ETA) ITASCA ONLY
- (760) ENTERTAINMENT CTR/EXT CSETTE
- (240) TRAILER HITCH
- (193) ENTERTAINMENT CTR-EXT-W/CD
- (193) TV ANTENNA
- (480) SATELLITE DISH
- (290) SOLAR PANEL - 10 WATT
- (265) CODES/STANDARDS-USA/CMVSS
- (281) CODES STANDARDS-C/SA



TITLE: WIRING INSTL - BODY (EX L)

NO. SHEET 8 OF 8

DATE: 131756