



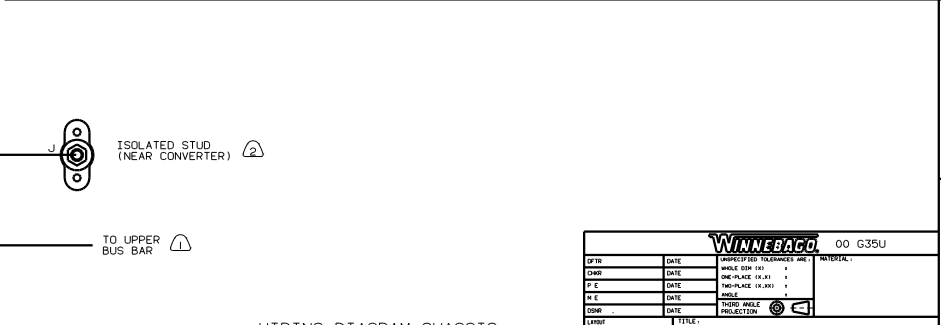
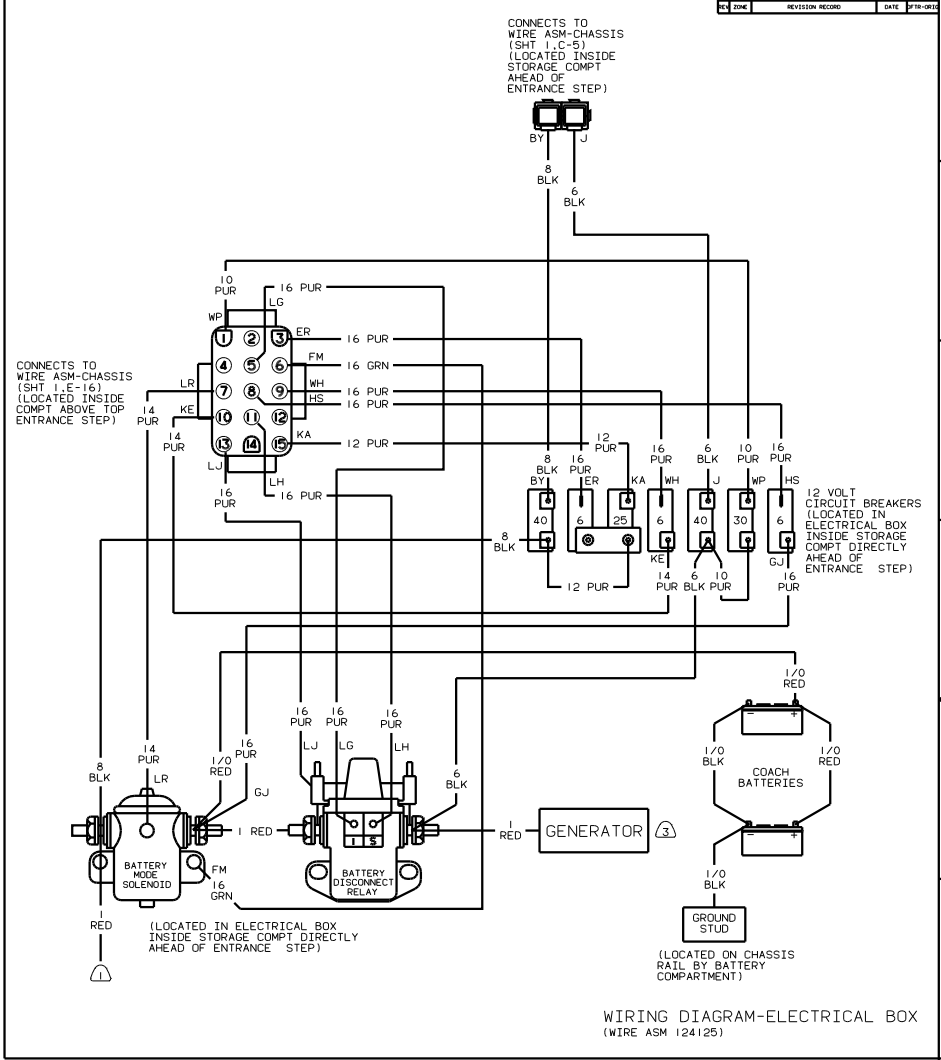
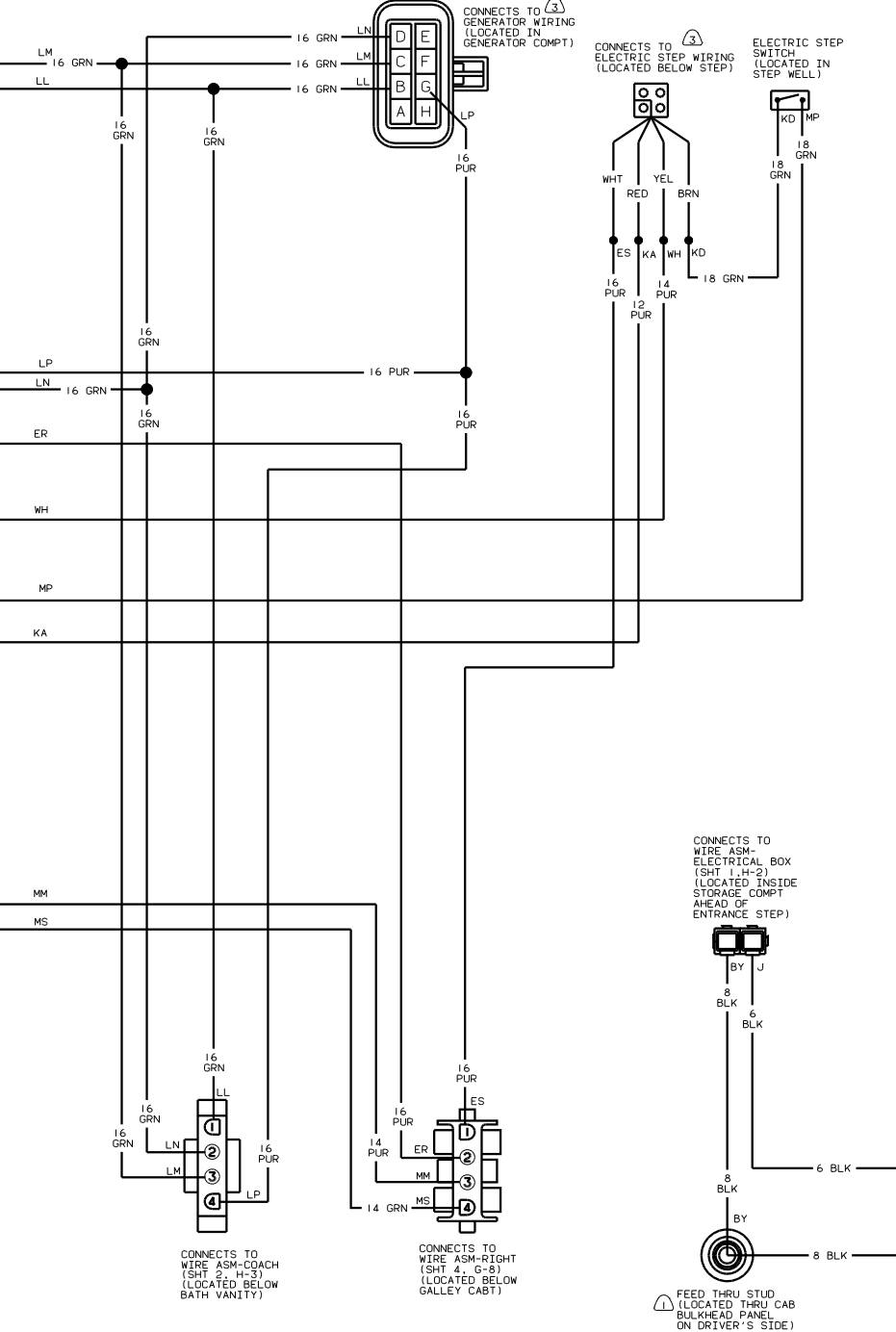
**DANGER**

**Danger of electrical shock, burns or death.** Always remove all power sources before attempting any repair, service or diagnostic work. Power can be present from shore power, generator, inverter or battery. All power sources must be disabled and secured before performing any service.



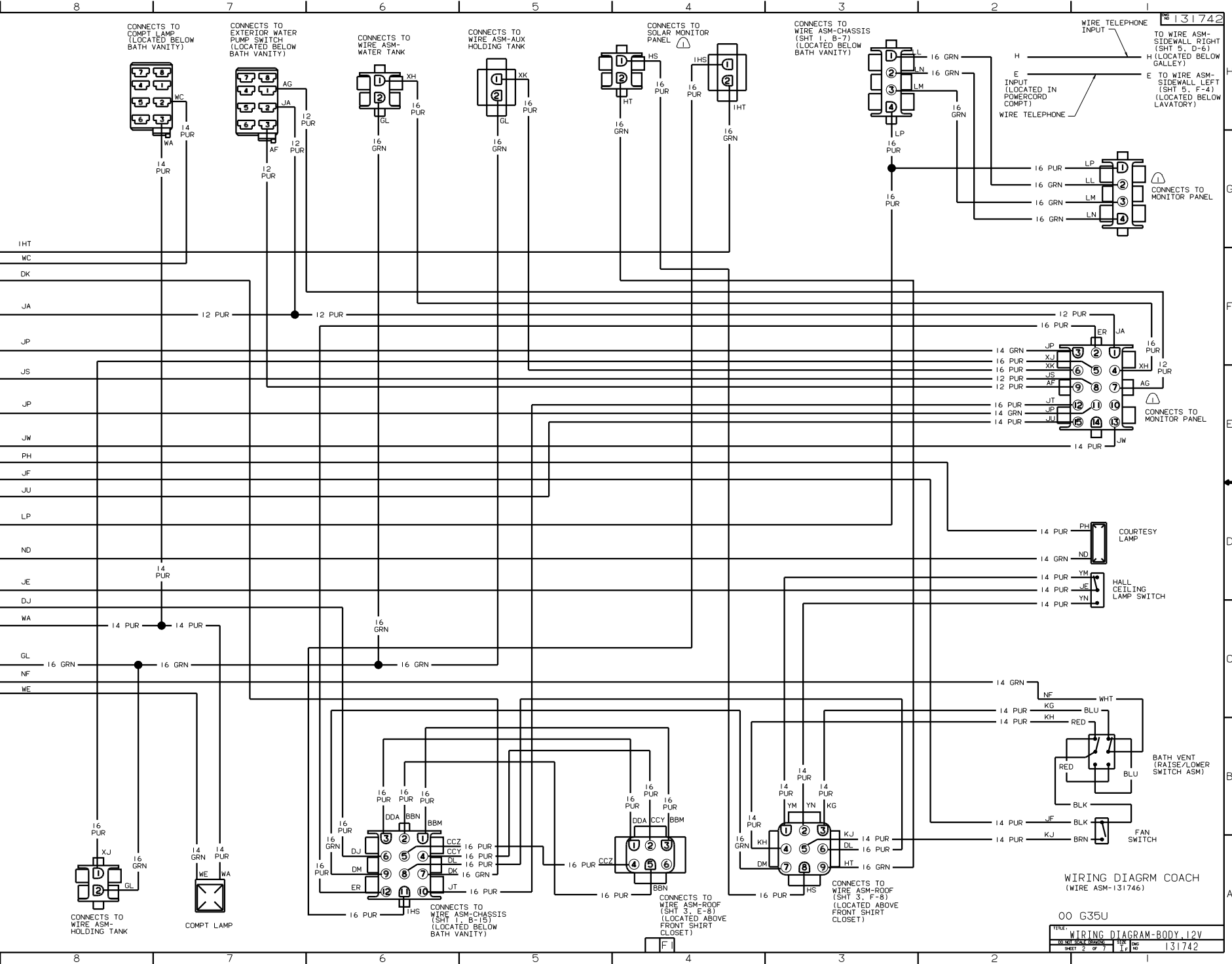
**CAUTION**

If you lack the skills, tools or equipment to perform diagnostic or repair work leave such work to an authorized Winnebago Industries dealer or other qualified shop.

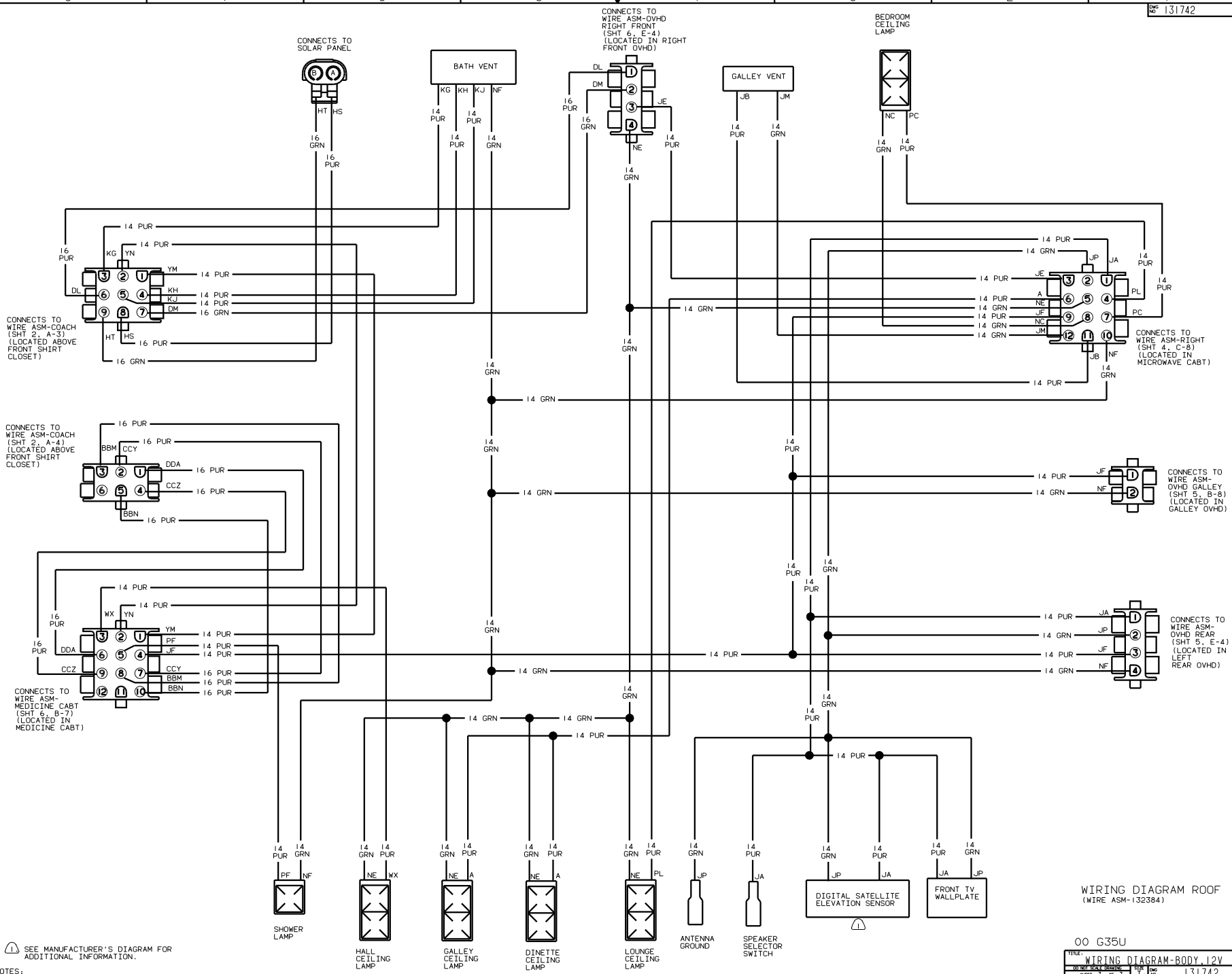


DPTD		DATE	PROCESSED TO RELEASE AND	00 G35U
CMW	DATE	MADE FOR (A1)	MATERIAL	
P.E	DATE	NO-PHASE (A1, A1)		
N.E	DATE	NO-PHASE (A1, A1)		
DATE	DATE	MADE		
DATE	DATE	THIRD MADE		
DATE	DATE	INSPECTION		
LYST	---	TITLE	WIRING DIAGRAM-BODY.12V	
DR #	SCALE	NO. OF SHEETS	SHEET 1 OF 7	131742
ALL DIMENSIONS ARE IN MILLIMETERS		REF: 130514-C 1		









CONNECTS TO WIRE ASM-COACH (SHT 2, A-3) (LOCATED ABOVE FRONT SHIRT CLOSET)

CONNECTS TO WIRE ASM-COACH (SHT 2, A-4) (LOCATED ABOVE FRONT SHIRT CLOSET)

CONNECTS TO WIRE ASM-MEDICINE CABT (SHT 6, B-7) (LOCATED IN MEDICINE CABT)

CONNECTS TO WIRE ASM-OVHD RIGHT FRONT (SHT 6, E-4) (LOCATED IN RIGHT FRONT OVHD)

BEDROOM CEILING LAMP

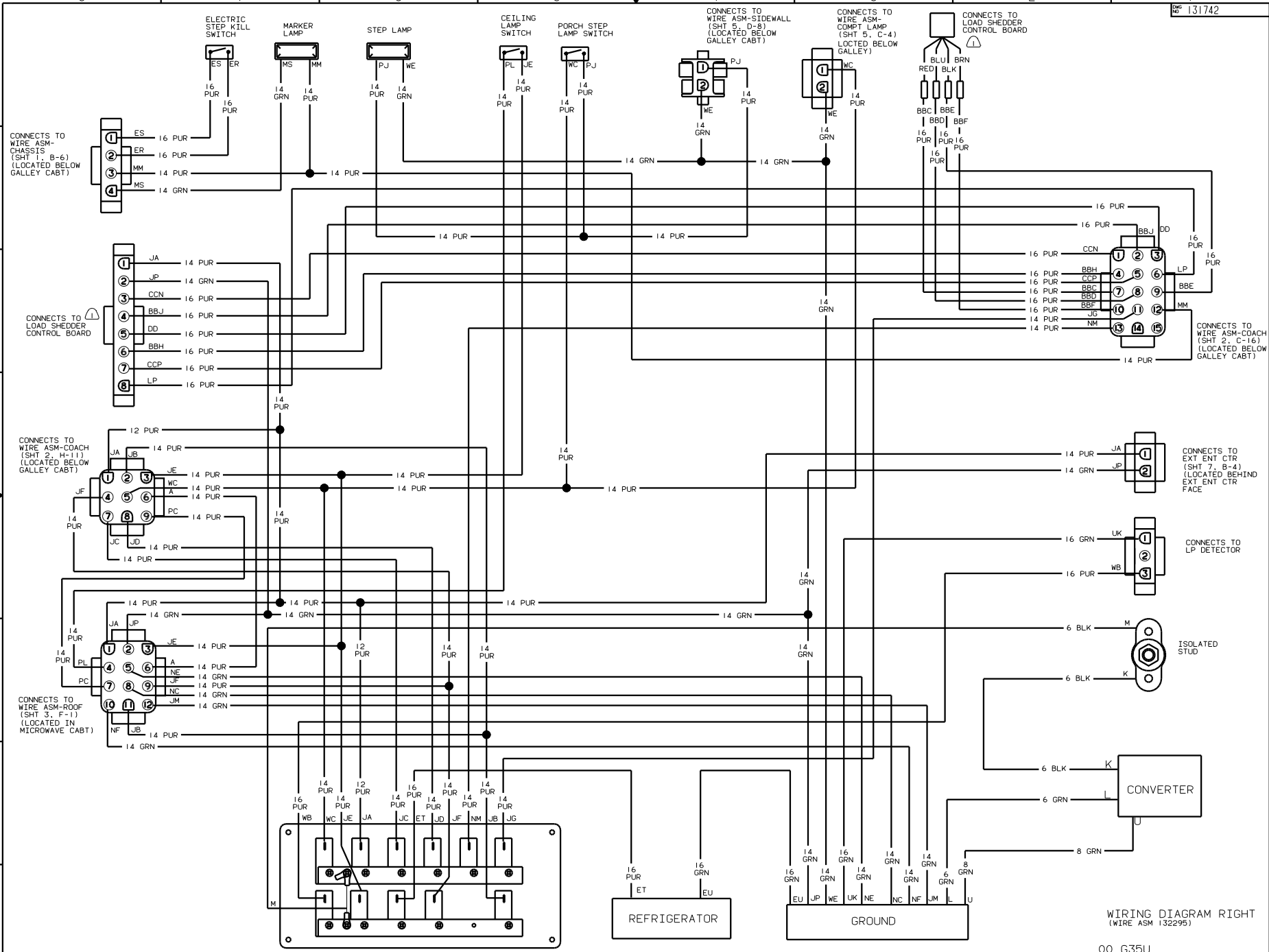
CONNECTS TO WIRE ASM-RIGHT (SHT 4, C-8) (LOCATED IN MICROWAVE CABT)

CONNECTS TO WIRE ASM-OVHD GALLEY (SHT 5, B-8) (LOCATED IN GALLEY OVHD)

CONNECTS TO WIRE ASM-OVHD REAR (SHT 5, E-4) (LOCATED IN LEFT REAR OVHD)

NOTES:  
 1 SEE MANUFACTURER'S DIAGRAM FOR ADDITIONAL INFORMATION.

WIRING DIAGRAM ROOF (WIRE ASM-132384)



NOTES: (1) SEE MANUFACTURER'S DIAGRAM FOR ADDITIONAL INFORMATION.

WIRING DIAGRAM RIGHT (WIRE ASM 132295)

00 G35U	
TITLE: WIRING DIAGRAM-BODY_12V	REV: 1.0
NO. OF SHEETS: 4	SHEET NO. 4 OF 7
DATE: 1/6	131742

