



DANGER

Danger of electrical shock, burns or death. Always remove all power sources before attempting any repair, service or diagnostic work. Power can be present from shore power, generator, inverter or battery. All power sources must be disabled and secured before performing any service.

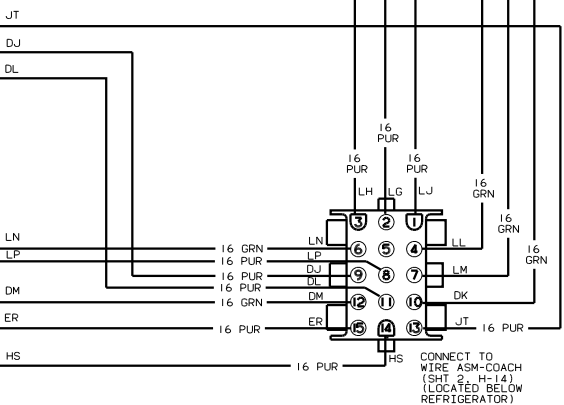
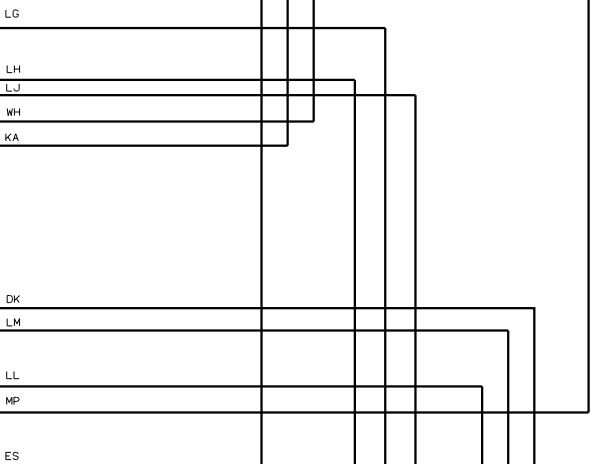
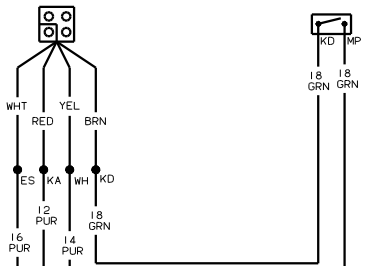


CAUTION

If you lack the skills, tools or equipment to perform diagnostic or repair work leave such work to an authorized Winnebago Industries dealer or other qualified shop.

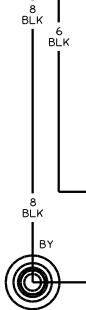
CONNECTS TO
 ELECTRIC
 STEP WIRING
 (BELOW STEP)

ELECTRIC STEP
 SWITCH
 (IN END OF
 GALLEY CABT)



CONNECT TO
 WIRE ASM-COACH
 (SHT 2, H-14)
 (LOCATED BELOW
 REFRIGERATOR)

CONNECTS TO
 WIRE ASM-
 ELECTRICAL BOX
 (SHT 1, H-2)
 (INSIDE ELECTRICAL
 BOX ABOVE)

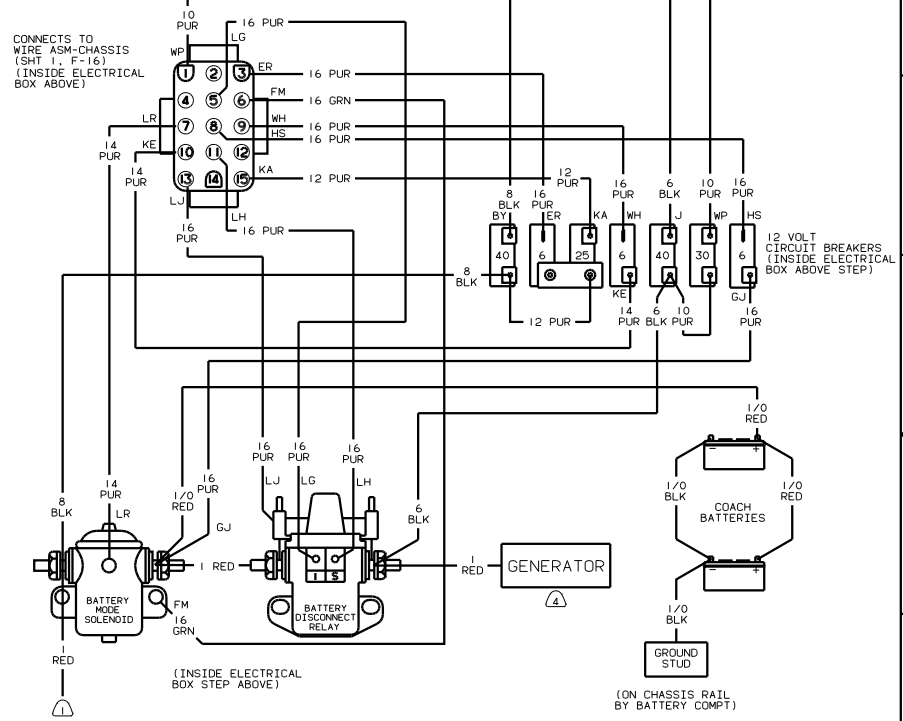


FEED THRU STUD
 (THRU CAB BULKHEAD
 PANEL ON DRIVER'S SIDE)

CONNECTS TO
 WIRE ASM-CHASSIS
 (SHT 1, C-5)
 (INSIDE COMPT
 AHEAD OF STEP)



CONNECTS TO
 WIRE ASM-CHASSIS
 (SHT 1, F-16)
 (INSIDE ELECTRICAL
 BOX ABOVE)



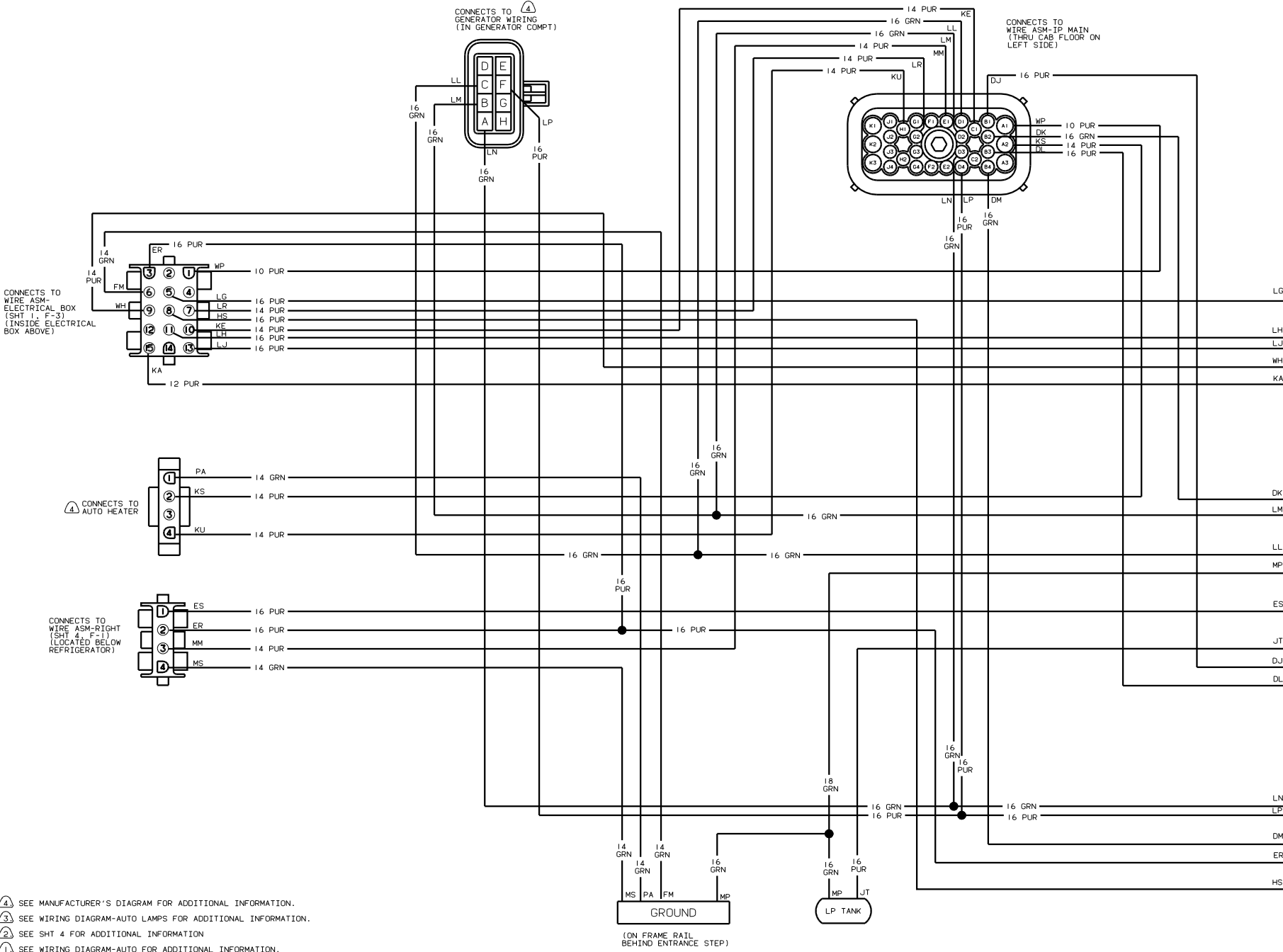
WIRING DIAGRAM-ELECTRICAL BOX
 (WIRE ASM 124125)

WIRING DIAGRAM-CHASSIS
 (WIRE ASM 131739-01)

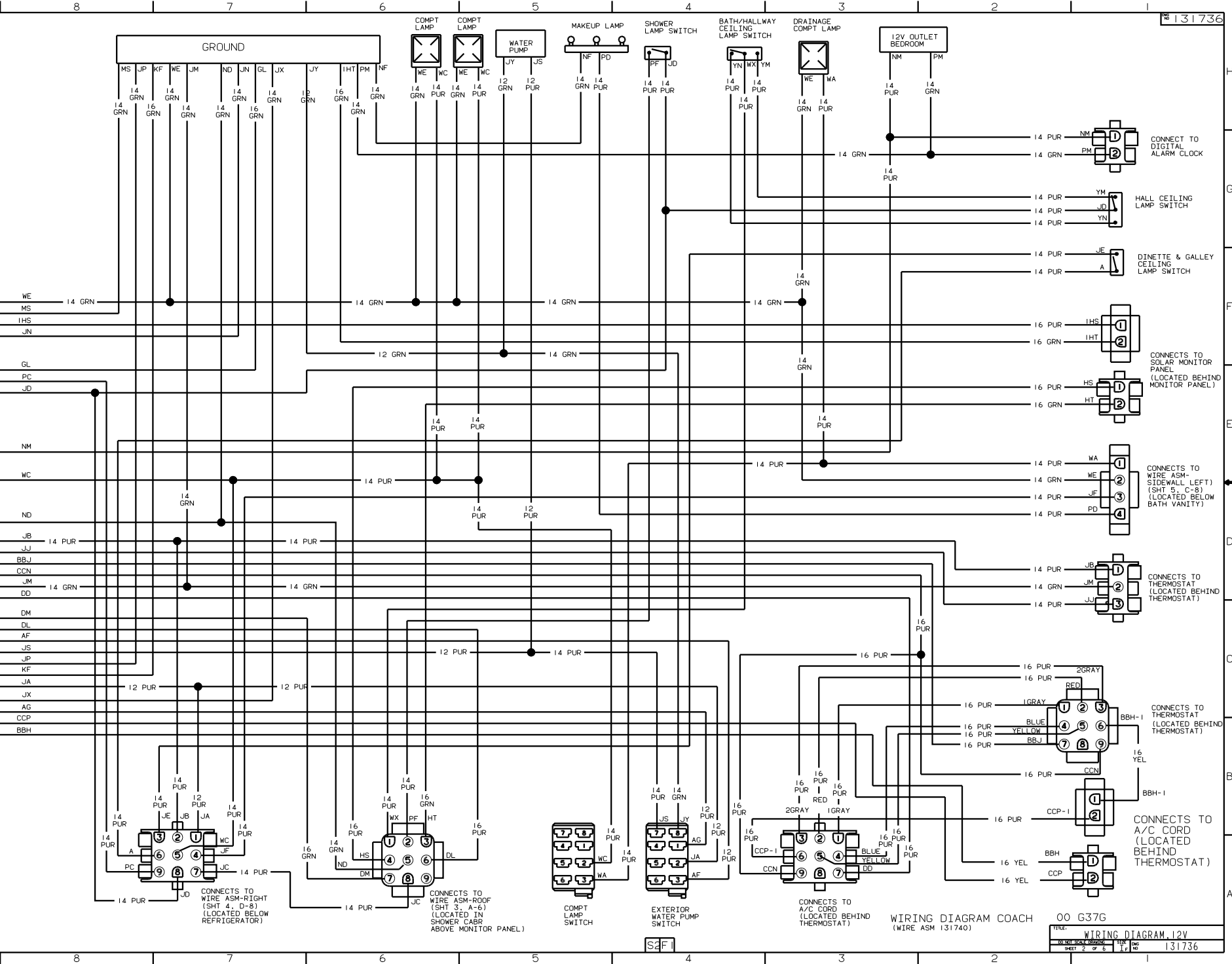
DPTD		DATE	UNDESIGNED TOLERANCES ARE	MATERIAL
DRW	DATE	DRW	ONE-PLACE (1X,1X)	
P.E.	DATE	DRW	TWO-PLACE (1X,1X)	
CHK	DATE	DRW	ASSEMBLY	
APP	DATE	DRW	THIRD PLACE	
REV	DATE	DRW	REVISION	
LAYOUT		TITLE: WIRING DIAGRAM-BODY.12V		
DRW	SCALE: NONE	NO. OF SHEETS: 1	SHEET 1 OF 6	131736

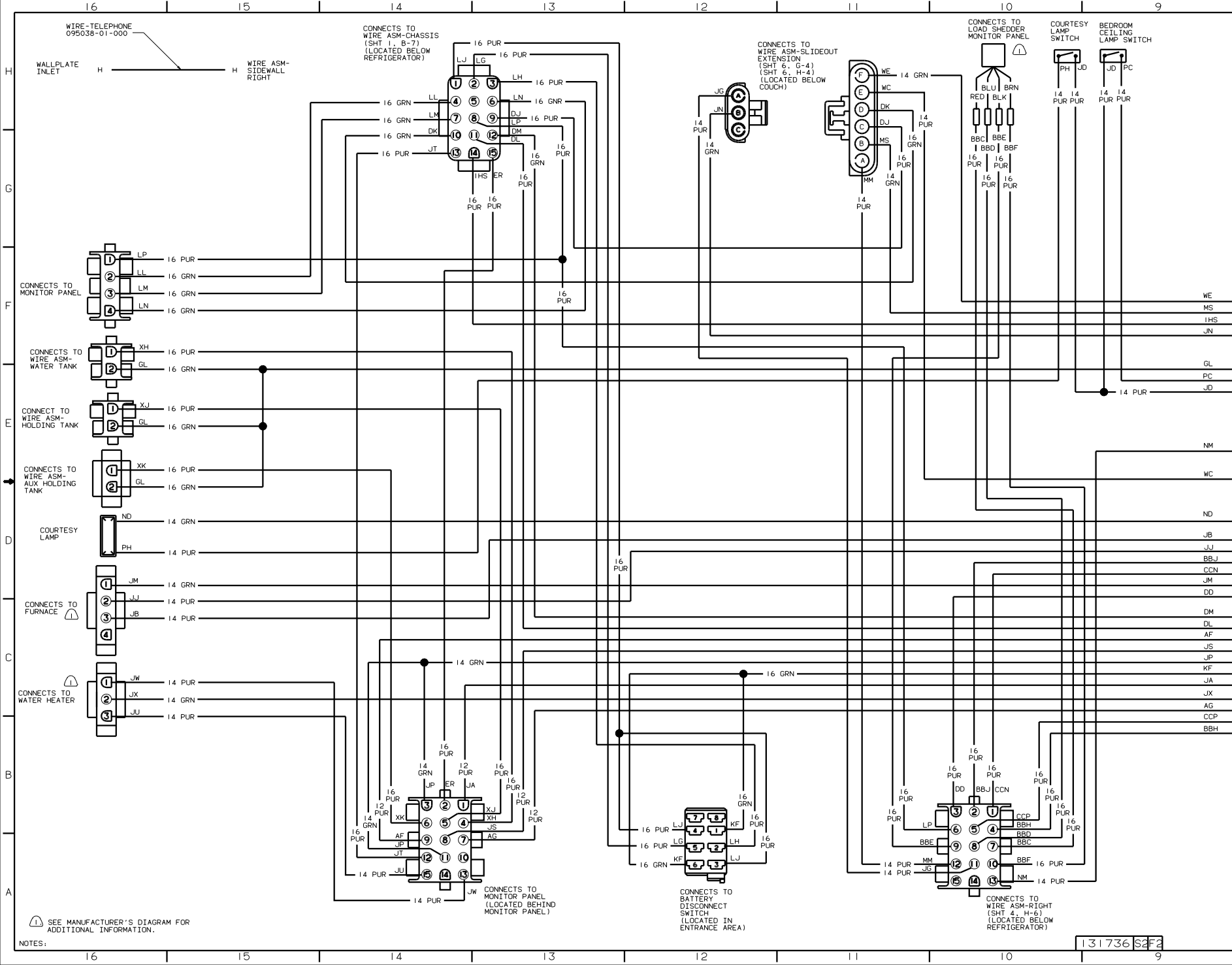


00 G37G



- NOTES:
- ④ SEE MANUFACTURER'S DIAGRAM FOR ADDITIONAL INFORMATION.
 - ③ SEE WIRING DIAGRAM-AUTO LAMPS FOR ADDITIONAL INFORMATION.
 - ② SEE SHT 4 FOR ADDITIONAL INFORMATION
 - ① SEE WIRING DIAGRAM-AUTO FOR ADDITIONAL INFORMATION.





WIRE-TELEPHONE
095038-01-000

CONNECTS TO
WIRE ASM-CHASSIS
(SHT 1, B-7)
(LOCATED BELOW
REFRIGERATOR)

CONNECTS TO
WIRE ASM-SLIDEOUT
EXTENSION
(SHT 6, G-4)
(SHT 6, H-4)
(LOCATED BELOW
COUCH)

CONNECTS TO
LOAD SHEDDER
MONITOR PANEL

COURTESY
LAMP
SWITCH

BEDROOM
CEILING
LAMP
SWITCH

CONNECTS TO
MONITOR PANEL

CONNECTS TO
WIRE ASM-
WATER TANK

CONNECT TO
WIRE ASM-
HOLDING TANK

CONNECTS TO
WIRE ASM-
AUX HOLDING
TANK

COURTESY
LAMP

CONNECTS TO
FURNACE

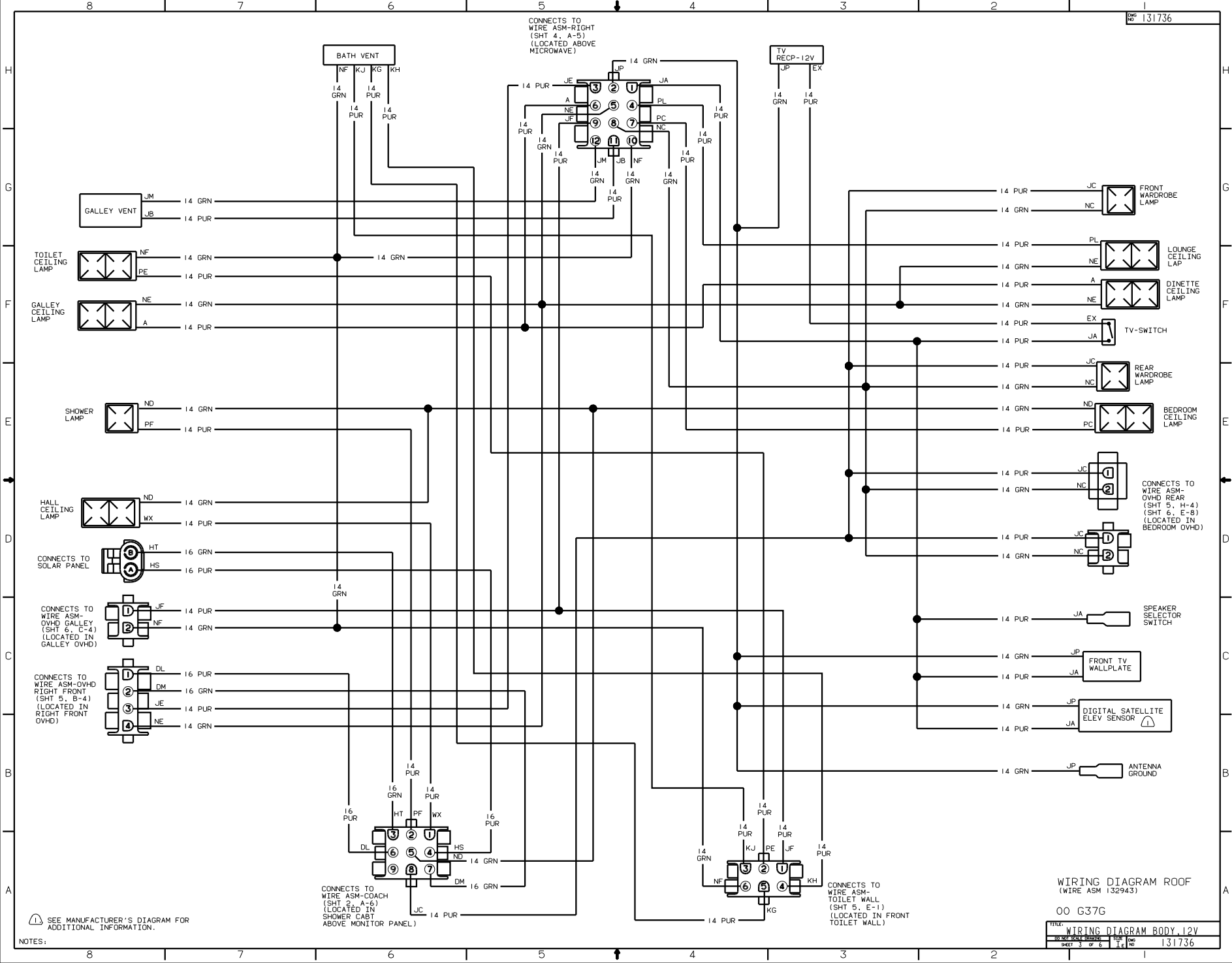
CONNECTS TO
WATER HEATER

CONNECTS TO
MONITOR PANEL
(LOCATED BEHIND
MONITOR PANEL)

CONNECTS TO
BATTERY
DISCONNECT
SWITCH
(LOCATED IN
ENTRANCE AREA)

CONNECTS TO
WIRE ASM-RIGHT
(SHT 4, H-6)
(LOCATED BELOW
REFRIGERATOR)

NOTES:
SEE MANUFACTURER'S DIAGRAM FOR
ADDITIONAL INFORMATION.



CONNECTS TO WIRE ASM-RIGHT (SHT 4, A-5) (LOCATED ABOVE MICROWAVE)

TV RECIP-12V

BATH VENT

GALLEY VENT

TOILET CEILING LAMP

GALLEY CEILING LAMP

SHOWER LAMP

HALL CEILING LAMP

CONNECTS TO SOLAR PANEL

CONNECTS TO WIRE ASM-OVHD GALLEY (SHT 6, C-4) (LOCATED IN GALLEY OVHD)

CONNECTS TO WIRE ASM-OVHD RIGHT FRONT (SHT 5, B-4) (LOCATED IN RIGHT FRONT OVHD)

CONNECTS TO WIRE ASM-COACH (SHT 2, A-6) (LOCATED IN SHOWER CABT ABOVE MONITOR PANEL)

CONNECTS TO WIRE ASM-TOILET WALL (SHT 5, E-1) (LOCATED IN FRONT TOILET WALL)

FRONT WARDROBE LAMP

LOUNGE CEILING LAP

DINETTE CEILING LAMP

TV-SWITCH

REAR WARDROBE LAMP

BEDROOM CEILING LAMP

CONNECTS TO WIRE ASM-OVHD REAR (SHT 5, H-4) (SHT 6, E-8) (LOCATED IN BEDROOM OVHD)

SPEAKER SELECTOR SWITCH

FRONT TV WALLPLATE

DIGITAL SATELLITE ELEV SENSOR

ANTENNA GROUND

WIRING DIAGRAM ROOF (WIRE ASM 132943)

00 G37G

TITLE: WIRING DIAGRAM BODY_12V	
DATE: 11/16/10	REV: 1.6
SHEET: 3 OF 6	DWG NO: 131736

NOTES: SEE MANUFACTURER'S DIAGRAM FOR ADDITIONAL INFORMATION.

CONNECTS TO WIRE ASM-COACH (SHT 2, A-10) (LOCATED BELOW REFRIGERATOR)

GROUND

ISOLATED STUD

ELECTRIC STEP KILL SWITCH

CONNECTS TO LOAD SHEDDER CONTROL BOARD

MARKER LAMP

CONNECTS TO WIRE ASM-COACH (SHT 2, A-7) (LOCATED BELOW REFRIGERATOR)

PORCH STEP LAMP SWITCH

CEILING LAMP SWITCH

COMPARTMENT LAMP

STEP LAMP

REFRIGERATOR

CONNECTS TO WIRE ASM-ROOF (SHT 3, H-5) (LOCATED ABOVE MICROWAVE)

12V BREAKER PANEL (LOCATED IN GALLEY CABT)

WIRING DIAGRAM RIGHT (WIRE ASM 132295)

00 G37G

WIRING DIAGRAM BODY_12V

NOTES: SEE MANUFACTURER'S DIAGRAM FOR ADDITIONAL INFORMATION.

