



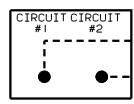
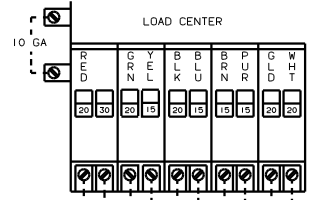
DANGER

Danger of electrical shock, burns or death. Always remove all power sources before attempting any repair, service or diagnostic work. Power can be present from shore power, generator, inverter or battery. All power sources must be disabled and secured before performing any service.



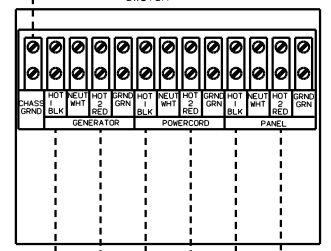
CAUTION

If you lack the skills, tools or equipment to perform diagnostic or repair work leave such work to an authorized Winnebago Industries dealer or other qualified shop.

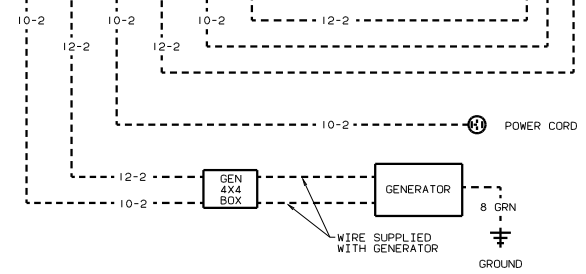


CENTRAL AIR UNIT (LOCATED IN RIGHT REAR COMPARTMENT BELOW FLOOR)

AUTOMATIC TRANSFER SWITCH

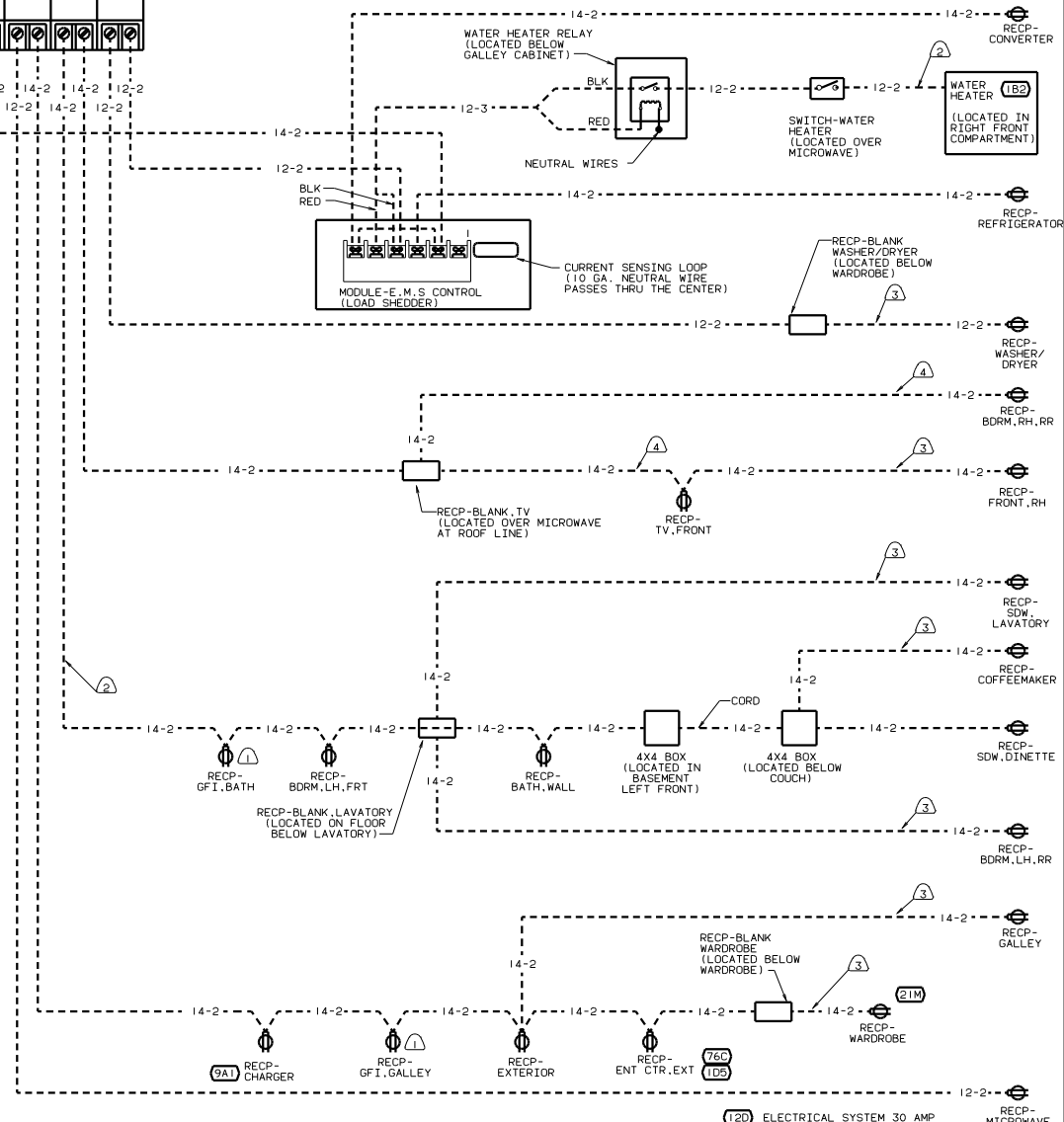


8 GRN GROUND



- ④ WIRE IN ROOF
- ③ WIRE IN SIDEWALL
- ② WIRE BELOW FLOOR
- ⚠ ALL OUTLETS DOWN STREAM AND INCLUDING THIS OUTLET ARE GROUND FAULT INTERRUPT PROTECTED.

NOTES:



- ②1M WASH-DRYER PREP
- 9A1 ACCESSORY PACKAGE
- 76C ENTERTAINMENT CTR/EXT CASSETTE
- 1D5 ENTERTAINMENT CTR/EXT W/CD
- 1B2 WTR HTR-10GAL/ELEC/LP/MTR/TRAID

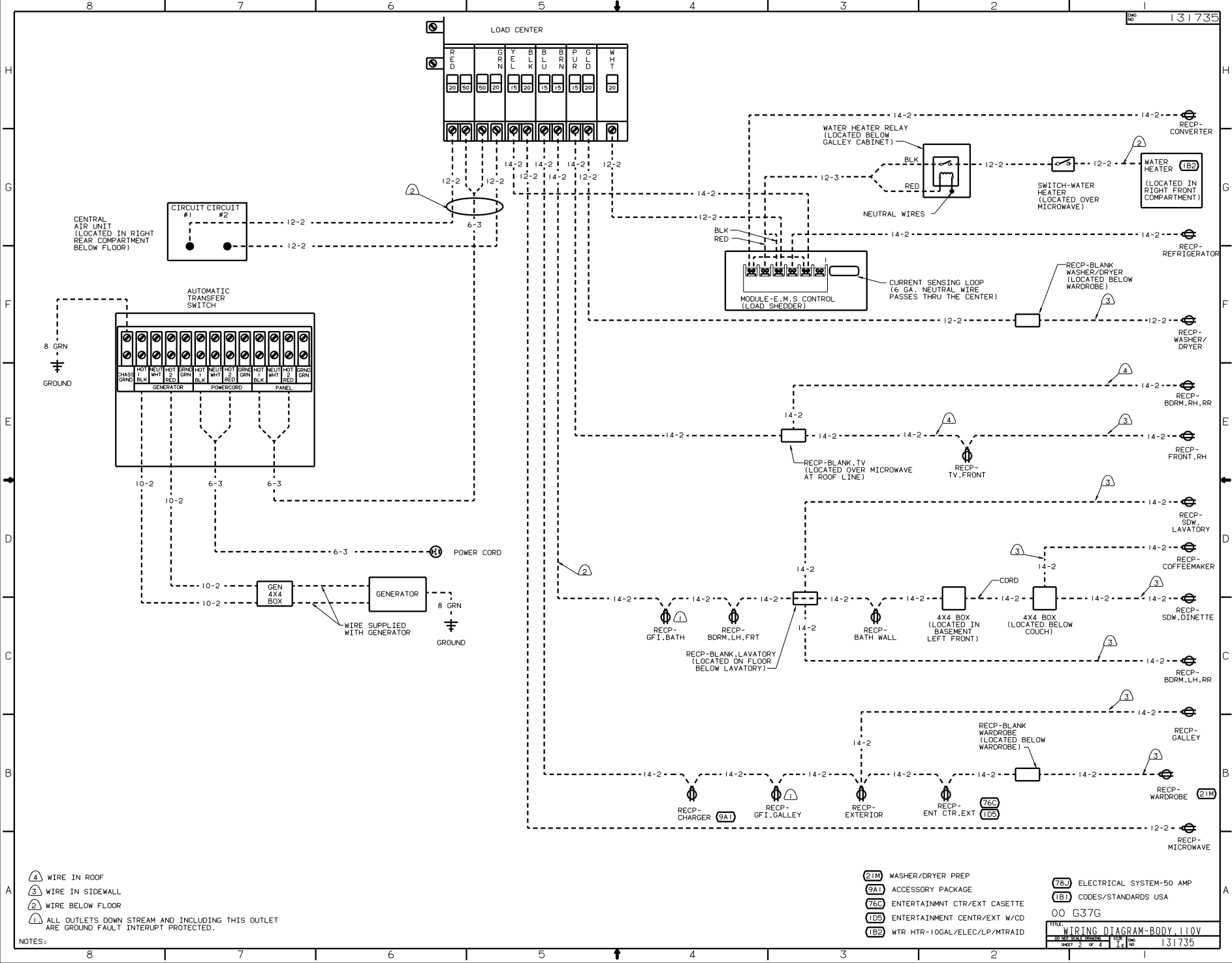
①20 ELECTRICAL SYSTEM 30 AMP
①B1 CODES/STANDARDS USA

WINNEBAGO 00 G37G

DATE	UNDESIGNED TOLERANCES ARE:	MATERIAL
DATE	WHOLE OR 1/2"	
DATE	ONE-PLACE (1/32)"	
DATE	TWO-PLACE (1/64)"	
DATE	THREE-PLACE (1/128)"	
DATE	FOUR-PLACE (1/256)"	
DATE	FIVE-PLACE (1/512)"	
DATE	SIX-PLACE (1/1024)"	
DATE	SEVEN-PLACE (1/2048)"	
DATE	EIGHT-PLACE (1/4096)"	
DATE	NINE-PLACE (1/8192)"	
DATE	TEN-PLACE (1/16384)"	

WIRING DIAGRAM-BODY 110V

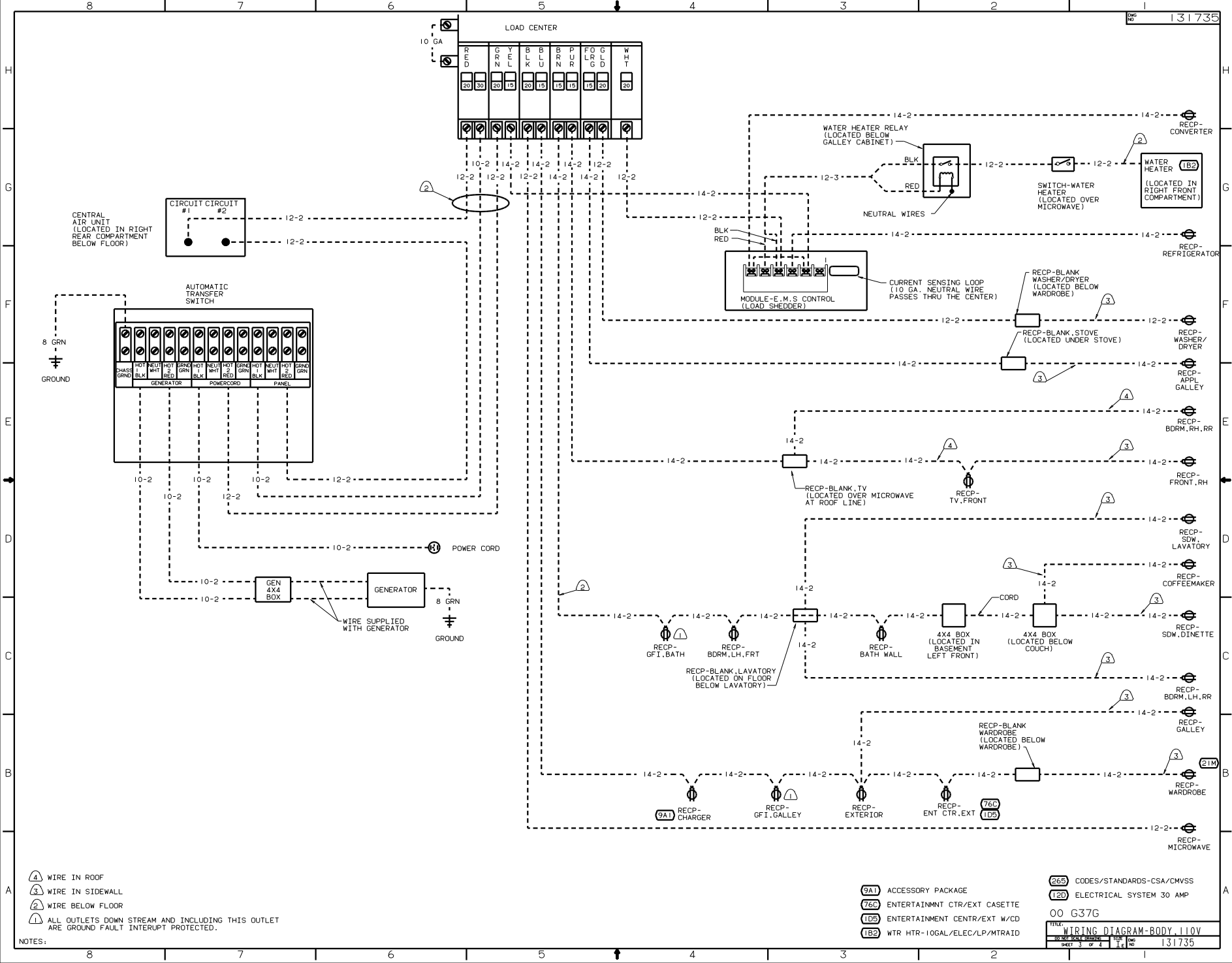
SHEET 1 OF 4



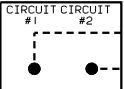
(4) WIRE IN ROOF
 (3) WIRE IN SIDEWALL
 (2) WIRE BELOW FLOOR
 (1) ALL OUTLETS DOWN STREAM AND INCLUDING THIS OUTLET ARE GROUND FAULT INTERRUPT PROTECTED.

- (21M) WASHER/DRYER PREP
- (9A1) ACCESSORY PACKAGE
- (76C) ENTERTAINMNT CTR/EXT CASSETTE
- (105) ENTERTAINMENT CTR/EXT W/CD
- (182) WTR HTR-10GAL/ELEC/LP/MTR/TRAID
- (78U) ELECTRICAL SYSTEM-50 AMP
- (181) CODES/STANDARDS USA

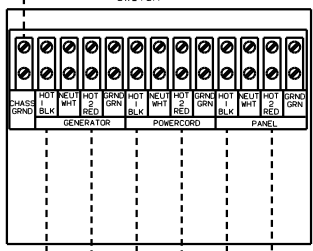
00 G37G
 TITLE: WIRING DIAGRAM-BODY, 110V
 SHEET 2 OF 4
 131735



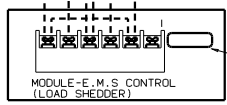
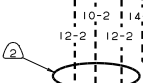
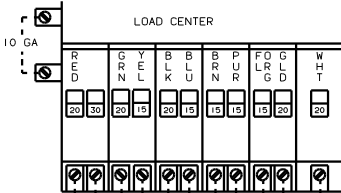
CENTRAL AIR UNIT
(LOCATED IN RIGHT REAR COMPARTMENT BELOW FLOOR)



AUTOMATIC TRANSFER SWITCH

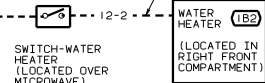


8 GRN
GROUND



NEUTRAL WIRES

WATER HEATER RELAY
(LOCATED BELOW GALLEY CABINET)



SWITCH-WATER HEATER
(LOCATED OVER MICROWAVE)

RECP-CONVERTER

WATER HEATER (1B2)
(LOCATED IN RIGHT FRONT COMPARTMENT)

RECP-REFRIGERATOR

RECP-BLANK WASHER/DRYER
(LOCATED BELOW WARDROBE)

RECP-BLANK STOVE
(LOCATED UNDER STOVE)

RECP-WASHER/DRYER

RECP-APPL GALLEY

RECP-BDRM, RH, RR

RECP-FRONT, RH

RECP-SDW, LAVATORY

RECP-COFFEEMAKER

RECP-SDW, DINETTE

RECP-BDRM, LH, RR

RECP-GALLEY

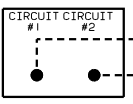
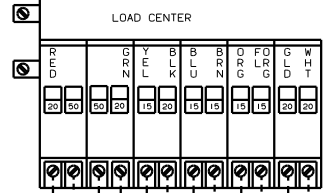
RECP-WARDROBE

RECP-MICROWAVE

- NOTES:
- ④ WIRE IN ROOF
 - ③ WIRE IN SIDEWALL
 - ② WIRE BELOW FLOOR
 - ① ALL OUTLETS DOWN STREAM AND INCLUDING THIS OUTLET ARE GROUND FAULT INTERRUPT PROTECTED.

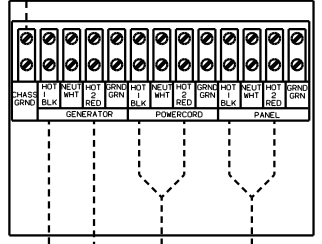
- 9A1 ACCESSORY PACKAGE
- 76C ENTERTAINMENT CTR/EXT CASSETTE
- 1D5 ENTERTAINMENT CTR/EXT W/CD
- 1B2 WTR HTR-10GAL/ELEC/LP/M/TRAID
- 265 CODES/STANDARDS-CSA/CMVSS
- 12D ELECTRICAL SYSTEM 30 AMP

00 G37G
 TITLE: WIRING DIAGRAM-BODY, 110V
 SHEET 3 OF 4



CENTRAL AIR UNIT
(LOCATED IN RIGHT REAR COMPARTMENT BELOW FLOOR)

AUTOMATIC TRANSFER SWITCH



8 GRN
GROUND

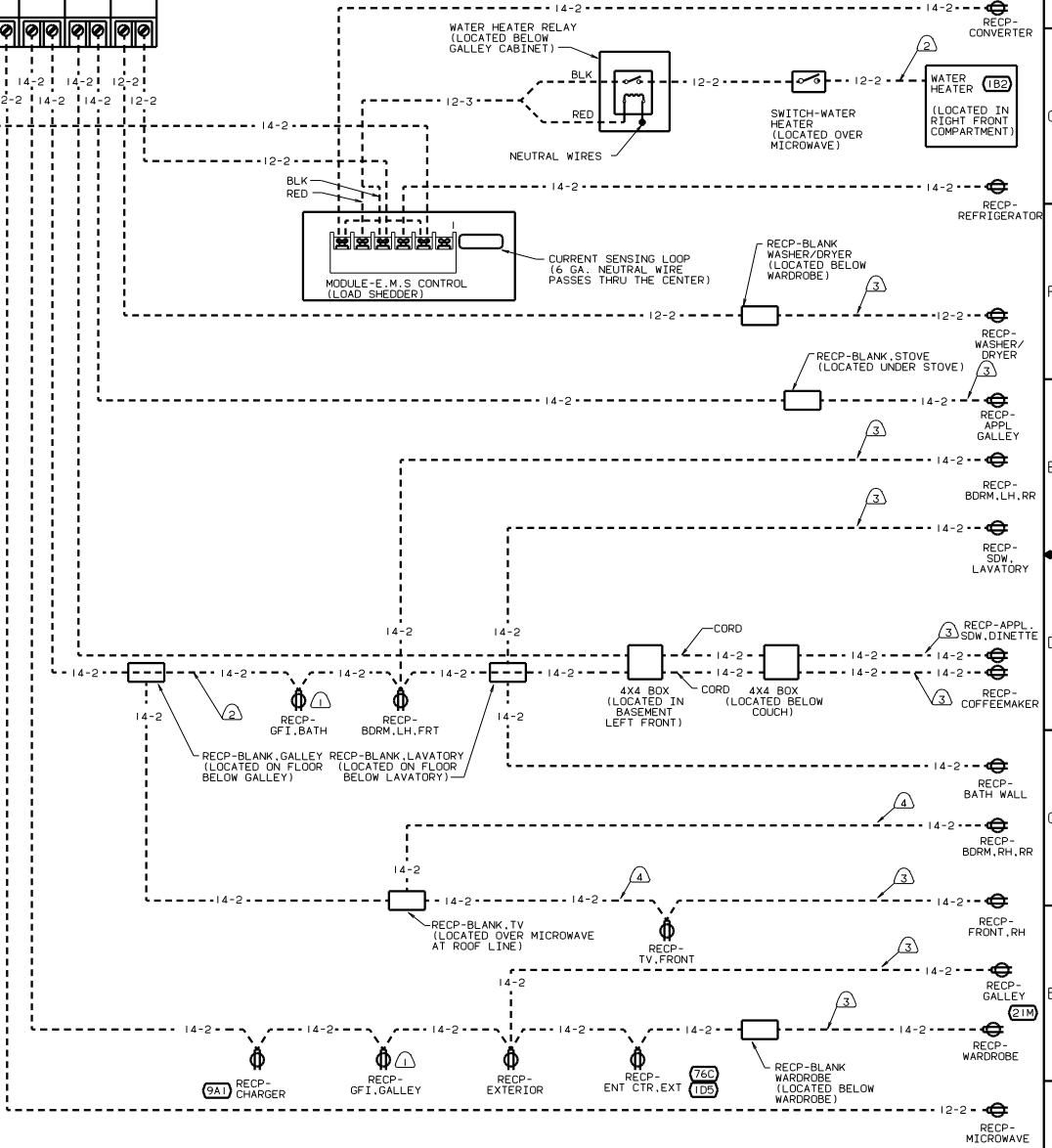
GEN 4X4 BOX

GENERATOR

8 GRN
GROUND

WIRE SUPPLIED WITH GENERATOR

POWER CORD



- ④ WIRE IN ROOF
- ③ WIRE IN SIDEWALL
- ② WIRE BELOW FLOOR
- ① ALL OUTLETS DOWN STREAM AND INCLUDING THIS OUTLET ARE GROUND FAULT INTERRUPT PROTECTED.

- 9A1 ACCESSORY PACKAGE
- 76C ENTERTAINMENT CTR/EXT CASSETTE
- 1D5 ENTERTAINMENT CTR/EXT W/CD
- 1B2 WTR HTR-10GAL/ELEC/LP/MTR/RAID
- 78J ELECTRICAL SYSTEM-50 AMP
- 265 CODES/STANDARDS-CSA/CMVSS

00 G37G

WIRING DIAGRAM-BODY 110V

NO. 100 200 300 400 500 600 700 800 900 1000

SHEET 4 OF 4

131735