



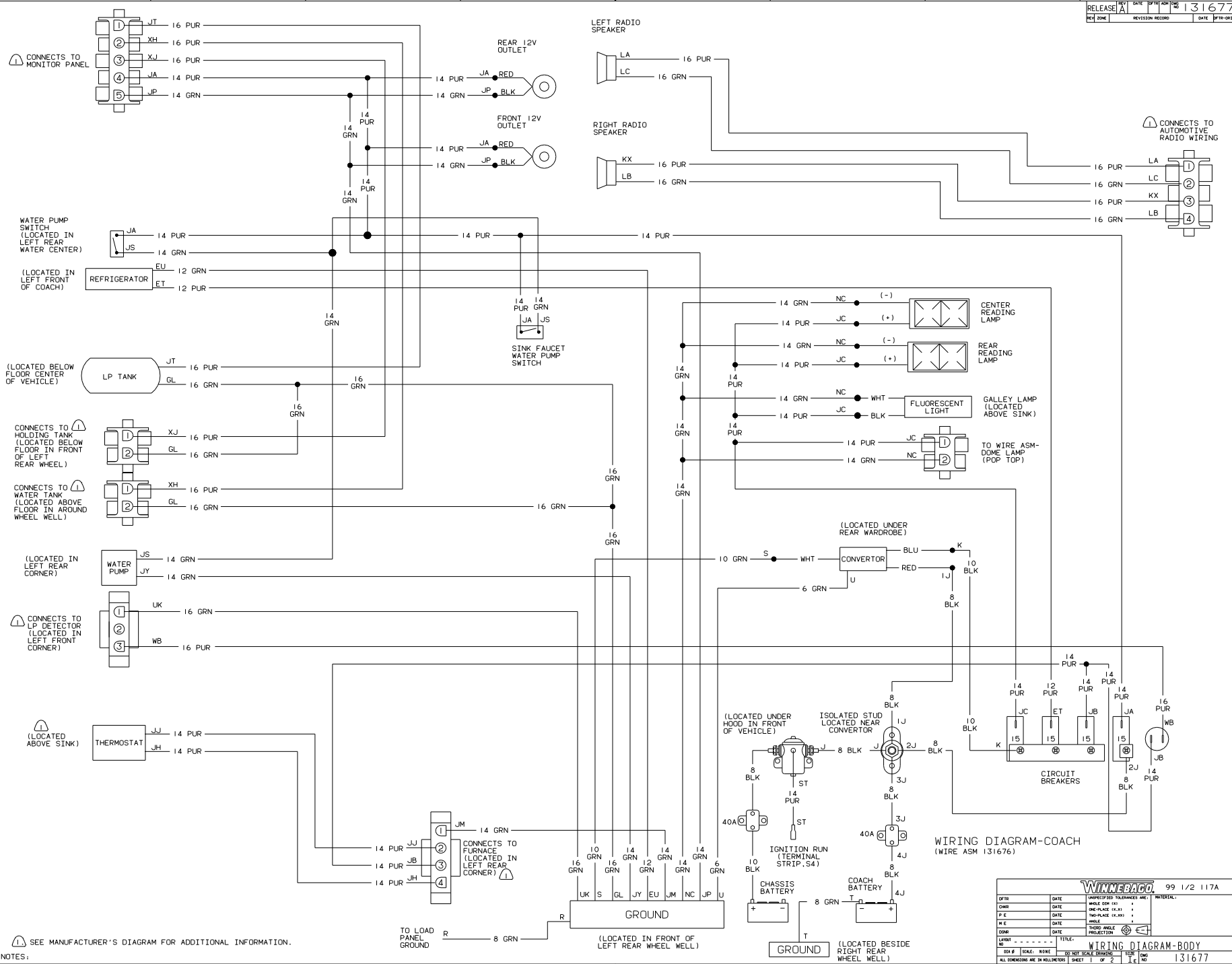
DANGER

Danger of electrical shock, burns or death. Always remove all power sources before attempting any repair, service or diagnostic work. Power can be present from shore power, generator, inverter or battery. All power sources must be disabled and secured before performing any service.



CAUTION

If you lack the skills, tools or equipment to perform diagnostic or repair work leave such work to an authorized Winnebago Industries dealer or other qualified shop.

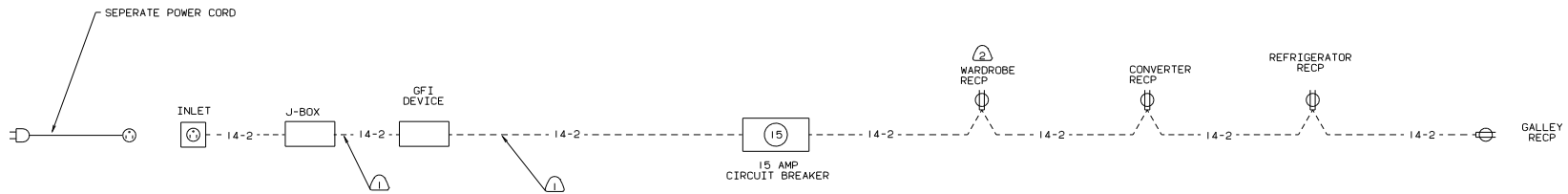


WIRING DIAGRAM-COACH
(WIRE ASM 131676)

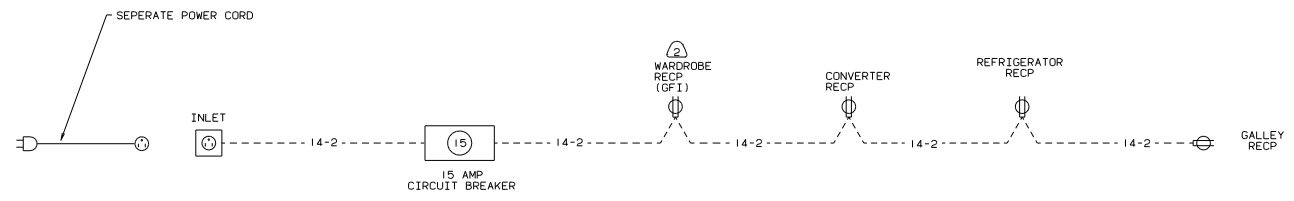
DATE		UNSPECIFIED TOLERANCES ARE:	MATERIAL
DATE	DATE	UNSPECIFIED TOLERANCES ARE:	MATERIAL
DATE	DATE	UNSPECIFIED TOLERANCES ARE:	MATERIAL
DATE	DATE	UNSPECIFIED TOLERANCES ARE:	MATERIAL
DATE	DATE	UNSPECIFIED TOLERANCES ARE:	MATERIAL
DATE	DATE	UNSPECIFIED TOLERANCES ARE:	MATERIAL
DATE	DATE	UNSPECIFIED TOLERANCES ARE:	MATERIAL
DATE	DATE	UNSPECIFIED TOLERANCES ARE:	MATERIAL
DATE	DATE	UNSPECIFIED TOLERANCES ARE:	MATERIAL
DATE	DATE	UNSPECIFIED TOLERANCES ARE:	MATERIAL

WIRING DIAGRAM-BODY
 SHEET 1 OF 2 I.E. NO. 131677

NOTES: (1) SEE MANUFACTURER'S DIAGRAM FOR ADDITIONAL INFORMATION.



USA



CAN

- ① ALL OUTLETS DOWN STREAM AND INCLUDING THIS OUTLET ARE GROUND FAULT CIRCUIT INTERRUPT PROTECTED.
- ② VENDOR SUPPLIED WIRE.

NOTES:

110V WIRING
99 1/2 117A

TITLE		WIRING DIAGRAM-BODY	
DO NOT SCALE DRAWING	DATE	DWG NO	131677
SHEET 2 OF 2	IF	NO	