



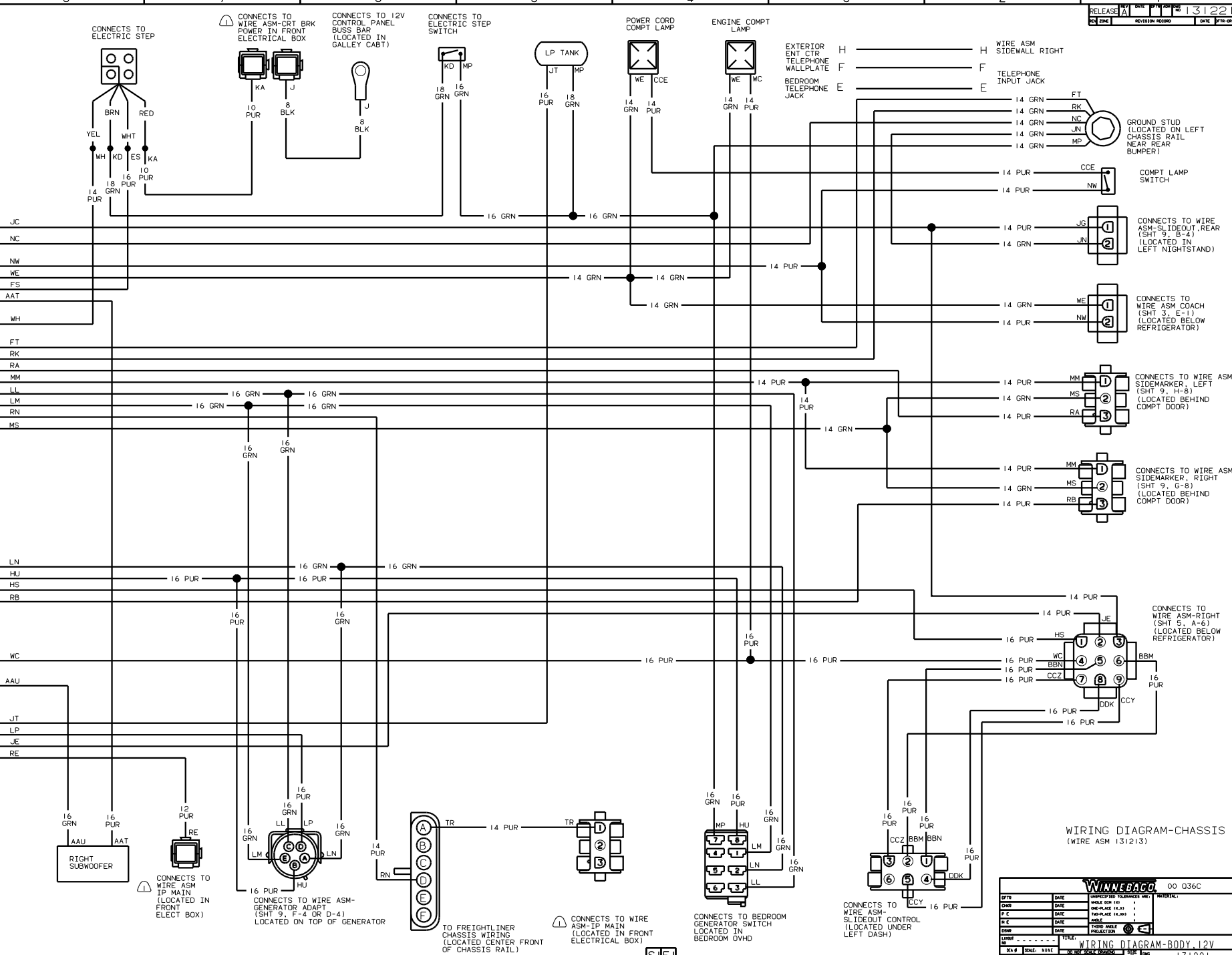
DANGER

Danger of electrical shock, burns or death. Always remove all power sources before attempting any repair, service or diagnostic work. Power can be present from shore power, generator, inverter or battery. All power sources must be disabled and secured before performing any service.



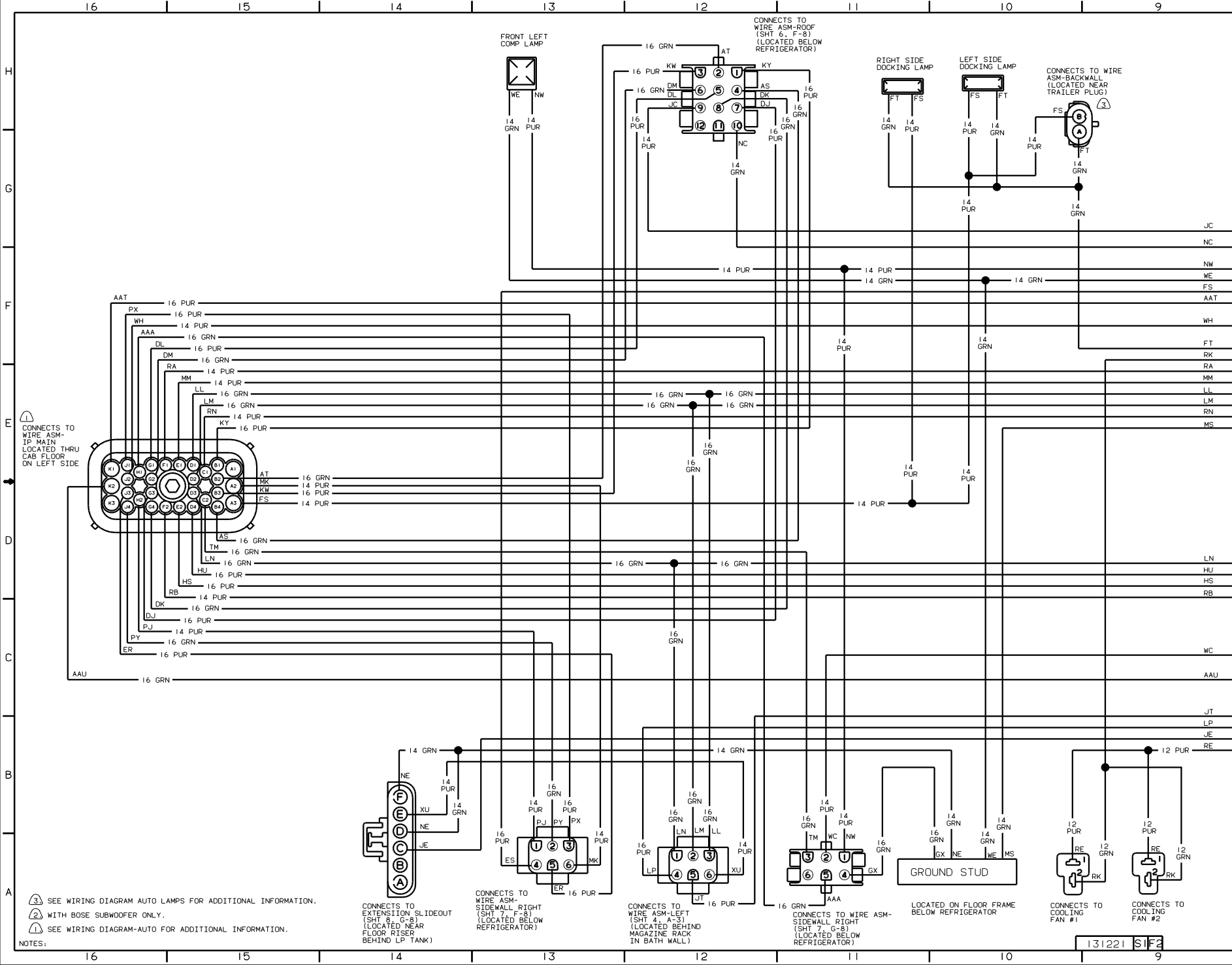
CAUTION

If you lack the skills, tools or equipment to perform diagnostic or repair work leave such work to an authorized Winnebago Industries dealer or other qualified shop.



WIRING DIAGRAM-CHASSIS
 (WIRE ASM 131213)

DATE		UNAPPROVED REVISIONS ARE PROHIBITED	MATERIAL
DESIGNED	DATE	WIRE ASM 131213	
ENGINEERED	DATE	NO-PLACE (L-1, L-2)	
P.E.	DATE	WIRE ASM 131213	
DATE	DATE	WIRE ASM 131213	
DATE	DATE	WIRE ASM 131213	
DATE	DATE	WIRE ASM 131213	
LAYOUT SHEET NO. 1 OF 9 TITLE: WIRING DIAGRAM-BODY.12V DWG NO. 131221			



NOTES:
 (3) SEE WIRING DIAGRAM AUTO LAMPS FOR ADDITIONAL INFORMATION.
 (2) WITH BOSE SUBWOOFER ONLY.
 (1) SEE WIRING DIAGRAM-AUTO FOR ADDITIONAL INFORMATION.

CONNECTS TO EXTENSION SLIDEOUT (SHT 8, G-8) (LOCATED NEAR FLOOR RISER BEHIND LP TANK)

CONNECTS TO WIRE ASM-SIDEWALL RIGHT (SHT 4, A-3) (LOCATED BELOW REFRIGERATOR)

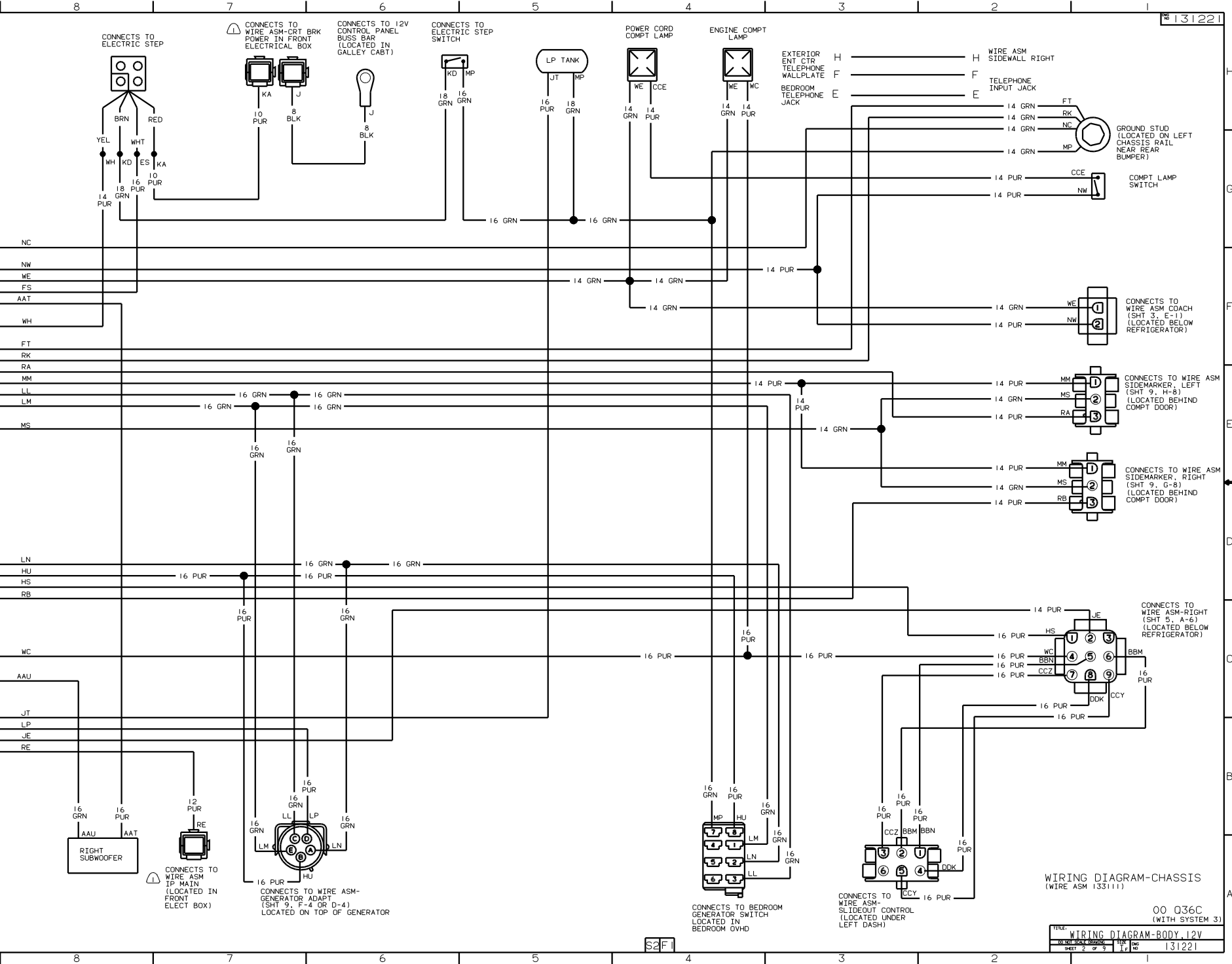
CONNECTS TO WIRE ASM-LEFT (SHT 4, A-3) (LOCATED BEHIND MAGAZINE RACK IN BATH WALL)

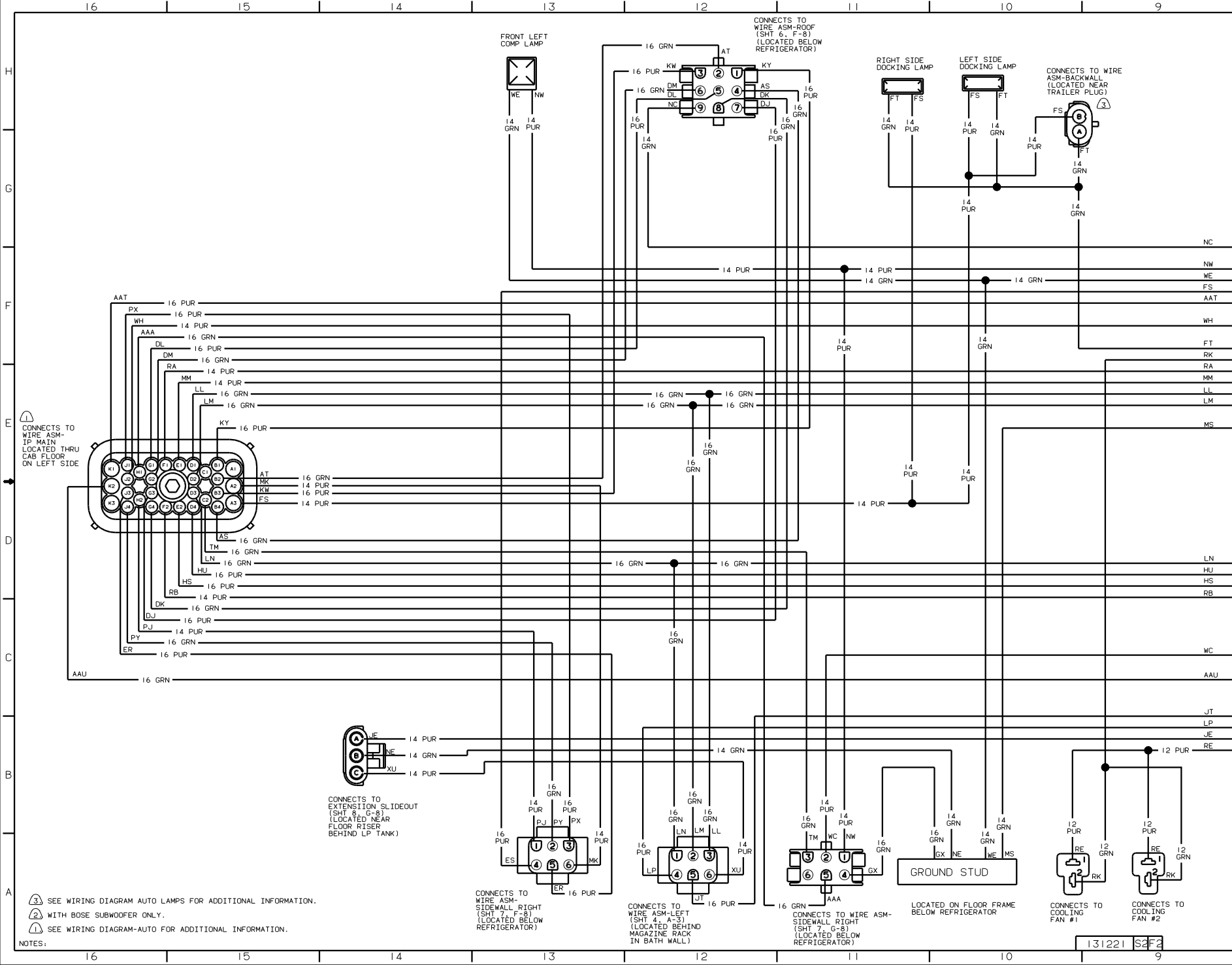
CONNECTS TO WIRE ASM-SIDEWALL LEFT (SHT 7, G-8) (LOCATED BELOW REFRIGERATOR)

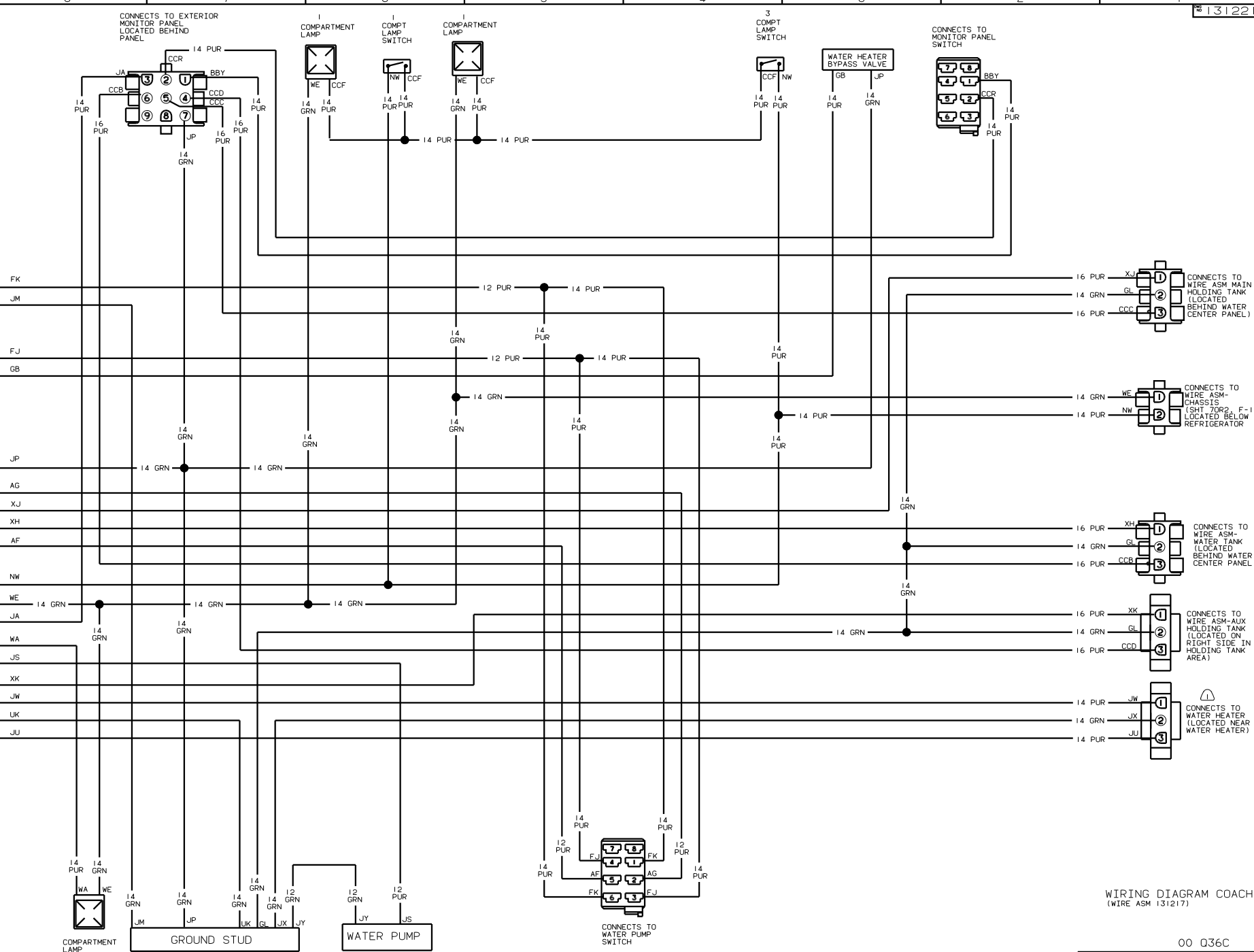
LOCATED ON FLOOR FRAME BELOW REFRIGERATOR

CONNECTS TO COOLING FAN #1

CONNECTS TO COOLING FAN #2



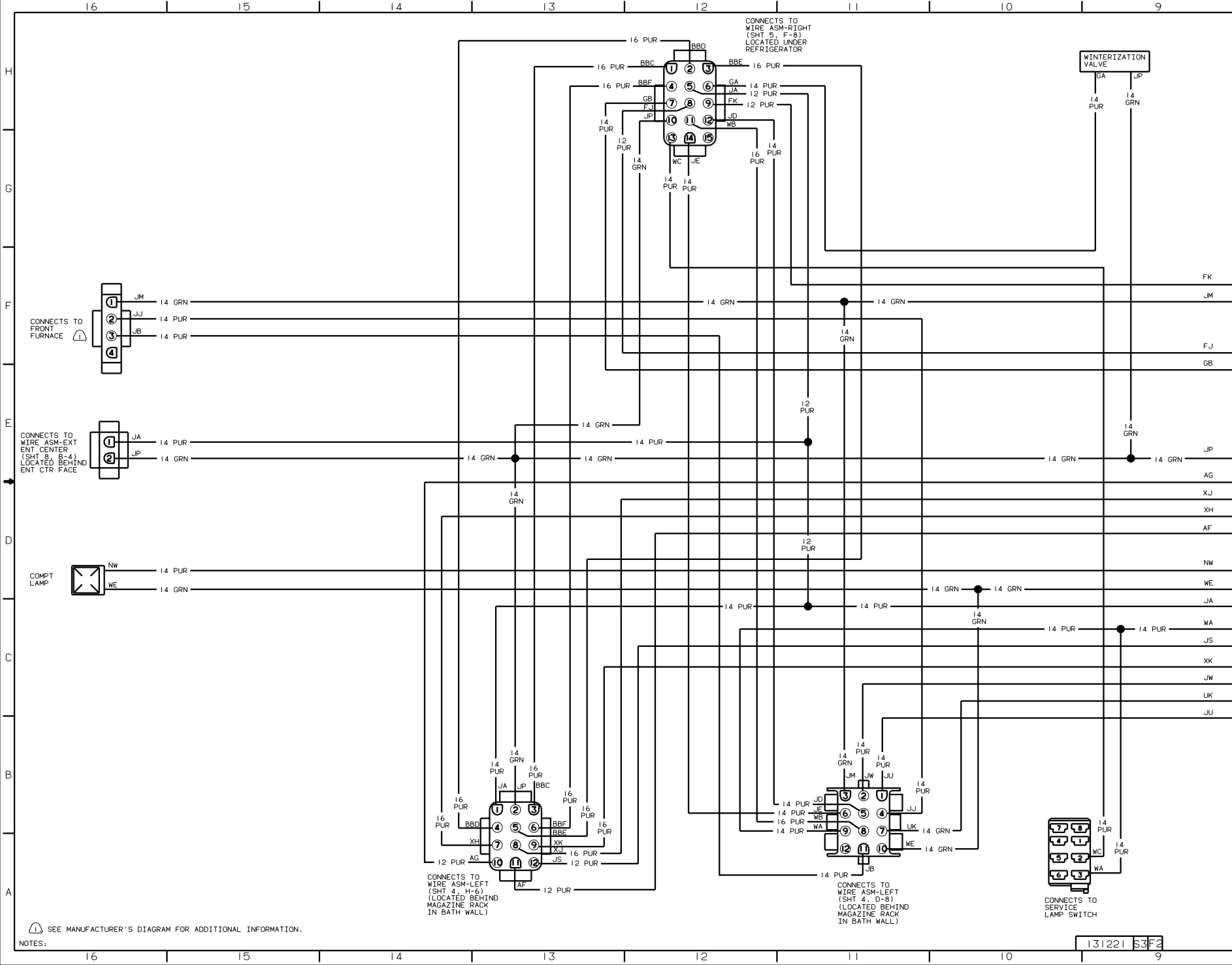




WIRING DIAGRAM COACH
(WIRE ASM 131217)

00 Q36C

TITLE:		WIRING DIAGRAM-BODY.12V	
NO. OF SHEETS:	TOTAL SHEETS:	1	9
SHEET NO.:	REV. NO.:	3	1
		DATE:	131221



① SEE MANUFACTURER'S DIAGRAM FOR ADDITIONAL INFORMATION.

NOTES:

CONNECTS TO SERVICE LAMP SWITCH

CONNECTS TO WIRE ASM-LEFT (SHT 4, D-8) (LOCATED BEHIND MAGAZINE RACK IN BATH WALL)

CONNECTS TO WIRE ASM-LEFT (SHT 4, H-6) (LOCATED BEHIND MAGAZINE RACK IN BATH WALL)

CONNECTS TO FRONT FURNACE

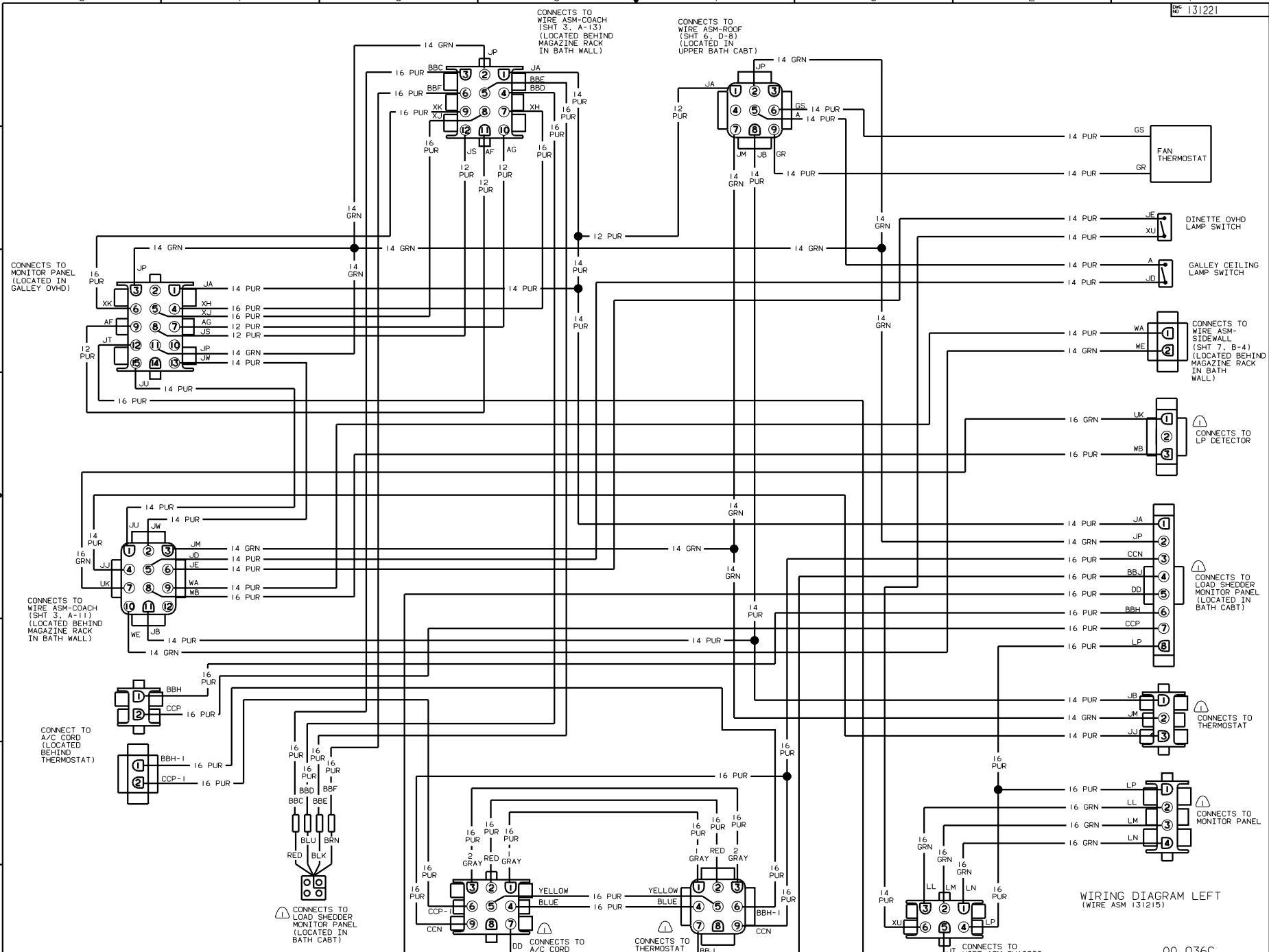
CONNECTS TO WIRE ASM-EXT ENT CENTER (SHT 8, B-4) (LOCATED BEHIND ENT CTR FACE)

CONNECTS TO WIRE ASM-RIGHT (SHT 5, F-8) (LOCATED UNDER REFRIGERATOR)

WINTERIZATION VALVE

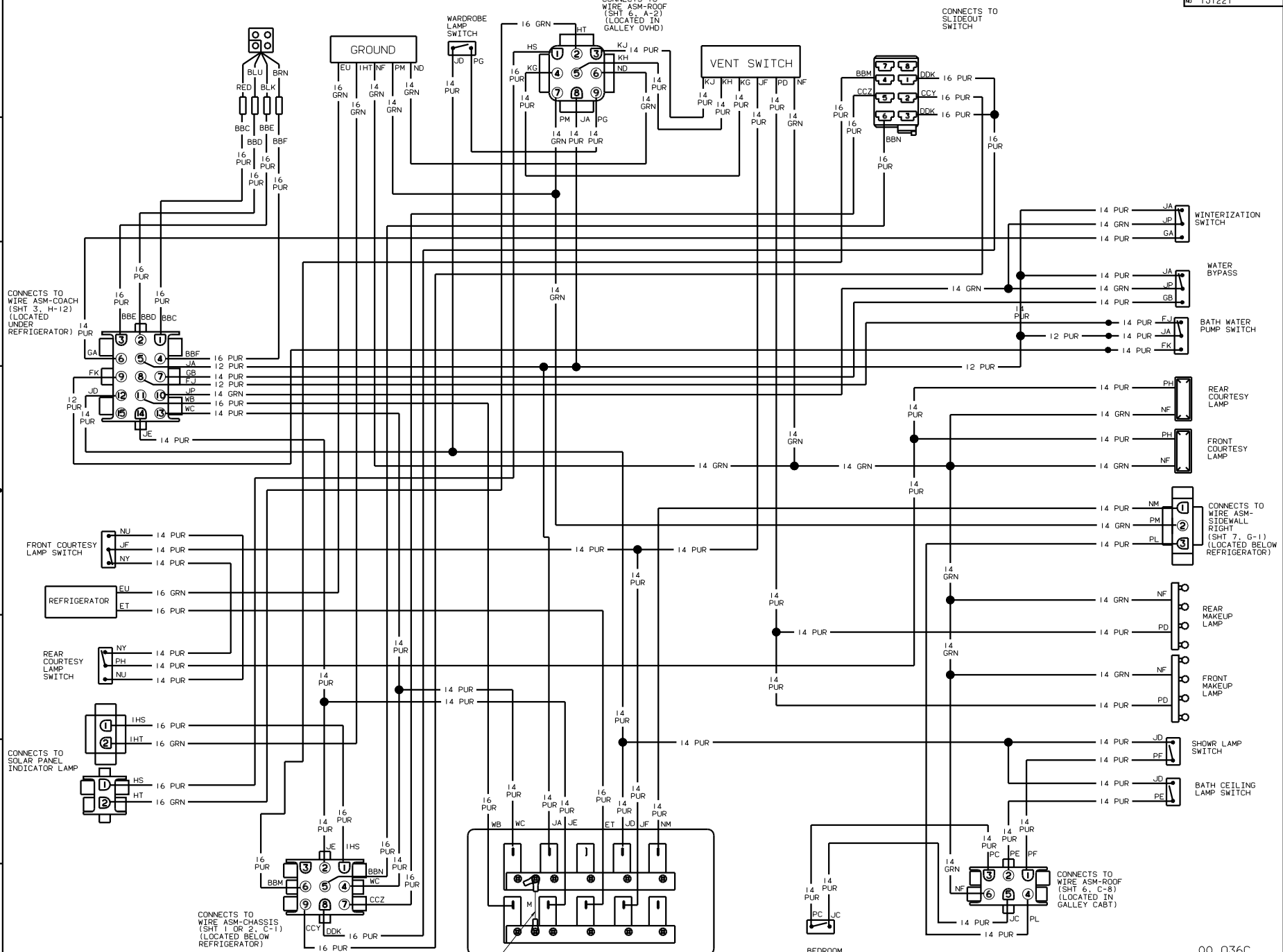
CONNECTS TO SERVICE LAMP SWITCH

131221 33F2



WIRING DIAGRAM LEFT
(WIRE ASM 131215)

NOTES: (1) SEE MANUFACTURER'S DIAGRAM FOR ADDITIONAL INFORMATION.

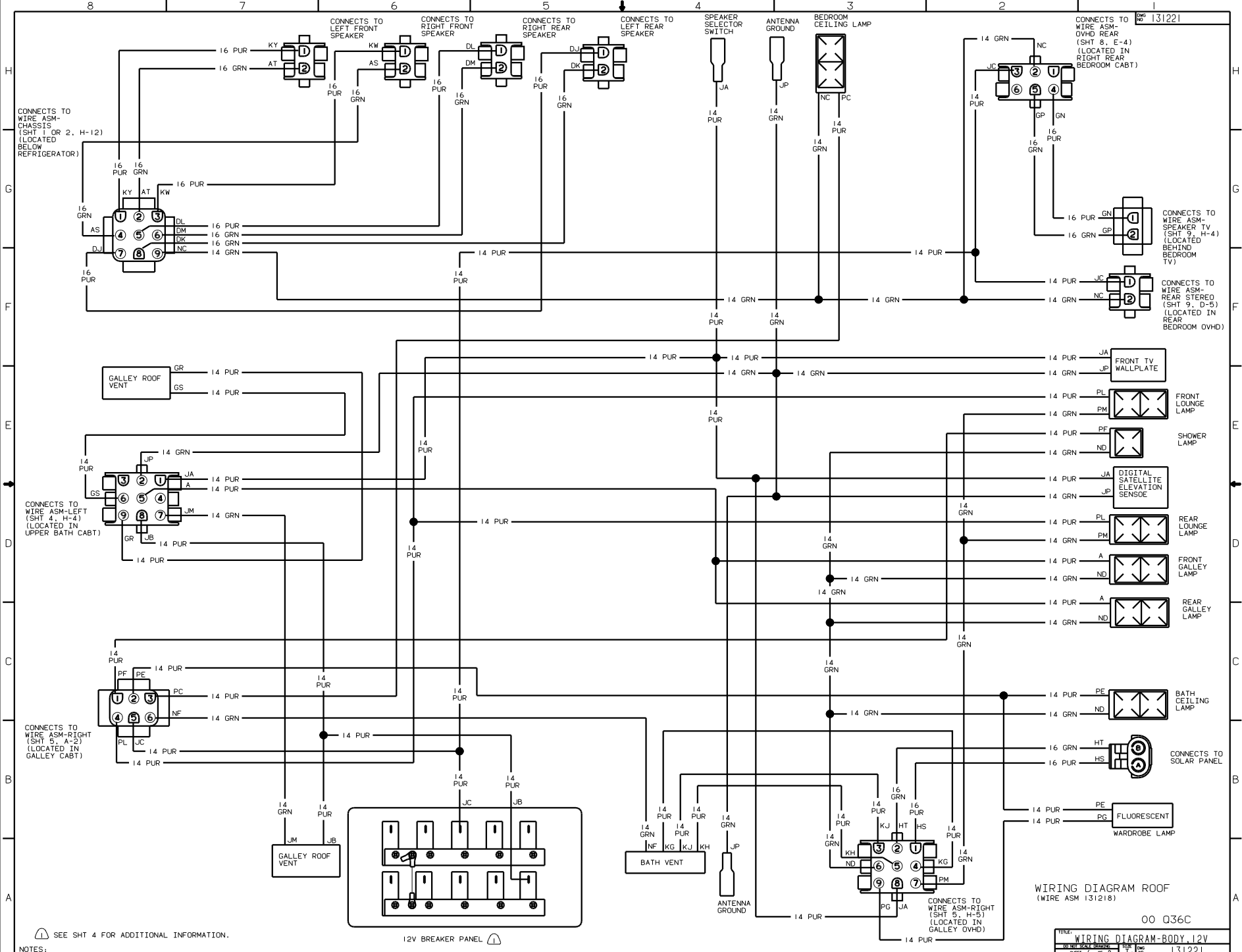


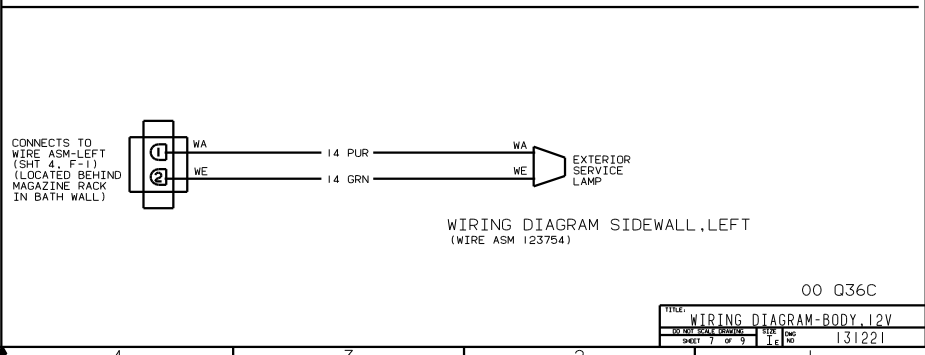
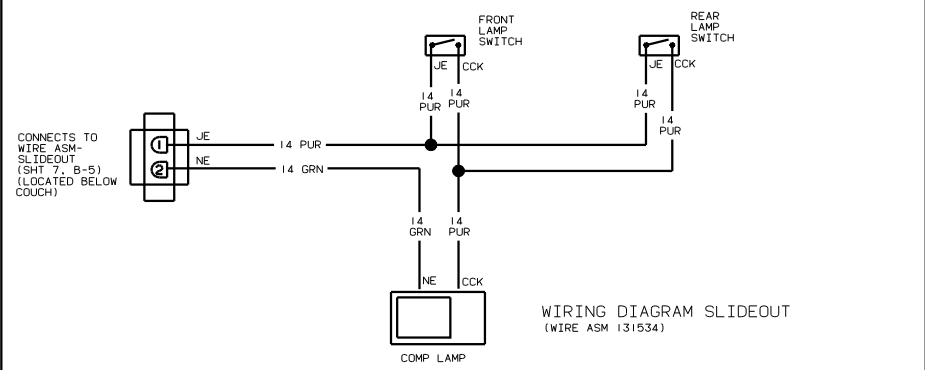
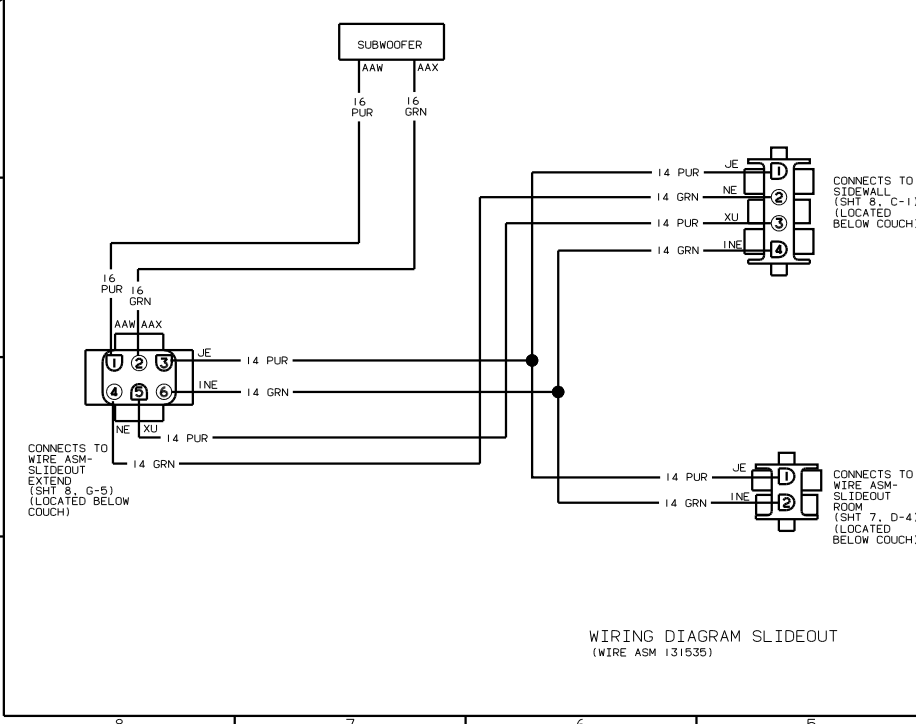
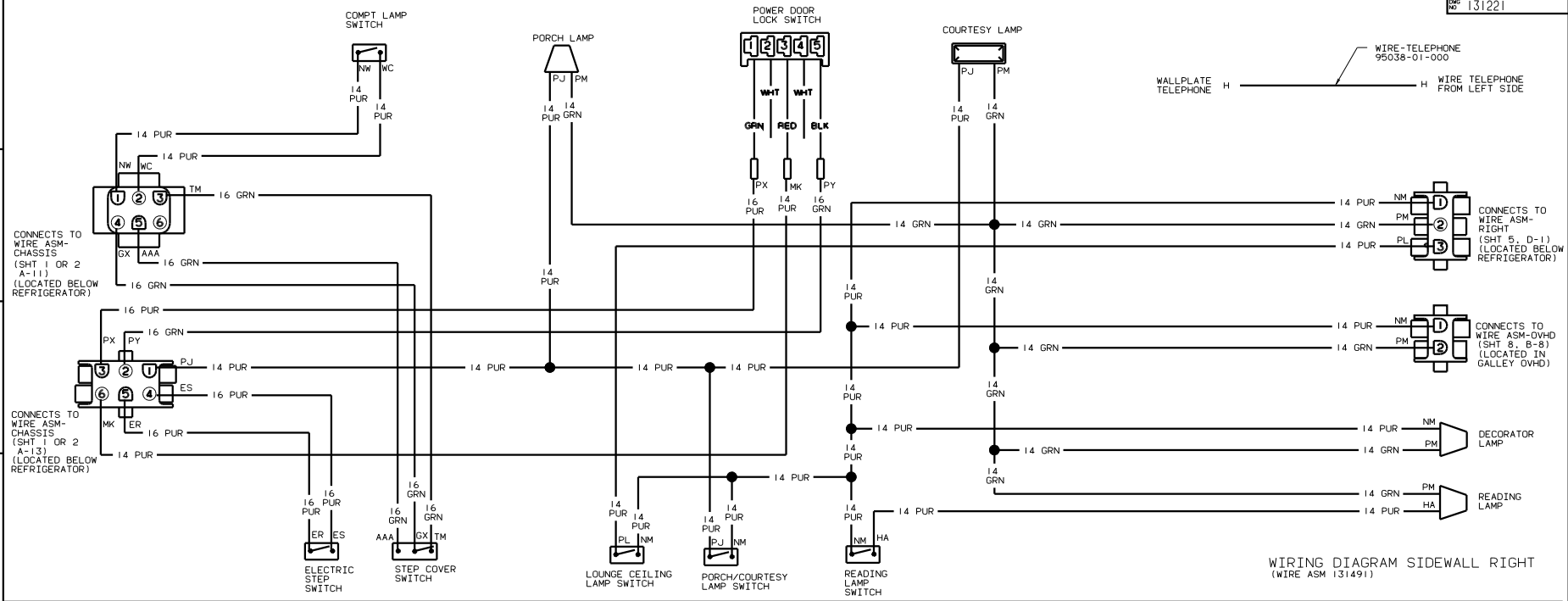
NOTES: (1) SEE SHT 5 FOR ADDITION INFORMATION.

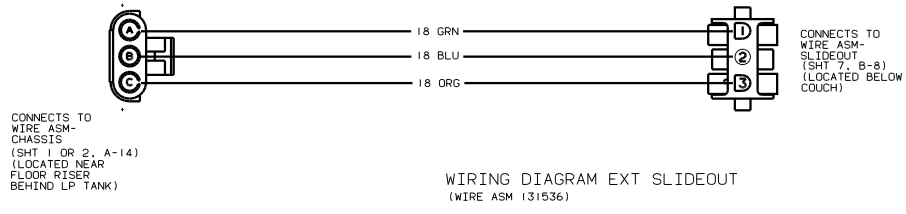
WIRING DIAGRAM RIGHT (WIRE ASM 131216)

FIG. NO.	131221
REV.	1
DATE	
BY	
CHECKED	
APPROVED	

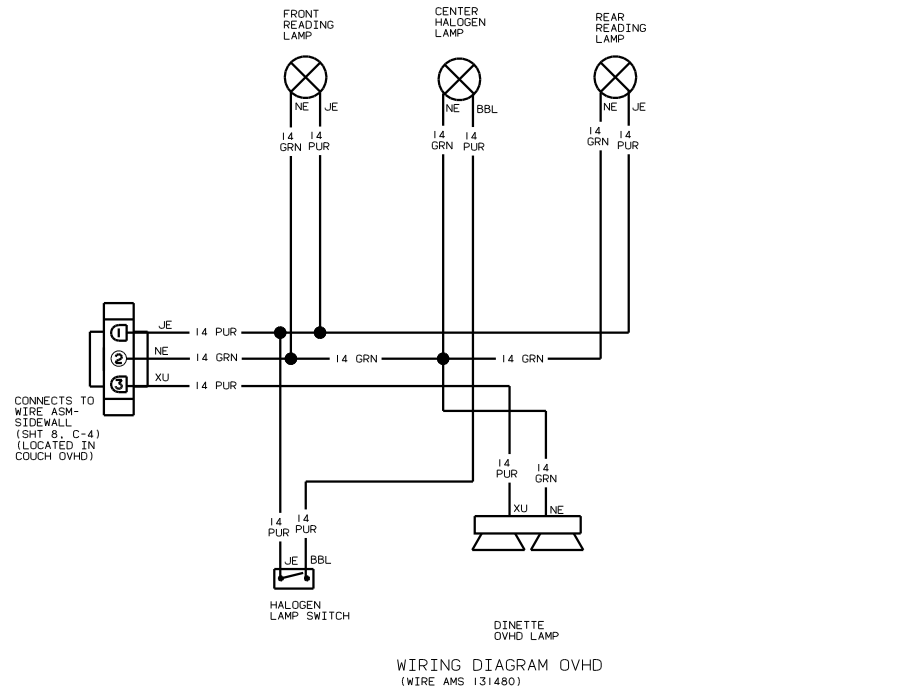
00 Q36C



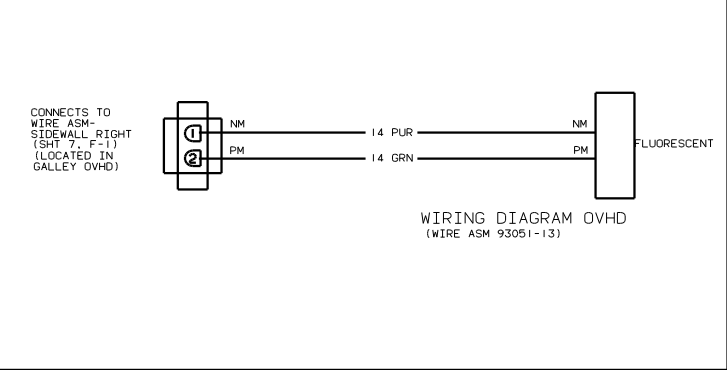




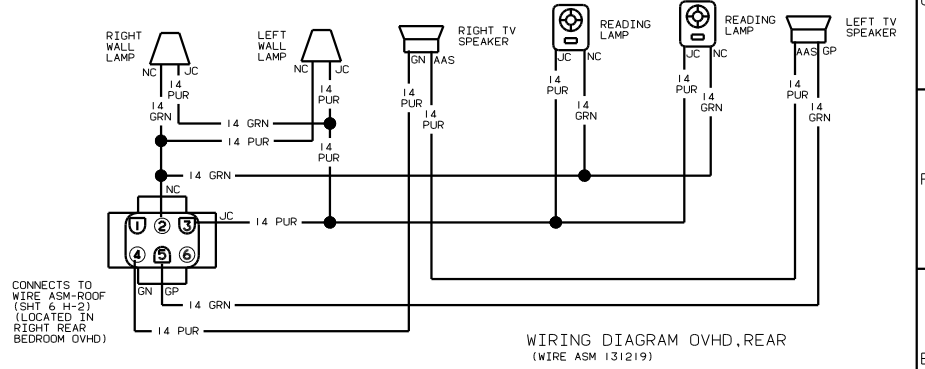
WIRING DIAGRAM EXT SLIDEOUT (WIRE ASM 131536)



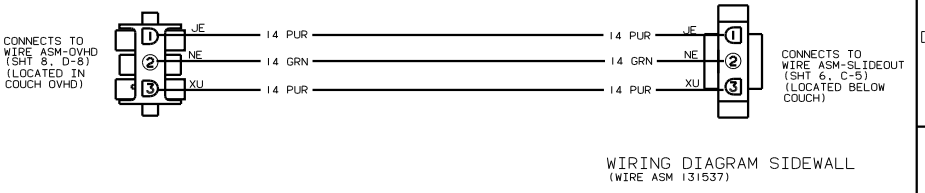
WIRING DIAGRAM OVHD (WIRE AMS 131480)



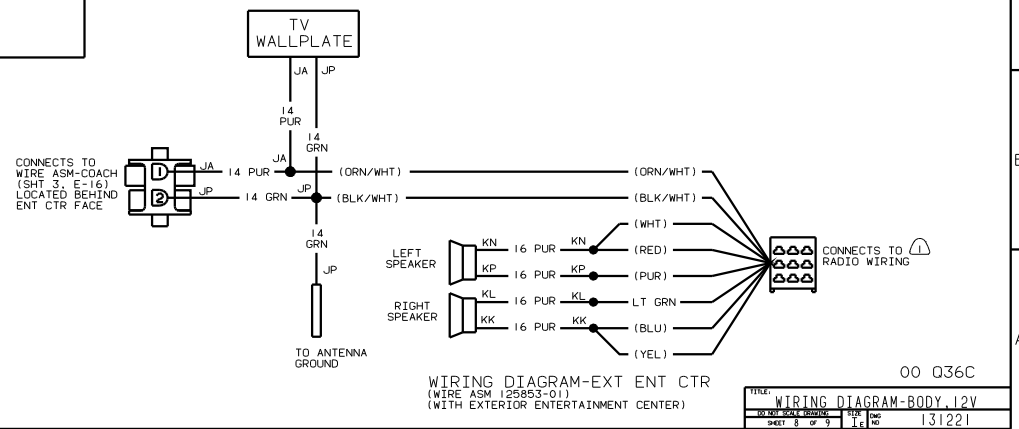
WIRING DIAGRAM OVHD (WIRE ASM 93051-13)



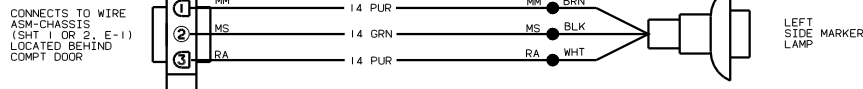
WIRING DIAGRAM OVHD, REAR (WIRE ASM 131219)



WIRING DIAGRAM SIDEWALL (WIRE ASM 131537)



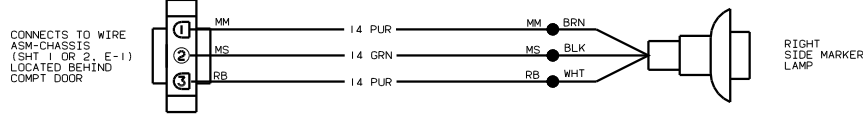
WIRING DIAGRAM-EXT ENT CTR (WIRE ASM 125853-01) (WITH EXTERIOR ENTERTAINMENT CENTER)



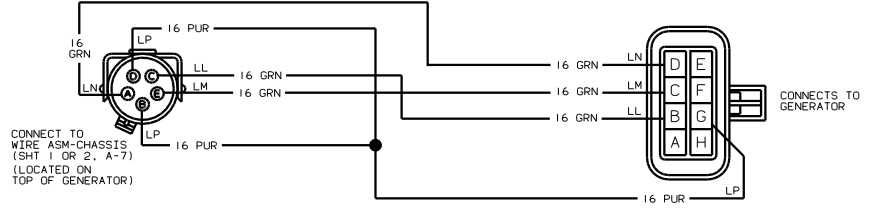
WIRING DIAGRAM-SIDE MARKER (WIRE ASM 107775-04)



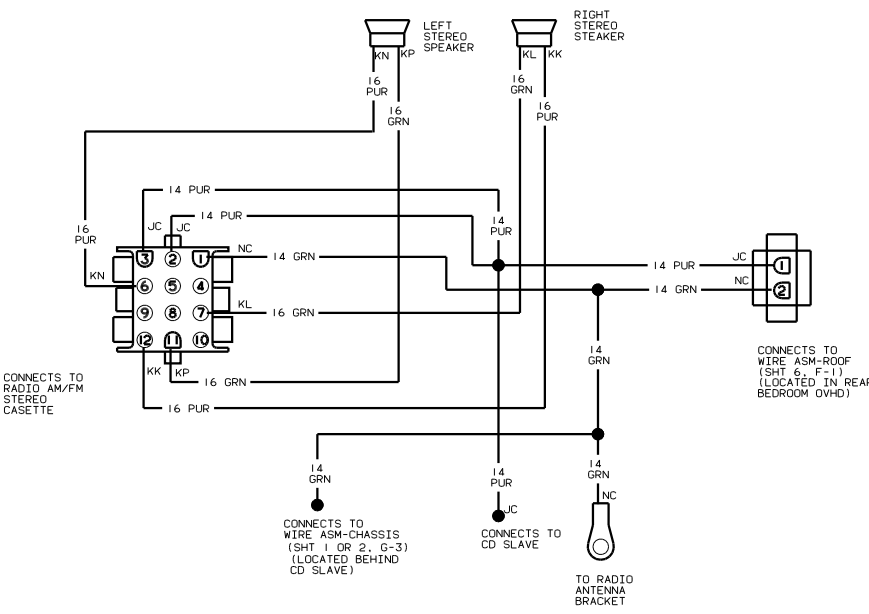
WIRING DIAGRAM-SPEAKER, TV (WIRE ASM 104271-02) (WITH BEDROOM TV)



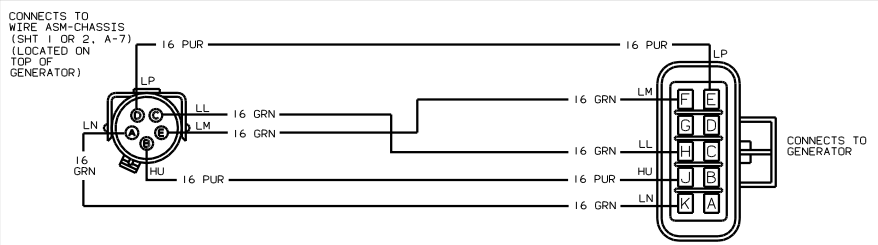
WIRING DIAGRAM-SIDE MARKER (WIRE ASM 107775-04)



WIRING DIAGRAM GEN ADAPTER LP (WIRE ASM 130332-01)



WIRING DIAGRAM REAR, STEREO (WIRE ASM 124336-10)



WIRING DIAGRAM GEN ADAPTER, DIESEL (WIRE ASM 130332-02)