



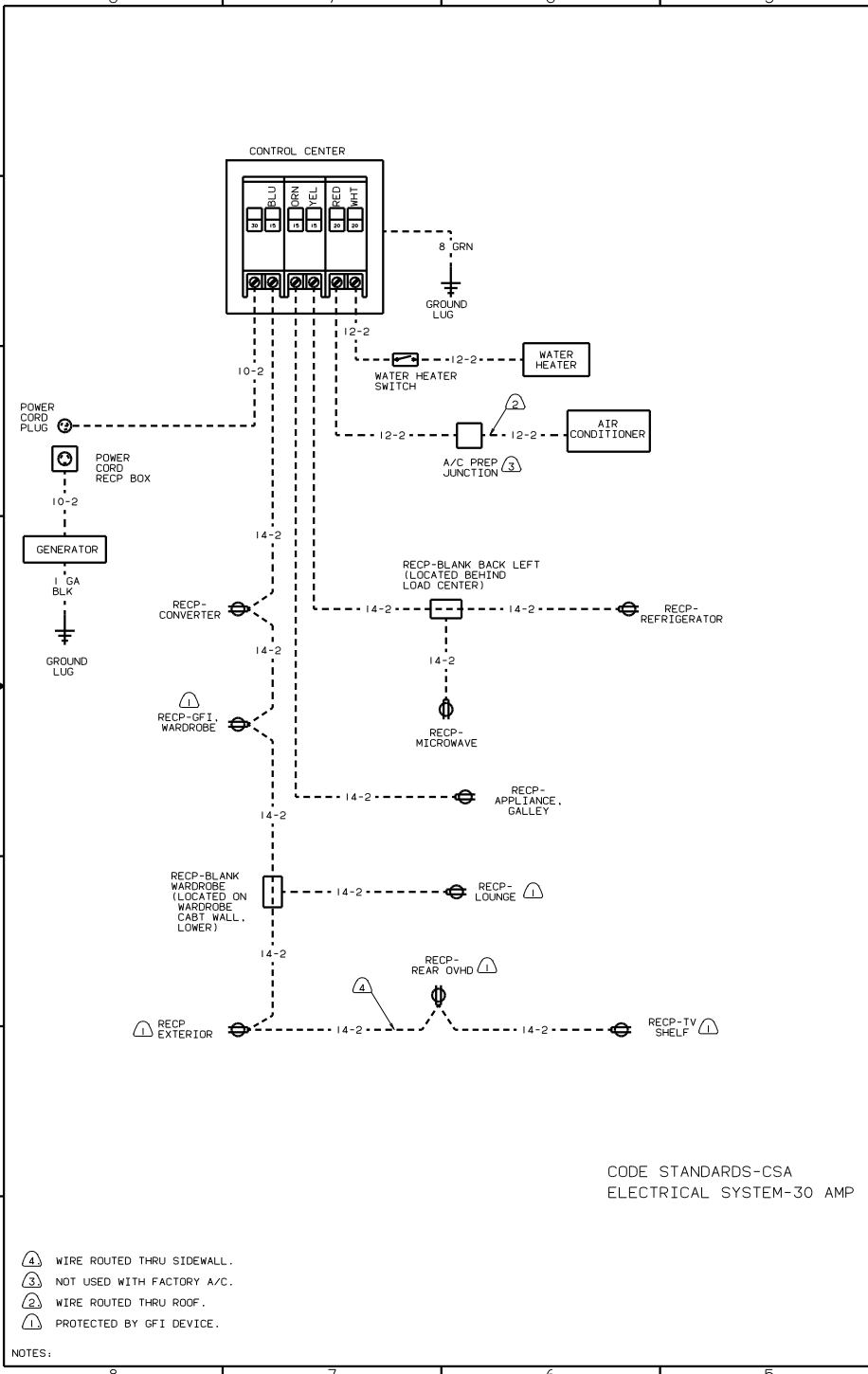
DANGER

Danger of electrical shock, burns or death. Always remove all power sources before attempting any repair, service or diagnostic work. Power can be present from shore power, generator, inverter or battery. All power sources must be disabled and secured before performing any service.



CAUTION

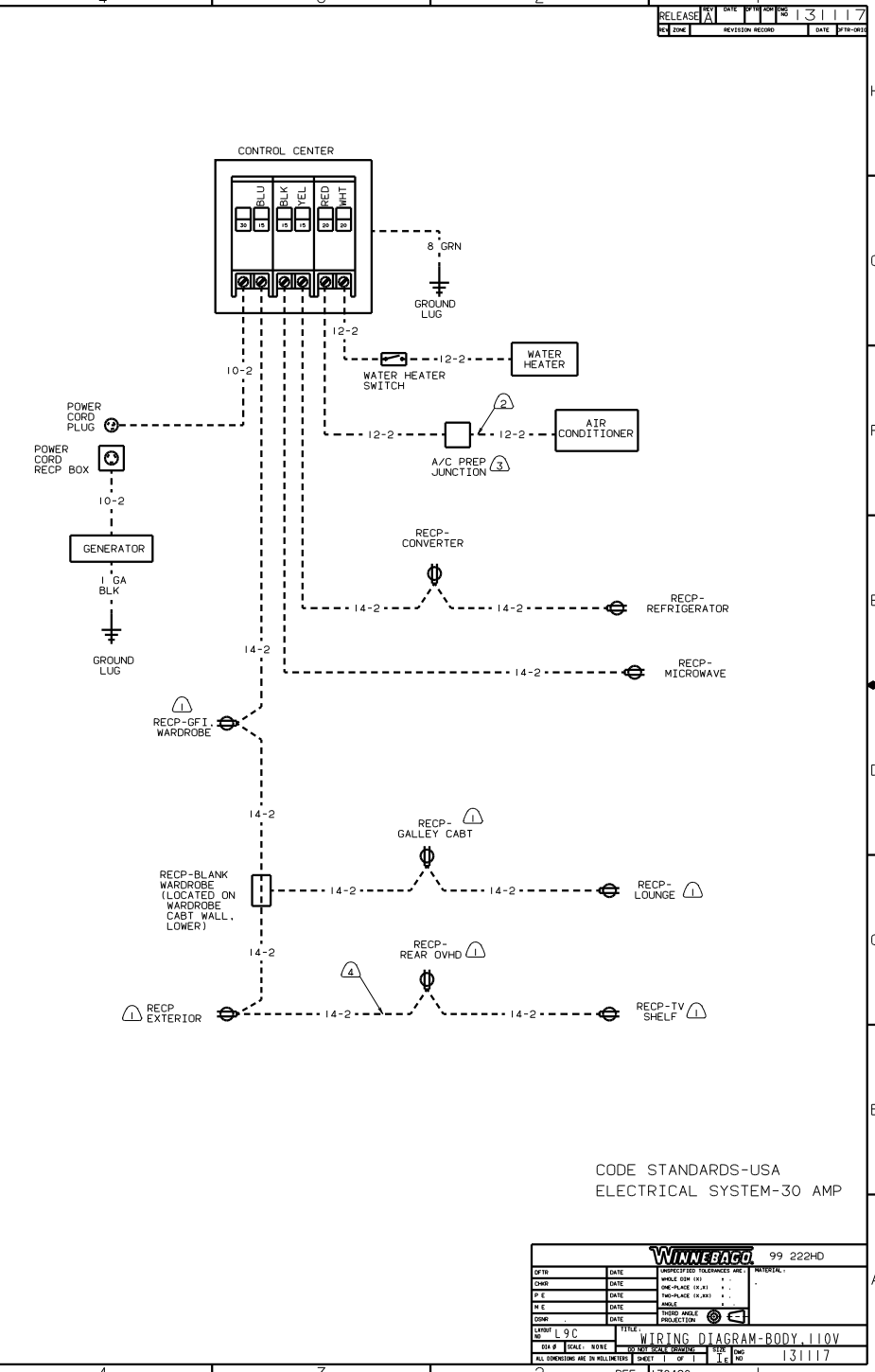
If you lack the skills, tools or equipment to perform diagnostic or repair work leave such work to an authorized Winnebago Industries dealer or other qualified shop.



CODE STANDARDS-CSA
 ELECTRICAL SYSTEM-30 AMP

- ④ WIRE ROUTED THRU SIDEWALL.
- ③ NOT USED WITH FACTORY A/C.
- ② WIRE ROUTED THRU ROOF.
- ① PROTECTED BY GFI DEVICE.

NOTES:



CODE STANDARDS-USA
 ELECTRICAL SYSTEM-30 AMP

WINNEBAGO		99 222HD	
DATE	UNDESIGNED TOLERANCES ARE:	DATE	MATERIAL
DATE	WHOLE OR 1/2	DATE	ONE-PLACE (R.A.)
DATE	FRACTIONAL (R.A.)	DATE	TWO-PLACE (R.A.)
DATE	ANGLE	DATE	ANGLE
DATE	INDUS. WANGLE	DATE	INDUS. WANGLE
DATE	PROJECTION	DATE	PROJECTION
LAYOUT L9C		TITLE	
SHEET 1 OF 1		WIRING DIAGRAM-BODY 110V	
SCALE: NONE		SHEET 1 OF 1	
ALL DIMENSIONS ARE IN MILLIMETERS		REF: 130490	