



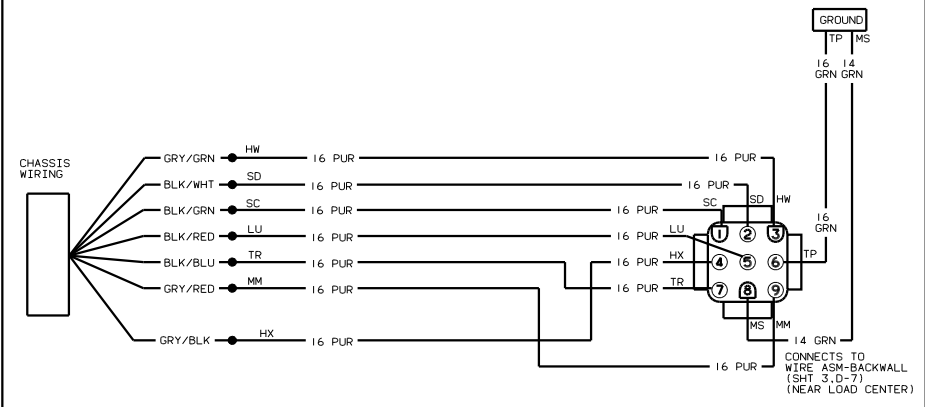
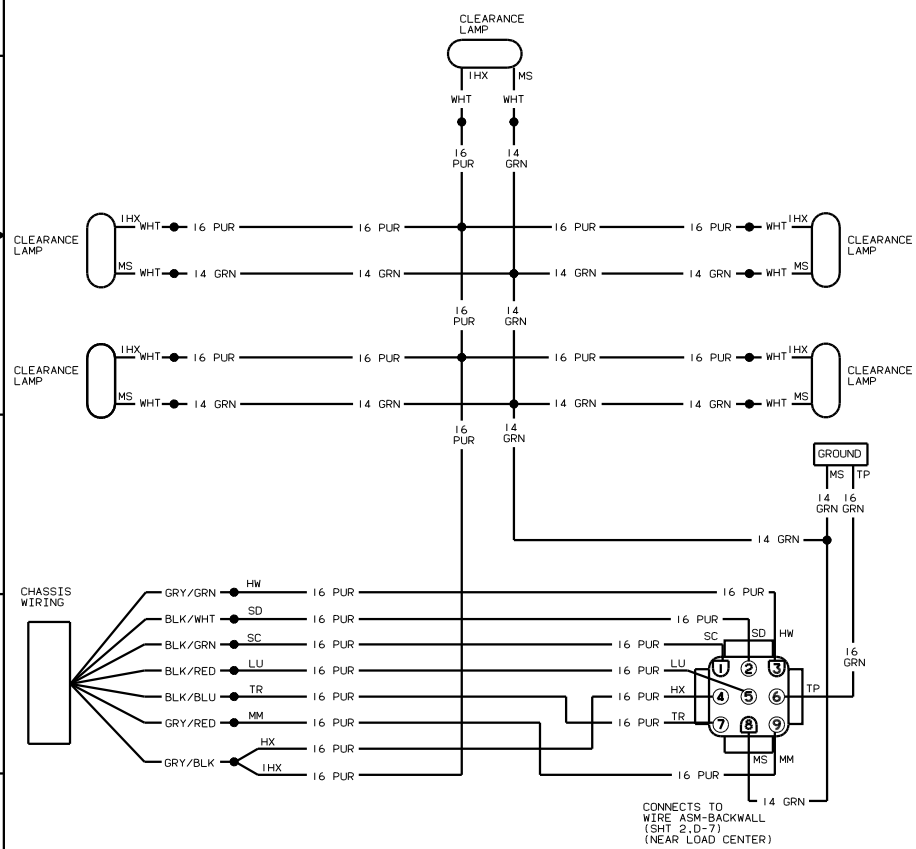
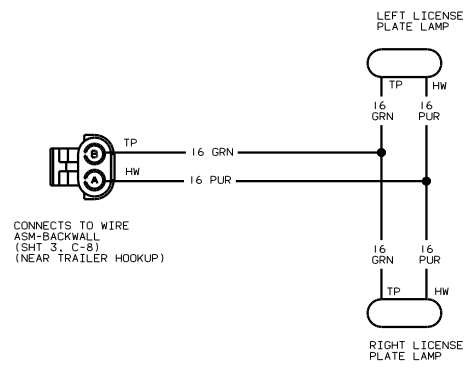
**DANGER**

**Danger of electrical shock, burns or death.** Always remove all power sources before attempting any repair, service or diagnostic work. Power can be present from shore power, generator, inverter or battery. All power sources must be disabled and secured before performing any service.



**CAUTION**

If you lack the skills, tools or equipment to perform diagnostic or repair work leave such work to an authorized Winnebago Industries dealer or other qualified shop.



WIRING DIAGRAM-CLEARANCE/TAILLAMPS  
(WIRE ASM 131083-04)  
(JAPAN EXPORT)

WIRING DIAGRAM-EXTERIOR LAMPS  
(WIRE ASM 131083-01 OD HD)  
(WIRE ASM 131083-02 FD)  
(WIRE ASM 131083-03 SHELL)

**WINNEBAGO** 99 200 SERIES

OF IN	DATE	UNSPECIFIED TOLERANCES ARE:	INVERTICAL
CHP	DATE	HALF DIM 1/2	
PIE	DATE	ONE-PLACE 1/2 .01	
W/E	DATE	TWO-PLACE 1/2 .005	
DATE	DATE	ANGLE	
CONP	DATE	THIRD ANGLE PROJECTION	

LANE NO. TITLE: WIRING DIAGRAM-AUTO LAMPS

REV # SCALE: NONE

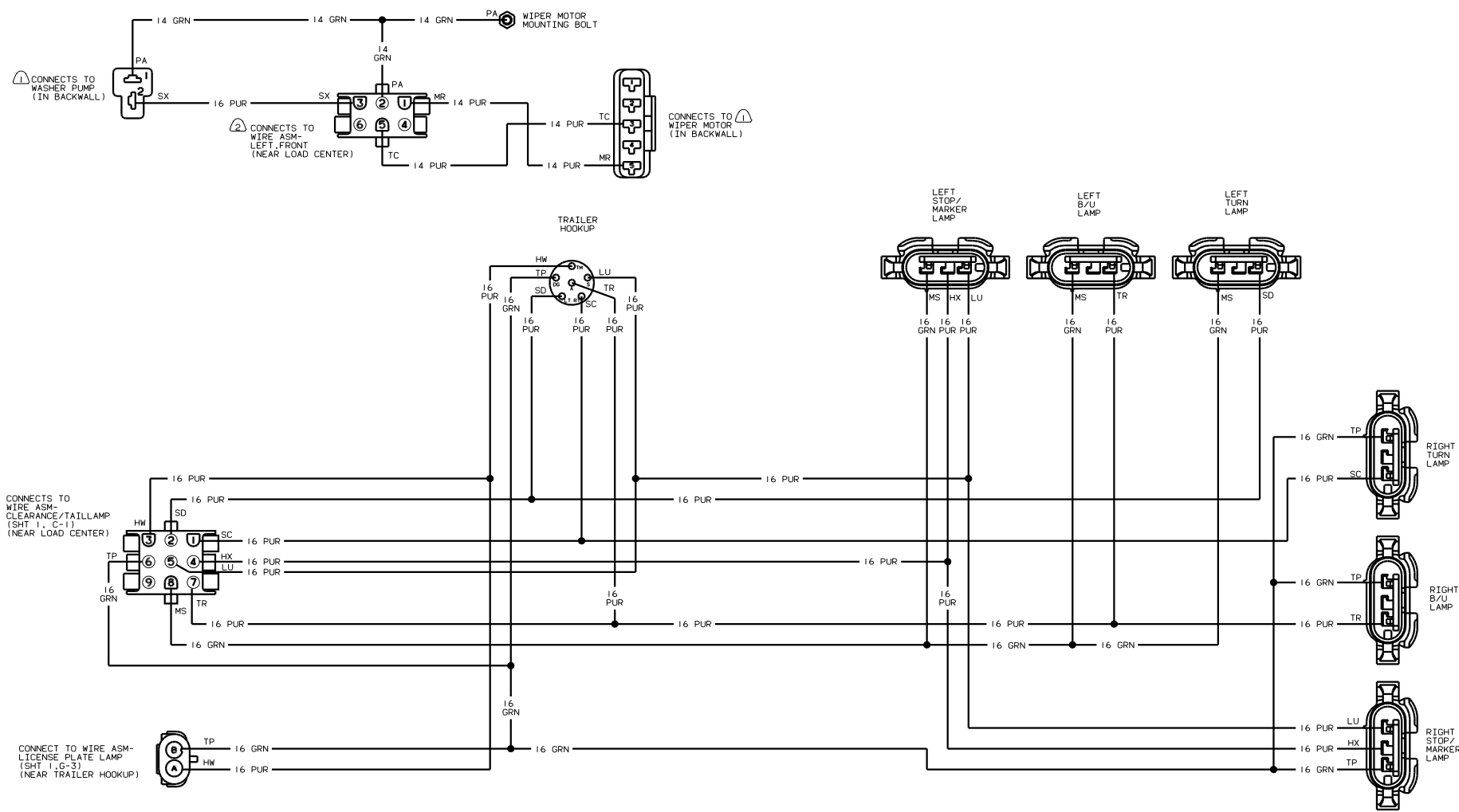
ALL DIMENSIONS ARE IN MILLIMETERS

SHEET 1 OF 3

REF: 127079-B 1

130504





CONNECTS TO WASHER PUMP (IN BACKWALL)

CONNECTS TO WIRE ASM- LEFT\_FRONT (NEAR LOAD CENTER)

CONNECTS TO WIPER MOTOR (IN BACKWALL)

CONNECTS TO WIRE ASM- CLEARANCE/TAILLAMP (SHT 1, C-1) (NEAR LOAD CENTER)

CONNECT TO WIRE ASM- LICENSE PLATE LAMP (SHT 1, G-3) (NEAR TRAILER HOOKUP)

WIRE DIAGRAM-BACKWALL (WIRE ASM 130558-02) (JAPAN EXPORT)

SEE WIRING DIAGRAM-BODY FOR ADDITIONAL INFORMATION. SEE MANUFACTURER'S DIAGRAM FOR ADDITIONAL INFORMATION.