



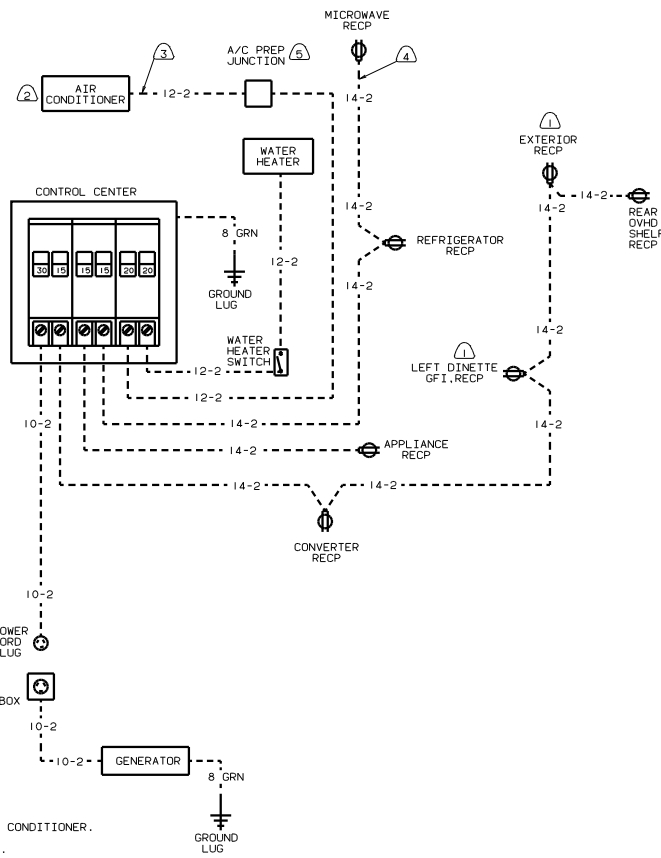
DANGER

Danger of electrical shock, burns or death. Always remove all power sources before attempting any repair, service or diagnostic work. Power can be present from shore power, generator, inverter or battery. All power sources must be disabled and secured before performing any service.



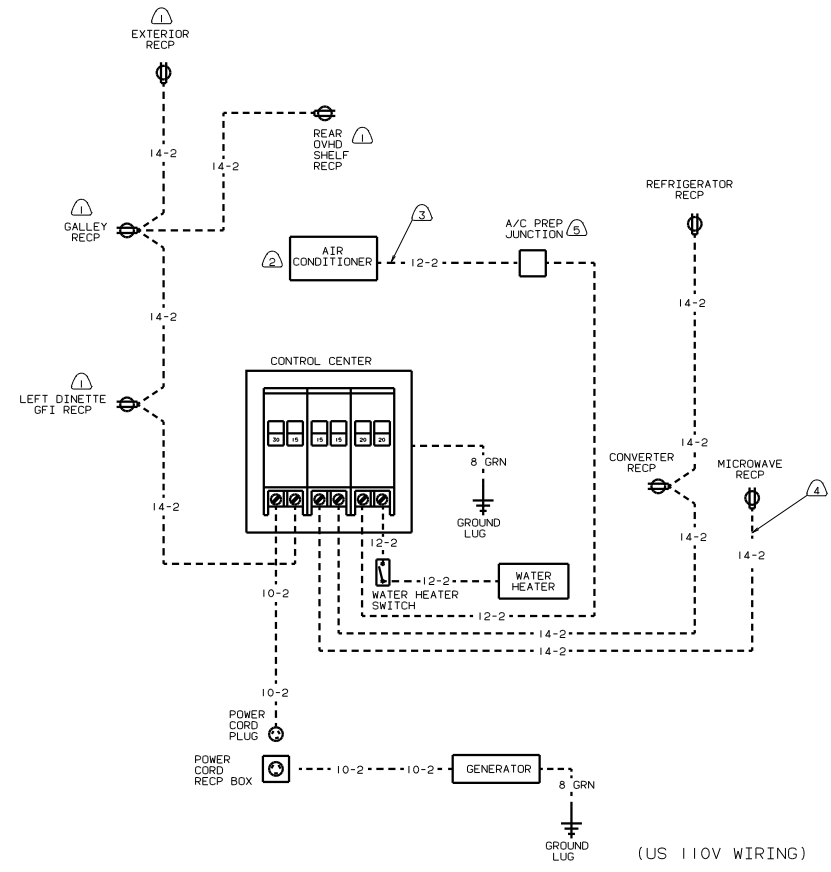
CAUTION

If you lack the skills, tools or equipment to perform diagnostic or repair work leave such work to an authorized Winnebago Industries dealer or other qualified shop.



(CAN 110V WIRING)

- NOTES:
- ⑤ NOT USED WITH FACTORY AIR CONDITIONER.
 - ④ WIRE ROUTED THRU SIDEWALL.
 - ③ WIRE ROUTED THRU ROOF.
 - ② WITH FACTORY AIR CONDITIONER.
 - ① PROTECTED BY GFI RECP.



(US 110V WIRING)

00 2220D
 99 2220D
 98 2220D

WINNEBAGO			
OF IN	DATE	UNDESIGNED TOLERANCES ARE:	MATERIAL
CHP	DATE	ONE-PLACE (1X.01)	
DFE	DATE	TWO-PLACE (1X.00)	
D/E	DATE	ANGLE	
CON	DATE	INDUS. WAGLE PRODUCTION	
LAH	DATE		
TITLE: WIRING DIAGRAM-BODY 110V			
REV #	SCALE	NOTE	DO NOT SCALE DIMENSIONS
SHEET 1 OF 1		FIG. NO.	130490

