



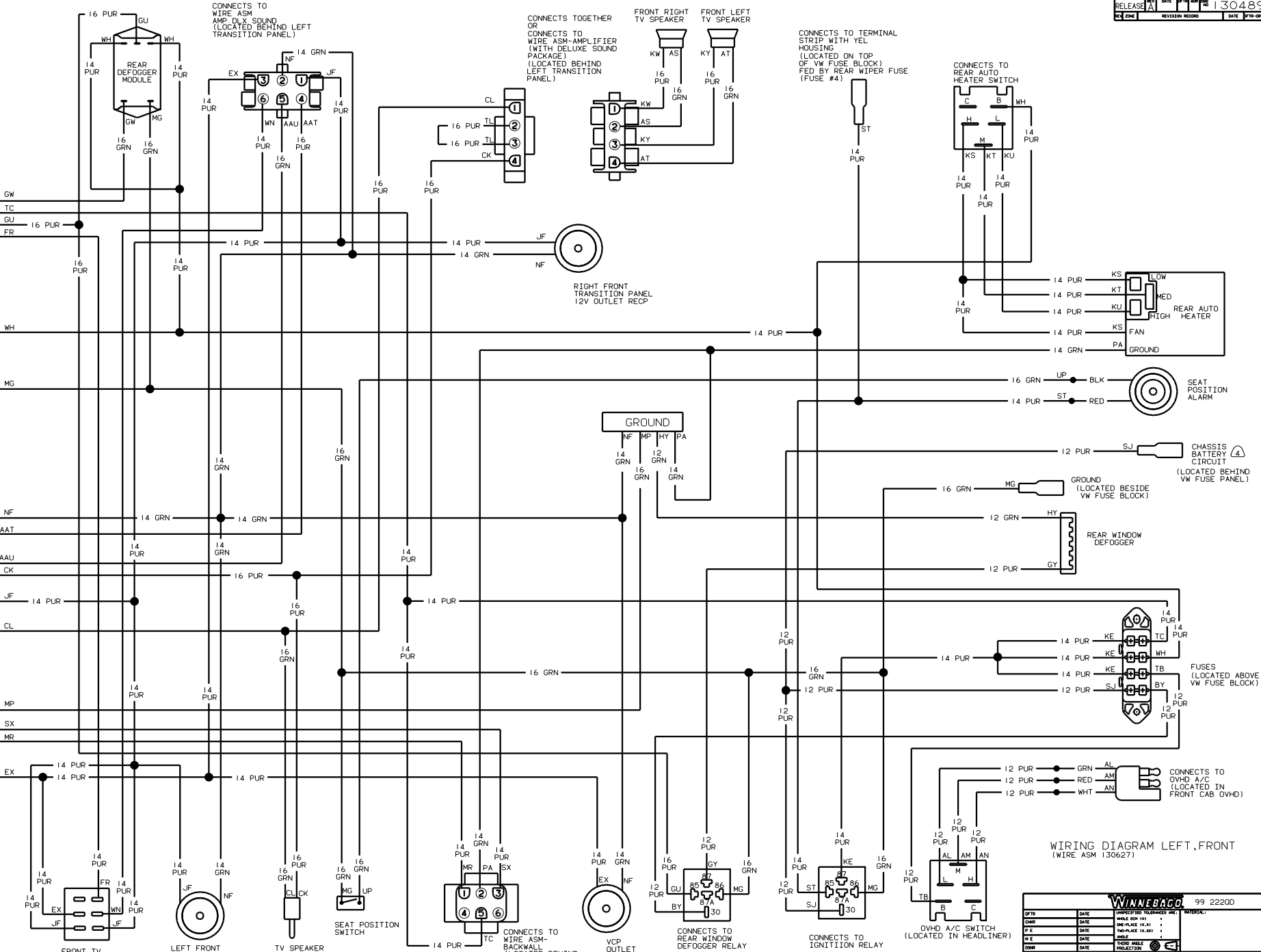
**DANGER**

**Danger of electrical shock, burns or death.** Always remove all power sources before attempting any repair, service or diagnostic work. Power can be present from shore power, generator, inverter or battery. All power sources must be disabled and secured before performing any service.



**CAUTION**

If you lack the skills, tools or equipment to perform diagnostic or repair work leave such work to an authorized Winnebago Industries dealer or other qualified shop.



CONNECTS TOGETHER OR  
 CONNECTS TO WIRE ASM-AMPLIFIER  
 (WITH DELUXE SOUND PACKAGE)  
 (LOCATED BEHIND LEFT  
 TRANSITION PANEL)

CONNECTS TO TERMINAL STRIP WITH YEL HOUSING  
 (LOCATED ON TOP OF VW FUSE BLOCK)  
 FED BY REAR WIPER FUSE (FUSE #4)

CONNECTS TO REAR AUTO HEATER SWITCH

REAR AUTO HEATER  
 FAN  
 GROUND

SEAT POSITION ALARM

CHASSIS BATTERY CIRCUIT  
 (LOCATED BEHIND VV FUSE PANEL)

GROUND (LOCATED BEHIND VV FUSE BLOCK)

REAR WINDOW DEFOGGER

FUSES (LOCATED ABOVE VV FUSE BLOCK)

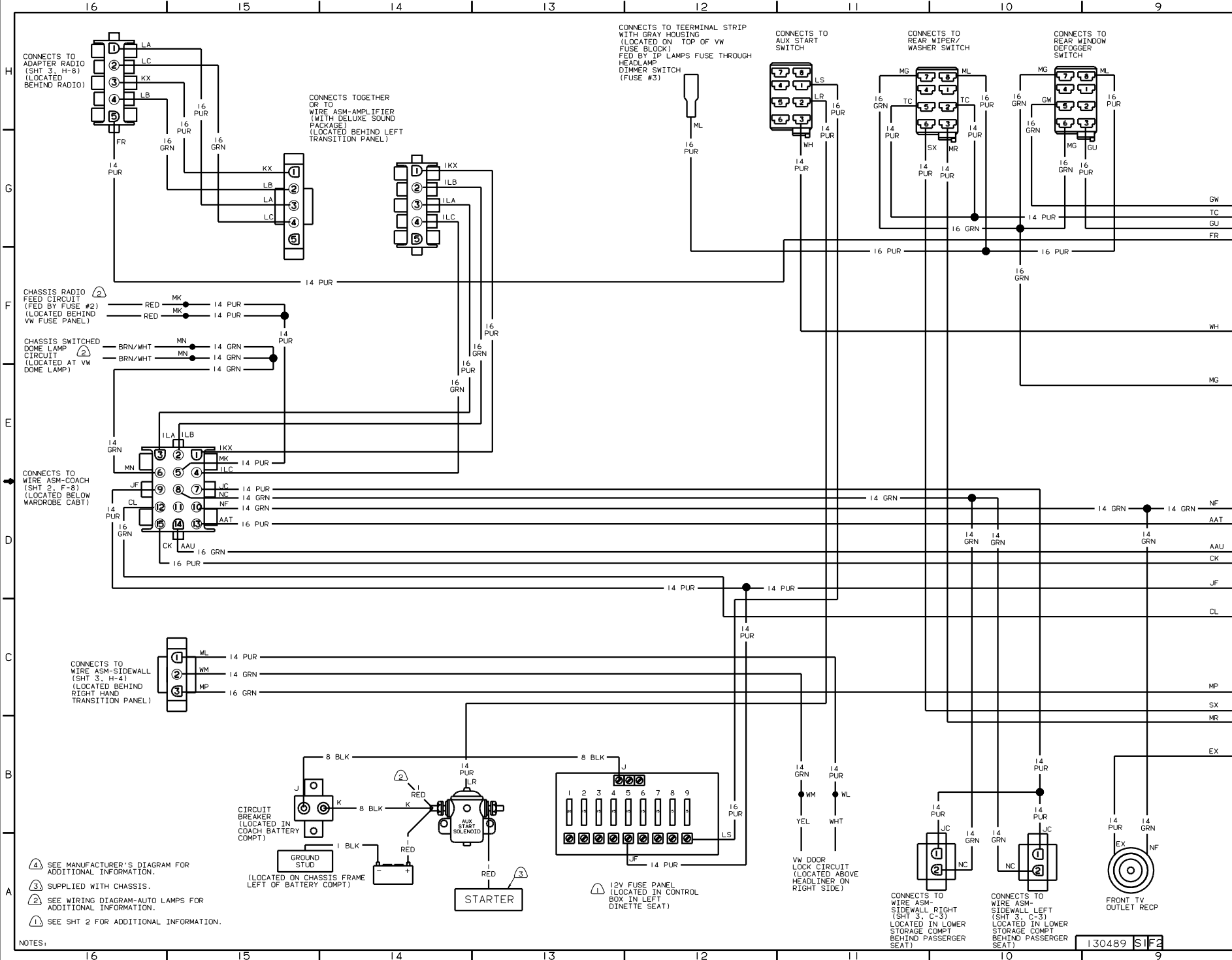
CONNECTS TO OVHD A/C SWITCH  
 (LOCATED IN FRONT CAB OVHD)

WIRING DIAGRAM LEFT, FRONT  
 (WIRE ASM 130627)

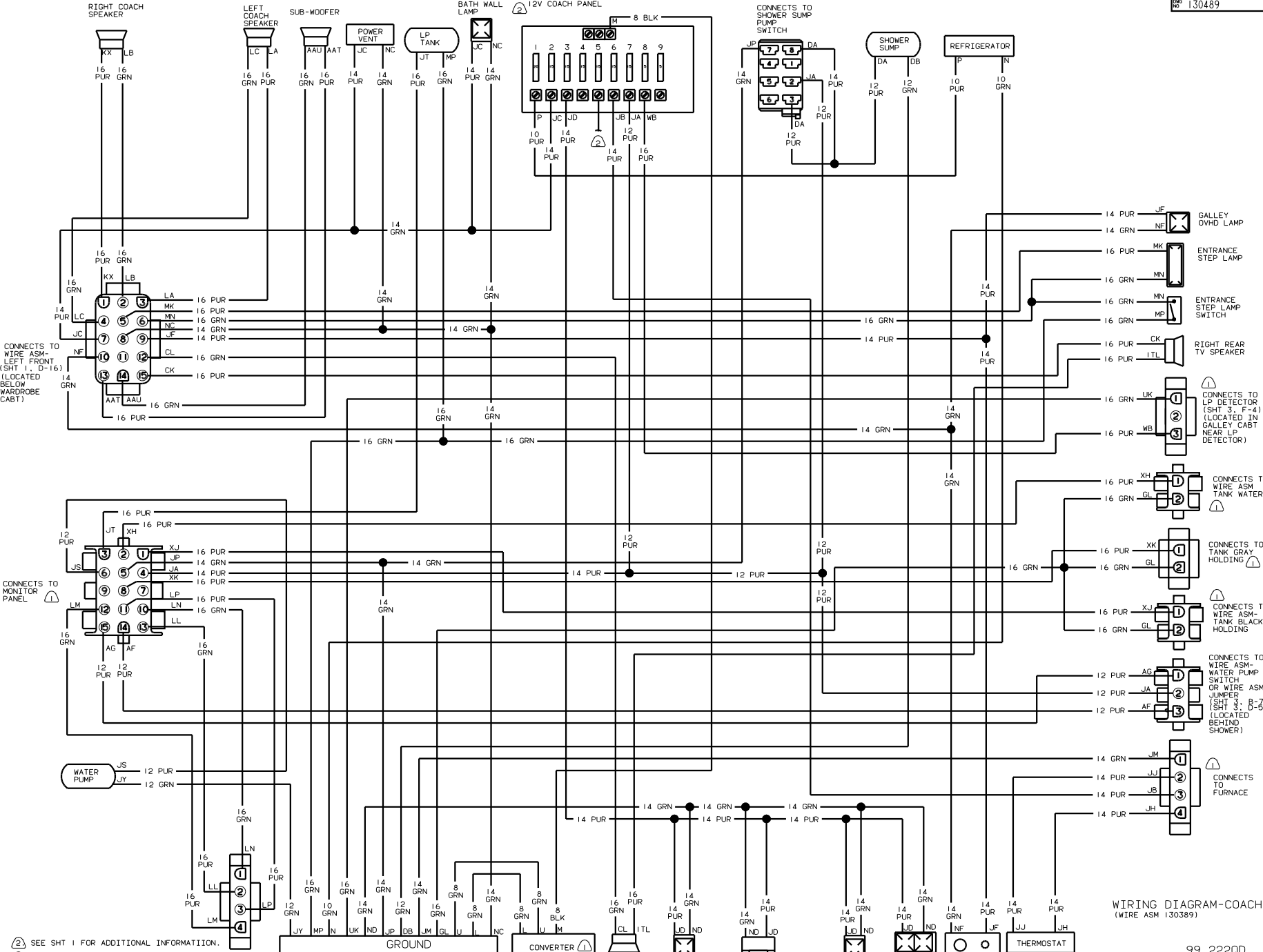
**WINNEBAGO** 99 2220D

DATE	UNAPPROVED REVISIONS ARE PROHIBITED	MATERIAL
CHD	DATE	DESCRIPTION
DATE	DATE	DESCRIPTION
DATE	DATE	DESCRIPTION
DATE	DATE	DESCRIPTION
DATE	DATE	DESCRIPTION

130489



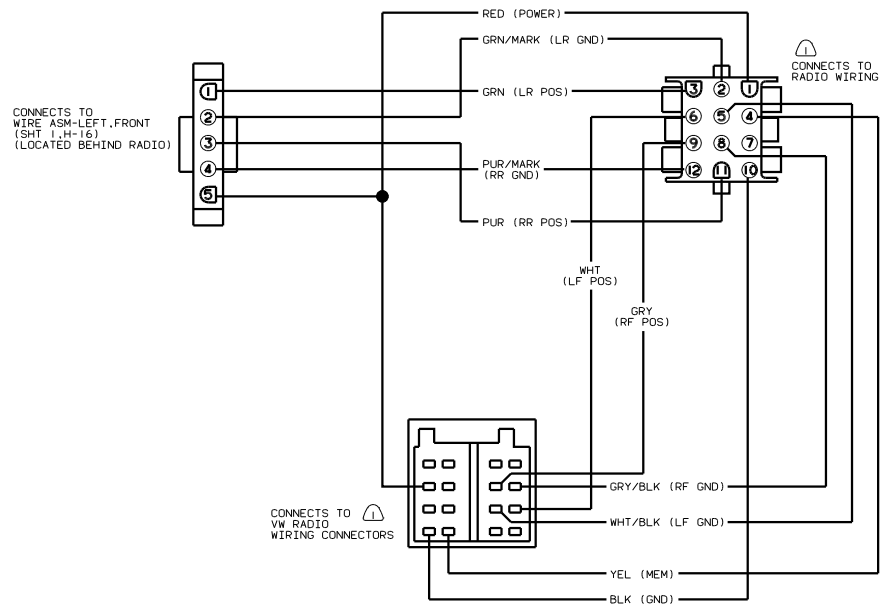
- NOTES:
- ④ SEE MANUFACTURER'S DIAGRAM FOR ADDITIONAL INFORMATION.
  - ③ SUPPLIED WITH CHASSIS.
  - ② SEE WIRING DIAGRAM-AUTO LAMPS FOR ADDITIONAL INFORMATION.
  - ① SEE SHT 2 FOR ADDITIONAL INFORMATION.



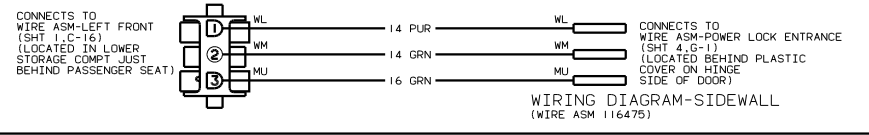
NOTES:  
 2 SEE SHT 1 FOR ADDITIONAL INFORMATION.  
 1 SEE MANUFACTURER'S DIAGRAM FOR ADDITIONAL INFORMATION.

CONNECTS TO GENERATOR

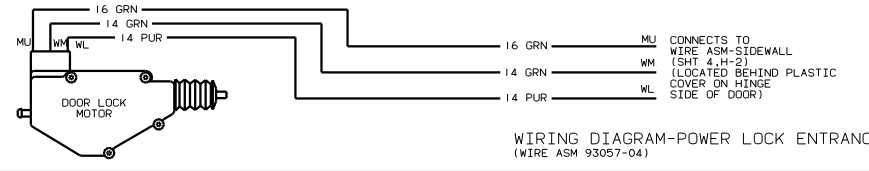
99 2220D  
 WIRING DIAGRAM-BODY 12V  
 TITLE: SHEET 2 OF 3 FILE NO: 130489



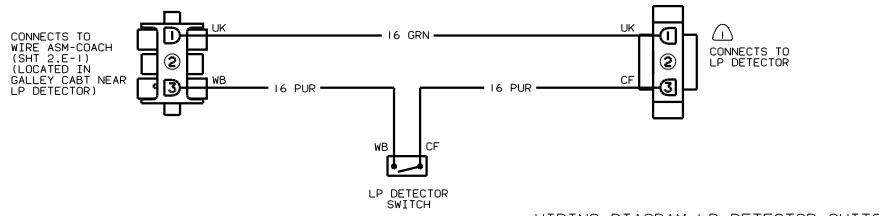
WIRING DIAGRAM-ADAPTER,RADIO (WIRE ASM 114365-02)



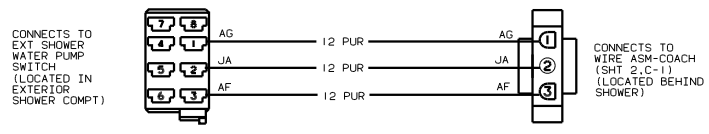
WIRING DIAGRAM-SIDEWALL (WIRE ASM 116475)



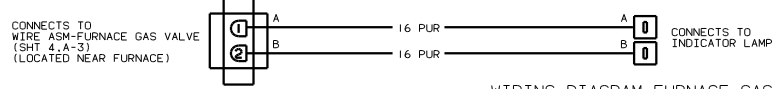
WIRING DIAGRAM-POWER LOCK ENTRANCE (WIRE ASM 93057-04)



WIRING DIAGRAM-LP DETECTOR SWITCH (JAPANESE UNITS ONLY) (WIRE ASM 115733)



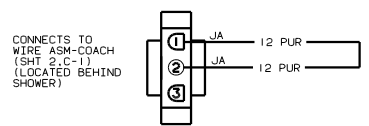
WIRING DIAGRAM WATER PUMP,SWITCH (WIRE ASM 103494-04) (WITH EXTERIOR SHOWER)



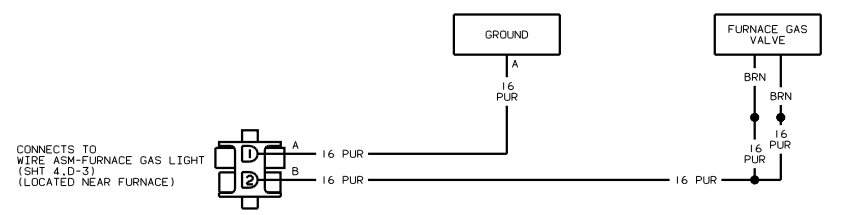
WIRING DIAGRAM-FURNACE GAS LIGHT (JAPANESE UNITS ONLY) (WIRE ASM 107574)



WIRING DIAGRAM-SIDEWALL (WIRE ASM 114745)



WIRING DIAGRAM-JUMPER (WIRE ASM 103493) (WITHOUT EXTERIOR SHOWER)



WIRING DIAGRAM-FURNACE GAS VALVE (JAPANESE UNITS ONLY) (WIRE ASM 107573)

1) SEE MANUFACTURER'S DIAGRAM FOR ADDITIONAL INFORMATION.