

- 17 SECURE PIPES TO CABINET USING WIRE TIE 108046-02-000 AND SCREW G67-10-12U (8)
- 16 USE WITH Q40J.
- 15 USE WITH Q40J.D.
- 14 USED ON CANADIAN UNITS.
- 13 215 DISHWASHER WITHOUT.
- 12 21N DISHWASHER.
- 11 SECURE DRAIN TUBES TO FLOOR.
- 10 54E WASHER/DRYER.
- 9 NOT USED ON CANADIAN UNITS.
- 8 VENT PIPE MUST PROJECT 51 MINIMUM TO 64 MAXIMUM ABOVE ROOF FOR PROPER FIT AND FUNCTION.
- 7 SEE DRAWING 61607-01-000 FOR INSTALLATION OF GROMMET.
- 6 SEAL ALL AROUND SHOWER PAN WITH SILICONE 78474-01-CHT.

- 5. FOR CANADIAN UNITS EACH HOLDING TANK SHALL HAVE A CSA APPROVAL STAMPED NEAR THE IAMPO APPROVAL.
- 4. ALL EXTERIOR OPENINGS AROUND PIPE TO BE SEALED WITH 69637-01-000.
- 3. ALL PIPE AND FITTINGS TO BE ASSEMBLED WITH SOLVENT 4020-01-000.
- 2. SLOPE OF TRAP MUST BE 6 PER 300 MINIMUM.
- 1. SLOPE OF HORIZONTAL PIPING TO BE 6 PER 300 MINIMUM.

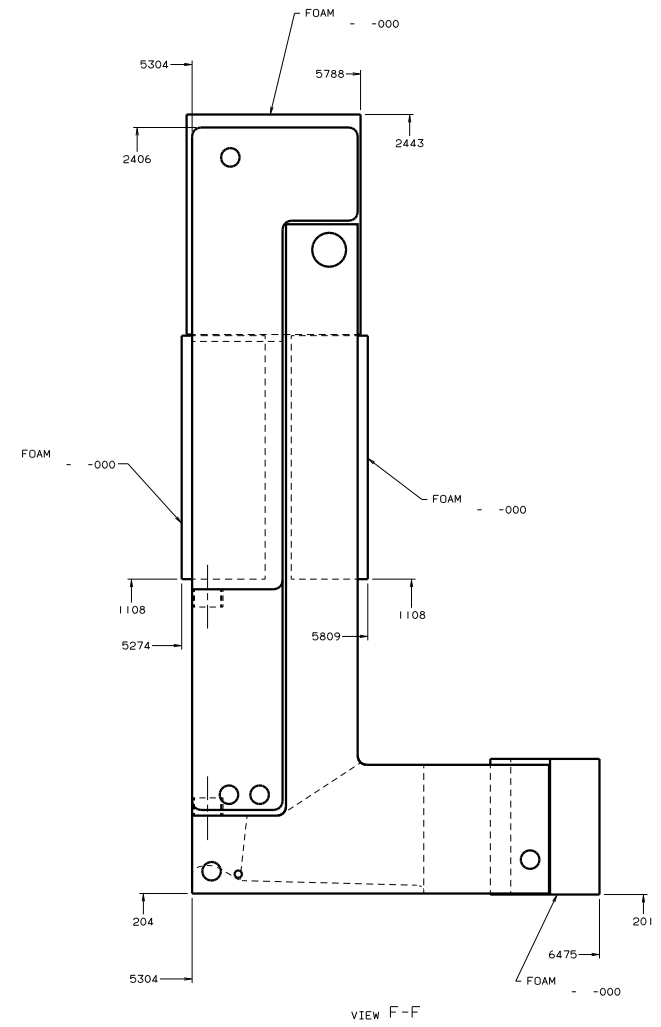
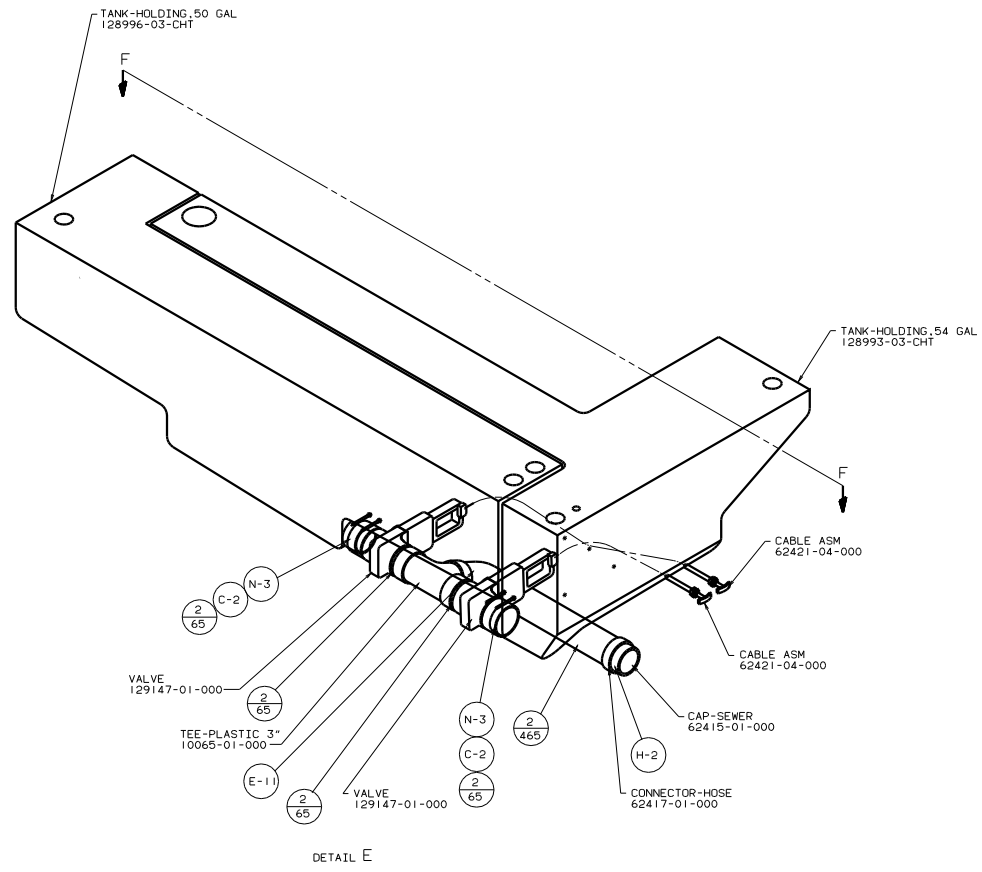
NOTES:

SUPPORT ASM-HOLDING TANK
 131297-01-CHT
 SCREW
 G39-08-08B (4)

- 54V FLOOR COVERING/BATH-VINYL
- 54U FLOOR/BATH-CERAMIC TILE

FOR DRAINAGE CALLOUTS SEE DWG NO. 116229-01-000

WINNEBAGO		99 Q40JD
QTY	DATE	UNSPECIFIED TOLERANCES ARE:
CHG	DATE	WHOLE DIM (IN) ± .0
REV	DATE	ONE-PLACE (IN.XI) ± .005
DATE	DATE	TWO-PLACE (IN.XXX) ± .0005
DATE	DATE	THREE-PLACE (IN.XXXX) ± .0001
DATE	DATE	FOUR-PLACE (IN.XXXX) ± .00005
DATE	DATE	FIVE-PLACE (IN.XXXXX) ± .00001
DATE	DATE	SIX-PLACE (IN.XXXXX) ± .000005
DATE	DATE	SEVEN-PLACE (IN.XXXXX) ± .000001
DATE	DATE	EIGHT-PLACE (IN.XXXXX) ± .0000005
DATE	DATE	NINE-PLACE (IN.XXXXX) ± .0000001
DATE	DATE	TEN-PLACE (IN.XXXXX) ± .00000005
DATE	DATE	ELEVEN-PLACE (IN.XXXXX) ± .00000001
DATE	DATE	TWELVE-PLACE (IN.XXXXX) ± .000000005
DATE	DATE	THIRTEEN-PLACE (IN.XXXXX) ± .000000001
DATE	DATE	FOURTEEN-PLACE (IN.XXXXX) ± .0000000005
DATE	DATE	FIFTEEN-PLACE (IN.XXXXX) ± .0000000001
DATE	DATE	SIXTEEN-PLACE (IN.XXXXX) ± .00000000005
DATE	DATE	SEVENTEEN-PLACE (IN.XXXXX) ± .00000000001
DATE	DATE	EIGHTEEN-PLACE (IN.XXXXX) ± .000000000005
DATE	DATE	NINETEEN-PLACE (IN.XXXXX) ± .000000000001
DATE	DATE	TWENTY-PLACE (IN.XXXXX) ± .0000000000005
DATE	DATE	TWENTY-ONE-PLACE (IN.XXXXX) ± .0000000000001
DATE	DATE	TWENTY-TWO-PLACE (IN.XXXXX) ± .00000000000005
DATE	DATE	TWENTY-THREE-PLACE (IN.XXXXX) ± .00000000000001
DATE	DATE	TWENTY-FOUR-PLACE (IN.XXXXX) ± .000000000000005
DATE	DATE	TWENTY-FIVE-PLACE (IN.XXXXX) ± .000000000000001
DATE	DATE	TWENTY-SIX-PLACE (IN.XXXXX) ± .0000000000000005
DATE	DATE	TWENTY-SEVEN-PLACE (IN.XXXXX) ± .0000000000000001
DATE	DATE	TWENTY-EIGHT-PLACE (IN.XXXXX) ± .00000000000000005
DATE	DATE	TWENTY-NINE-PLACE (IN.XXXXX) ± .00000000000000001
DATE	DATE	THIRTY-PLACE (IN.XXXXX) ± .000000000000000005
DATE	DATE	THIRTY-ONE-PLACE (IN.XXXXX) ± .000000000000000001
DATE	DATE	THIRTY-TWO-PLACE (IN.XXXXX) ± .0000000000000000005
DATE	DATE	THIRTY-THREE-PLACE (IN.XXXXX) ± .0000000000000000001
DATE	DATE	THIRTY-FOUR-PLACE (IN.XXXXX) ± .00000000000000000005
DATE	DATE	THIRTY-FIVE-PLACE (IN.XXXXX) ± .00000000000000000001
DATE	DATE	THIRTY-SIX-PLACE (IN.XXXXX) ± .000000000000000000005
DATE	DATE	THIRTY-SEVEN-PLACE (IN.XXXXX) ± .000000000000000000001
DATE	DATE	THIRTY-EIGHT-PLACE (IN.XXXXX) ± .0000000000000000000005
DATE	DATE	THIRTY-NINE-PLACE (IN.XXXXX) ± .0000000000000000000001
DATE	DATE	FOURTY-PLACE (IN.XXXXX) ± .00000000000000000000005
DATE	DATE	FOURTY-ONE-PLACE (IN.XXXXX) ± .00000000000000000000001
DATE	DATE	FOURTY-TWO-PLACE (IN.XXXXX) ± .000000000000000000000005
DATE	DATE	FOURTY-THREE-PLACE (IN.XXXXX) ± .000000000000000000000001
DATE	DATE	FOURTY-FOUR-PLACE (IN.XXXXX) ± .0000000000000000000000005
DATE	DATE	FOURTY-FIVE-PLACE (IN.XXXXX) ± .0000000000000000000000001
DATE	DATE	FOURTY-SIX-PLACE (IN.XXXXX) ± .00000000000000000000000005
DATE	DATE	FOURTY-SEVEN-PLACE (IN.XXXXX) ± .00000000000000000000000001
DATE	DATE	FOURTY-EIGHT-PLACE (IN.XXXXX) ± .000000000000000000000000005
DATE	DATE	FOURTY-NINE-PLACE (IN.XXXXX) ± .000000000000000000000000001
DATE	DATE	FIFTY-PLACE (IN.XXXXX) ± .0000000000000000000000000005
DATE	DATE	FIFTY-ONE-PLACE (IN.XXXXX) ± .0000000000000000000000000001
DATE	DATE	FIFTY-TWO-PLACE (IN.XXXXX) ± .00000000000000000000000000005
DATE	DATE	FIFTY-THREE-PLACE (IN.XXXXX) ± .00000000000000000000000000001
DATE	DATE	FIFTY-FOUR-PLACE (IN.XXXXX) ± .000000000000000000000000000005
DATE	DATE	FIFTY-FIVE-PLACE (IN.XXXXX) ± .000000000000000000000000000001
DATE	DATE	FIFTY-SIX-PLACE (IN.XXXXX) ± .0000000000000000000000000000005
DATE	DATE	FIFTY-SEVEN-PLACE (IN.XXXXX) ± .0000000000000000000000000000001
DATE	DATE	FIFTY-EIGHT-PLACE (IN.XXXXX) ± .00000000000000000000000000000005
DATE	DATE	FIFTY-NINE-PLACE (IN.XXXXX) ± .00000000000000000000000000000001
DATE	DATE	SIXTY-PLACE (IN.XXXXX) ± .000000000000000000000000000000005
DATE	DATE	SIXTY-ONE-PLACE (IN.XXXXX) ± .000000000000000000000000000000001
DATE	DATE	SIXTY-TWO-PLACE (IN.XXXXX) ± .0000000000000000000000000000000005
DATE	DATE	SIXTY-THREE-PLACE (IN.XXXXX) ± .0000000000000000000000000000000001
DATE	DATE	SIXTY-FOUR-PLACE (IN.XXXXX) ± .00000000000000000000000000000000005
DATE	DATE	SIXTY-FIVE-PLACE (IN.XXXXX) ± .00000000000000000000000000000000001
DATE	DATE	SIXTY-SIX-PLACE (IN.XXXXX) ± .000000000000000000000000000000000005
DATE	DATE	SIXTY-SEVEN-PLACE (IN.XXXXX) ± .000000000000000000000000000000000001
DATE	DATE	SIXTY-EIGHT-PLACE (IN.XXXXX) ± .0000000000000000000000000000000000005
DATE	DATE	SIXTY-NINE-PLACE (IN.XXXXX) ± .0000000000000000000000000000000000001
DATE	DATE	SEVENTY-PLACE (IN.XXXXX) ± .00000000000000000000000000000000000005
DATE	DATE	SEVENTY-ONE-PLACE (IN.XXXXX) ± .00000000000000000000000000000000000001
DATE	DATE	SEVENTY-TWO-PLACE (IN.XXXXX) ± .000000000000000000000000000000000000005
DATE	DATE	SEVENTY-THREE-PLACE (IN.XXXXX) ± .000000000000000000000000000000000000001
DATE	DATE	SEVENTY-FOUR-PLACE (IN.XXXXX) ± .0000000000000000000000000000000000000005
DATE	DATE	SEVENTY-FIVE-PLACE (IN.XXXXX) ± .0000000000000000000000000000000000000001
DATE	DATE	SEVENTY-SIX-PLACE (IN.XXXXX) ± .005
DATE	DATE	SEVENTY-SEVEN-PLACE (IN.XXXXX) ± .001
DATE	DATE	SEVENTY-EIGHT-PLACE (IN.XXXXX) ± .0005
DATE	DATE	SEVENTY-NINE-PLACE (IN.XXXXX) ± .0001
DATE	DATE	EIGHTY-PLACE (IN.XXXXX) ± .005
DATE	DATE	EIGHTY-ONE-PLACE (IN.XXXXX) ± .001
DATE	DATE	EIGHTY-TWO-PLACE (IN.XXXXX) ± .0005
DATE	DATE	EIGHTY-THREE-PLACE (IN.XXXXX) ± .0001
DATE	DATE	EIGHTY-FOUR-PLACE (IN.XXXXX) ± .005
DATE	DATE	EIGHTY-FIVE-PLACE (IN.XXXXX) ± .001
DATE	DATE	EIGHTY-SIX-PLACE (IN.XXXXX) ± .0005
DATE	DATE	EIGHTY-SEVEN-PLACE (IN.XXXXX) ± .0001
DATE	DATE	EIGHTY-EIGHT-PLACE (IN.XXXXX) ± .005
DATE	DATE	EIGHTY-NINE-PLACE (IN.XXXXX) ± .001
DATE	DATE	NINETY-PLACE (IN.XXXXX) ± .0005
DATE	DATE	NINETY-ONE-PLACE (IN.XXXXX) ± .0001
DATE	DATE	NINETY-TWO-PLACE (IN.XXXXX) ± .005
DATE	DATE	NINETY-THREE-PLACE (IN.XXXXX) ± .001
DATE	DATE	NINETY-FOUR-PLACE (IN.XXXXX) ± .0005
DATE	DATE	NINETY-FIVE-PLACE (IN.XXXXX) ± .0001
DATE	DATE	NINETY-SIX-PLACE (IN.XXXXX) ± .005
DATE	DATE	NINETY-SEVEN-PLACE (IN.XXXXX) ± .001
DATE	DATE	NINETY-EIGHT-PLACE (IN.XXXXX) ± .0005
DATE	DATE	NINETY-NINE-PLACE (IN.XXXXX) ± .0001
DATE	DATE	HUNDRED-PLACE (IN.XXXXX) ± .005

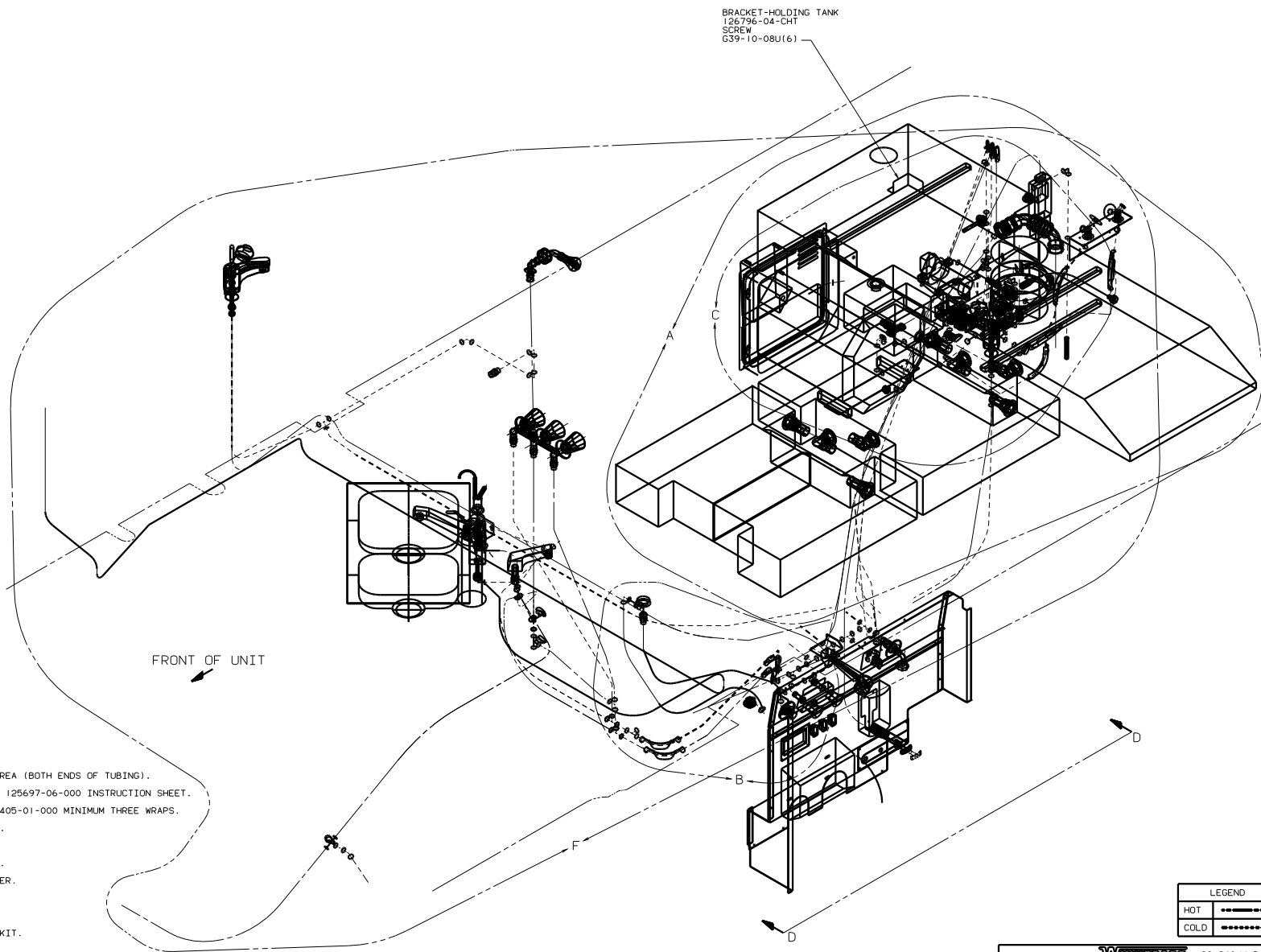


99 Q40J/JD

TITLE: DRAINAGE SYSTEM INSTL		DWG NO: 129970	
DATE: 3/03	BY: J.E.	DATE: 3/03	BY: J.E.
SHEET 3 OF 3		SHEET 3 OF 3	

DWG NO	MODEL	SHEET
129971-01	99 040JD	1,2,3,4,5,6
129971-02	00 040J	1,2,3,4,5,7
129971-03	00 040JD	1,2,3,4,5,7

RELEASE BY DATE OF THIS DRAWING 129971
 REVISION RECORD DATE BY NO



BRACKET-HOLDING TANK
 126796-04-CHT
 SCREW
 G39-10-08U(6)

FRONT OF UNIT

- 1. PLASTIC FITTINGS TO BE SEALED WITH SEALANT 84456-01-000.
- 2. TUBING TO BE INSTALLED WITH SUFFICIENT SLOPE TO PROVIDE DRAINAGE TO NEAREST VALVE.
- 3. ALL TUBING TO BE SECURED AT 1200 INTERVALS MAXIMUM WITH CLAMP 10495-01-000 OR CLIP 91951-01-000 AND SCREW G67-10-12B.
- 4. 53J WINTERIZING KIT.
- 5. USE WITHOUT WINTERIZING KIT.
- 6. 21N DISHWASHER.
- 7. 54E WASHER/DRYER.
- 8. LOCATE BEHIND WASHER/DRYER.
- 9. 21T WASHER/DRYER WITHOUT.
- 10. 53O WINTERIZING KIT.
- 11. 215 DISHWASHER WITHOUT.
- 12. WRAP WITH TEFLON TAPE 10405-01-000 MINIMUM THREE WRAPS.
- 13. FLUSHING SYSTEM REQUIRES 125697-06-000 INSTRUCTION SHEET.
- 14. USE DETAIL "G" IN THIS AREA (BOTH ENDS OF TUBING).
- 15. INSTALL WITH TANK.
- 16. INSTALL ON LINE.

LEGEND	
HOT	-----
COLD	-----

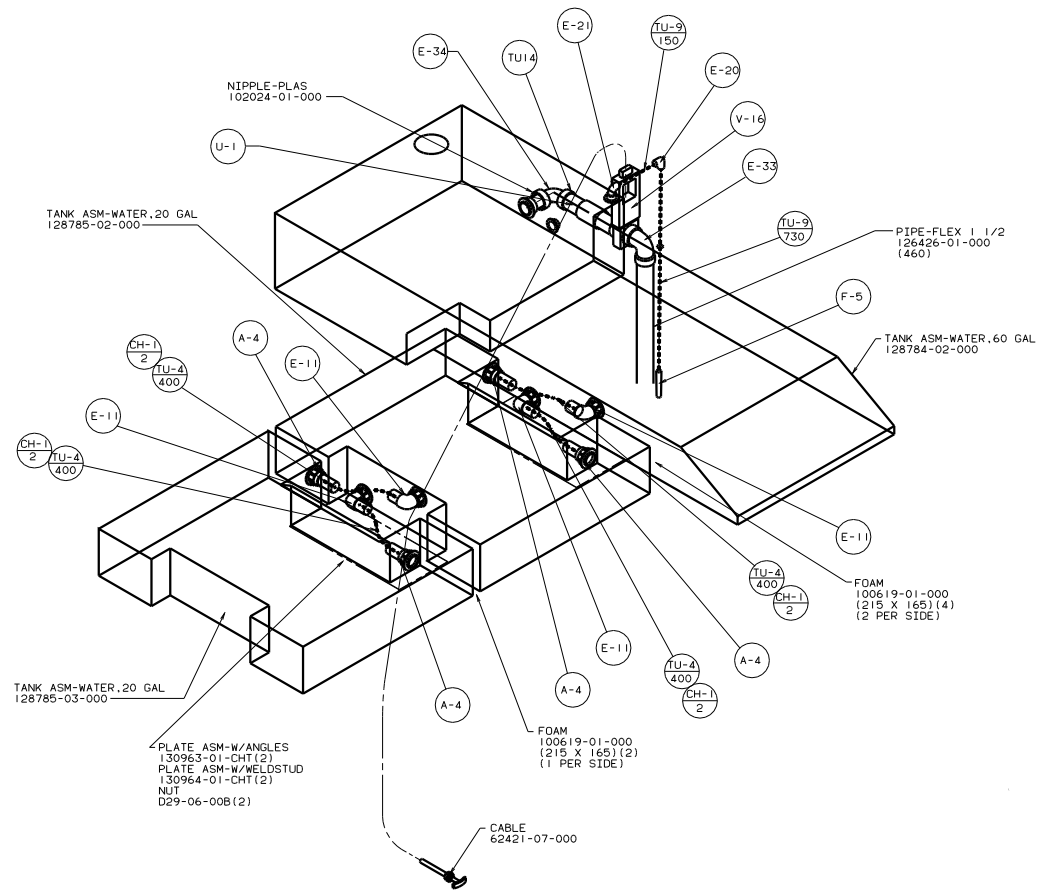
WINNEBAGO 99 040J/JD

QTY	DATE	UNDESIGNED TOLERANCES ARE:	MATERIAL
CHP	DATE	WHOLE DIM (1:1) ± .5	
FPE	DATE	ONE-PLACE (1:1) .1	
FLE	DATE	TWO-PLACE (1:1) .05	
CDR	DATE	THIRD WHOLE PRODUCTION	

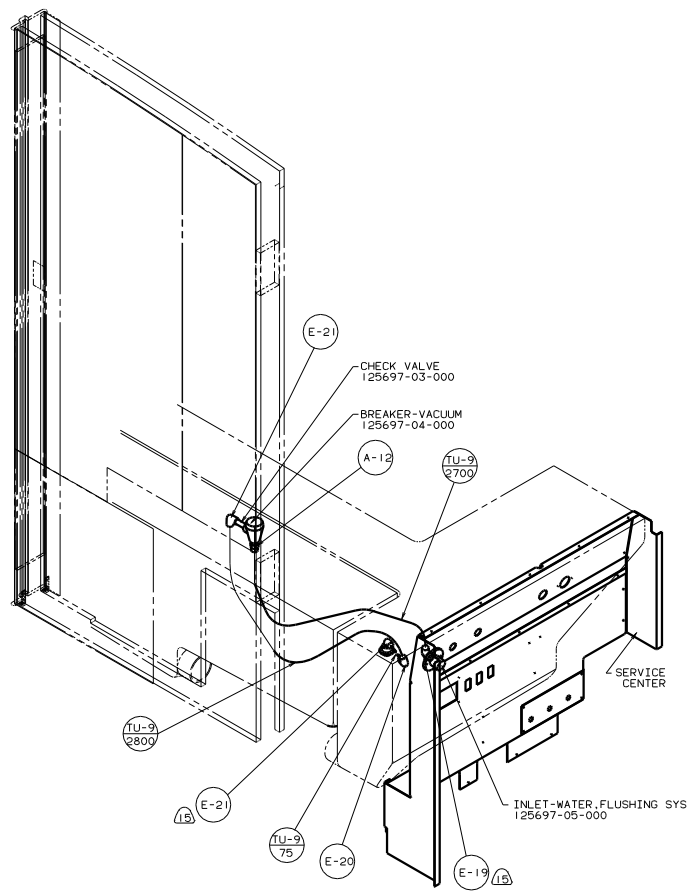
DRW NO: 040JD TITLE: WATER SYSTEM INSTL
 116230-01-000 SHEET 1 OF 7

X-X

FOR WATER CALLOUTS SEE DWG NO. 116230-01-000



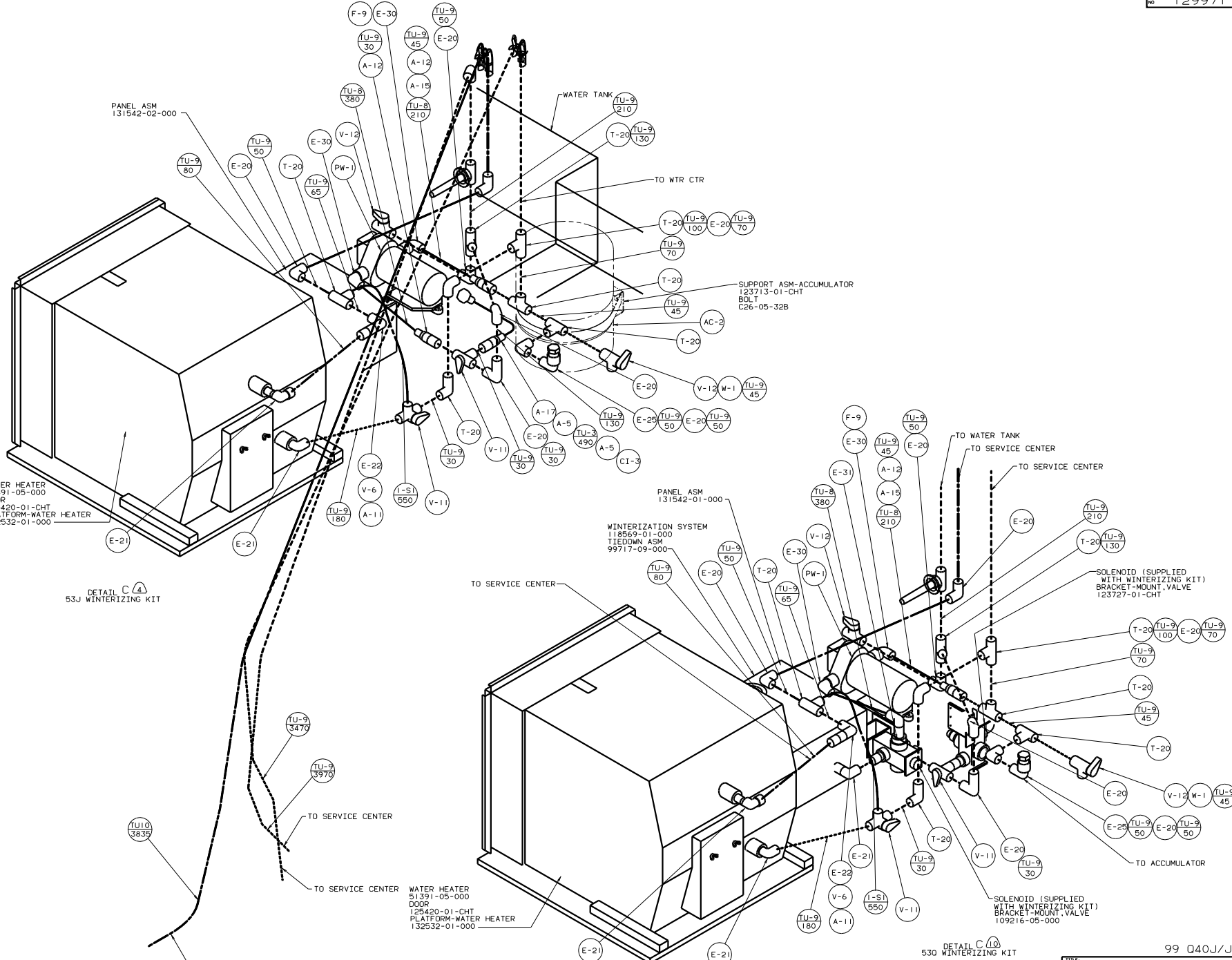
DETAIL A



DETAIL B
FLUSHING SYSTEM

99 Q40J/JD

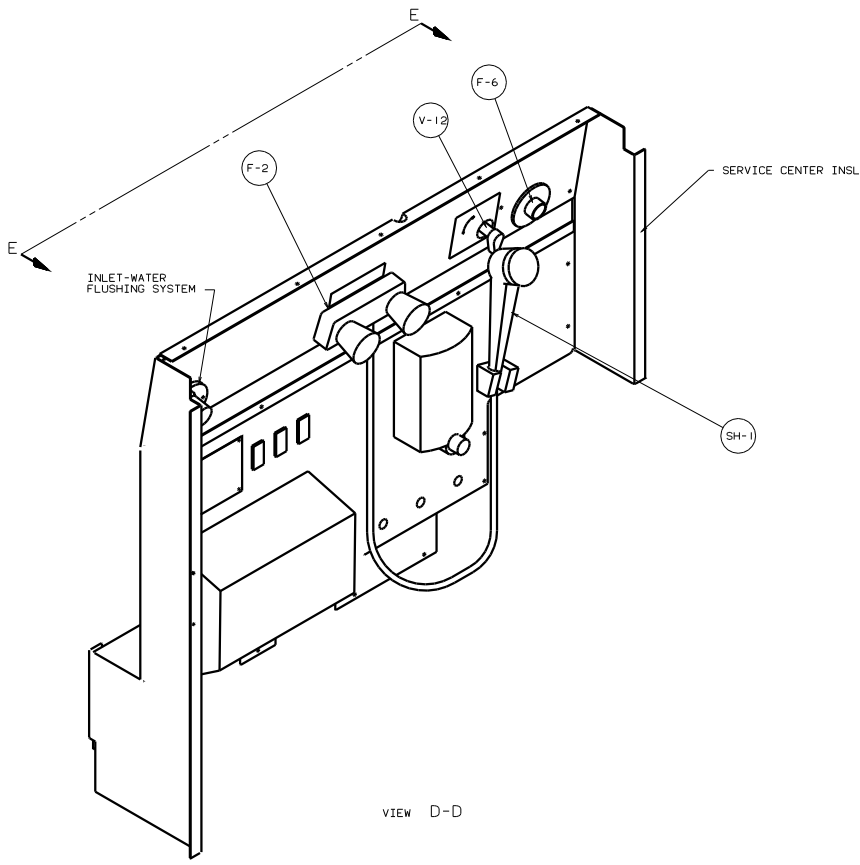
TITLE		WATER SYSTEM INSTL	
NO	SCALE	REV	DATE
2		1	
SHEET 2 OF 7		129971	



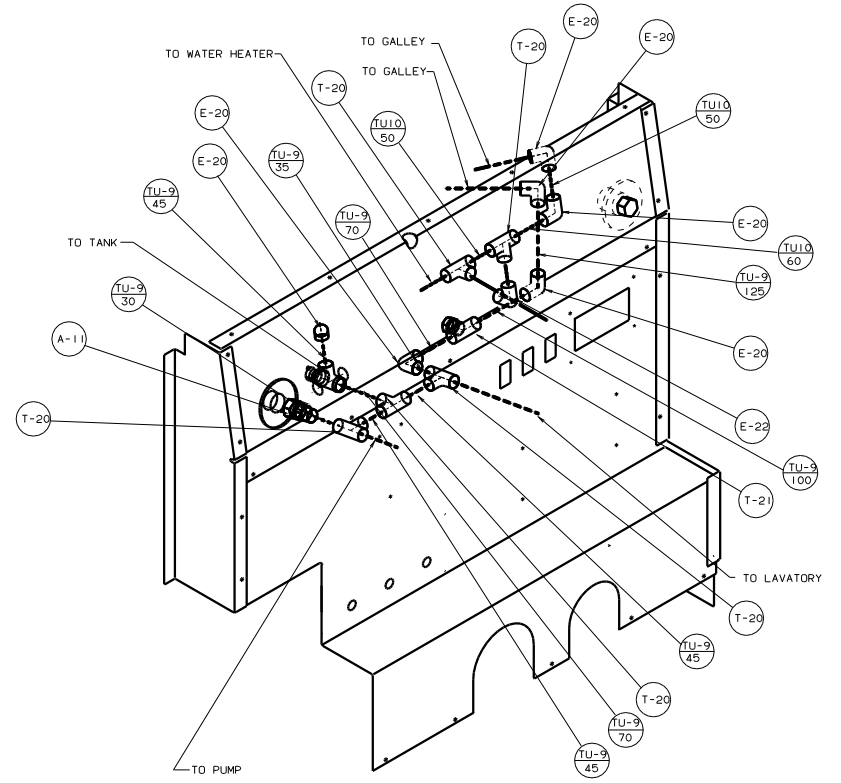
DETAIL C (A) 53J WINTERIZING KIT

DETAIL C (B) 530 WINTERIZING KIT

TITLE		99 Q40J/JD	
WATER SYSTEM INSTL			
NO. OF SHEETS	TOTAL SHEETS	DATE	BY
3 OF 7	16		
		129971	

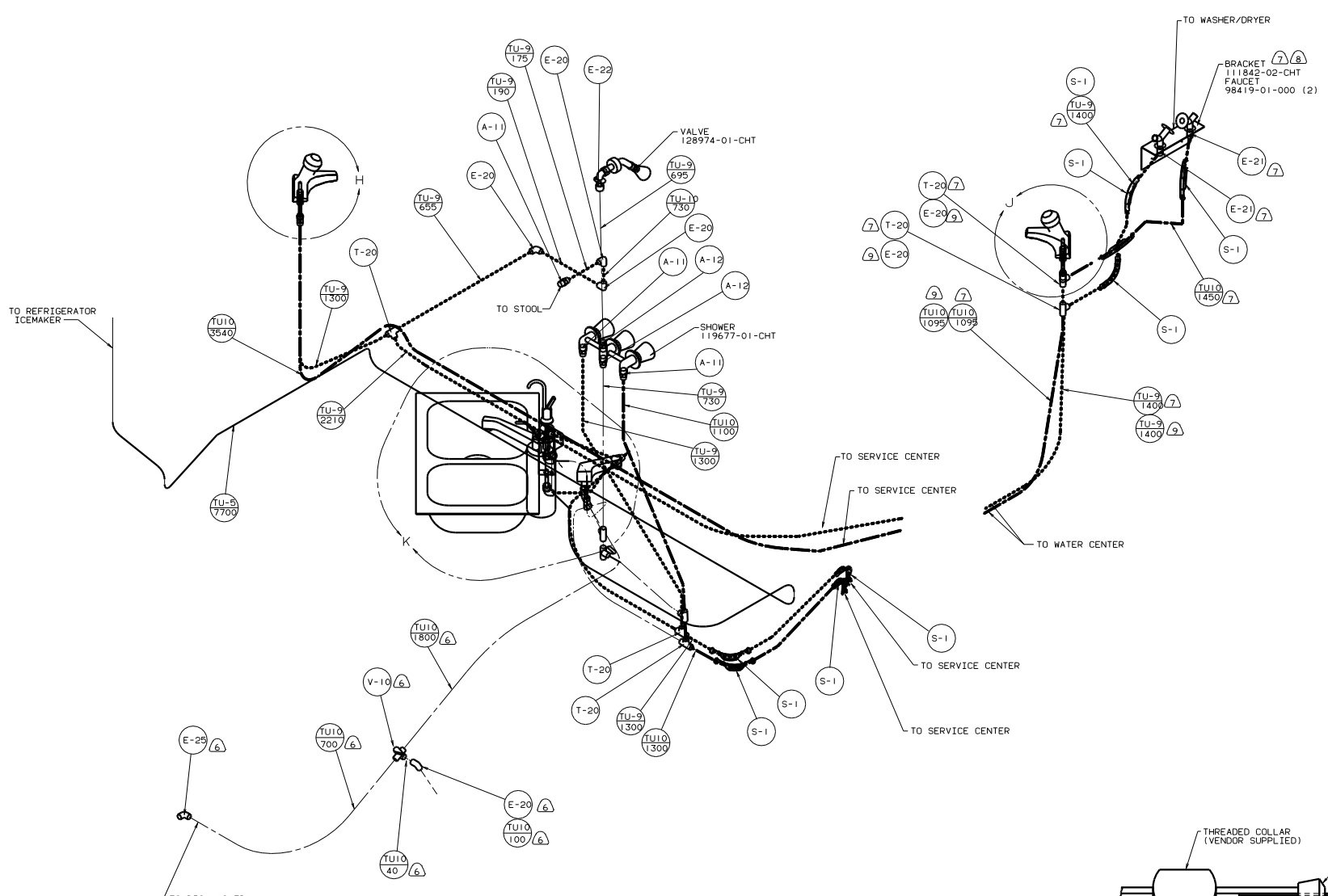


VIEW D-D



VIEW E-E

99 Q40J/JD	
TITLE: WATER SYSTEM INSL	
NO. OF SHEETS	TOT. SHEETS
4 OF 7	16
DWG. NO. 129971	



TO REFRIGERATOR
ICEMAKER

TO STOOL

VALVE
128974-01-CHT

SHOWER
119677-01-CHT

TO SERVICE CENTER

TO SERVICE CENTER

TO WATER CENTER

TO SERVICE CENTER

TO SERVICE CENTER

TO WASHER/DRYER

BRACKET
111842-02-CHT
FAUCET
98419-01-000 (2)

TO DISHWASHER

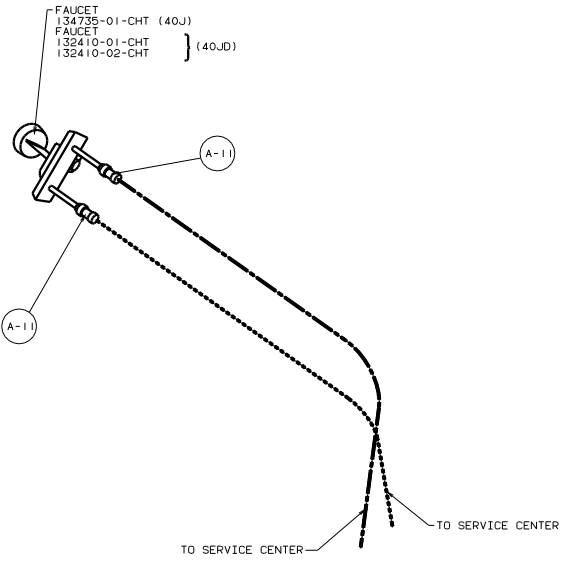
THREADED COLLAR
(VENDOR SUPPLIED)

1/4" TUBE

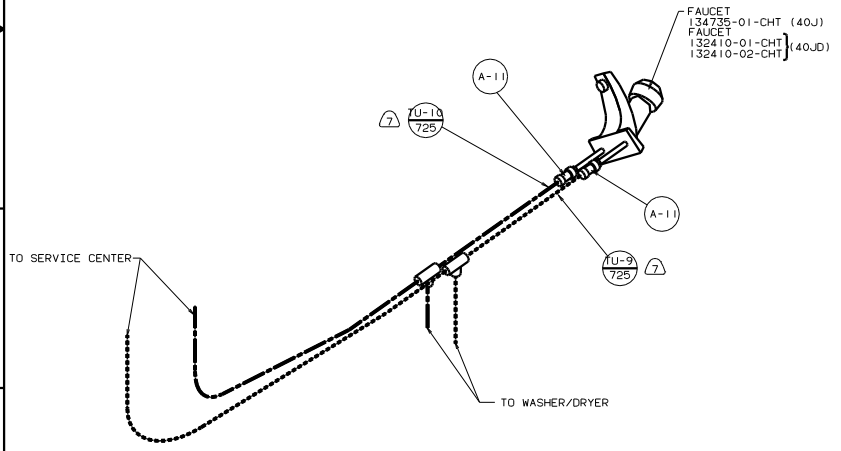
DETAIL G

99 Q40J/JD

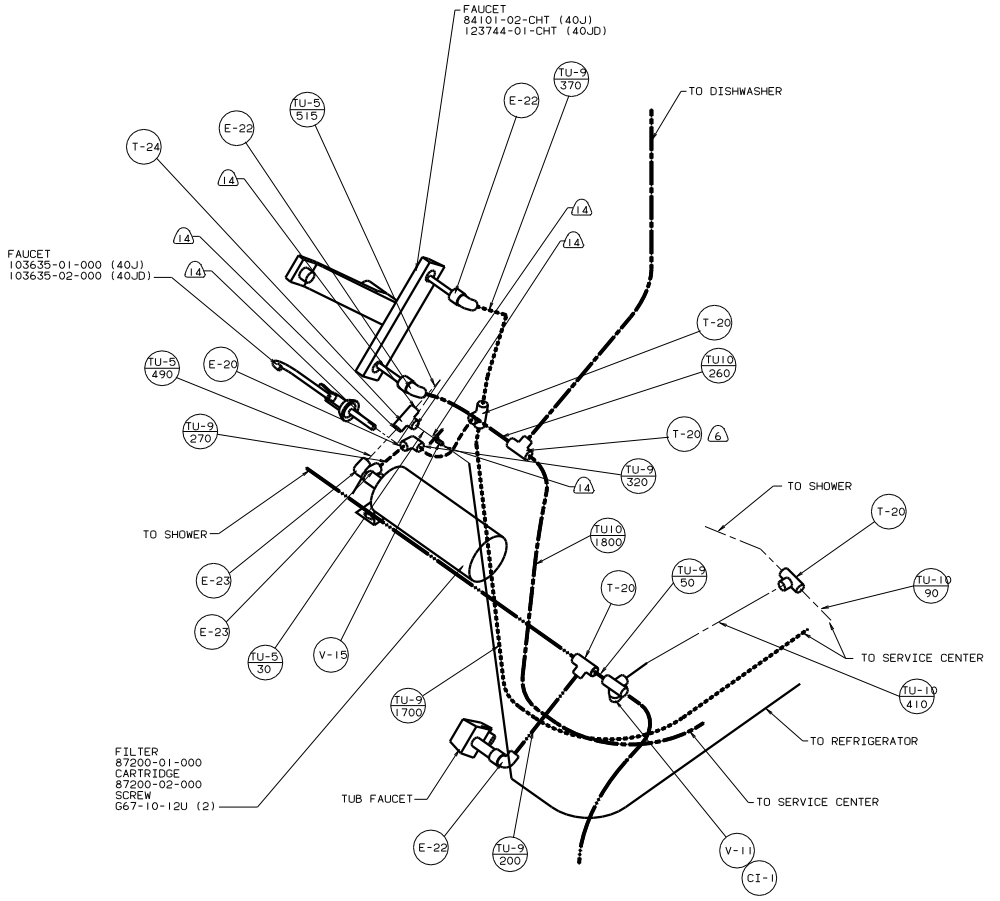
TITLE		WATER SYSTEM INSTL	
NO. OF SHEETS	DATE	BY	CHK
5 OF 7	11/16		
SHEET		129971	



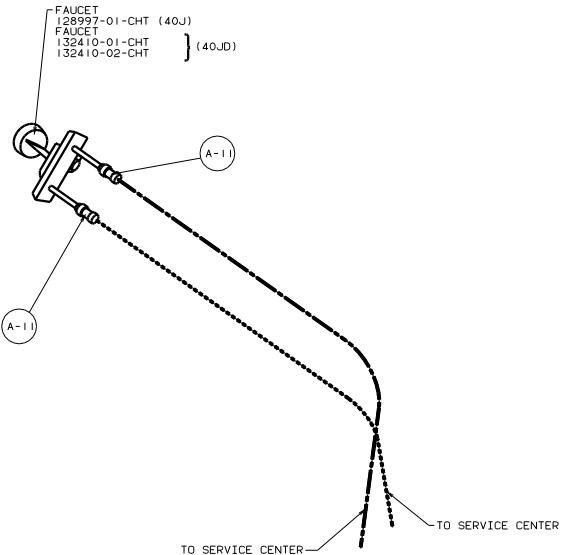
DETAIL H



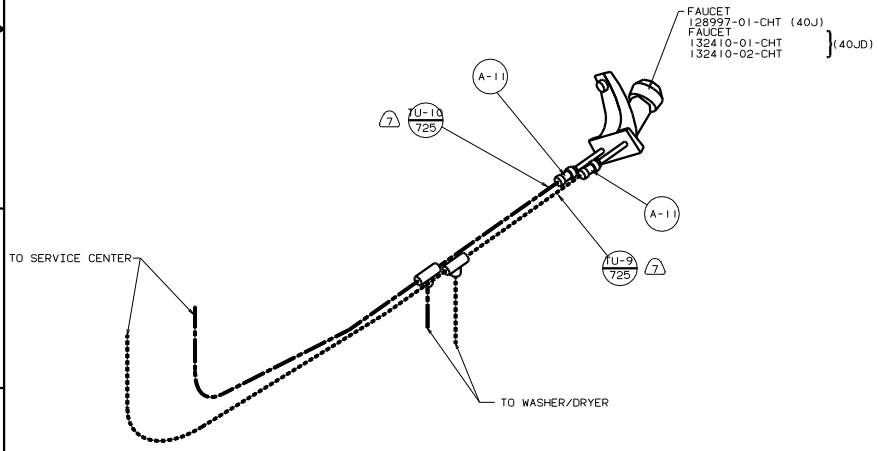
DETAIL J



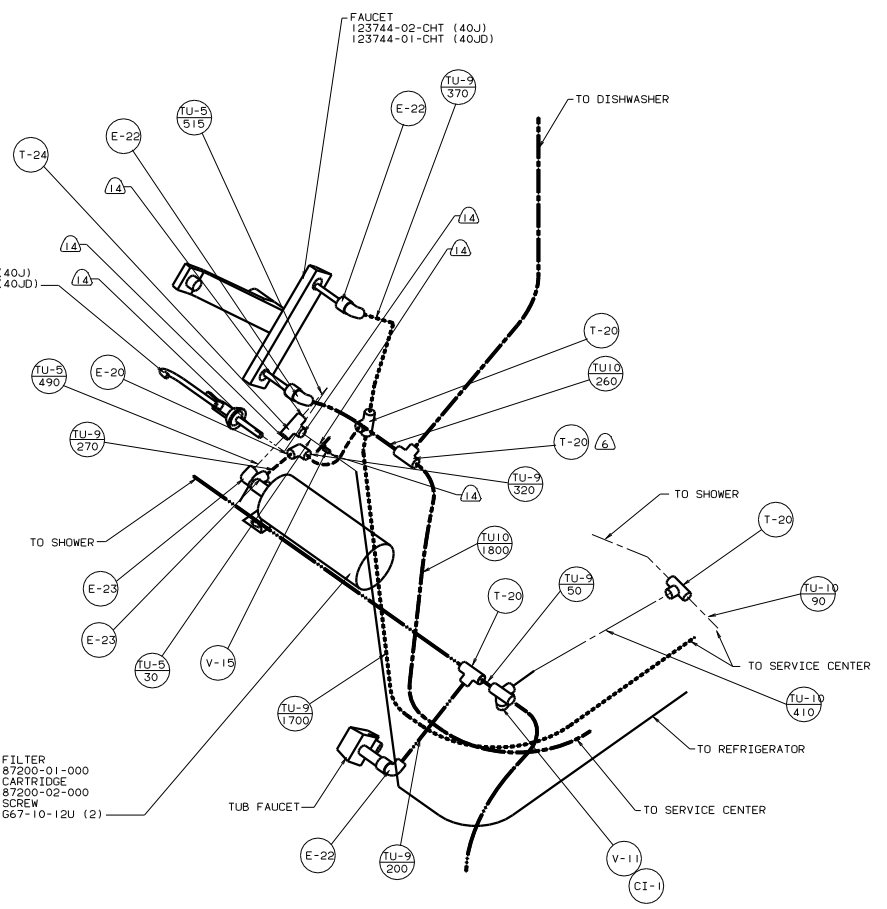
DETAIL K



DETAIL H



DETAIL J



DETAIL K