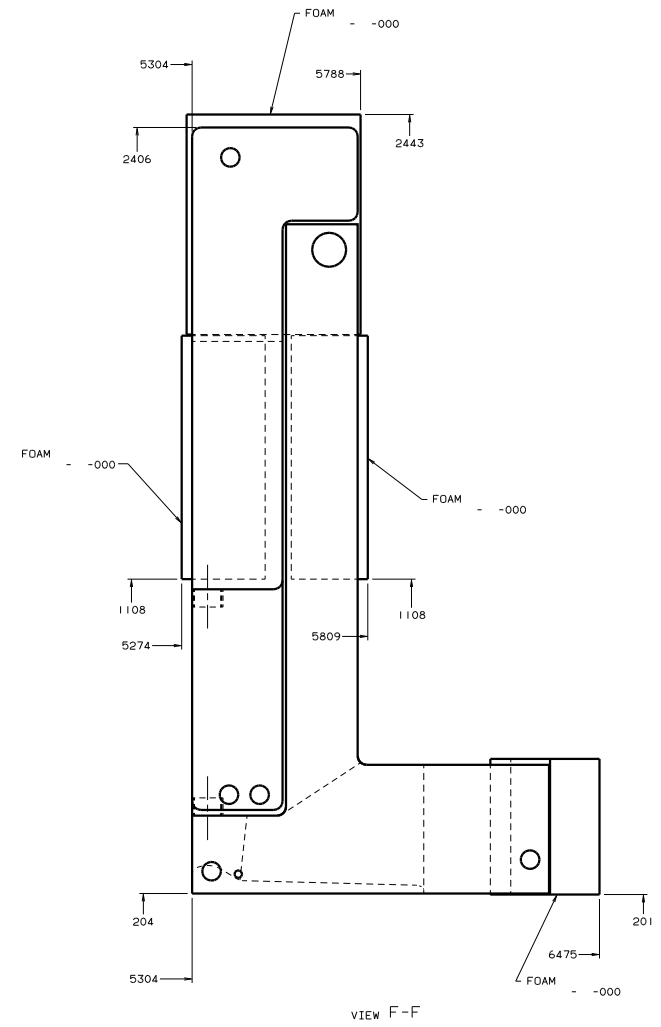


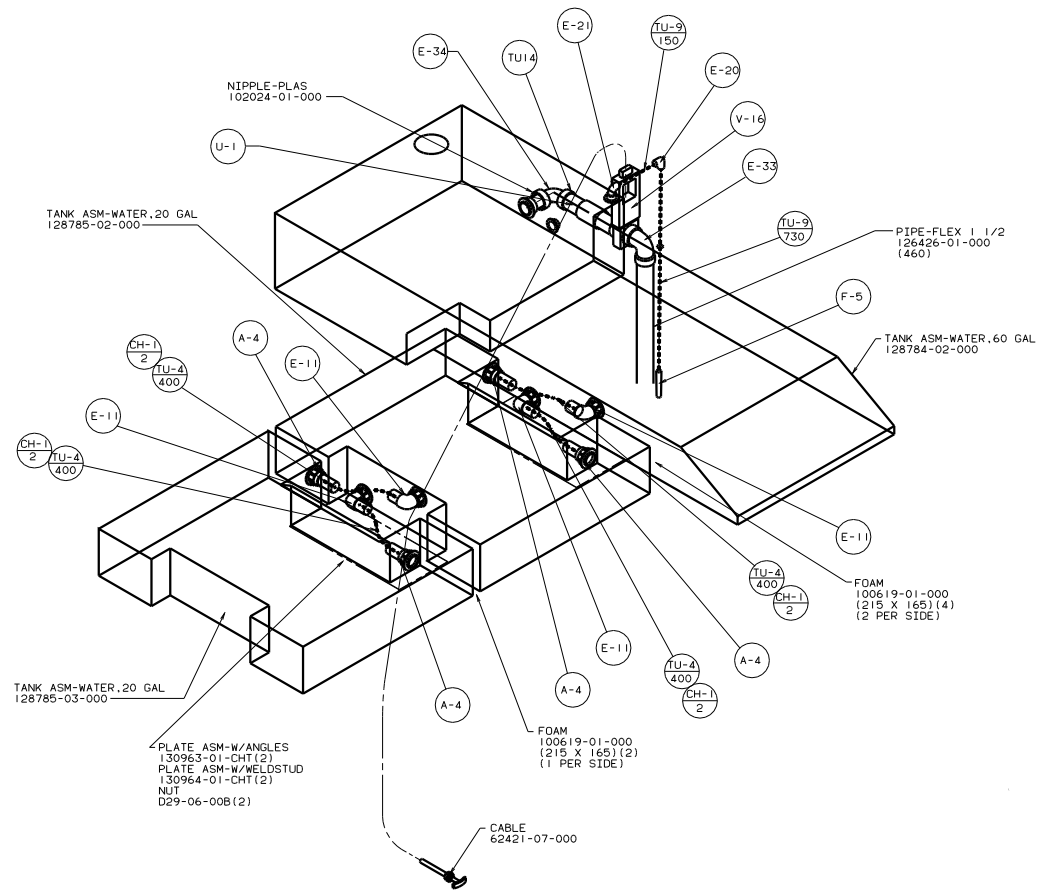
DETAIL E



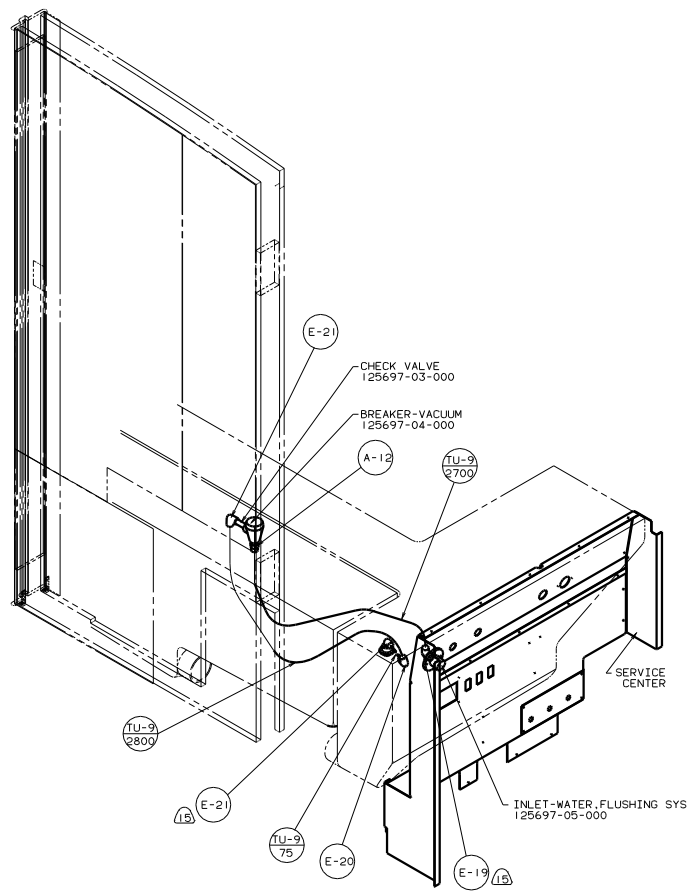
VIEW F-F

99 Q40J/JD

TITLE: DRAINAGE SYSTEM INSTL		DATE: 11/01/00	DESIGNER: JLD
DRAWN BY: JLD		CHECKED BY: JLD	DATE: 11/01/00
SHEET 3 OF 3		JOB NO: 129970	



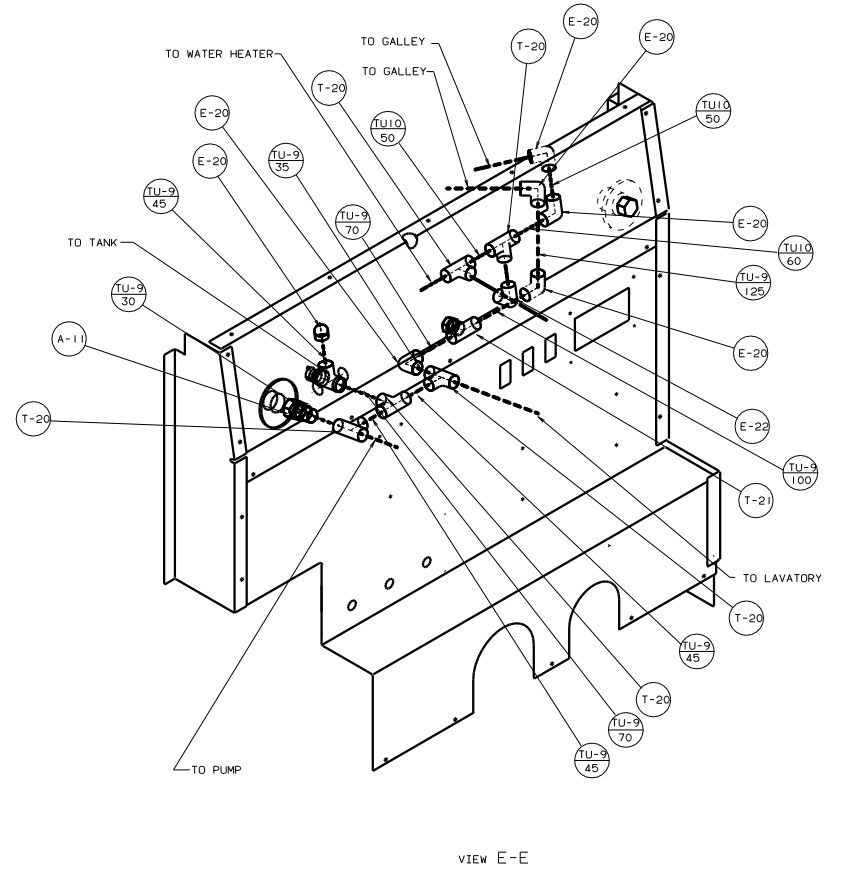
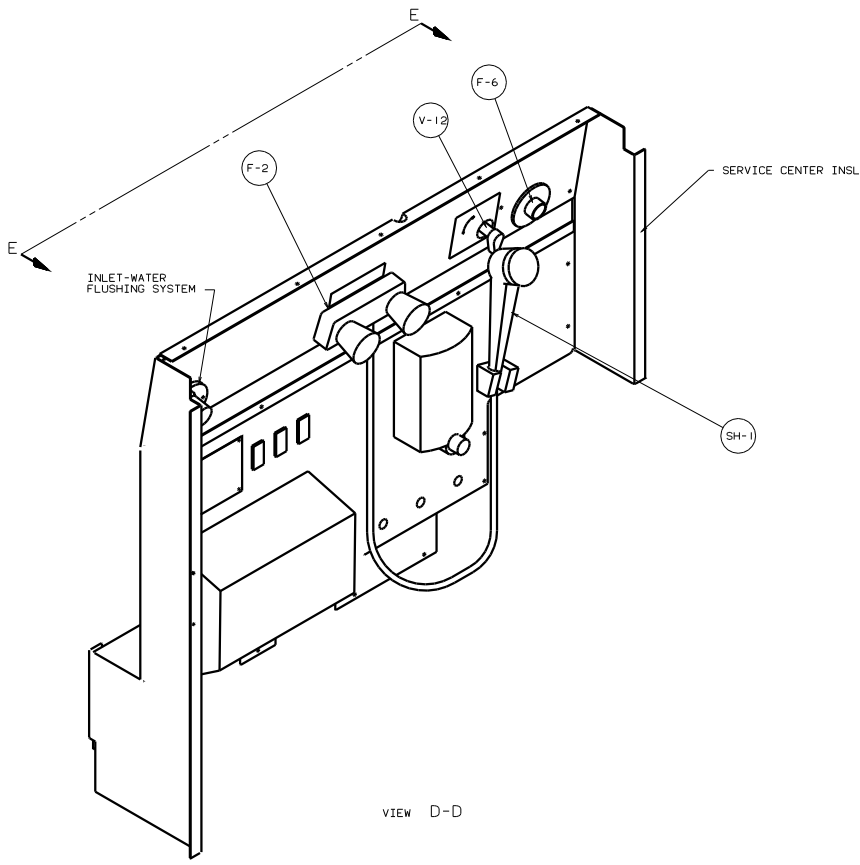
DETAIL A



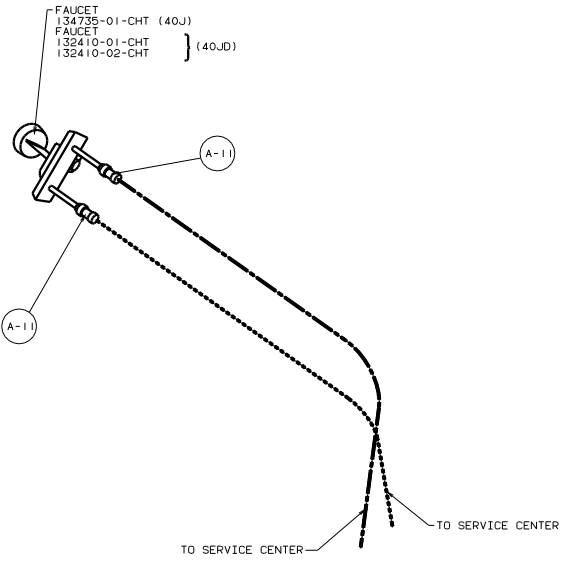
DETAIL B
FLUSHING SYSTEM

99 Q40J/JD

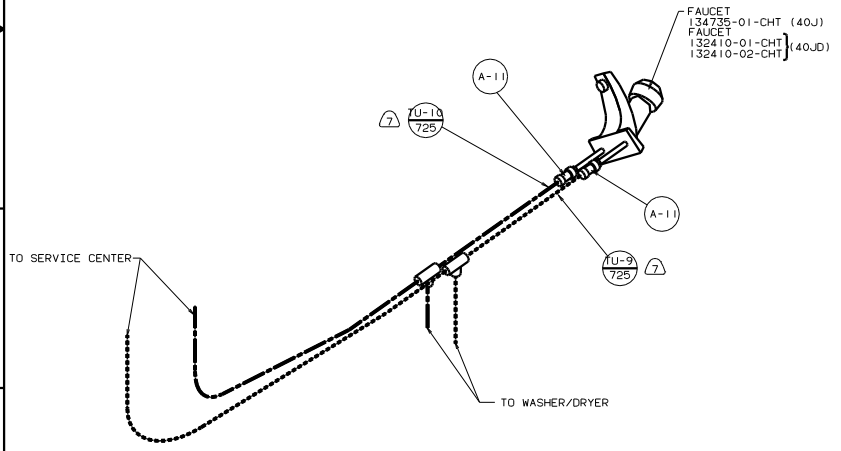
TITLE		WATER SYSTEM INSTL	
NO	SCALE	REV	DATE
2		1	11/01
SHEET 2 OF 7		129971	



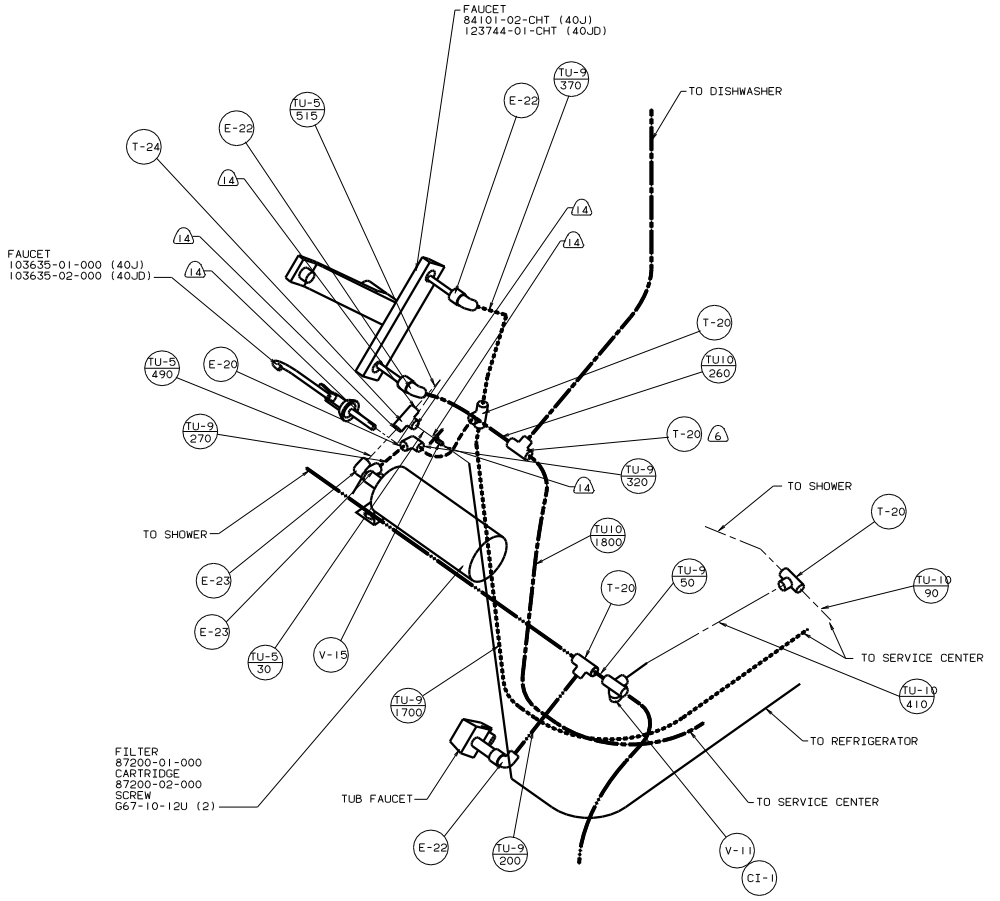
99 Q40J/JD	
TITLE: WATER SYSTEM INSL	
NO. OF SHEETS	TOT. SHEETS
4 OF 7	16
DWG. NO. 129971	



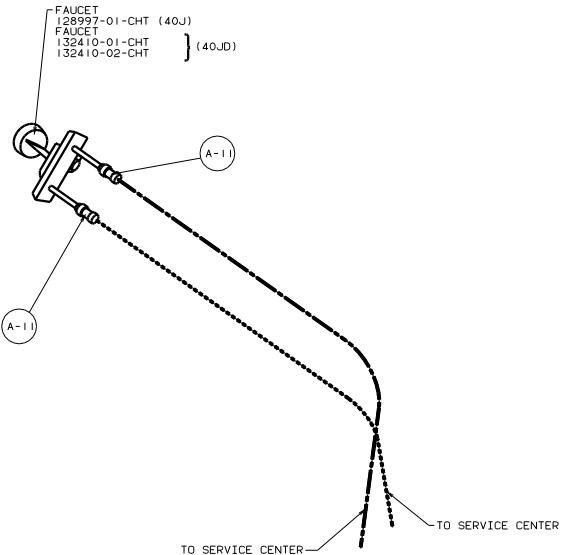
DETAIL H



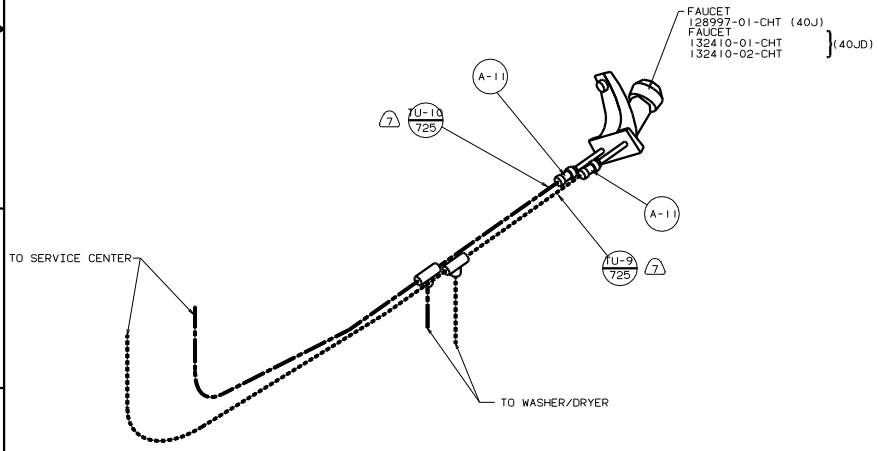
DETAIL J



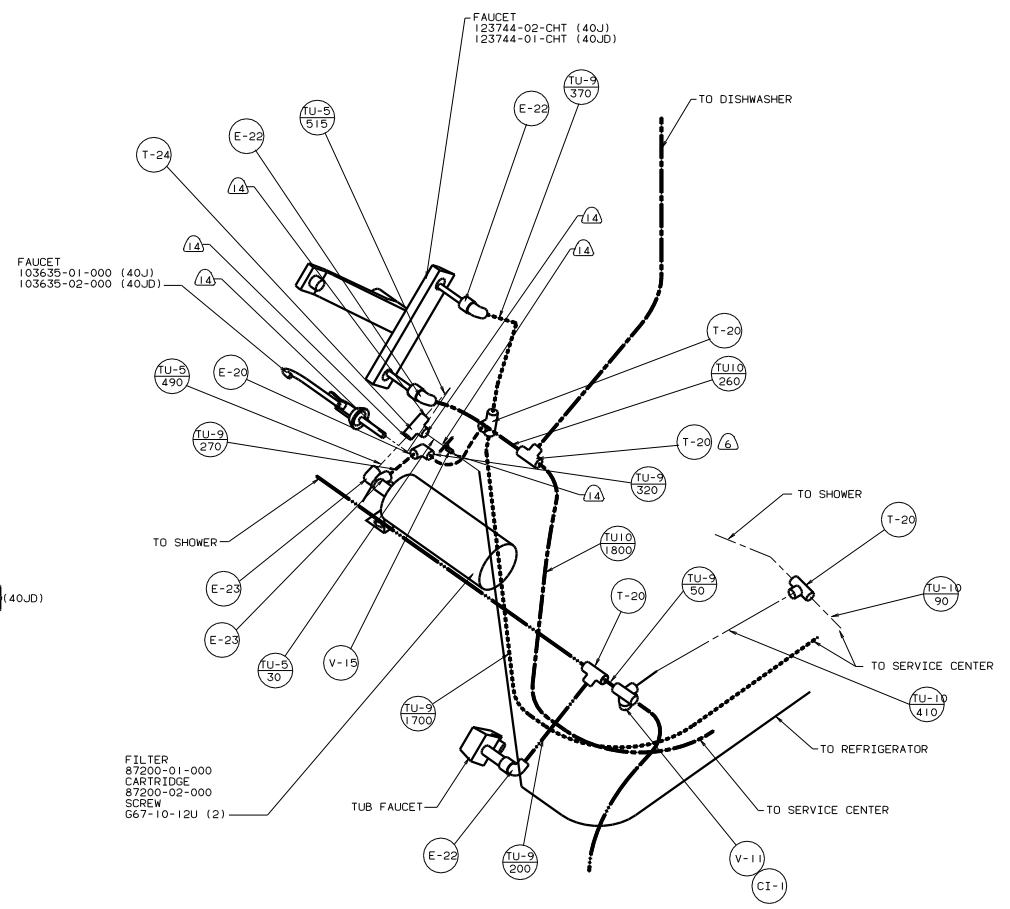
DETAIL K



DETAIL H



DETAIL J



DETAIL K