

SINK  
 113539-02-CHT  
 SEAL  
 91255-02-000 (A/R)

SINK  
 110654-01-000(US/CAN)  
 RETAINER  
 77351-30-000 (2)  
 83125-02-000 (2)  
 77351-32-000 (3)  
 STRAINER W/BASKET  
 92303-01-000(2)  
 SEALER  
 91255-02-000(A/R)  
 WASHER  
 127440-02-CHT(2)  
 SCREW  
 G67-06-10U(22)

CLAMP  
 62401-05-000(3)  
 BRACKET  
 95061-01-000(6)  
 SCREW  
 G67-10-12B(6)

TANK ASM  
 128996-02-000

TANK ASM  
 128993-02-000

TOILET-CHINA  
 85330-08-CHT

BRACKET-CARRIER  
 129408-01-CHT  
 SCREW  
 G67-10-12B(7)

BRACKET-COVER  
 129406-01-CHT  
 SCREW  
 G67-10-12B(4)

SUPPORT-HOLDING TANK  
 131297-01-CHT  
 SCREW  
 G39-08-08B (4)

- (16) 038K.
- (19) 038KD.
- (14) DISHWASHER WITHOUT 215.
- (13) 21N DISHWASHER.
- (12) INCLUDED WITH GALLEY STRAINER.
- (11) SECURE DRAIN TUBES TO FLOOR.
- (10) 54E WASHER/DRYER.
- (9) NOT USED ON CANADIAN UNITS.
- (8) VENT PIPE MUST PROJECT 51 MIN TO 64 MAX ABOVE ROOF FOR PROPER FIT AND FUNCTION.
- (7) SEE DWG 61607-01-000 FOR INSTL OF GROMMET.
- (6) SEAL ALL AROUND SHOWER PAN WITH SILICONE 78474-01-CHT.

5. FOR CANADIAN UNITS EACH HOLDING TANK SHALL HAVE A CSA APPROVAL STAMPED NEAR THE IAPMO APPROVAL.
4. ALL EXTERIOR OPENINGS AROUND PIPE TO BE SEALED WITH 69637-01-000.
3. ALL PIPE AND FITTINGS TO BE ASSEMBLED WITH SOLVENT 4020-01-000.
2. SLOPE OF TRAP MUST BE 6 PER 300 MINIMUM.
1. SLOPE OF HORIZONTAL PIPING TO BE 6 PER 300 MINIMUM.

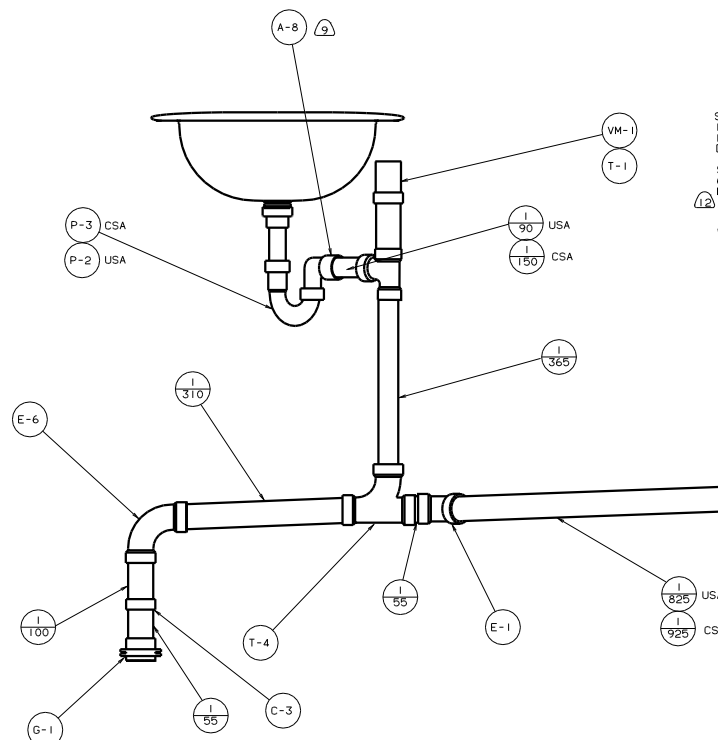
17. SECURE PIPES TO CABINET USING WIRE TIE 108046-02-000 AND SCREW G67-10-12U (8).

(X-X)  
 FOR DRAINAGE CALL-OUTS SEE DWG NO. 116229-01-000

(54V) FLOOR COVERING/BATH-VINYL  
 (54U) FLOOR/BATH-CERAMIC TILE

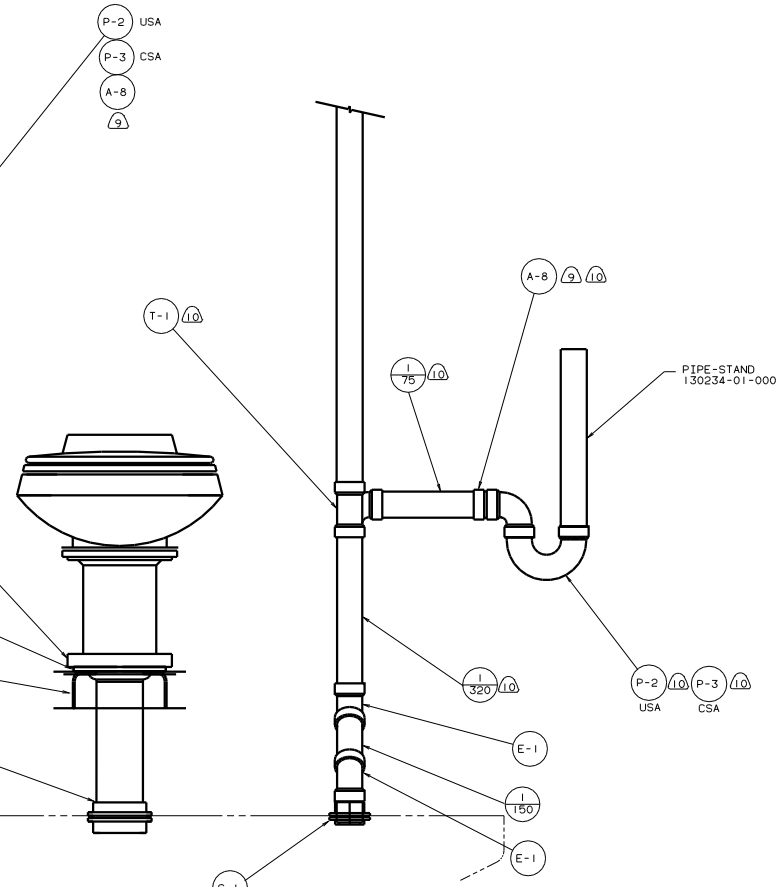
QTY	DATE	UNDESIGNED TOLERANCES ARE:	MATERIAL
DATE	WHOLE DIM (IN)		
DATE	ONE-PLACE (IN.XI)		
DATE	TWO-PLACE (IN.XX)		
DATE	THREE-PLACE (IN.XXX)		
DATE	THREE WHOLE INCHES		

LENTH 10		TITLE: 99 038KD	
REV A		DATE: 11/15/92	
SCALE: NONE		DWG NO: 129592	
NO. SHEETS: 3		SHEET: 1	
ALL DIMENSIONS ARE IN MILLIMETERS			



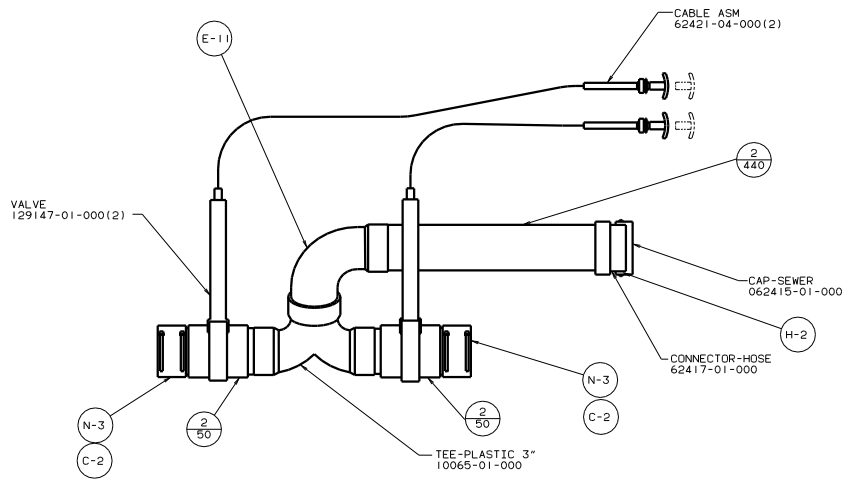
- SHOWER INSTL-ENCLOSURE  
 123806-02-XXX  
 127290-01-XXX  
 DRAIN  
 120981-01-000(USA)  
 STRAINER  
 66729-01-000(CSA)  
 NUT-STRAINER  
 130405-01-000  
 130405-01-000  
 11069-06-000  
 WASHER-RUBBER  
 127440-02-CHT

VIEW A-A

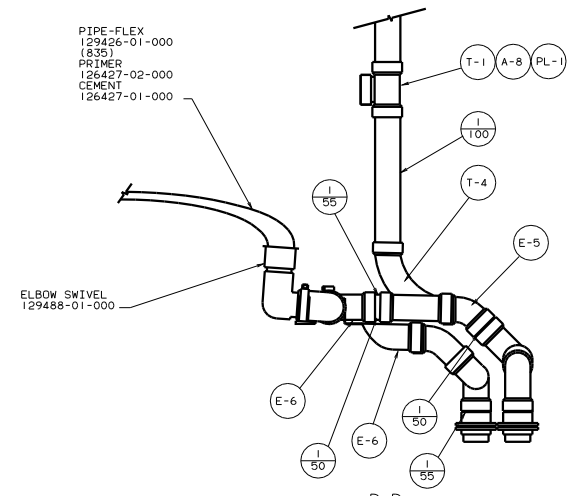


VIEW B-B

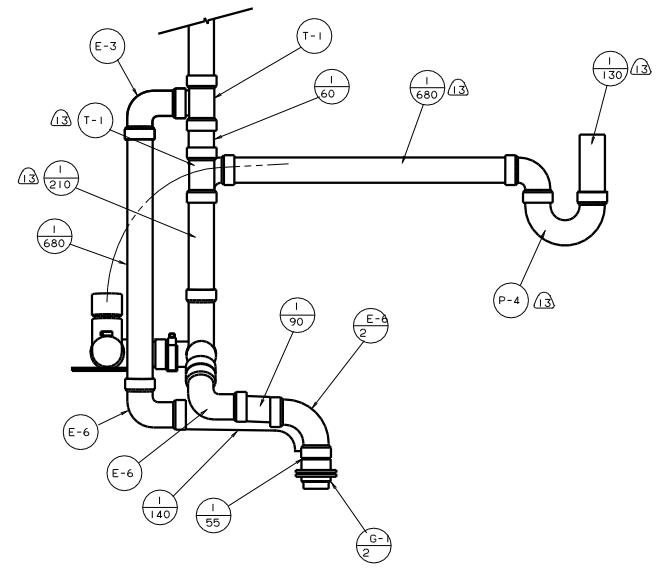
- 54U G57-14-72B (8)  
 54V G57-14-64B (8)



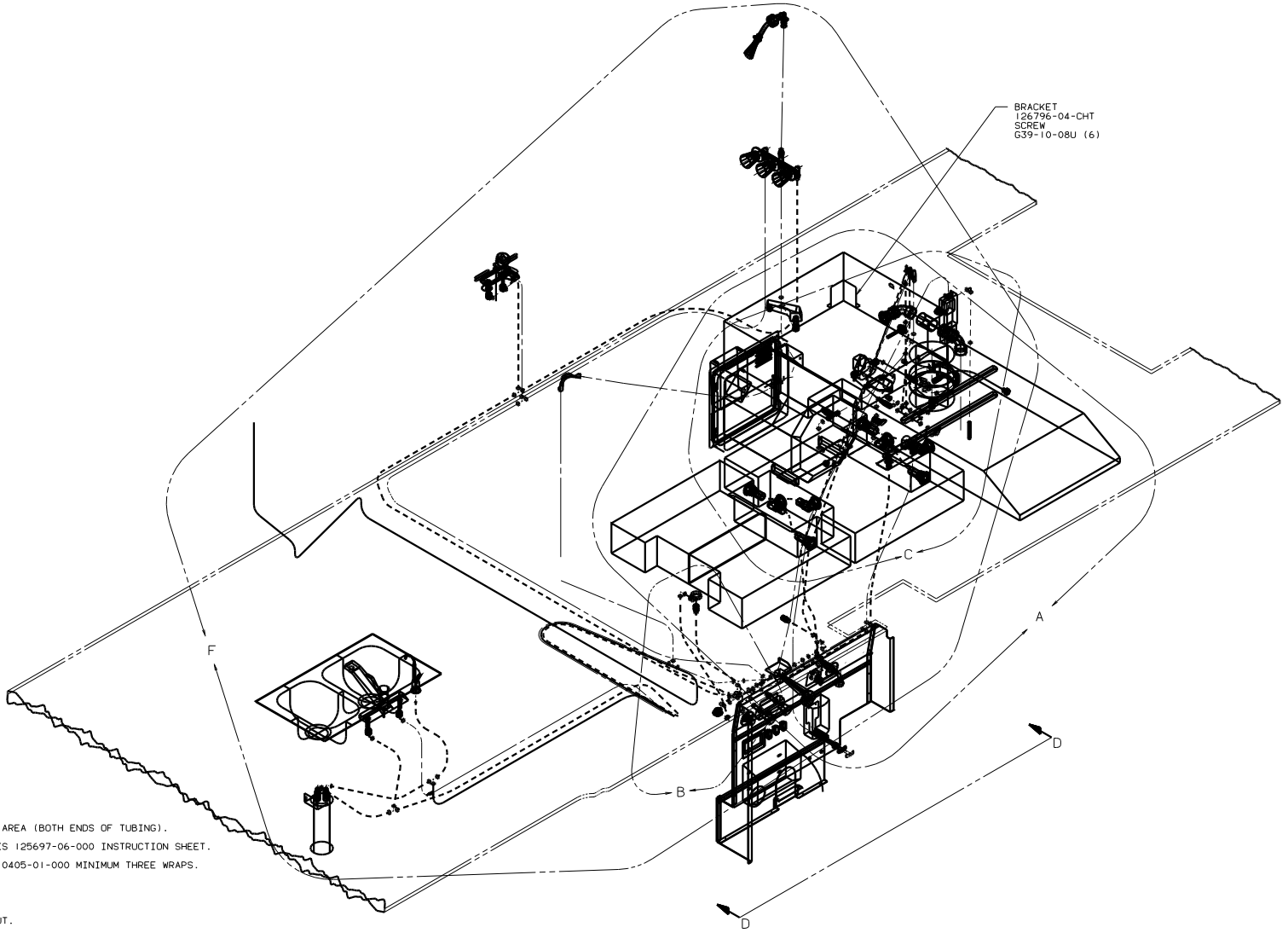
VIEW C-C



VIEW D-D



DWG NO	----	SHEETS
129591-01	99 038KD	1.2.3.4.5
129591-02	99 038K	1.2.3.4.5
129591-03	00 038KD	1.2.3.4.6
129591-04	00 038K	1.2.3.4.6

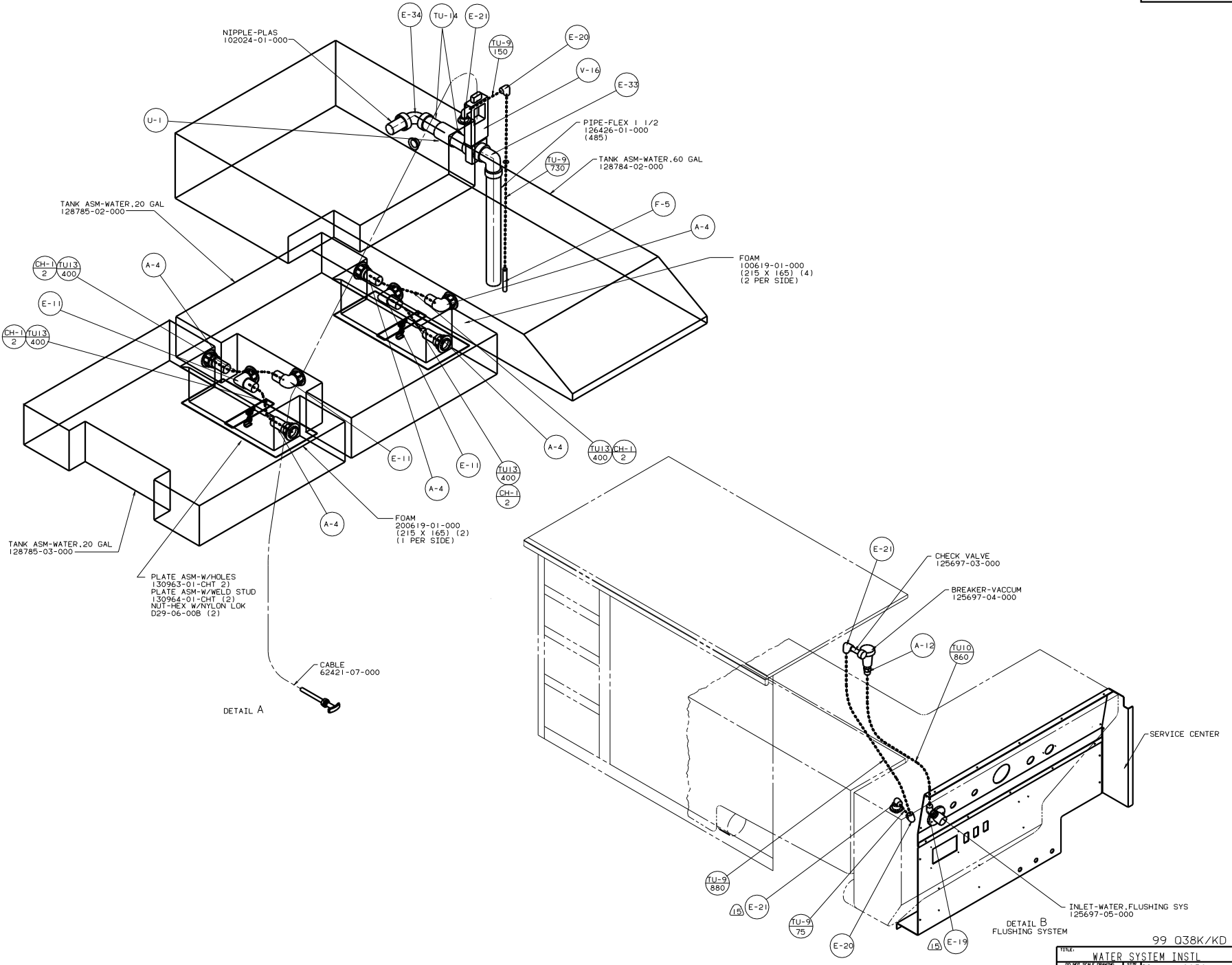


- ⑬ INSTALL ON LINE.  
 ⑭ INSTALL WITH TANK.  
 ⑫ USE DETAIL "G" IN THIS AREA (BOTH ENDS OF TUBING).  
 ⑬ FLUSHING SYSTEM REQUIRES 125697-06-000 INSTRUCTION SHEET.  
 ⑫ WRAP WITH TEFLON TAPE 10405-01-000 MINIMUM THREE WRAPS.  
 ⑪ 215 DISHWASHER WITHOUT.  
 ⑩ 530 WINTERIZING KIT.  
 ⑨ 21T WASHER/DRYER-WITHOUT.  
 ⑧ LOCATE BEHIND WASHER/DRYER.  
 ⑦ 54E WASHER/DRYER.  
 ⑥ 21N DISHWASHER/BUILT-IN.  
 ⑤ USE WITHOUT WINTERIZING KIT.  
 ④ 53J WINTERIZING KIT.
- ALL TUBING TO BE SECURED AT 1200 INTERVALS MAXIMUM WITH CLAMP 10495-01-000 OR CLIP 91951-01-000 AND SCREW G67-10-12B.
  - TUBING TO BE INSTALLED WITH SUFFICIENT SLOPE TO PROVIDE DRAINAGE TO NEAREST VALVE.
  - PLASTIC FITTINGS TO BE SEALED WITH SEALANT 84456-01-000.

LEGEND	
HOT	-----
COLD	.....

(X-X)  
 FOR  
 WATER  
 CALL-OUTS  
 SEE DWG NO.  
 116230-01-000

<b>WINNEGAGO</b>		99 038K/KD
OP/IN	DATE	UNDESIGNED TOLERANCES ARE:
COMP	DATE	WHOLE DIM (1:1) . . . . .
TYPE	DATE	ONE-PLACE (1:1) . . . . .
D/E	DATE	TWO-PLACE (1:1) . . . . .
	DATE	ANGLE . . . . .
COOR	DATE	THIRD ANGLE PERSPECTIVE
LANE # 038KD	TITLE	
REV #	SCALE	NOTE
ALL DIMENSIONS ARE IN MILLIMETERS	SHEET	1 OF 6
WATER SYSTEM INSTL		129591

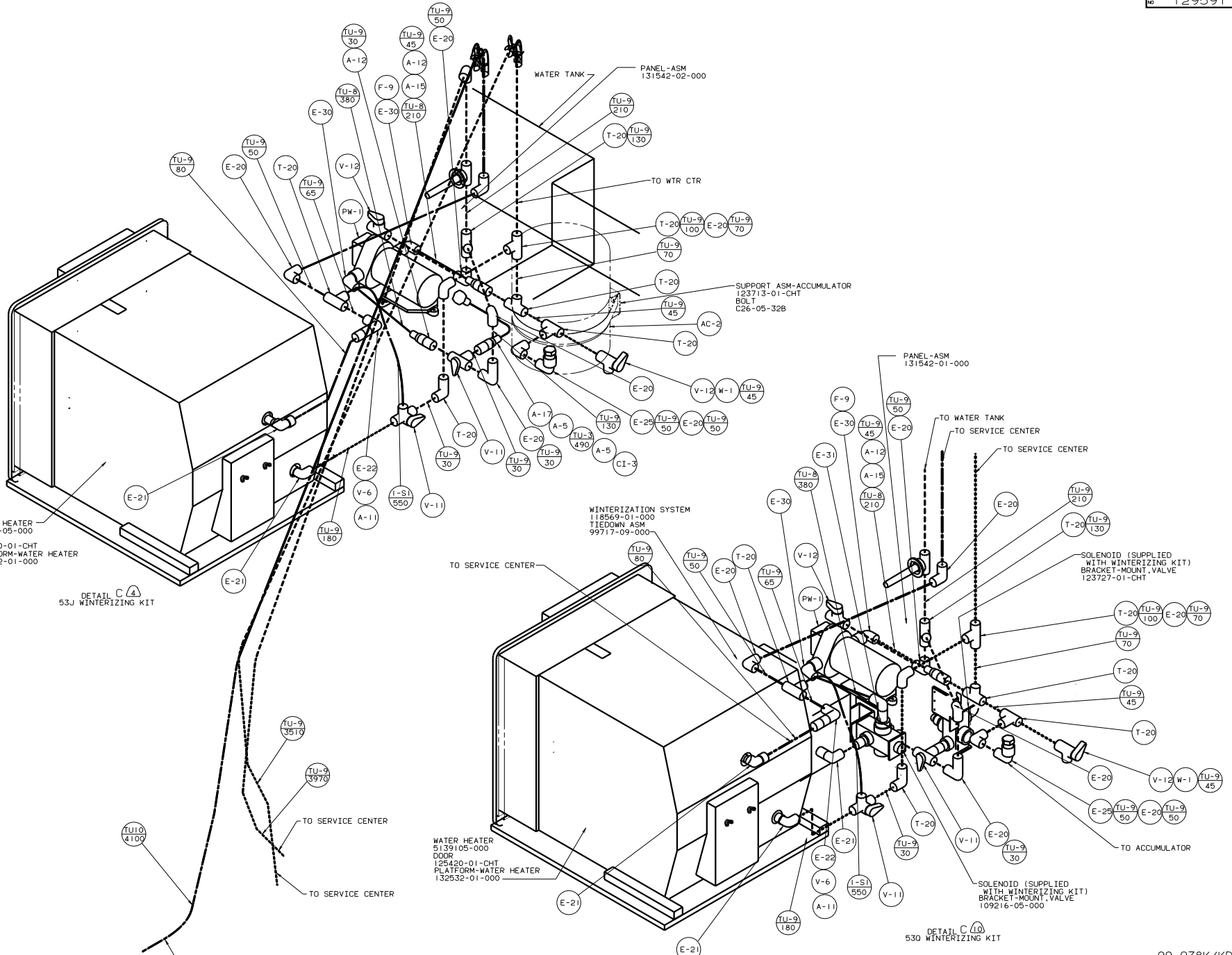


DETAIL A

DETAIL B  
FLUSHING SYSTEM

99 Q38K/KD

TITLE: WATER SYSTEM INSTL	
NO. OF SHEETS	TOTAL SHEETS
SHEET 2 OF 6	16
129591	



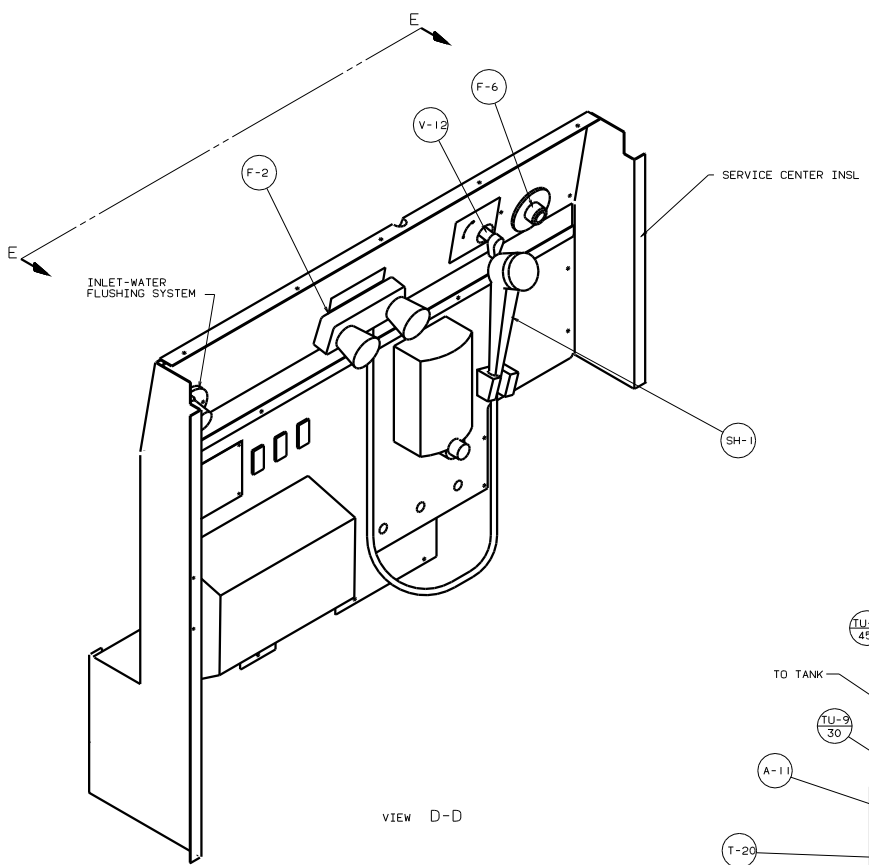
WATER HEATER  
51391-05-000  
DOOR  
125420-01-CHT  
PLATFORM-WATER HEATER  
132532-01-000

DETAIL C (A)  
53J WINTERIZING KIT

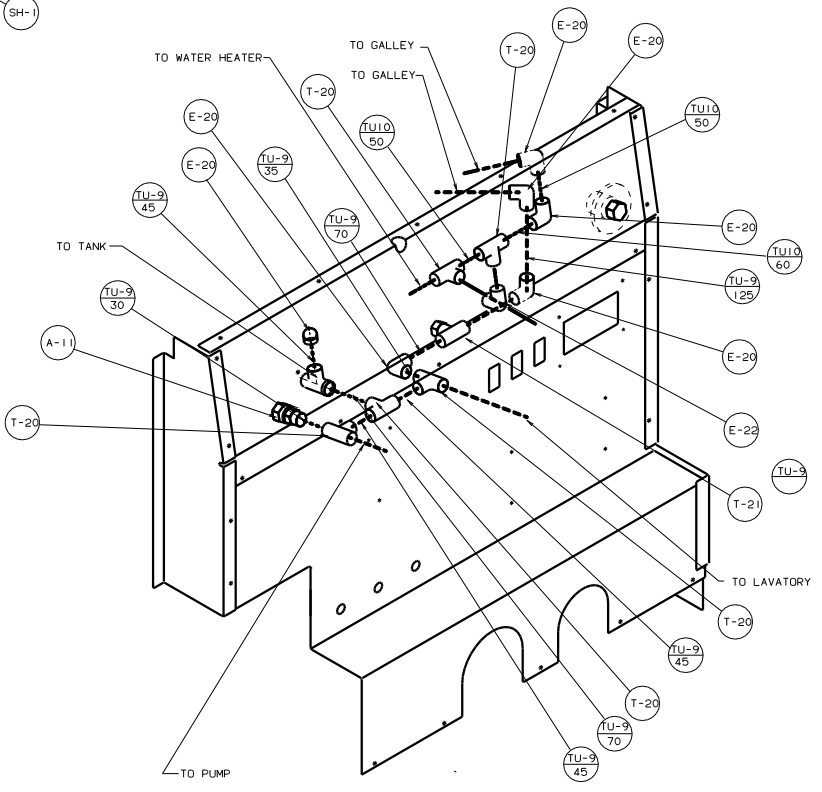
WINTERIZATION SYSTEM  
118569-01-000  
TIEDOWN ASM  
99717-09-000

WATER HEATER  
5139105-000  
DOOR  
125420-01-CHT  
PLATFORM-WATER HEATER  
132532-01-000

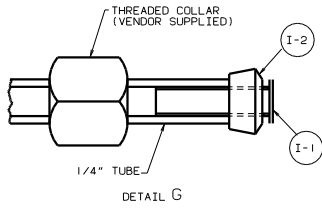
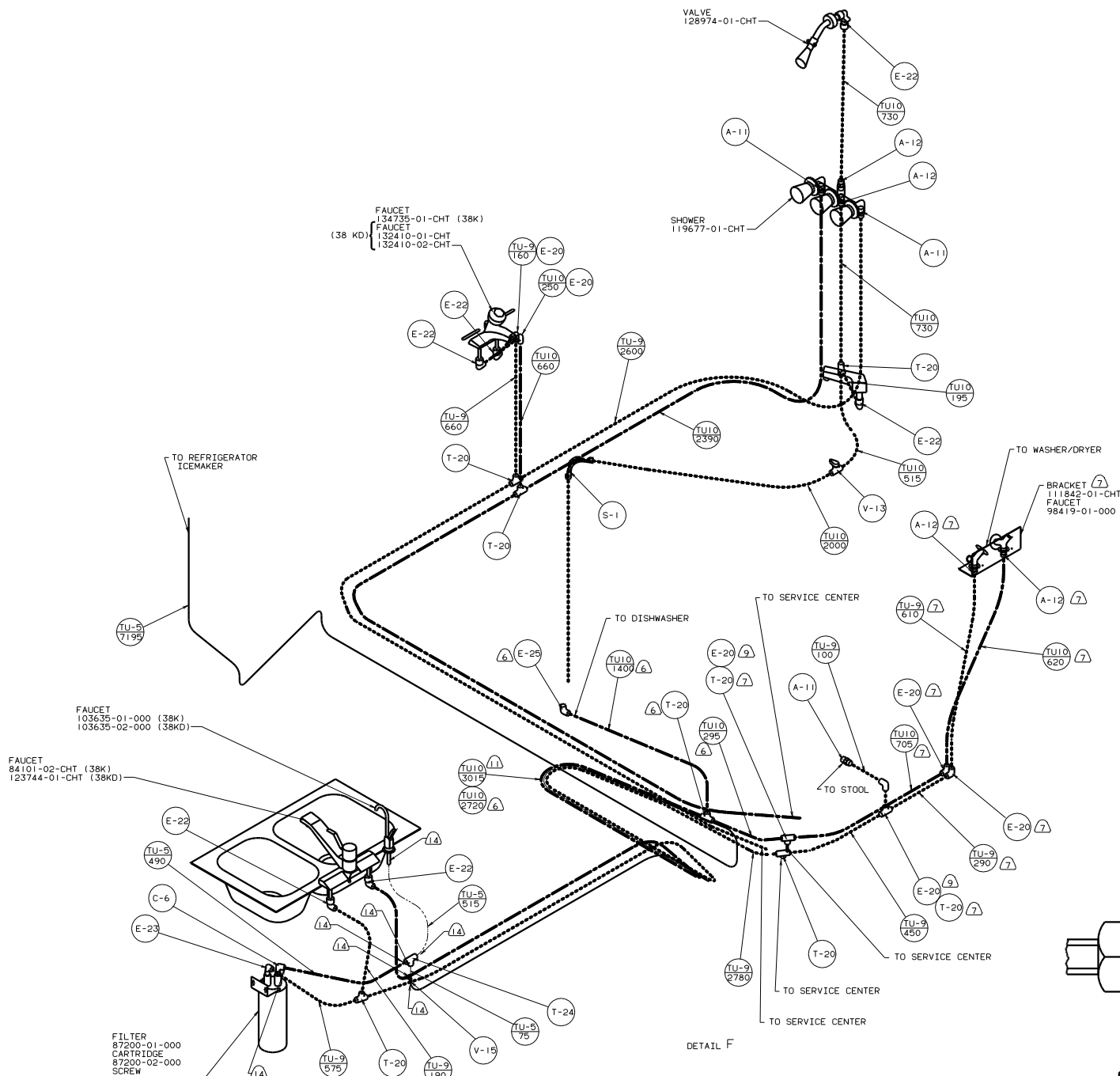
DETAIL C (B)  
530 WINTERIZING KIT



VIEW D-D



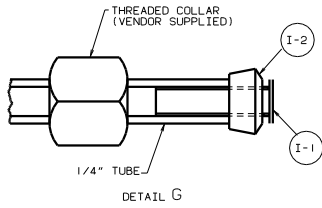
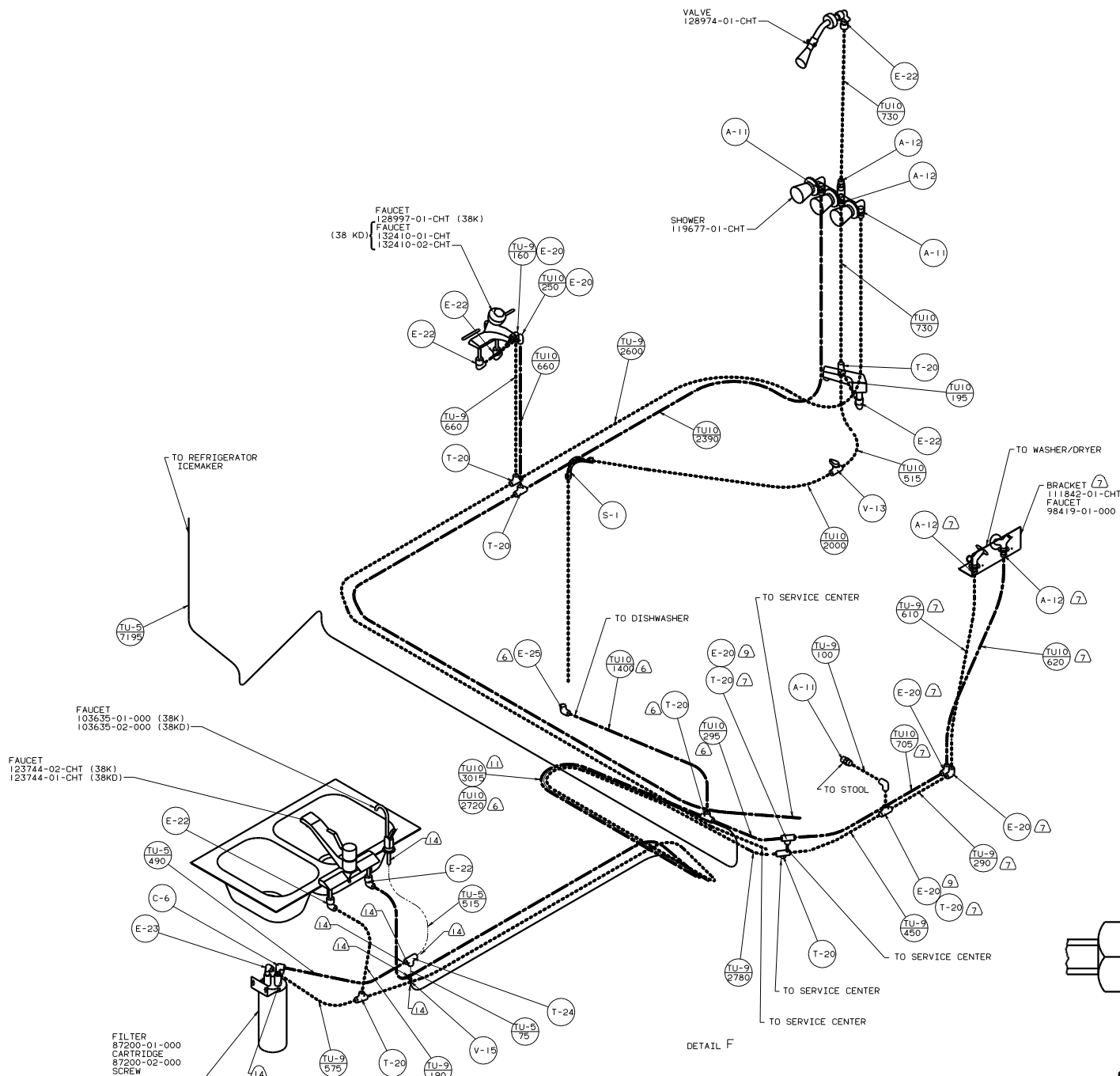
VIEW E-E



DETAIL F

99 Q38K/KD	
TITLE:	WATER SYSTEM INSTL
NO. OF SHEETS:	5 OF 6
DATE:	1/16/00
DRAWN BY:	129591





00 Q38K/KD	
TITLE:	WATER SYSTEM INSTL
NO. OF SHEETS:	5 OF 5
SHEET NO.:	5
REV. NO.:	1
DATE:	129591