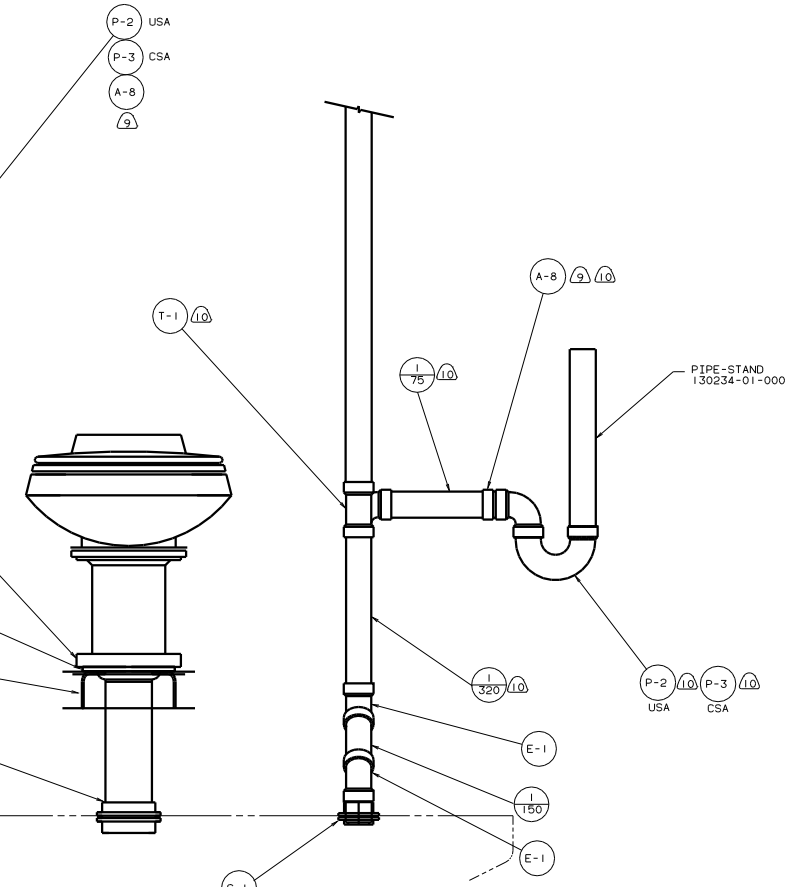
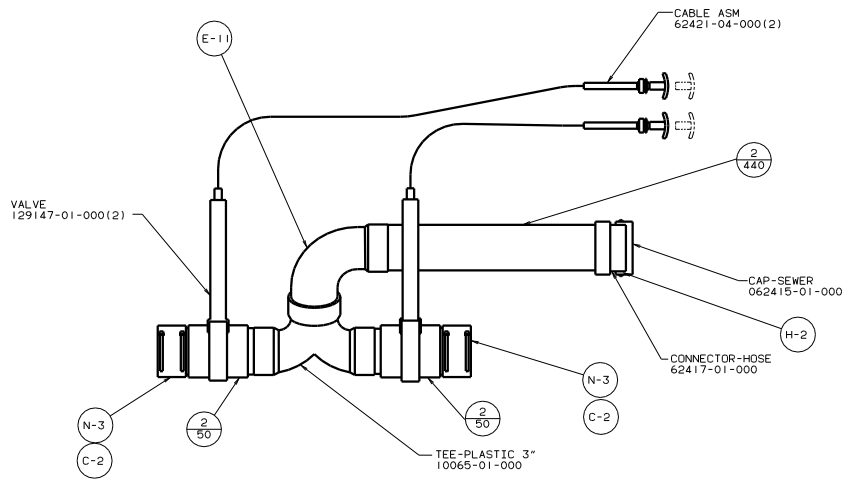


VIEW A-A

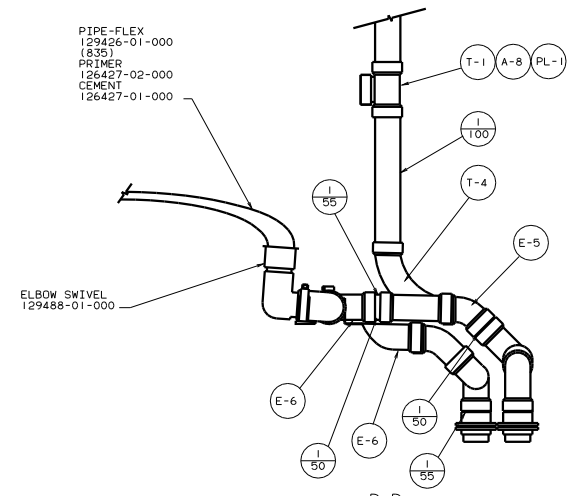


VIEW B-B

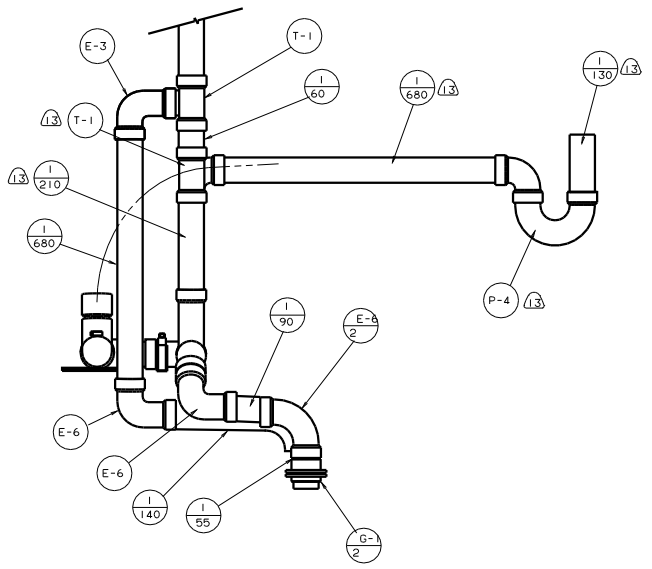
- 54U G57-14-72B (8)
- 54V G57-14-64B (8)



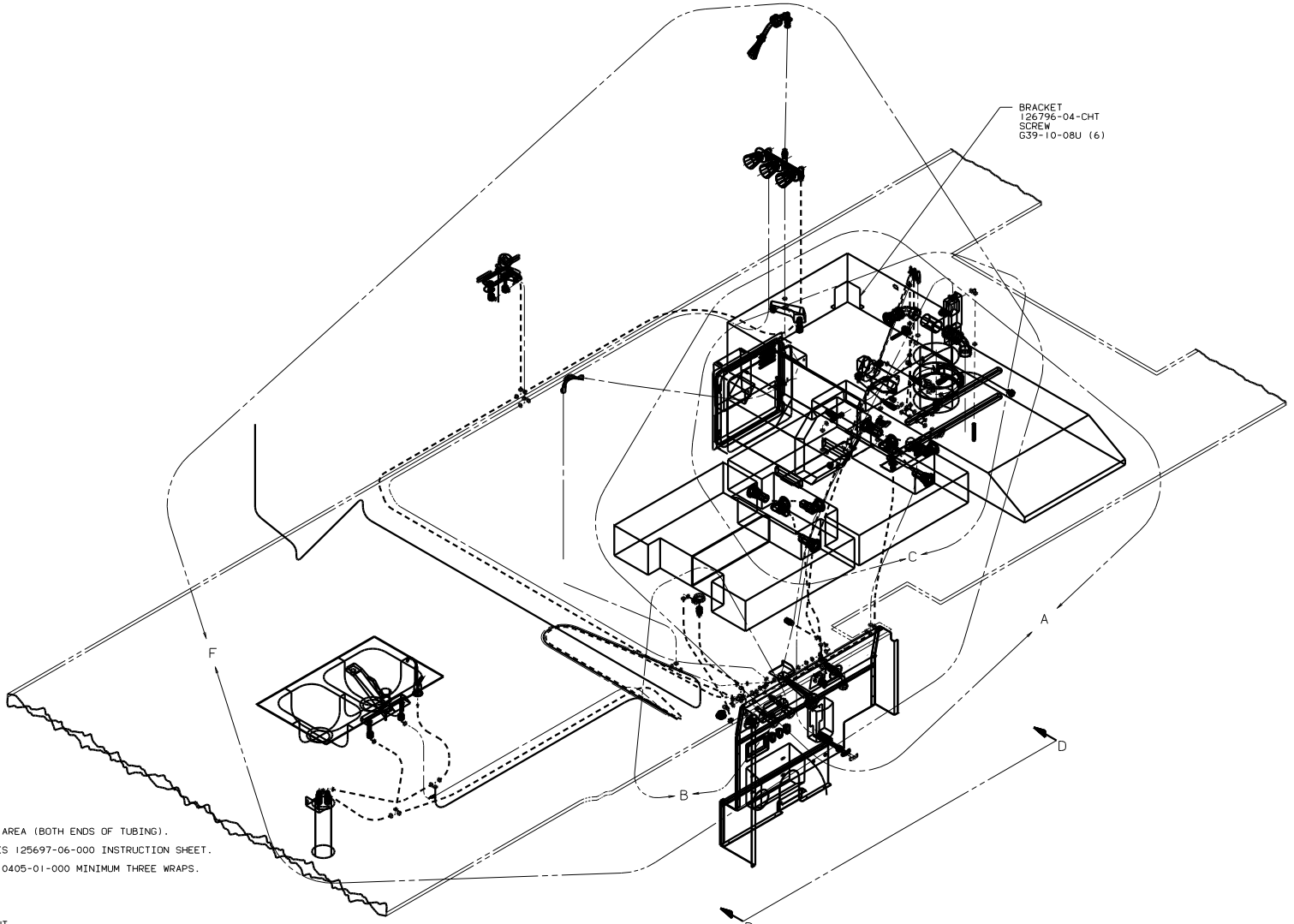
VIEW C-C



VIEW D-D



DWG NO	----	SHEETS
129591-01	99 038KD	1, 2, 3, 4, 5
129591-02	99 038K	1, 2, 3, 4, 5
129591-03	00 038KD	1, 2, 3, 4, 6
129591-04	00 038K	1, 2, 3, 4, 6



BRACKET
126796-04-CHT
SCREW
639-10-08U (6)

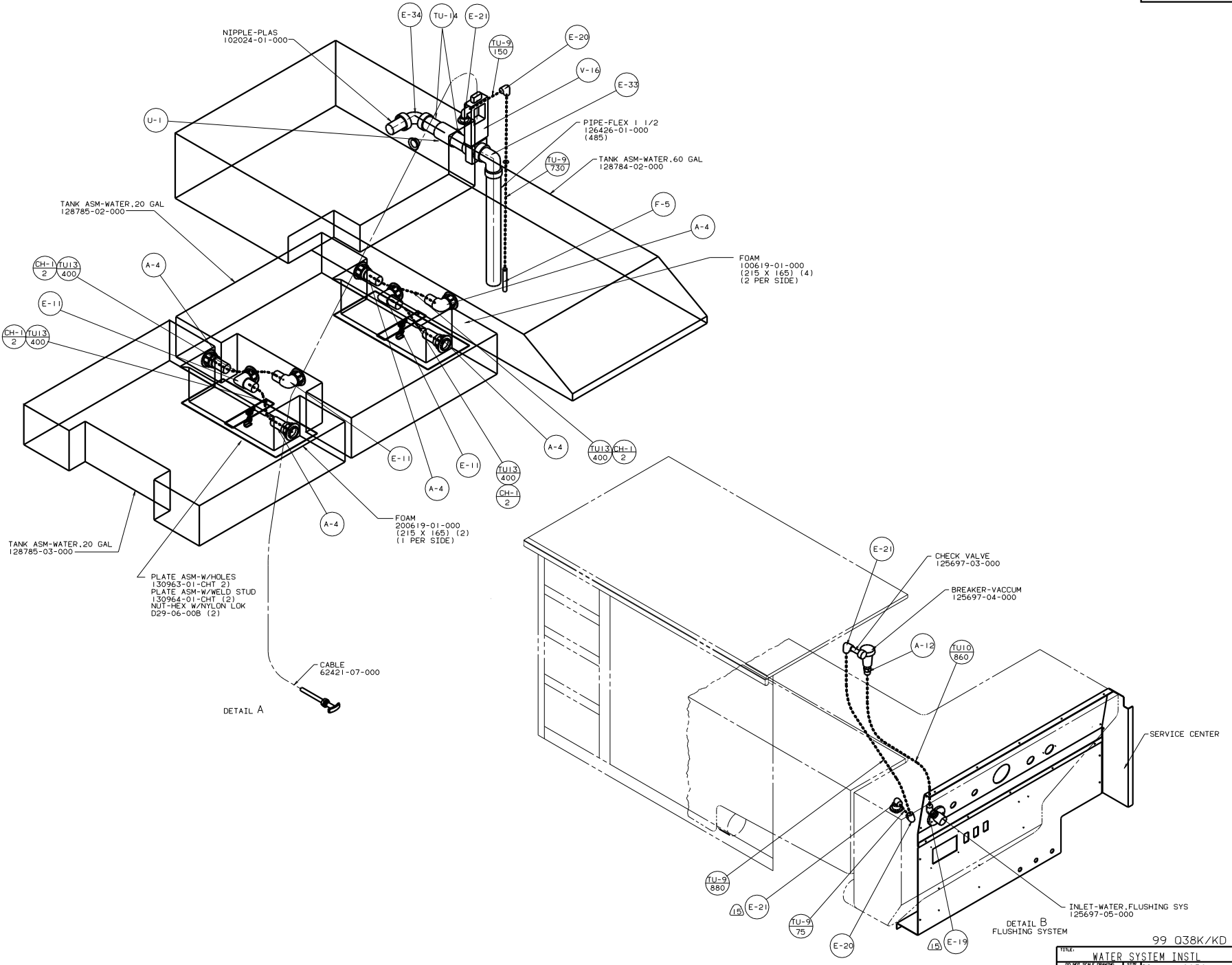
6. INSTALL ON LINE.
 5. INSTALL WITH TANK.
 4. USE DETAIL "G" IN THIS AREA (BOTH ENDS OF TUBING).
 3. FLUSHING SYSTEM REQUIRES 125697-06-000 INSTRUCTION SHEET.
 2. WRAP WITH TEFLON TAPE 10405-01-000 MINIMUM THREE WRAPS.
 1. 215 DISHWASHER WITHOUT.
 10. 530 WINTERIZING KIT.
 9. 21T WASHER/DRYER-WITHOUT.
 8. LOCATE BEHIND WASHER/DRYER.
 7. 54E WASHER/DRYER.
 6. 21N DISHWASHER/BUILT-IN.
 5. USE WITHOUT WINTERIZING KIT.
 4. 53J WINTERIZING KIT.
3. ALL TUBING TO BE SECURED AT 1200 INTERVALS MAXIMUM WITH CLAMP 10495-01-000 OR CLIP 91951-01-000 AND SCREW G67-10-12B.
 2. TUBING TO BE INSTALLED WITH SUFFICIENT SLOPE TO PROVIDE DRAINAGE TO NEAREST VALVE.
 1. PLASTIC FITTINGS TO BE SEALED WITH SEALANT 84456-01-000.

NOTES:

LEGEND	
HOT	-----
COLD	-----

FOR WATER CALL-OUTS SEE DWG NO. 116230-01-000

WINNEBAGO 99 038K/KD			
OF TR	DATE	UNDESIGNED TOLERANCES ARE:	MATERIAL
CHP	DATE	WHOLE DIM (IN)	F
DFE	DATE	ONE-PLACE (IN.XI)	.
DVE	DATE	TWO-PLACE (IN.XX)	.
CDP	DATE	ANGLE	
	DATE	THIRD ANGLE PERSPECTIVE	
LANE#	038KD	TITLE	WATER SYSTEM INSTL
REV #	SCALE	NOTE	DO NOT SCALE DRAWING
ALL DIMENSIONS ARE IN MILLIMETERS	SHEET 1 OF 6	FIG NO	129591

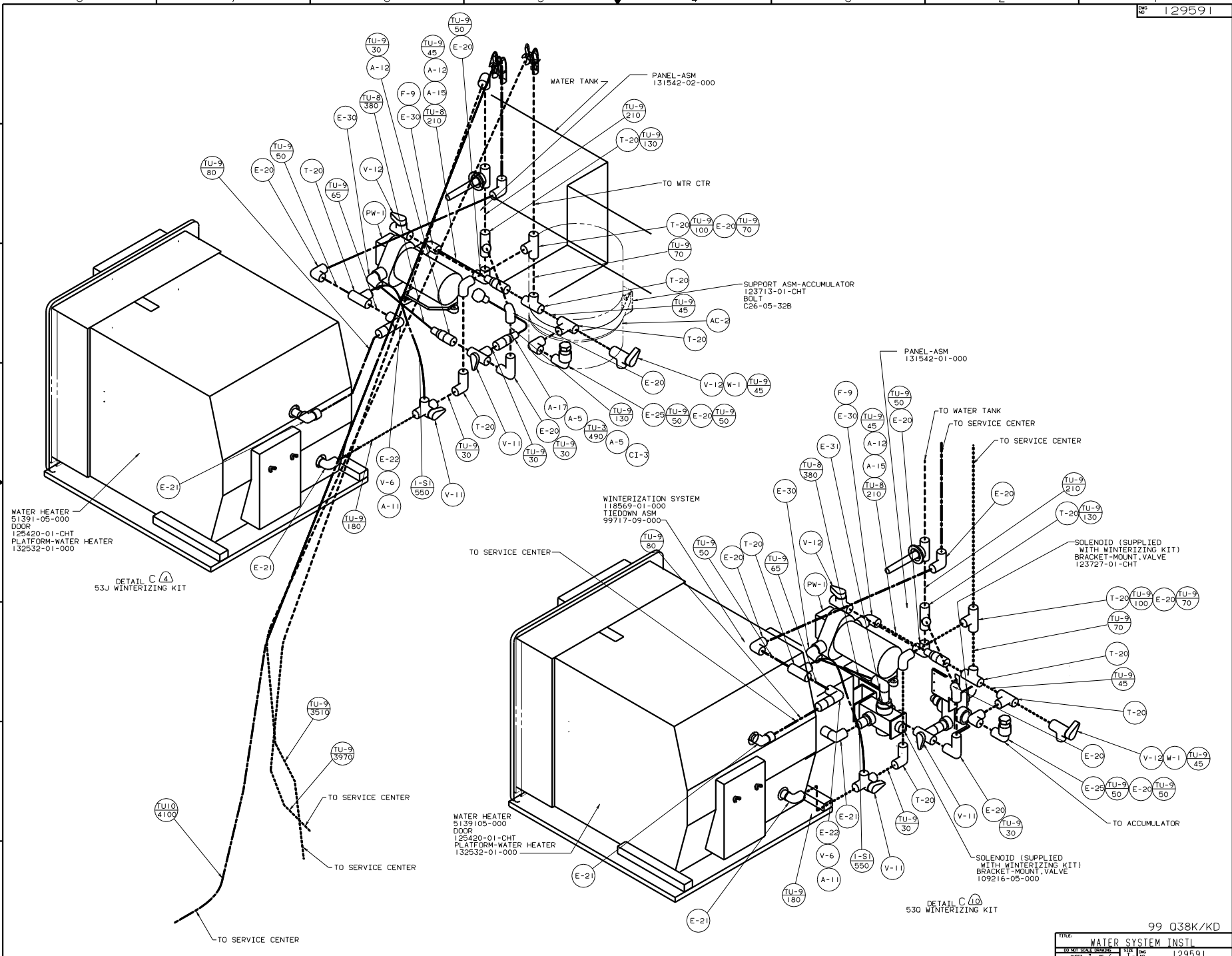


DETAIL A

DETAIL B
FLUSHING SYSTEM

99 Q38K/KD

TITLE		WATER SYSTEM INSTL	
NO	REV	DATE	BY
1	1		
SHEET 2 OF 6		129591	



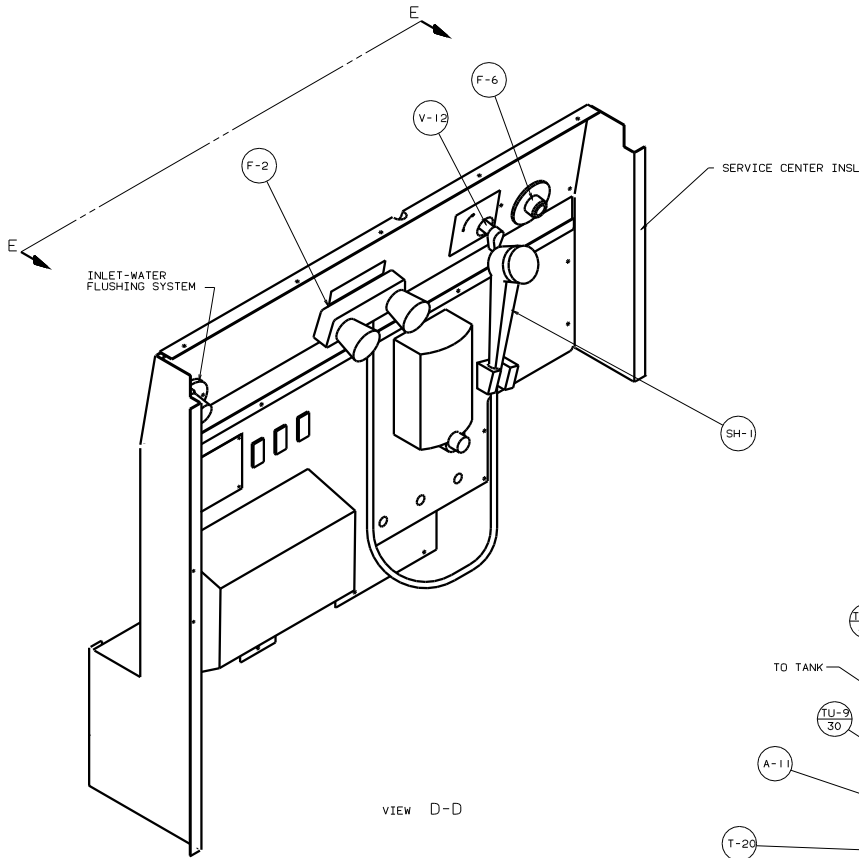
WATER HEATER
51391-05-000
DOOR
125420-01-CHT
PLATFORM-WATER HEATER
132532-01-000

DETAIL C (A)
53J WINTERIZING KIT

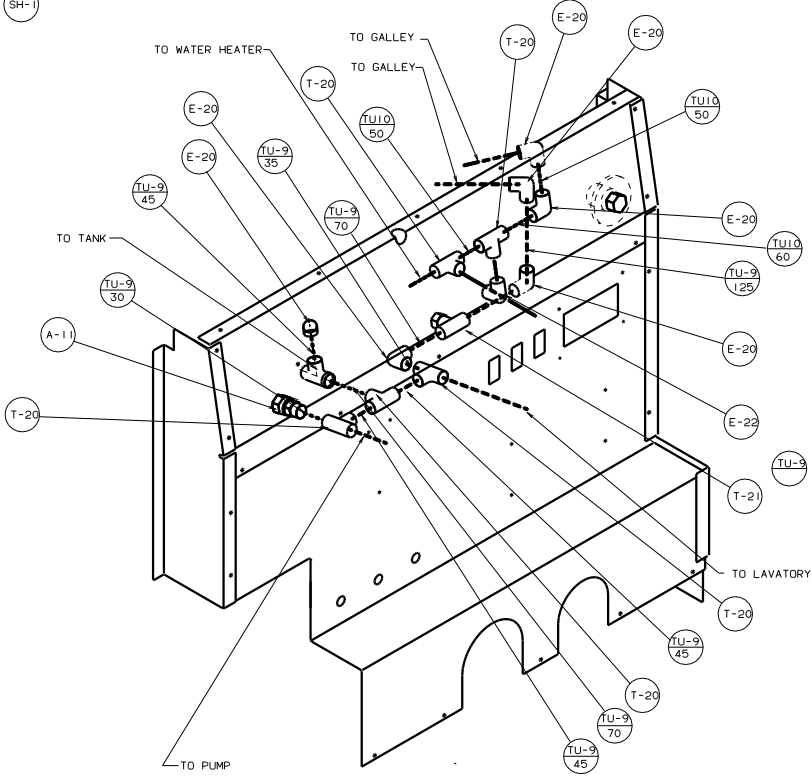
WINTERIZATION SYSTEM
118569-01-000
TIEDOWN ASM
99717-09-000

WATER HEATER
5139105-000
DOOR
125420-01-CHT
PLATFORM-WATER HEATER
132532-01-000

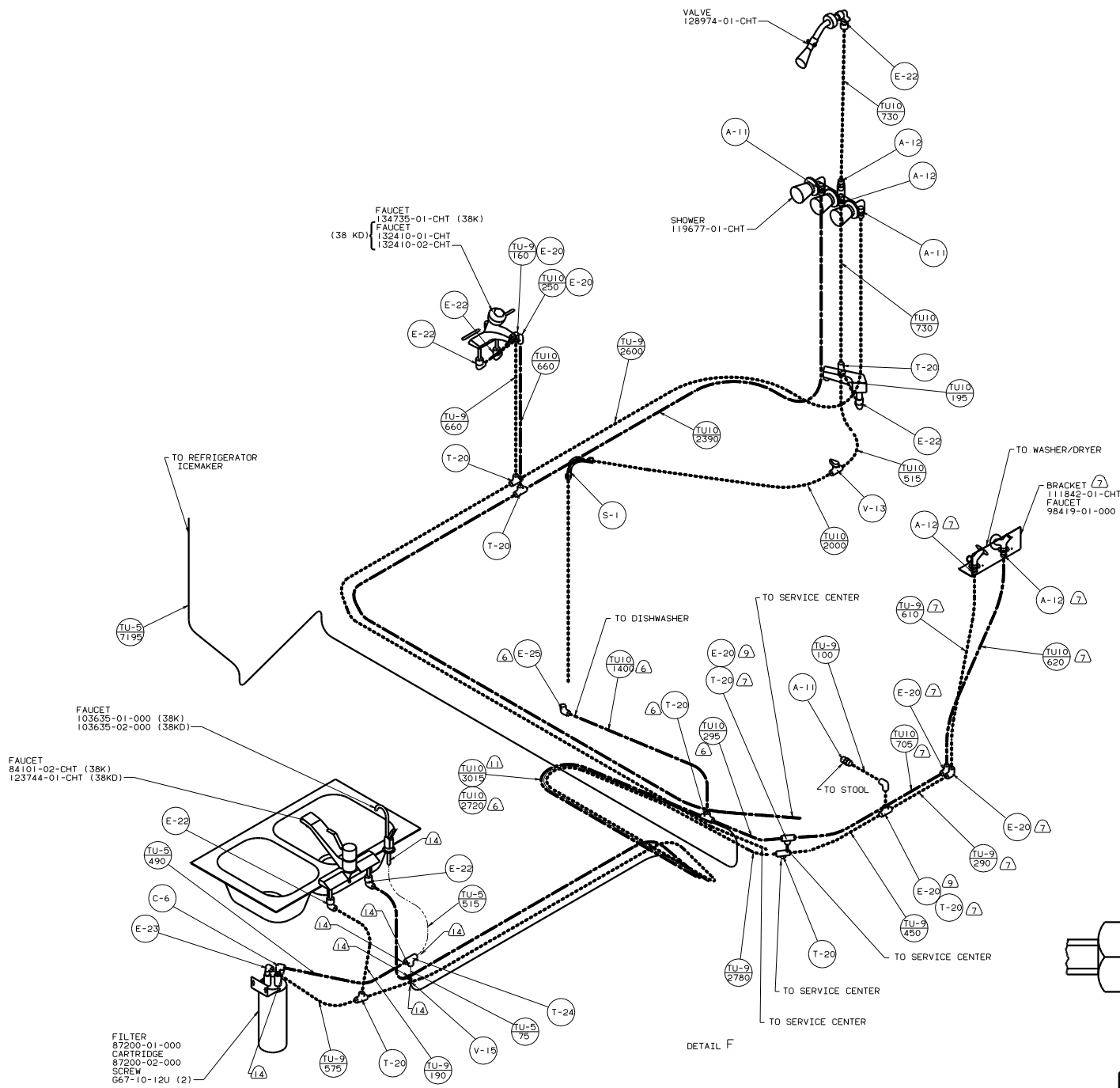
DETAIL C (B)
53O WINTERIZING KIT



VIEW D-D



VIEW E-E



FAUCET
134735-01-CHT (38K)
FAUCET
132410-01-CHT (38 KD)
132410-02-CHT

VALVE
128974-01-CHT

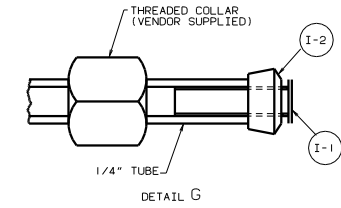
SHOWER
119677-01-CHT

FAUCET
103635-01-000 (38K)
103635-02-000 (38KD)

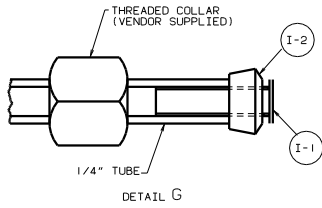
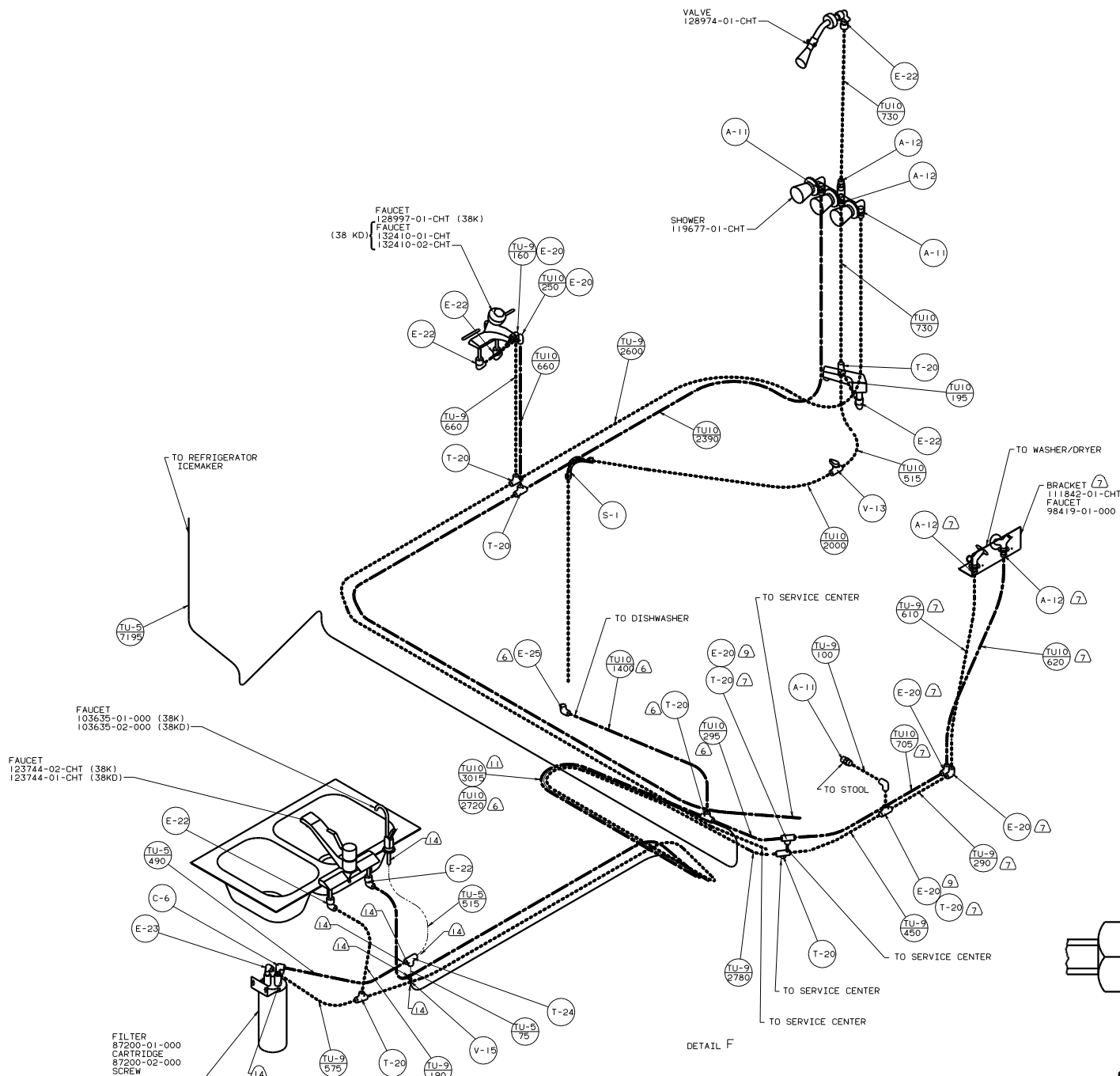
FAUCET
84101-02-CHT (38K)
123744-01-CHT (38KD)

FILTER
87200-01-000
CARTRIDGE
87200-02-000
SCREW
G67-10-12U (2)

BRACKET
111842-01-CHT
FAUCET
98419-01-000 (2)



99 Q38K/KD	
TITLE:	WATER SYSTEM INSTL
NO. OF SHEETS:	5 OF 6
SHEET NO.:	5
REV. NO.:	1
DATE:	129591



00 Q38K/KD	
TITLE:	WATER SYSTEM INSTL
NO. OF SHEETS:	6
SHEET NO.:	6 OF 6
DATE:	1/1/00
DRAWN BY:	129591