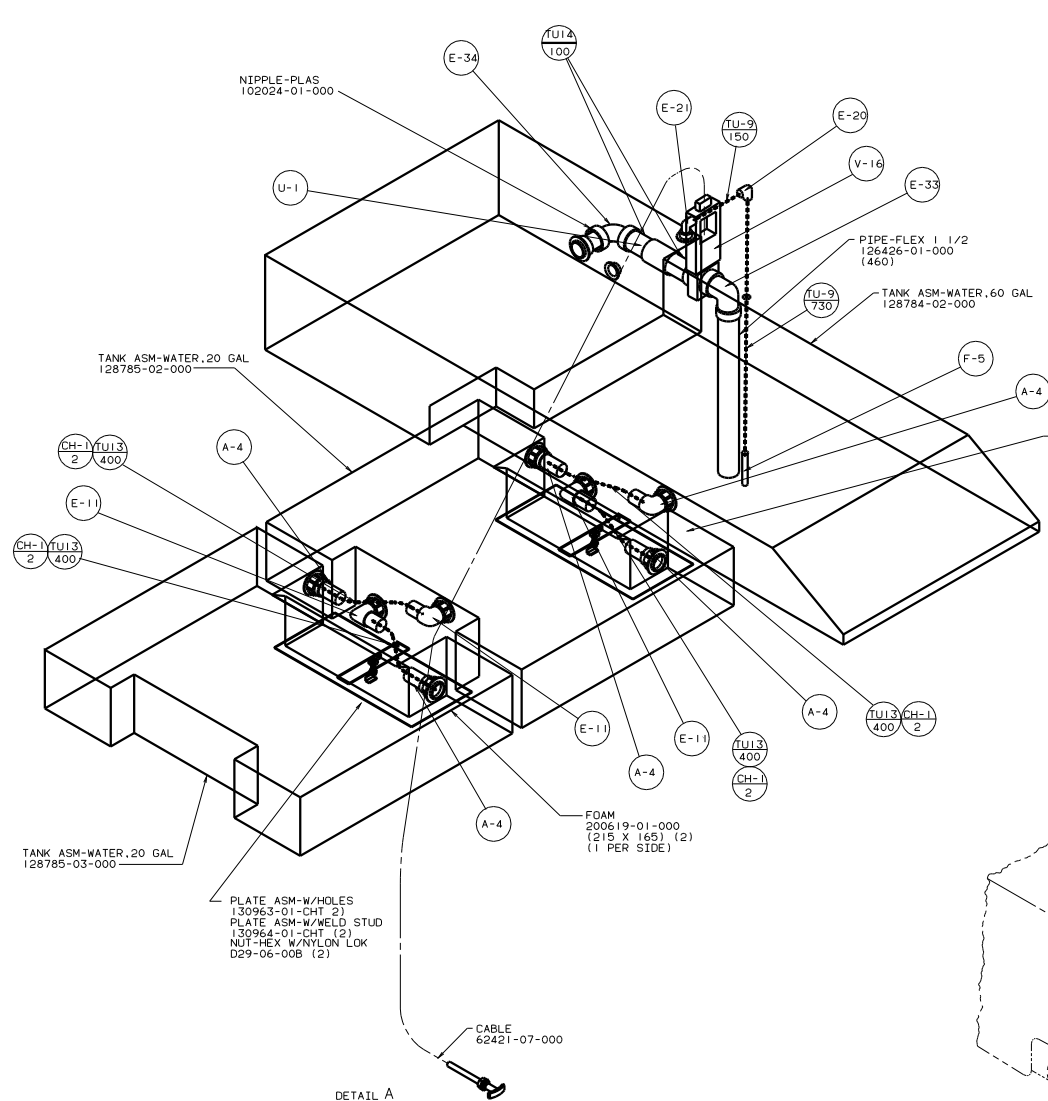
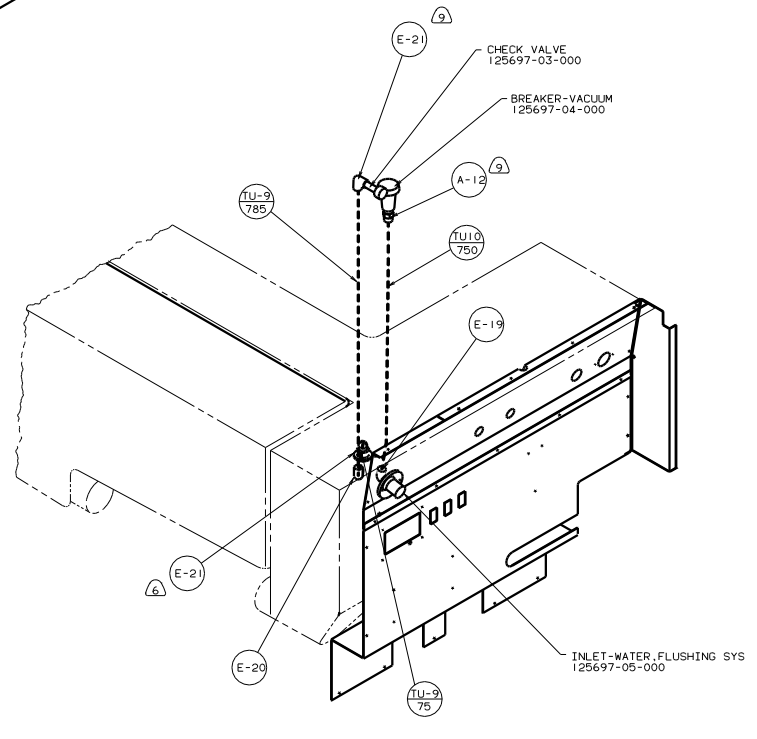


DETAIL D





DETAIL A



DETAIL B 5  
FLUSHING SYSTEM

99 Q36C	
TITLE WATER SYSTEM INSTL	
NO. OF SHEETS 5	SHEET 2 OF 5
REV 1	DATE 11/1/87





