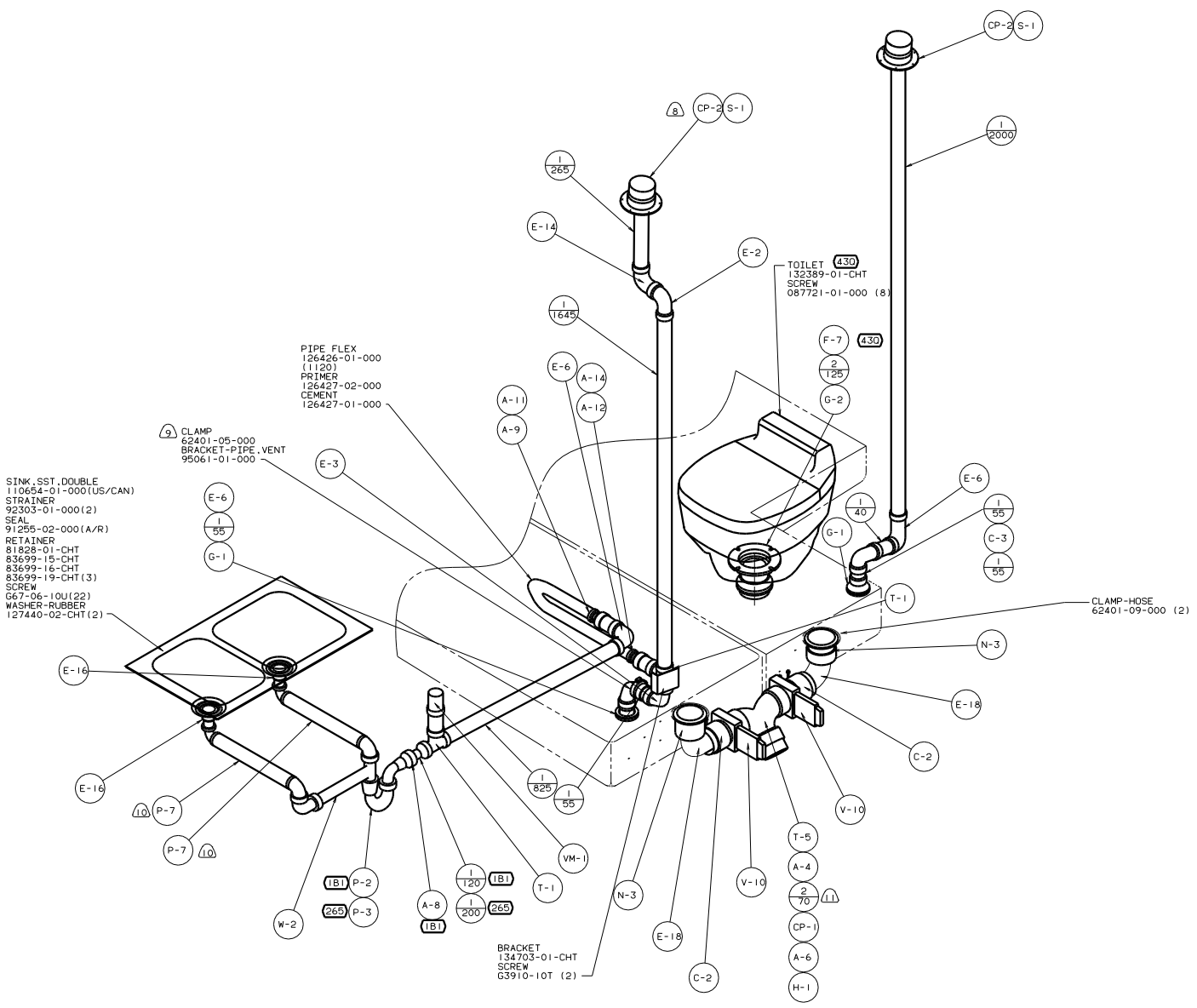


- 1. VALVE TRMINATION TEE TO BE POSITIONED AT 45° DOWN AND OUTBOARD.
- 2. TRIM TO FIT.
- 3. SECURE VENT TUBES TO FLOOR WITH BRACKET.
- 4. VENT PIPE MUST PROJECT 51 MIN AND 63.5 MAX ABOVE ROOF FOR PROPER FIT AND FUNCTION.
- 5. SEE DWG 61607-01-000 FOR INSTL OF GROMMETS.
- 6. SEAL ALL AROUND SHOWER WITH SILICONE.
- 7. FOR CANADIAN UNITS EACH HOLDING TANK SHALL HAVE A CSA APPROVAL STAMPED NEAR THE TAMPO APPROVAL.
- 8. ALL EXTERIOR OPENINGS AROUND PIPE TO BE SEALED WITH 110744-01-000.
- 9. ALL PIPE AND FITTINGS TO BE ASSEMBLED WITH SOLVENT 4020-01-000.
- 10. SLOPE OF TRAP ARM MUST BE 6 PER 305.
- 11. SLOPE OF HORIZONTAL PIPING TO BE 6 PER 305 MIN.

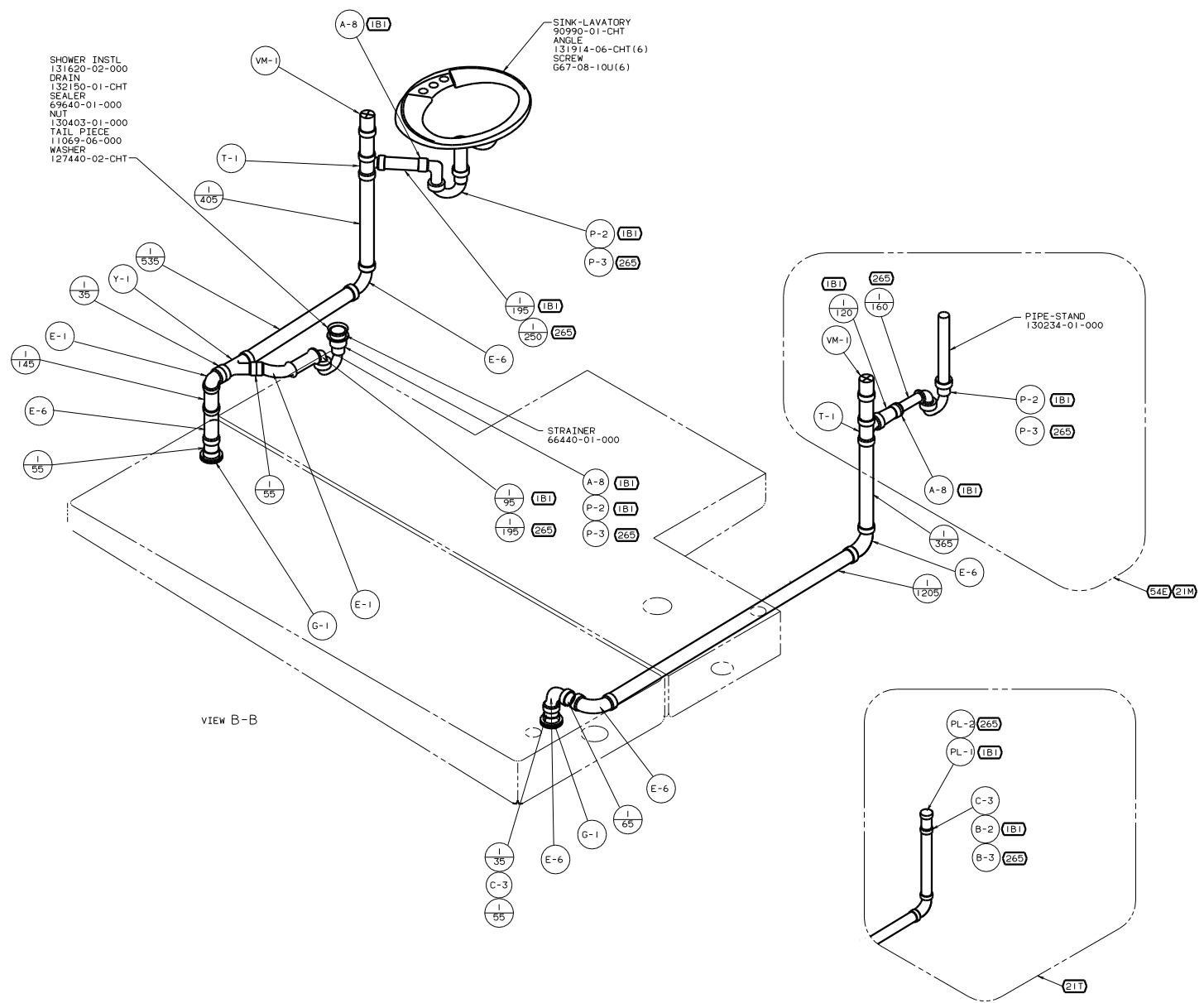
- (21M) WASHER/DRYER PREP
- (54E) WASHER/DRYER
- (430) TOILET-PORCELAIN
- (265) CODES/STANDARDS-CSA/CMVSS
- (21T) WASHER/DRYER-WITHOUT
- (1B1) CODES/STANDARDS USA

FOR DRAINAGE CALLOUTS SEE DWG NO. 116229-01-000

WINNEBAGO		00 P36LD
OF IN	DATE	UNSPECIFIED TOLERANCES ARE:
CHP	DATE	WELD DIM (1:1) . . .
PIE	DATE	ONE-PLACE (1:1) . . .
PLC	DATE	TWO-PLACE (1:1) . . .
COLR	DATE	THIRD-PLACE (1:1) . . .
LAYOUT PGEN		TITLE: DRAINAGE SYSTEM INSTL
REV #	SCALE	NOTE
ALL DIMENSIONS ARE IN MILLIMETERS	SHEET 1 OF 4	FIG NO 133490

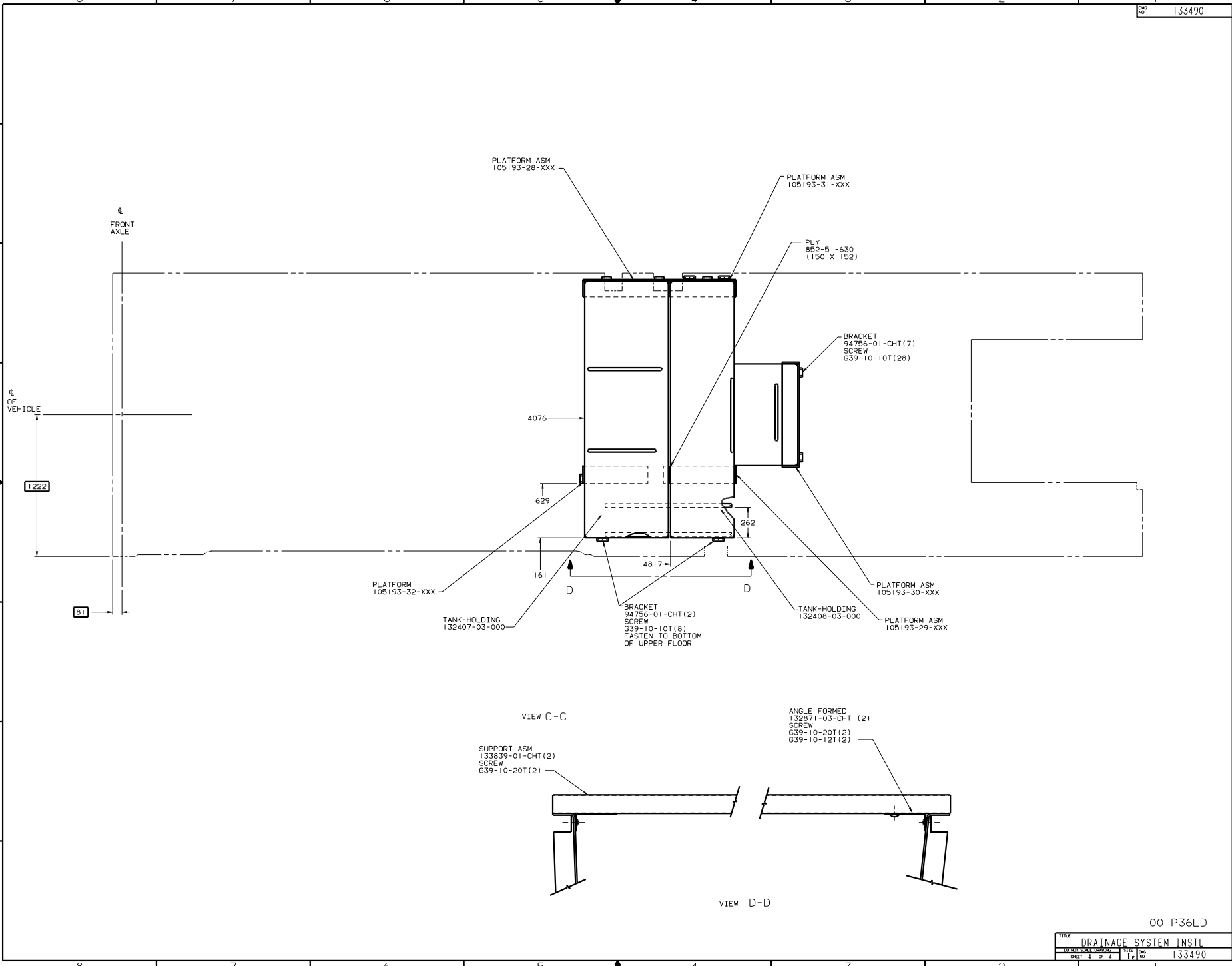


VIEW A-A



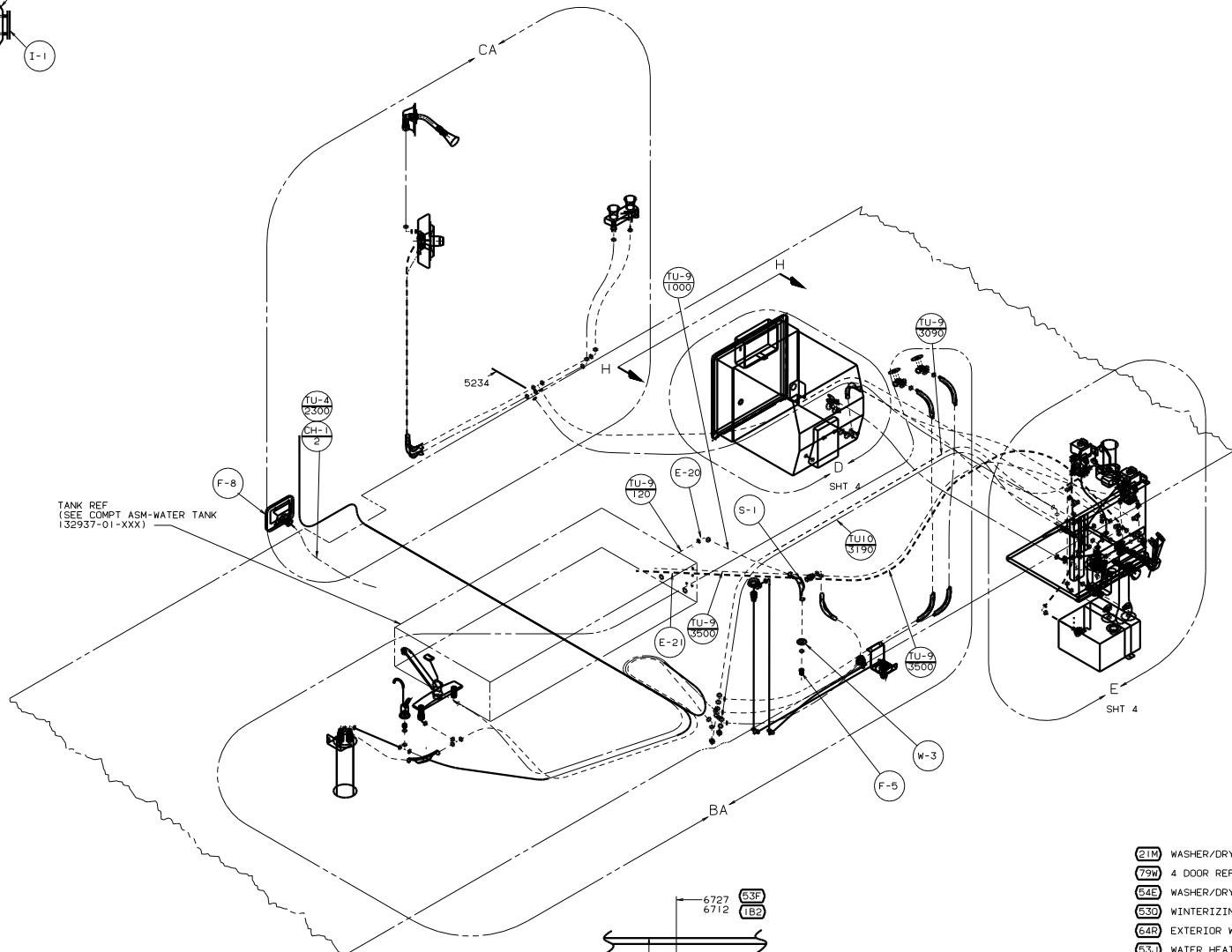
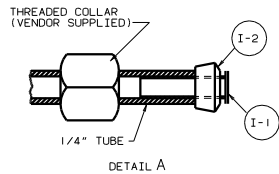
00 P36LD

TITLE: DRAINAGE SYSTEM INSTL	
NO. OF SHEETS: 4	SHEET NO. 3
DATE: 1/16	REV. NO. 1
133490	

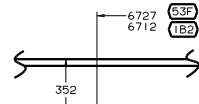


00 P36LD

TITLE: DRAINAGE SYSTEM INSTL		DWG NO: 133490	
NO. OF SHEETS	REV	DATE	BY
4 of 4	1		



TANK REF
 (SEE COMPT ASH-WATER TANK
 132937-01-XXX)



VIEW H-H

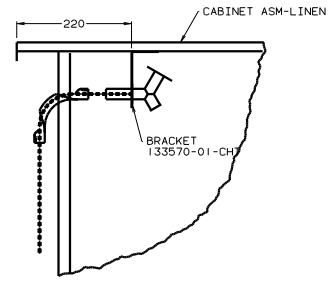
- ⚠️ FLUSHING SYSTEM REQUIRES 125697-06-000 INSTRUCTION SHEET.
- ⚠️ CLAMPS MUST BE ON BARBS.
- ⚠️ USE DETAIL "A" IN THIS AREA.
- 3. ALL TUBING TO BE SECURED AT 1200 INTERVALS MAXIMUM WITH CLAMP 10495-01-000 OR CLIP 9151-01-000 AND SCREW G67-10-128.
- 2. TUBING TO BE INSTALLED WITH SUFFICIENT SLOPE TO PROVIDE DRAINAGE TO NEAREST VALVE.
- 1. PLASTIC FITTINGS TO BE SEALED WITH SEALANT 84456-01-000.

- (21W) WASHER/DRYER PREP
- (79W) 4 DOOR REFRIGERATOR W/ICEMAKER
- (64E) WASHER/DRYER
- (630) WINTERIZING KIT
- (64R) EXTERIOR WASH STATION
- (63V) WATER HEATER BY-PASS-VALVE
- (63F) WATER HEATER-ELEC. IGNITION
- (182) WTR HTR-10GAL/ELEC/LP/MTR/RAID
- (29B) WATER PURIFIER
- (18U) REFRIGERATOR/FRZR W/ICEMAKER

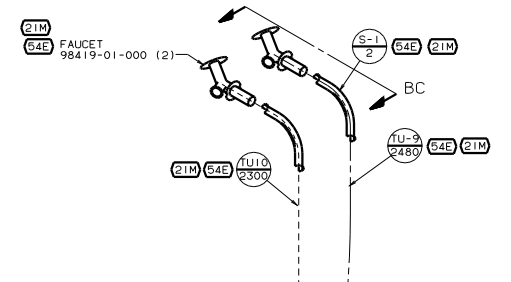
LEGEND	
HOT	—••••••••—
COLD	—————

FOR WATER CALLOUTS SEE DWG NO. 116230-01-000

WINNEBAGO 00 P36LD							
DATE	UNDESIGNED TOLERANCES ARE:						
DATE	WHOLE DIM (IN) .1						
DATE	ONE-PLACE (IN) .01						
DATE	TWO-PLACE (IN) .001						
DATE	ANGLE						
DATE	ROUND W/ANGLE						
DATE	PROJECTION						
LAYOUT P36LD TITLE WATER SYSTEM INSTL							
REV #	SCALE	NOTE	NO. REV	SCALE	REVISION	DATE	BY
SHEET 1 OF 6		133738					



VIEW BC-BC



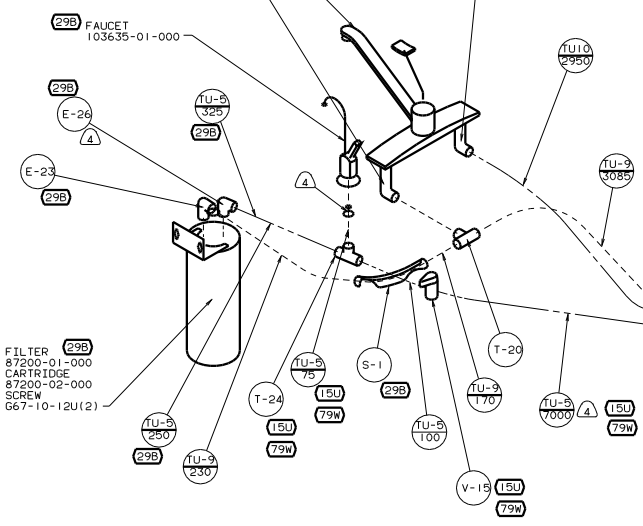
TO WATER CENTER

CHECK VALVE 125697-03-000

6 BREAKER-VACCUUM 125697-04-000 (MUST BE MOUNTED ABOVE TOILET FLOOD LEVEL)

TO REFRIGERATOR

FAUCET-GALLEY, SGL CONTROL 123744-02-CHT

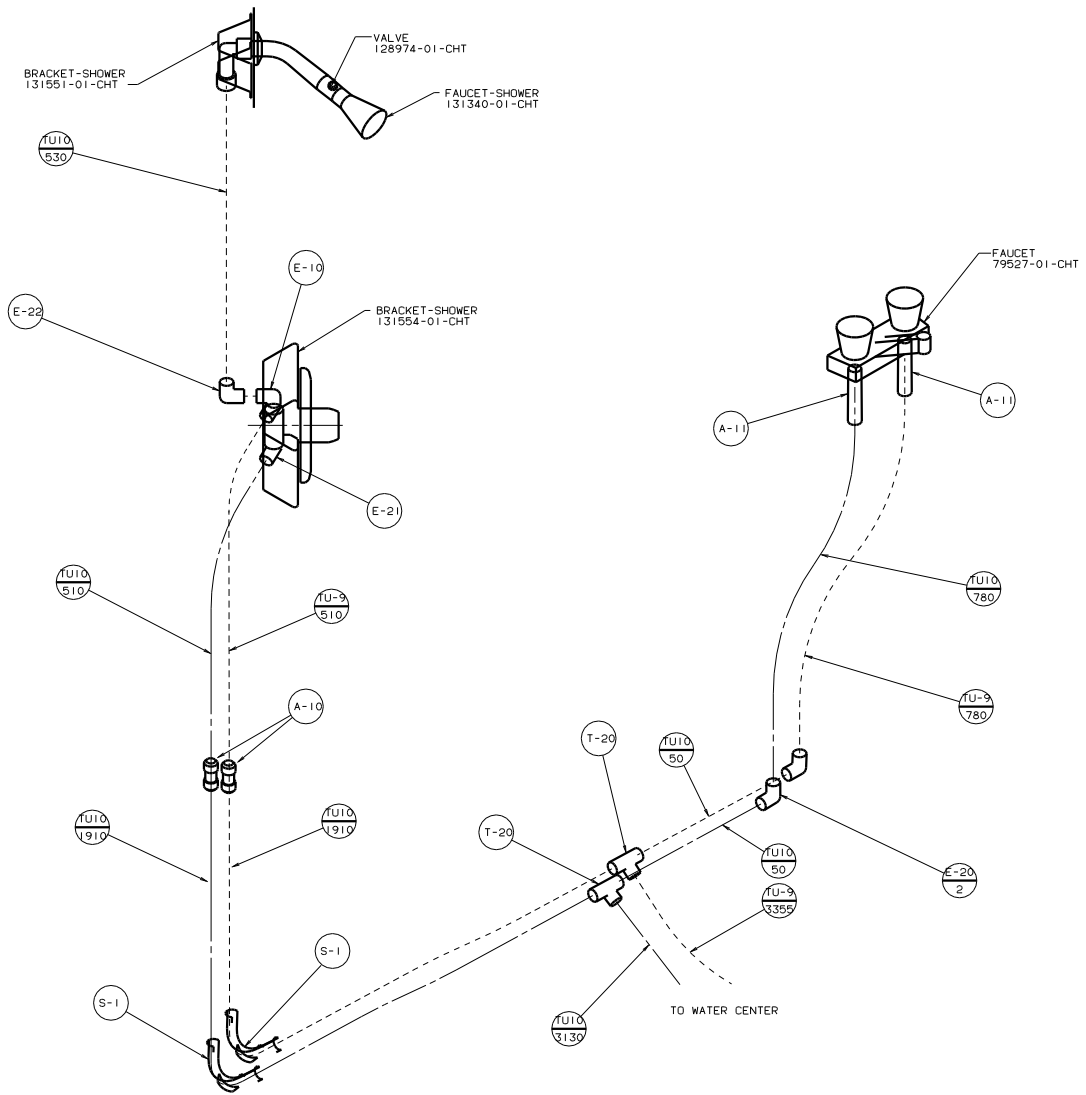


DETAIL BA

DETAIL BB

00 P36LD

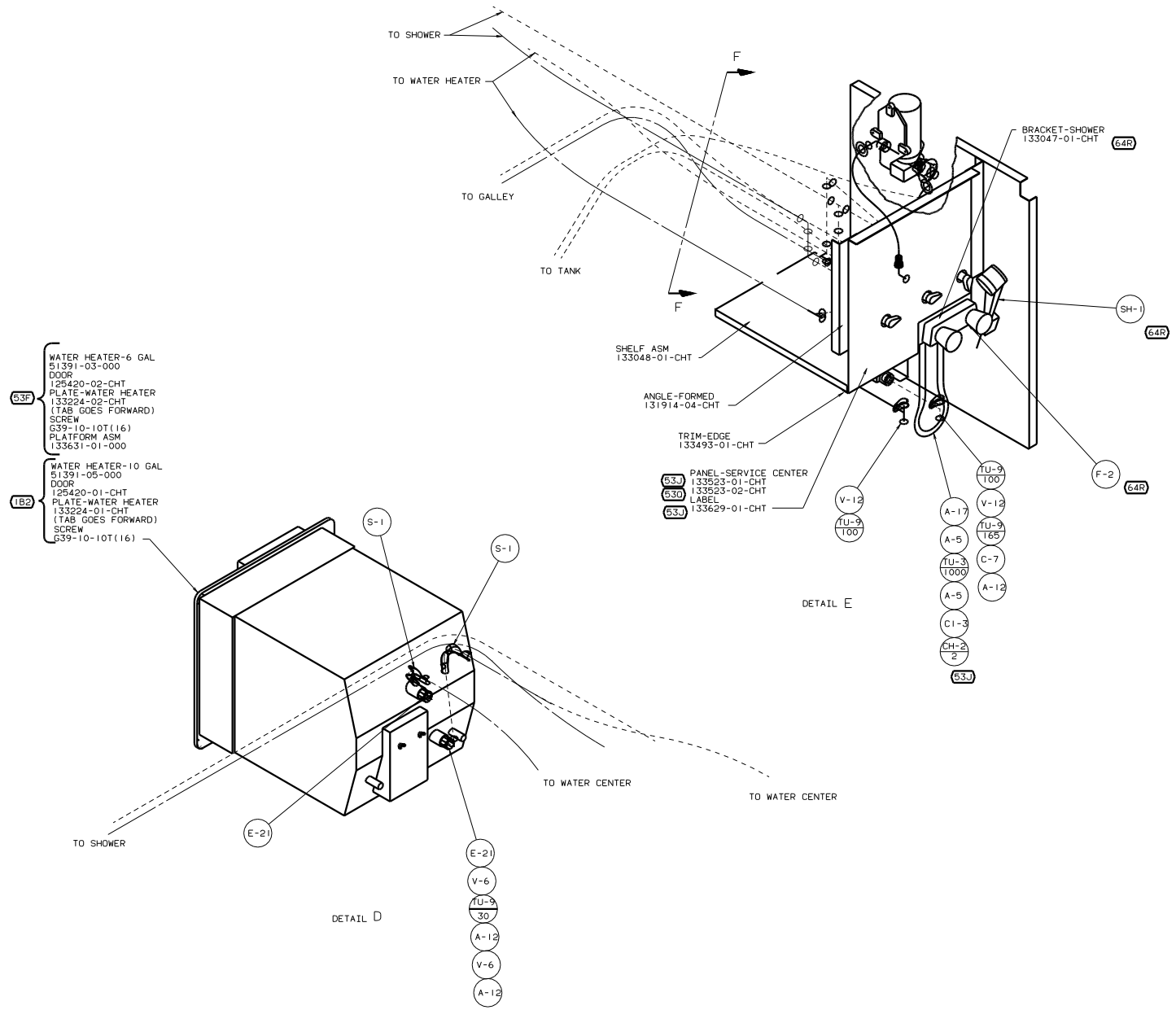
TITLE			
WATER SYSTEM INSTL			
NO. OF SHEETS	DATE	DWG. NO.	REV. NO.
2 OF 6		133738	



DETAIL CA

00 P36LD

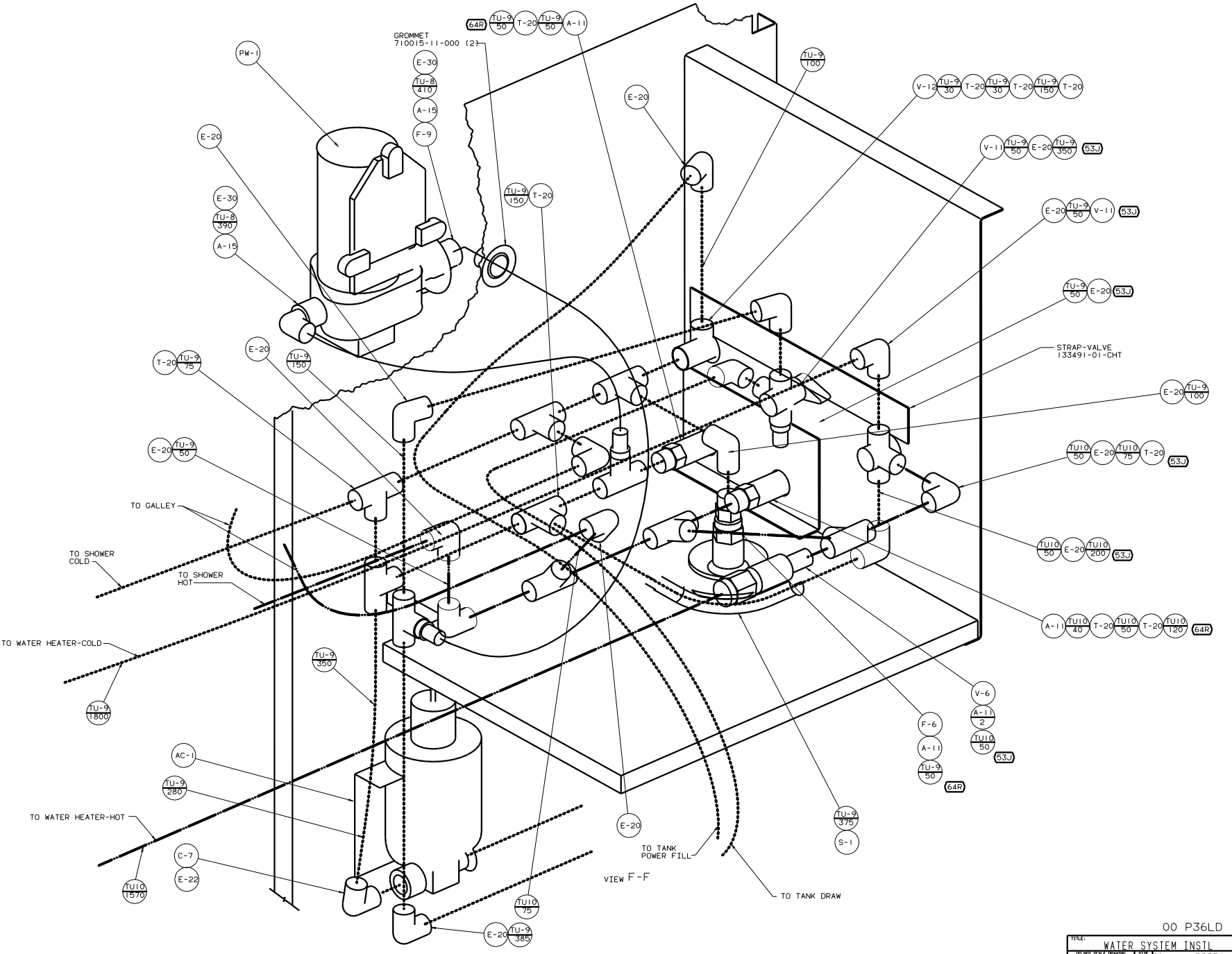
TITLE: WATER SYSTEM INSTL	
DATE: 3/06	REV: 1
SHEET 3 OF 6	DWG NO 133738

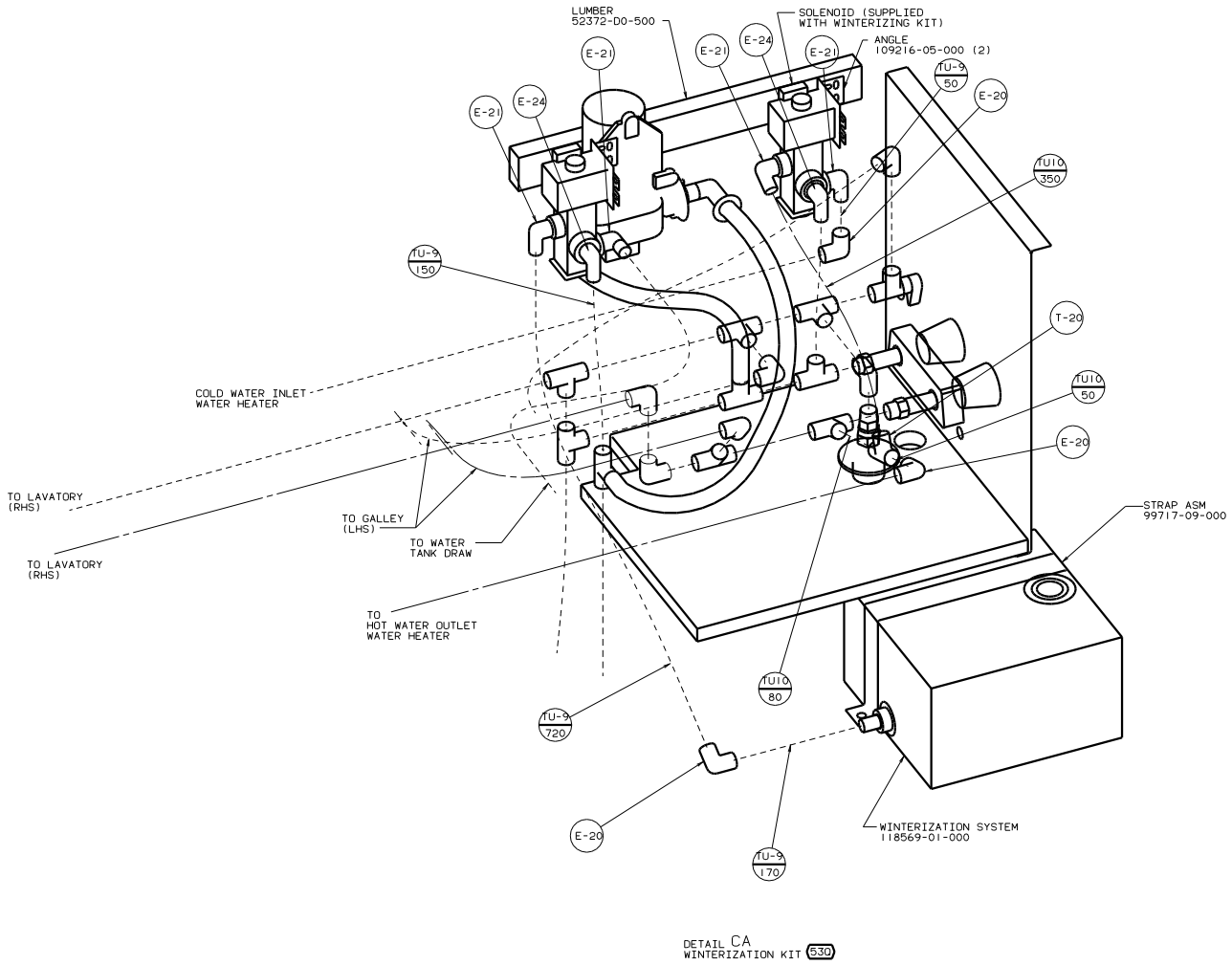


GROMMET
710015-11-000 (2)

STRAP-VALVE
133491-01-CHT

VIEW F-F





DETAIL CA WINTERIZATION KIT 630