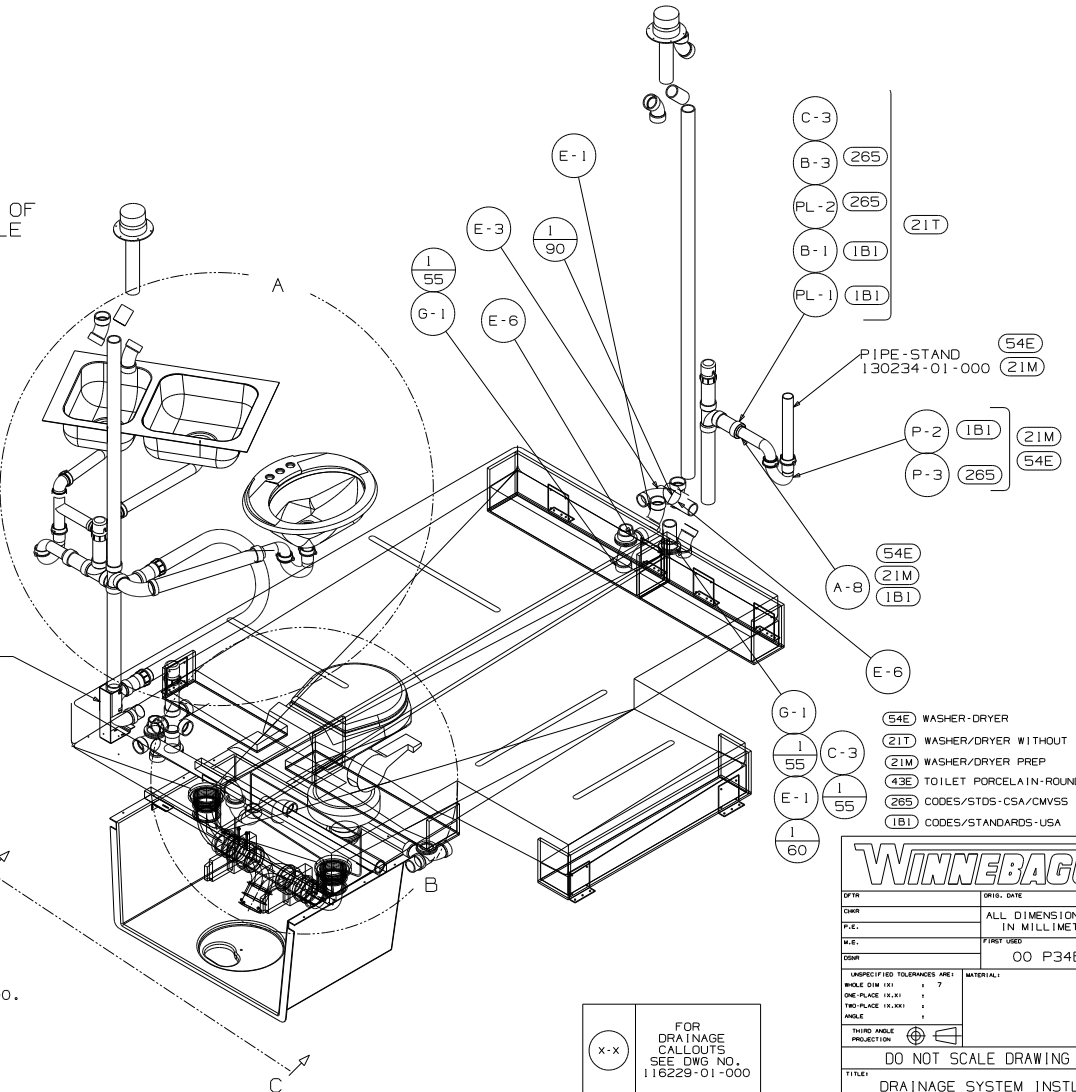


FRONT OF VEHICLE



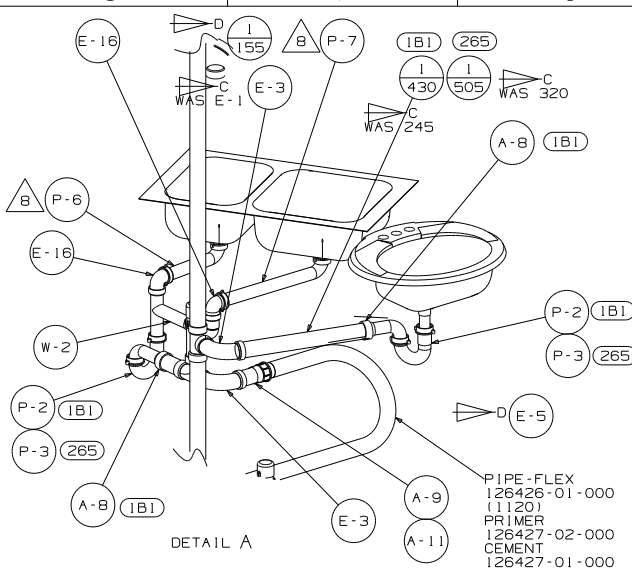
BRACKET
134703-01-CHT
SCREW
G39-10-10T (2)

- (54E) WASHER-DRYER
- (21T) WASHER/DRYER WITHOUT
- (21M) WASHER/DRYER PREP
- (43E) TOILET PORCELAIN-ROUND
- (265) CODES/STDS-CSA/CMVSS
- (1B1) CODES/STANDARDS-USA

- (10) FASTEN TO BOTTOM OF UPPER FLOOR
- (9) VENT PIPE MUST PROJECT 51 MIN AND 64 MAX ABOVE ROOF FOR PROPER FIT AND FUNCTION.
- (8) TRIM TO FIT.
- 7. VALVE TERMINATION TEE TO BE POSITIONED AT 45° DOWN AND OUTBOARD.
- 6. FOR CANADIAN UNITS EACH HOLDING TANK SHALL HAVE A CSA APPROVAL STAMPED NEAR THE IAMPO APPROVAL.
- 5. SEAL AROUND SHOWER WITH SILICONE.
- 4. ALL EXTERIOR OPENINGS AROUND PIPE TO BE SEALED WITH 110744-01-000.
- 3. ALL PIPE AND FITTINGS TO BE ASSEMBLED WITH SOLVENT 4020-01-000.
- 2. SLOPE OF TRAP ARM MUST BE 6 PER 305 mm.
- 1. SLOPE OF HORIZONTAL PIPING TO BE 6 PER 305 mm.

(X-X)
FOR
DRAINAGE
CALLOUTS
SEE DWG NO.
116229-01-000

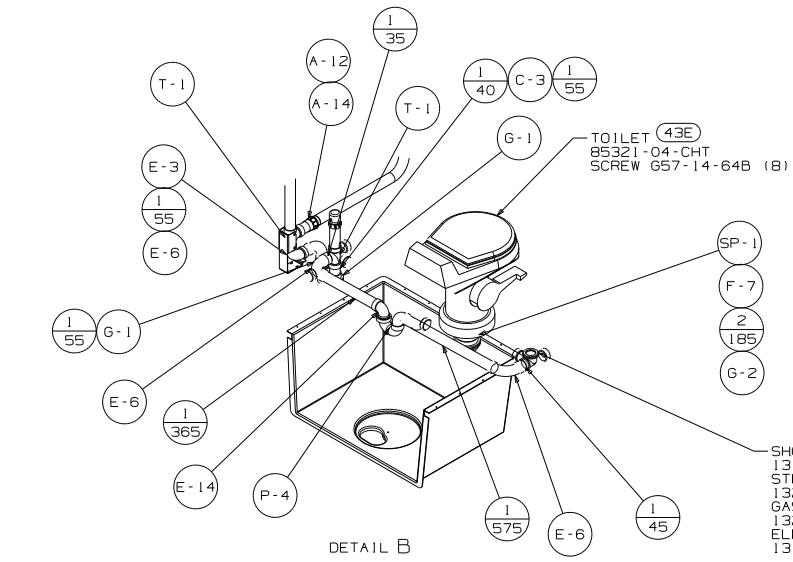
WINNEBAGO	
QTY	ORIG. DATE
CHR	ALL DIMENSIONS ARE IN MILLIMETERS
P.E.	FIRST USED
M.F.	00 P34B
CDR	
UNSPECIFIED TOLERANCES ARE:	
SIZE DIM (X)	MATERIAL
ONE-PLACE (X,XX)	
TWO-PLACE (X,XX)	
ANGLE	
THIRD ANGLE PRODUCTION	
DO NOT SCALE DRAWING	
TITLE: DRAINAGE SYSTEM INSTL	
SHEET 1 of 3	PART NO 134159



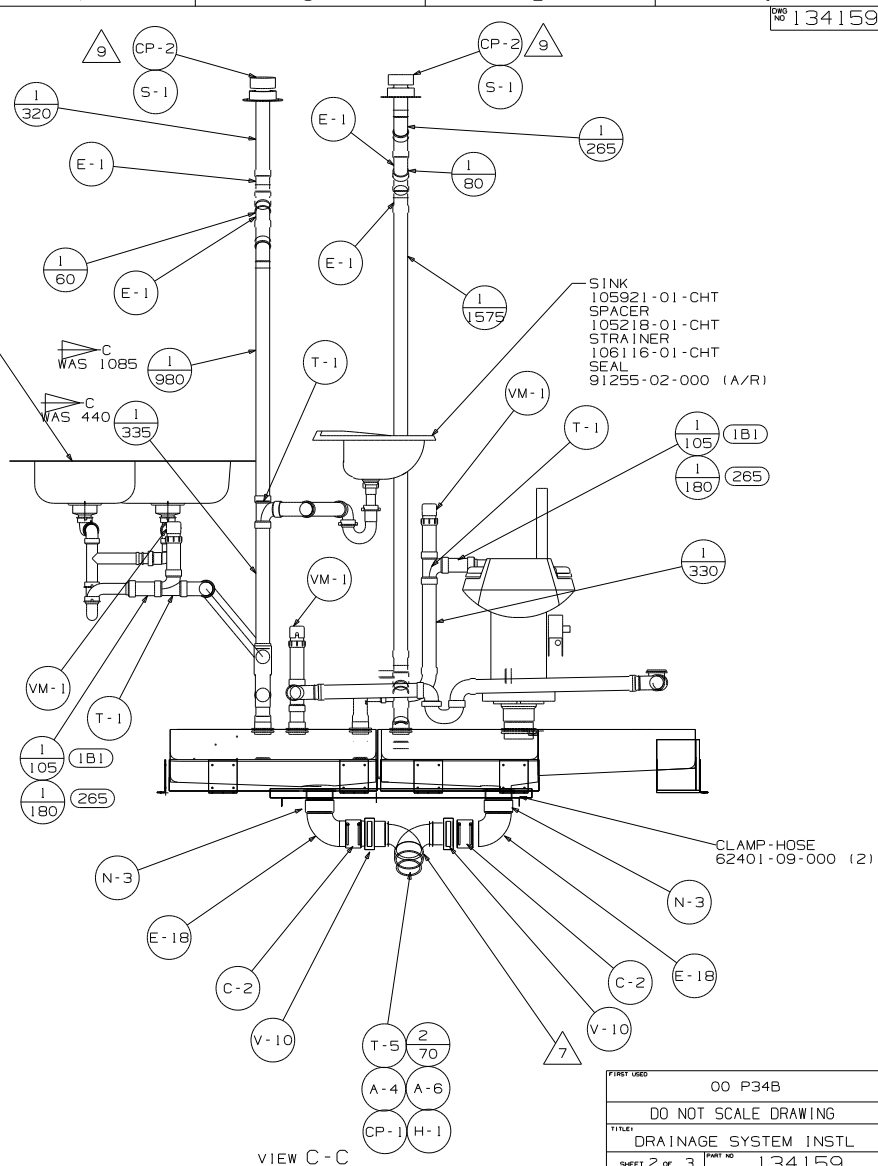
DETAIL A

- SINK-SST,DOUBLE
- 110654-01-000 (US/CAN)
- STAINER
- 92303-01-000 (2)
- SEAL
- 91255-02-000 (A/R)
- RETAINER
- 81828-01-CT
- 83699-15-CHT (2)
- 83699-16-CHT
- 83699-19-CHT (2)
- SCREW
- G67-06-10U (22)
- WASHER-RUBBER
- 127440-02-CHT (2)

- PIPE-FLEX
- 126426-01-000
- (1120)
- PRIMER
- 126427-02-000
- CEMENT
- 126427-01-000

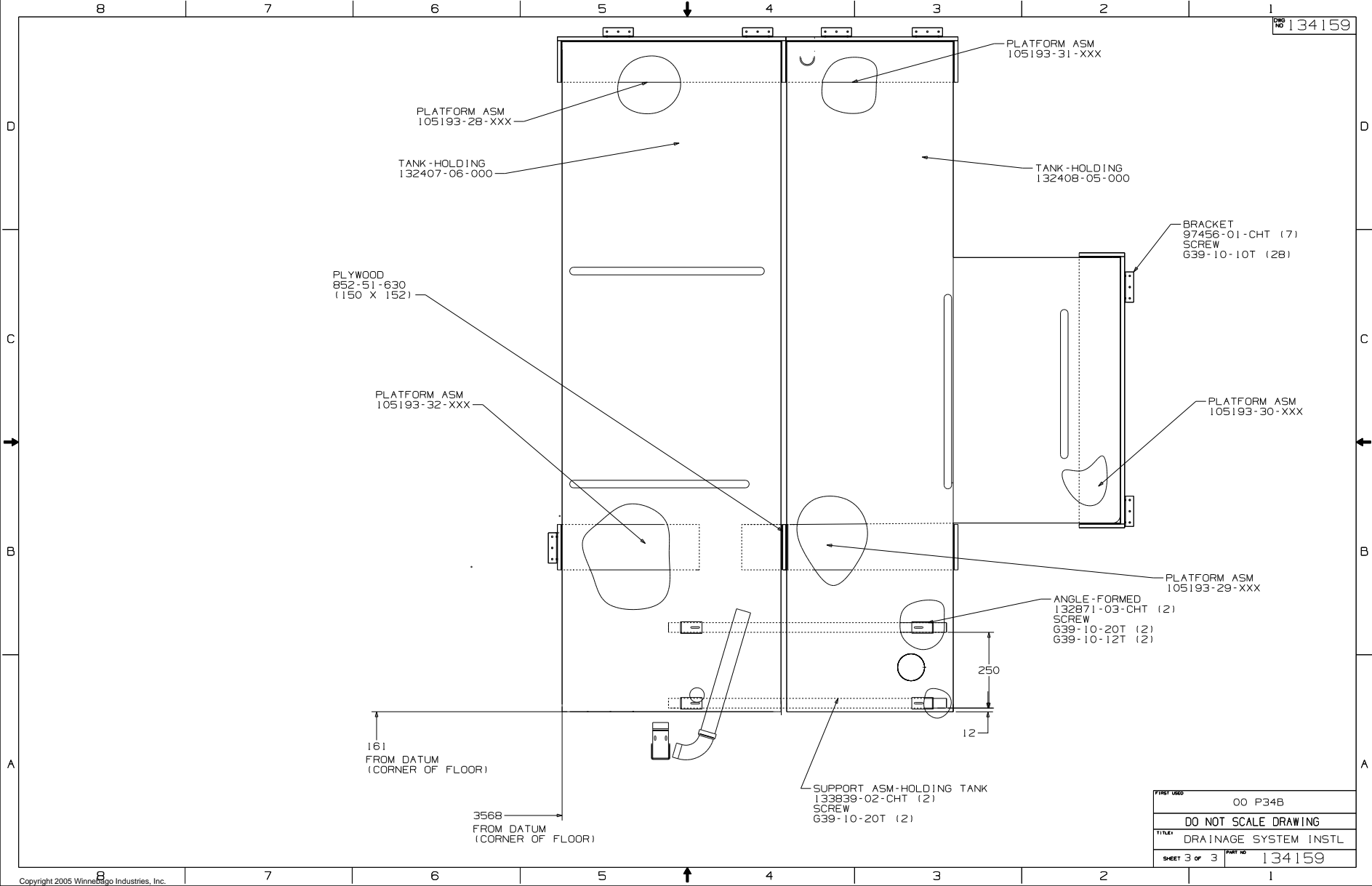


DETAIL B

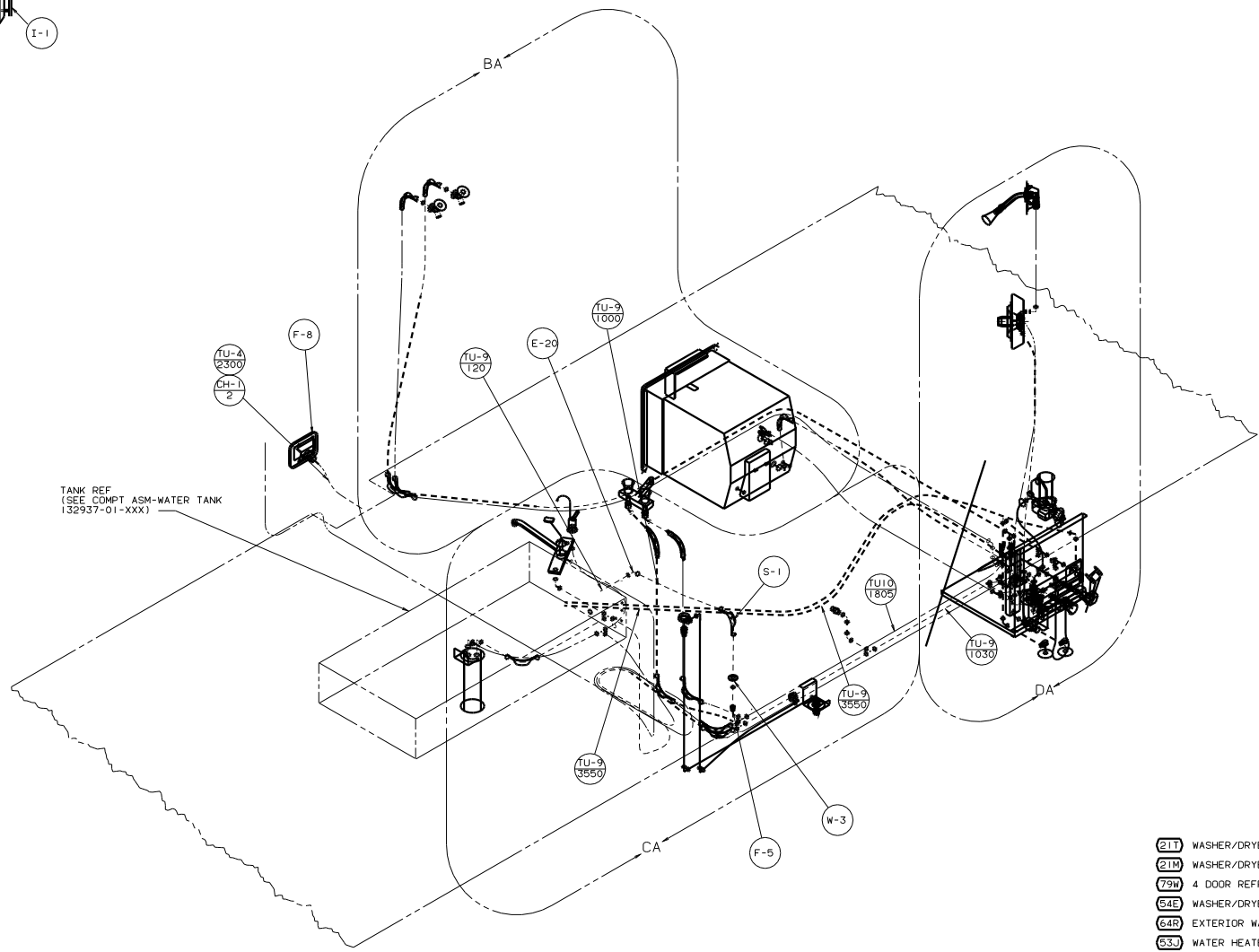
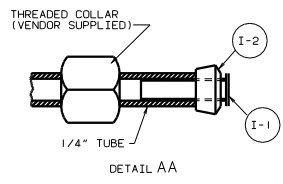


VIEW C-C

FIRST USES	00 P34B
DO NOT SCALE DRAWING	
TITLE: DRAINAGE SYSTEM INSTL	
SHEET 2 OF 3	PART NO 134159



FILED NO	00 P34B
DO NOT SCALE DRAWING	
TITLE	DRAINAGE SYSTEM INSTL
SHEET 3 of 3	PART NO 134159



TANK REF
 (SEE COMPT ASM-WATER TANK
 132937-01-XXX)

- (21T) WASHER/DRYER-WITHOUT
- (21M) WASHER/DRYER PREP
- (79N) 4 DOOR REFRIGERATOR W/ICEMAKER
- (64E) WASHER/DRYER
- (64R) EXTERIOR WASH STATION
- (53J) WATER HEATER BY-PASS-VALVE
- (53F) WATER HEATER-ELEC. IGNITION
- (1B2) WTR HTR-10GAL/ELEC/LP/MTRAITD
- (29B) WATER PURIFIER
- (15U) REFRIGERATOR/FRZR W/ICEMAKER

- NOTES:
1. PLASTIC FITTINGS TO BE SEALED WITH SEALANT 84456-01-000.
 2. TUBING TO BE INSTALLED WITH SUFFICIENT SLOPE TO PROVIDE DRAINAGE TO NEAREST VALVE.
 3. ALL TUBING TO BE SECURED AT 1200 INTERVALS MAXIMUM WITH CLAMP 10495-01-000 OR CLIP 9151-01-000 AND SCREW G67-10-12B.
 4. USE DETAIL "AA" IN THIS AREA.
 5. CLAMPS MUST BE ON BARBS.
 6. FLUSHING SYSTEM REQUIRES 125697-06-000 INSTRUCTION SHEET.

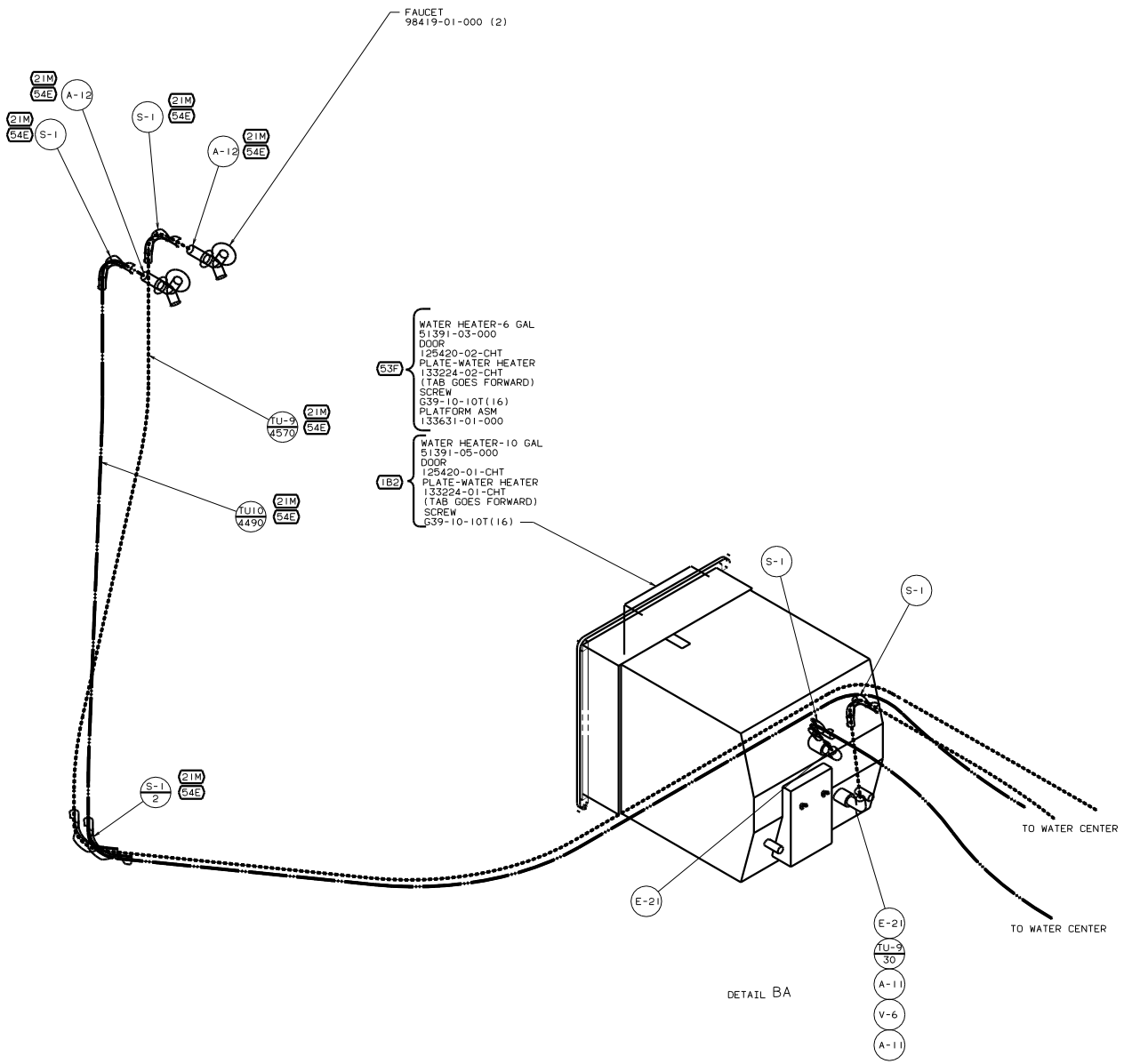
LEGEND	
HOT	-----
COLD	-----

(X-X)
 FOR WATER CALLOUTS SEE DWG NO. 116230-01-000

WINNEBAGO 00 P34B

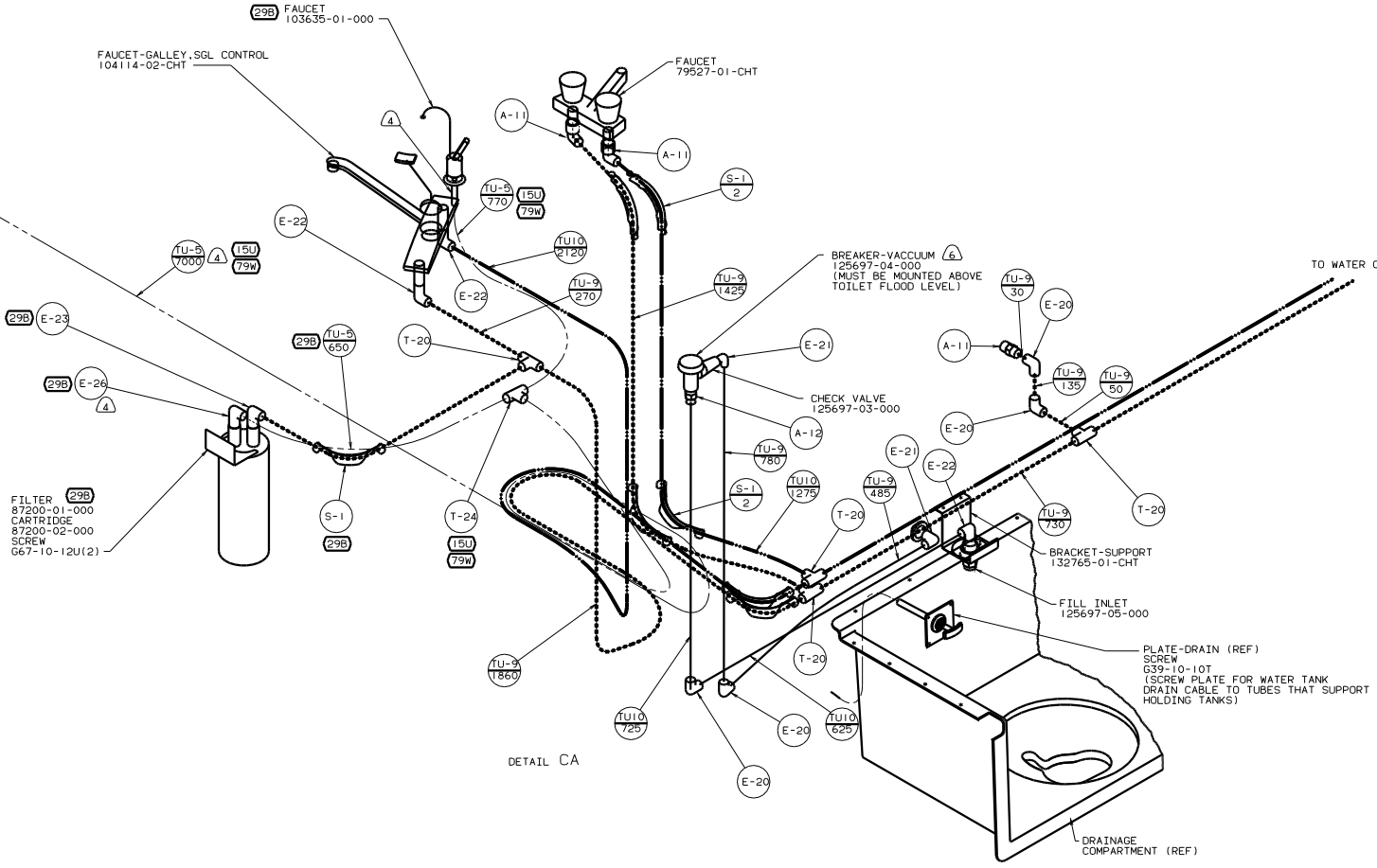
DATE	DATE	UNDESIGNED TOLERANCES ARE:	MATERIAL:
DATE	DATE	WHOLE DIM (IN)	FR
DATE	DATE	ONE-PLACE (IN, IN)	FR
DATE	DATE	TWO-PLACE (IN, IN)	FR
DATE	DATE	THREE-PLACE (IN, IN)	FR
DATE	DATE	FOUR-PLACE (IN, IN)	FR
DATE	DATE	FIVE-PLACE (IN, IN)	FR
DATE	DATE	SIX-PLACE (IN, IN)	FR
DATE	DATE	SEVEN-PLACE (IN, IN)	FR
DATE	DATE	EIGHT-PLACE (IN, IN)	FR
DATE	DATE	NINE-PLACE (IN, IN)	FR
DATE	DATE	TEN-PLACE (IN, IN)	FR
DATE	DATE	ELEVEN-PLACE (IN, IN)	FR
DATE	DATE	TWELVE-PLACE (IN, IN)	FR

LAYOUT P34B
 TITLE: WATER SYSTEM INSTL
 SHEET 1 OF 5
 REF: 133738 C 1



TO REFRIGERATOR

TO WATER CENTER



FILTER (29B)
 87200-01-000
 CARTRIDGE
 87200-02-000
 SCREW
 667-10-12U(2)

BREAKER-VACCUUM (6)
 125697-04-000
 (MUST BE MOUNTED ABOVE
 TOILET FLOOD LEVEL)

CHECK VALVE
 125697-03-000

BRACKET-SUPPORT
 132765-01-CHT

FILL INLET
 125697-05-000

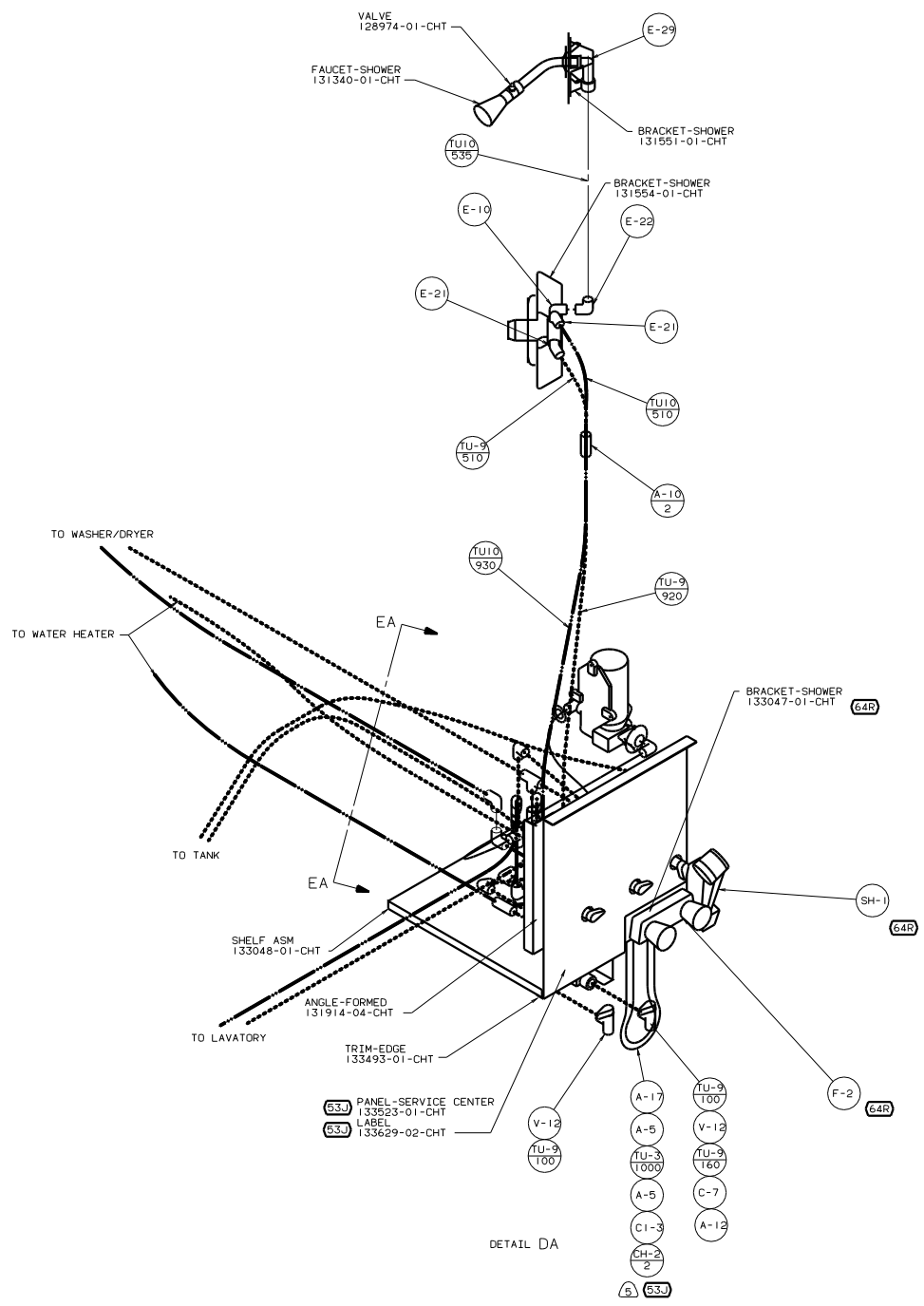
PLATE-DRAIN (REF)
 SCREW
 639-10-10T
 (SCREW PLATE FOR WATER TANK
 DRAIN CABLE TO TUBES THAT SUPPORT
 HOLDING TANKS)

DRAINAGE
 COMPARTMENT (REF)

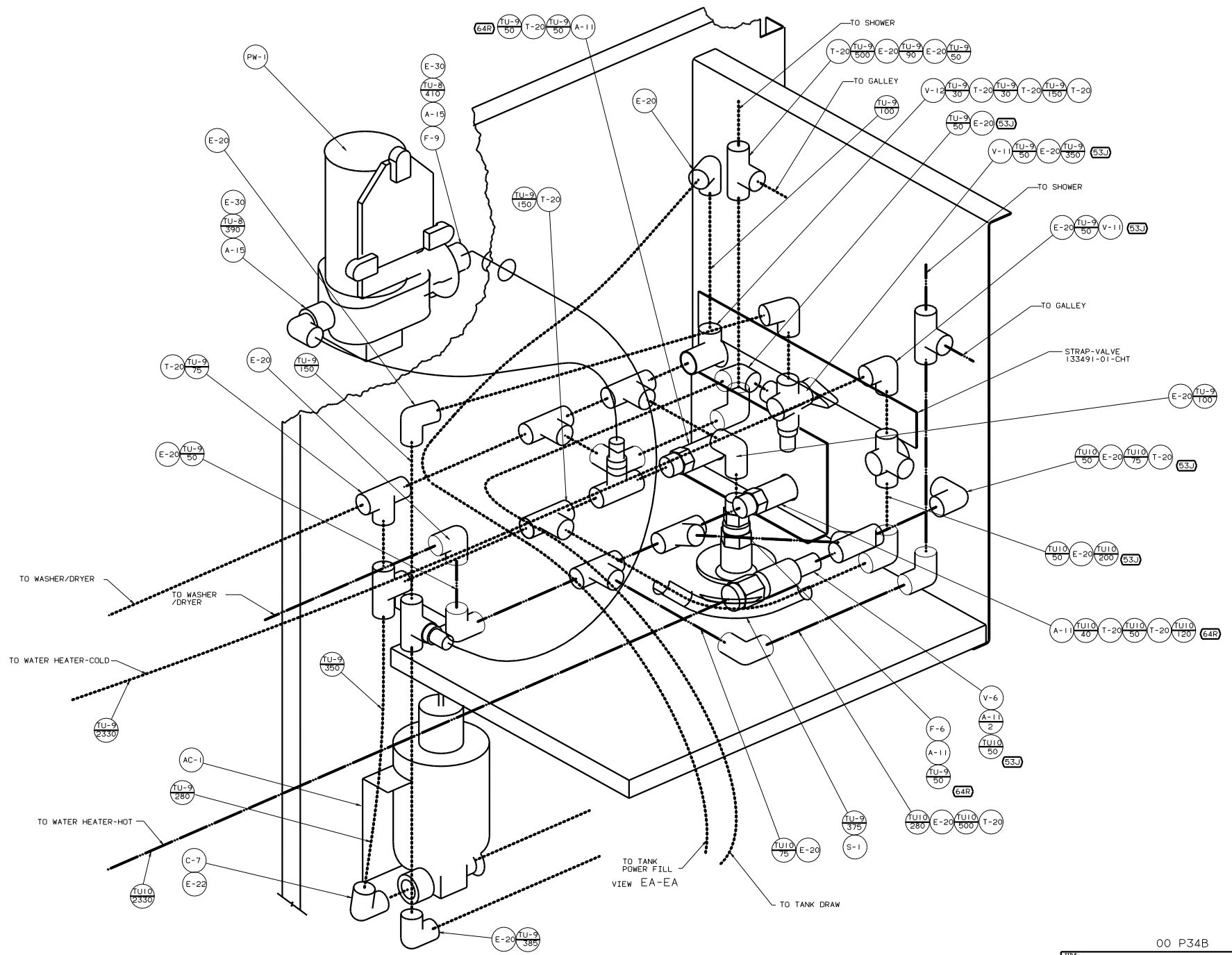
DETAIL CA

00 P34B

TITLE		WATER SYSTEM INSTL	
NO	SCALE	REV	DATE
3		1	
SHEET 3 OF 5		134161	



DETAIL DA



VIEW EA-EA

00 P34B

TITLE: WATER SYSTEM INSTL	
NO. OF SHEETS: 5	SHEET NO. 5
DATE: 11/11/01	REV: 1
PART NO. 134161	