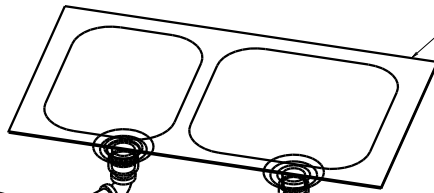


- NOTES:**
1. SLOPE OF HORIZONTAL PIPING TO BE 6 PER 300 MINIMUM.
  2. SLOPE OF TRAP MUST BE 6 PER 300 MINIMUM.
  3. ALL PIPE AND FITTINGS TO BE ASSEMBLED WITH SOLVENT 4020-01-000.
  4. ALL EXTERIOR OPENINGS AROUND PIPE TO BE SEALED WITH 110744-01-000.
  5. TRIM TO FIT.
  6. SEAL ALL AROUND SHOWER PAN.
  7. SEE DWG 61607-01-000 FOR INSTL OF GROMMET.
  8. VENT PIPE MUST PROJECT 51 MIN TO 64 MAX ABOVE ROOF FOR PROPER FIT AND FUNCTION.
  9. SECURE PIPES TO CABINET USING WIRE TIE 108046-02-000 AND SCREW G67-10-12U (8).
  10. SECURE VENT TUBES TO FLOOR WITH BRACKET 95061-01-000 (2) CLAMP 62401-02-000, SCREW G67-10-12B (2).

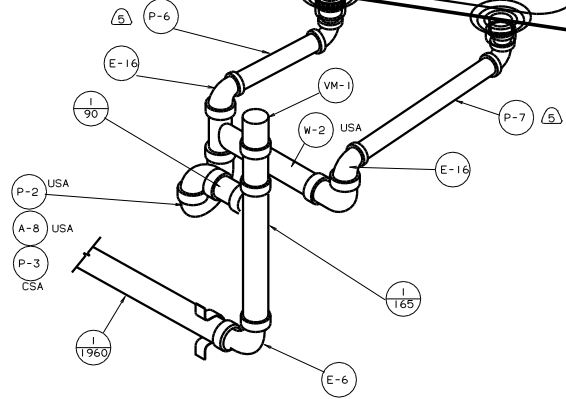
- (WIN) WINNEBAGO ONLY
- (ITA) ITASCA ONLY
- (54E) WASHER/DRYER
- (430) TOILET-PORCELAIN
- (43M) TOILET PORCELAIN-ELONGATE
- (WIN) WINNEBAGO ONLY
- (ITA) ITASCA ONLY
- (21M) WASHER/DRYER PREP
- (265) CODES/STANDARDS-CSA/CMVSS
- (IB1) CODES/STANDARDS USA

FOR DRAINAGE CALLOUTS SEE DWG NO. 116229-01-000

<b>WINNEBAGO</b>		OO L36W	
DATE	DATE	UNDESIGNED TOLERANCES ARE:	MATERIAL
DATE	DATE	WHOLE DIM (IN)	
DATE	DATE	ONE-PLACE (IN.X1)	
DATE	DATE	TWO-PLACE (IN.XXX)	
DATE	DATE	MILL	
DATE	DATE	THIRD ANGLE PROJECTION	
DATE	DATE		
LAYOUT L36W		TITLE: DRAINAGE SYSTEM INSTL	
REV #	SCALE	NOTE	NO. OF SHEETS
			1 OF 3
ALL DIMENSIONS ARE IN MILLIMETERS		SHEET 1 OF 3	
REF: 132899		134322	



- SINK-SST DOUBLE
- 110654-01-000
- STRAINER
- 92303-01-000 (2)
- SEAL
- 91255-02-000 (A/R)
- SCREW
- G57-06-10U (2)
- RETAINER
- 81828-01-CHT
- 83699-15-CHT (2)
- 83699-19-CHT (3)

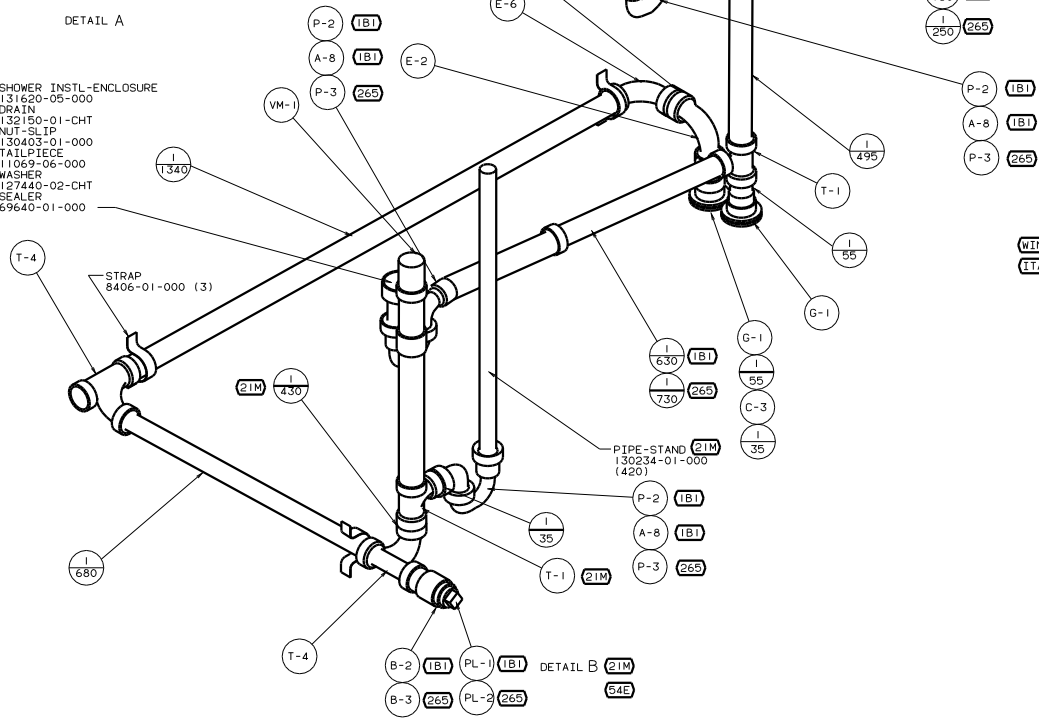


- SINK-LAVATORY
- 105921-01-CHT
- SEAL
- 91255-02-000 (A/R)
- STRAINER
- 106116-01-CHT

DETAIL A

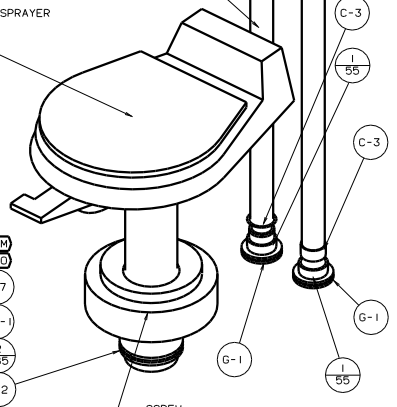
- SHOWER INSTL-ENCLOSURE
- 131620-05-000
- DRAIN
- 132150-01-CHT
- NUT-SLIP
- 130403-01-000
- TAILPIECE
- 11069-06-000
- WASHER
- 127440-02-CHT
- SEALER
- 69640-01-000

- STRAP
- 8406-01-000 (3)



- PIPE-STAND
- 130234-01-000 (420)

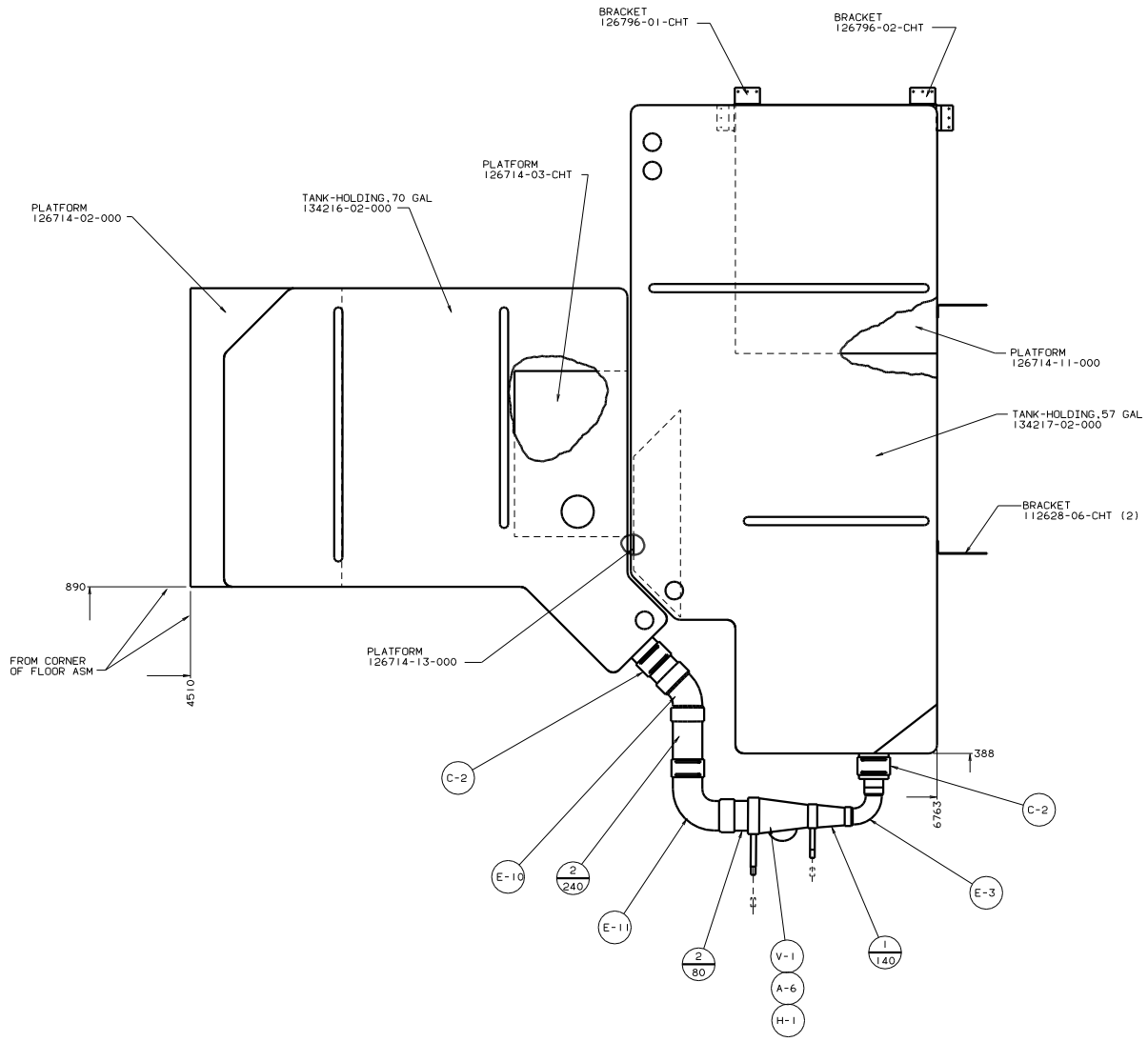
- TOILET-CHINA, STD W/SPRAYER
- 85321-02-CHT
- TOILET-AURORA
- 132389-01-CHT



- SCREW
- 87721-01-000 (8)
- 657-14-64B (8)

DETAIL C

- DETAIL B
- 21M
- 54E



VIEW D-D

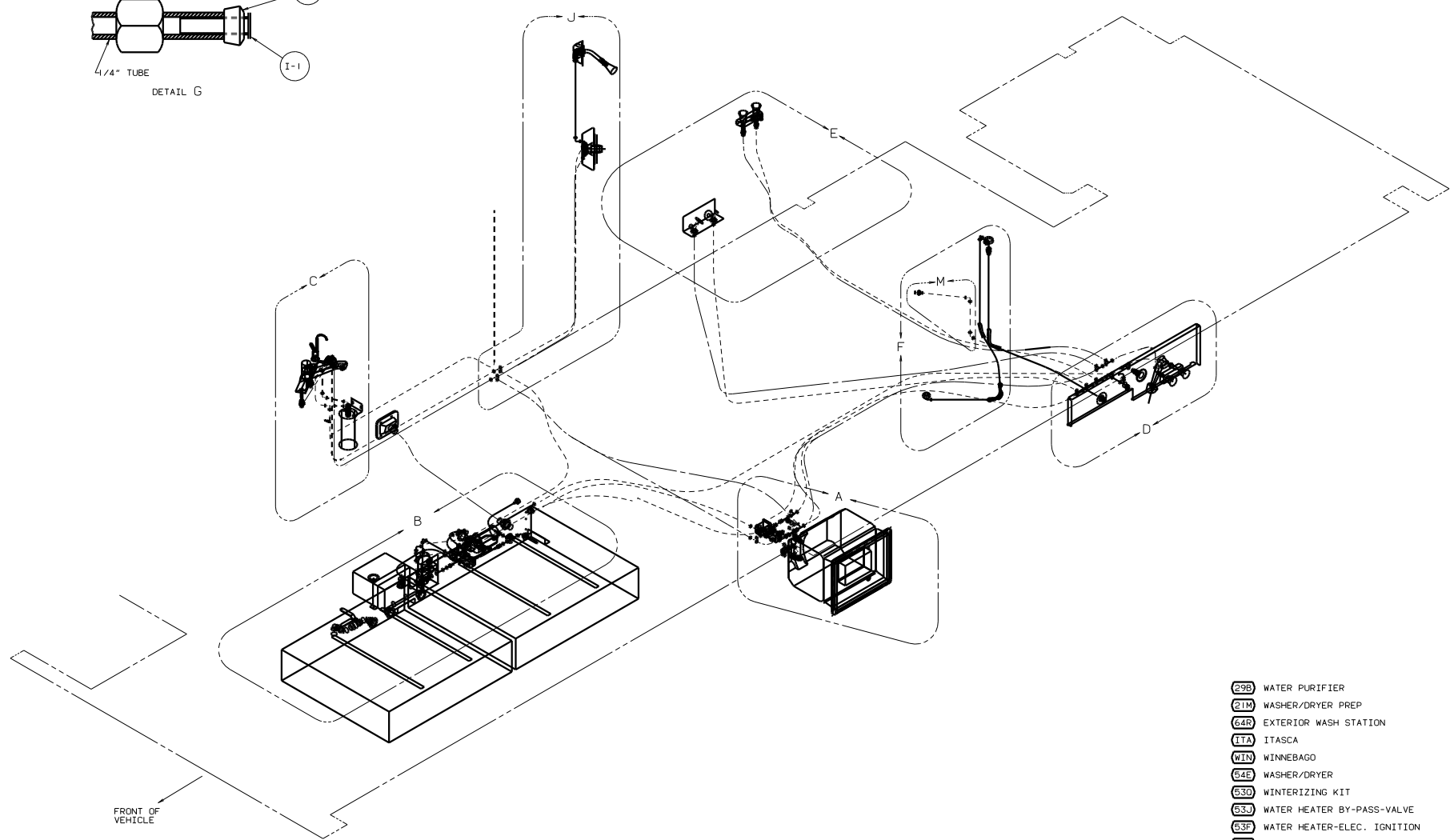
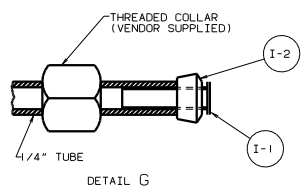
00 L36W

TITLE: DRAINAGE SYSTEM INSTL	
30 000 000 000 000 000	1.0
SHEET 3 OF 3	134322

DWG NO  
134321-01  
134321-02

WIN  
ITA

RELEASE BY DATE OF THIS DRAWING NO 134321  
REV. REVISION RECORD DATE BY



- (29B) WATER PURIFIER
- (21M) WASHER/DRYER PREP
- (64R) EXTERIOR WASH STATION
- (ITA) ITASCA
- (WIN) WINNEBAGO
- (54E) WASHER/DRYER
- (530) WINTERIZING KIT
- (53J) WATER HEATER BY-PASS-VALVE
- (53F) WATER HEATER-ELEC. IGNITION
- (15U) REFRIGERATOR/FRZR W/ICEMAKER
- (1B2) WTR HTR-10GAL/ELEC/LP/MTR/ID

- NOTES:
1. PLASTIC FITTINGS TO BE SEALED WITH SEALANT 84456-01-000.
  2. TUBING TO BE INSTALLED WITH SUFFICIENT SLOPE TO PROVIDE DRAINAGE TO NEAREST VALVE.
  3. ALL TUBING TO BE SECURED AT 1200 INTERVALS MAXIMUM WITH CLAMP 10495-01-000 OR CLIP 91951-01-00 AND SCREW G67-10-12B.

- (8) ADD TEFLON TAPE 10405-03-000 TO FITTING.
- (7) ADD TEFLON TAPE 10405-02-000 TO FITTING.
- (6) FLUSHING SYSTEM REQUIRES 125697-06-000 USER INSTRUCTIONS.
- (5) USE DETAIL "G" IN THIS AREA (BOTH ENDS OF TUBING).
- (4) CLAMPS MUST BE ON BARBS.

LEGEND		WINNEBAGO OO L36W	
HOT	----->	DATE	UNDESIGNED TOLERANCES ARE:
COLD	----->	WHOLE DIM (IN)	FRACTIONAL DIM (IN)
		DATE	ONE-PLACE (IN)
		DATE	TWO-PLACE (IN)
		DATE	THREE-PLACE (IN)
		DATE	FOUR-PLACE (IN)
		DATE	FIVE-PLACE (IN)
		DATE	SIX-PLACE (IN)
		DATE	SEVEN-PLACE (IN)
		DATE	EIGHT-PLACE (IN)
		DATE	NINE-PLACE (IN)
		DATE	TEN-PLACE (IN)
		DATE	ELEVEN-PLACE (IN)
		DATE	TWELVE-PLACE (IN)
		DATE	THIRTEEN-PLACE (IN)
		DATE	FOURTEEN-PLACE (IN)
		DATE	FIFTEEN-PLACE (IN)
		DATE	SIXTEEN-PLACE (IN)
		DATE	SEVENTEEN-PLACE (IN)
		DATE	EIGHTEEN-PLACE (IN)
		DATE	NINETEEN-PLACE (IN)
		DATE	TWENTY-PLACE (IN)
		DATE	TWENTY-ONE PLACE (IN)
		DATE	TWENTY-TWO PLACE (IN)
		DATE	TWENTY-THREE PLACE (IN)
		DATE	TWENTY-FOUR PLACE (IN)
		DATE	TWENTY-FIVE PLACE (IN)
		DATE	TWENTY-SIX PLACE (IN)
		DATE	TWENTY-SEVEN PLACE (IN)
		DATE	TWENTY-EIGHT PLACE (IN)
		DATE	TWENTY-NINE PLACE (IN)
		DATE	THIRTY PLACE (IN)

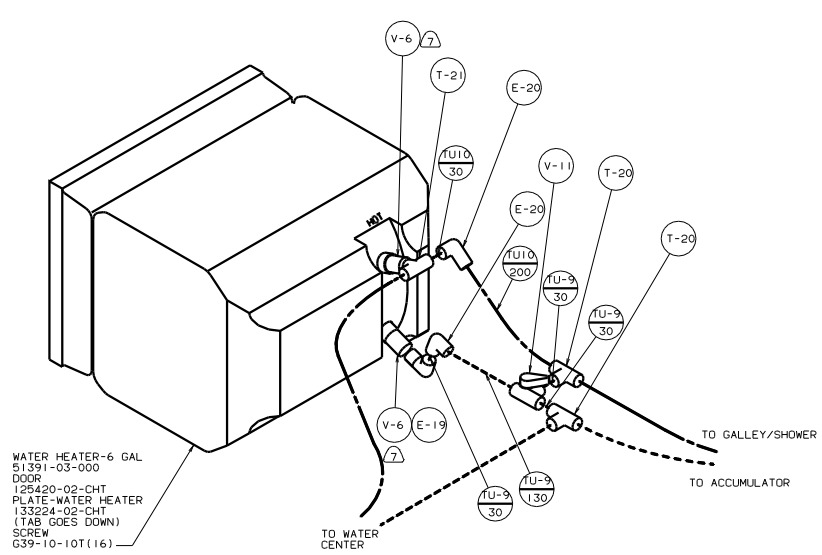
X-X	FOR WATER CALLOUTS SEE DWG NO. 116200-01-000	DATE	SCALE	NO

L36W	DATE	SCALE	NO

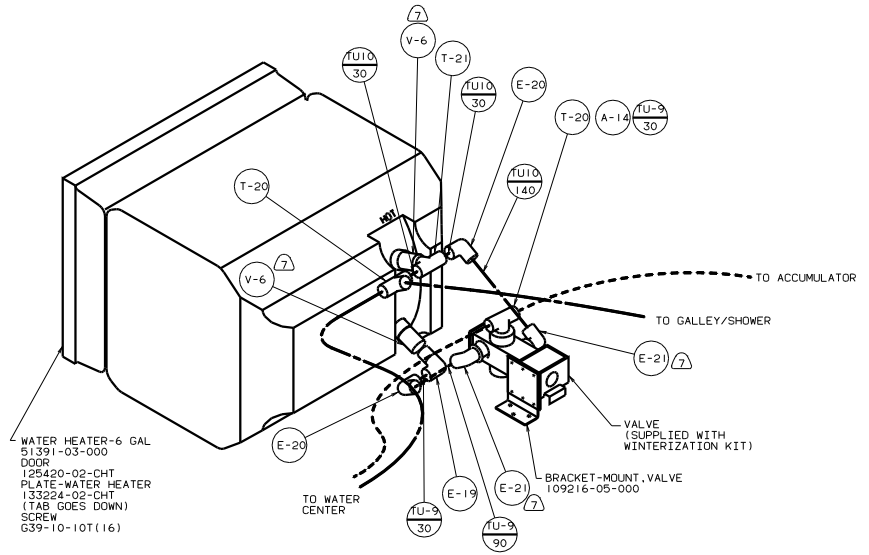
  

134321	DATE	SCALE	NO



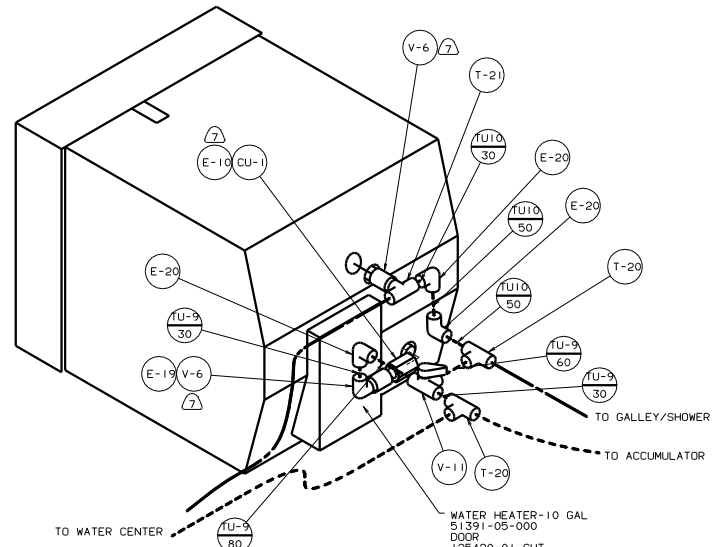
WATER HEATER-6 GAL  
51391-03-000  
DOOR  
125420-02-CHT  
PLATE-WATER HEATER  
133224-02-CHT  
(TAB GOES DOWN)  
SCREW  
G39-10-10T(16)

DETAIL A  
53F  
53J



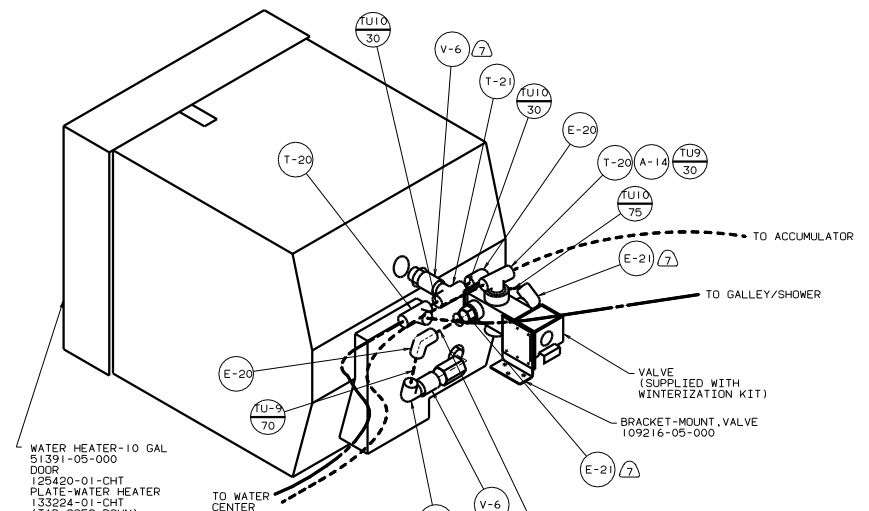
WATER HEATER-6 GAL  
51391-03-000  
DOOR  
125420-02-CHT  
PLATE-WATER HEATER  
133224-02-CHT  
(TAB GOES DOWN)  
SCREW  
G39-10-10T(16)

DETAIL A  
53F  
53D



WATER HEATER-10 GAL  
51391-05-000  
DOOR  
125420-01-CHT  
PLATE-WATER HEATER  
133224-01-CHT  
(TAB GOES DOWN)  
SCREW  
G39-10-10T(16)

DETAIL A  
1B2  
53J



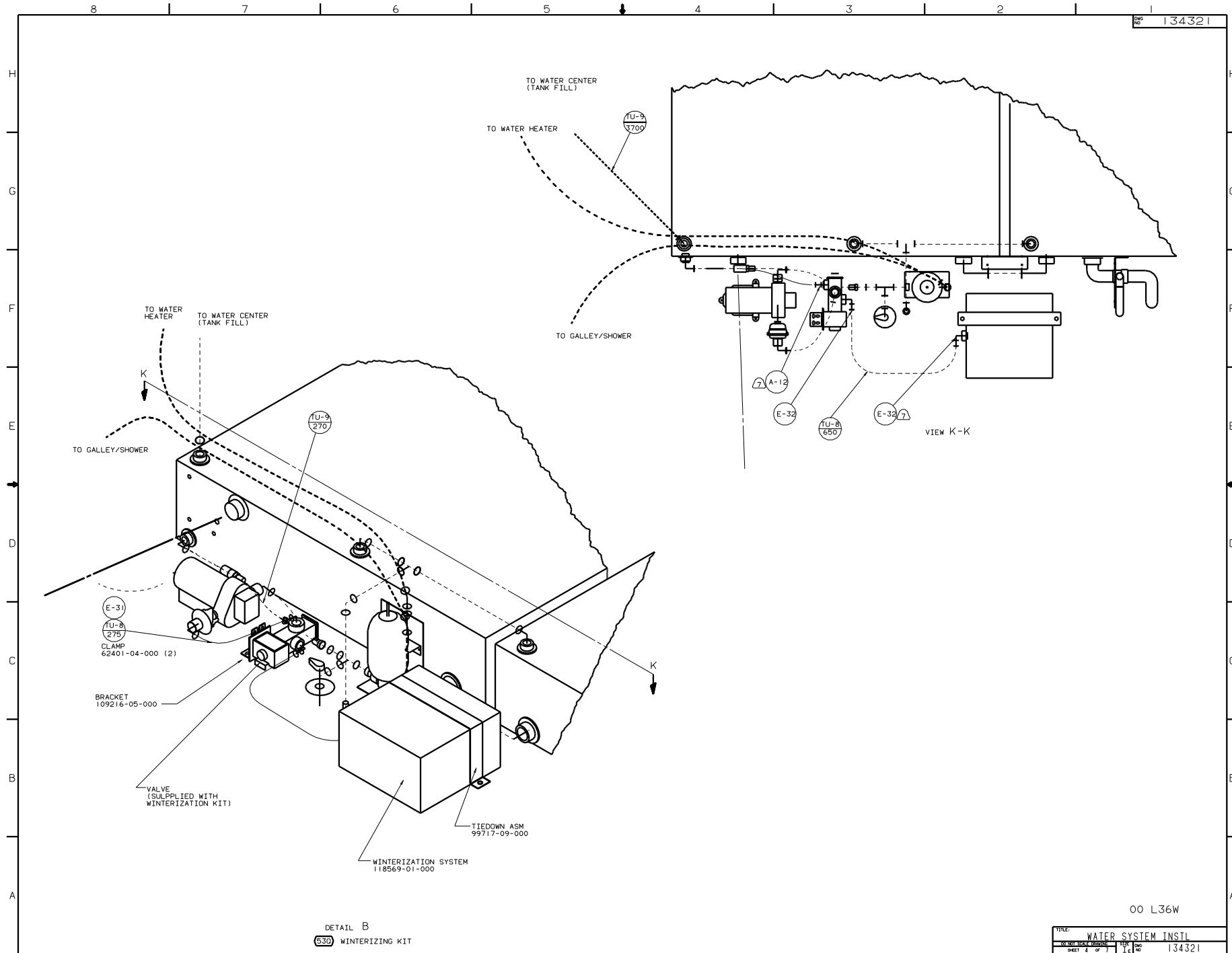
WATER HEATER-10 GAL  
51391-05-000  
DOOR  
125420-01-CHT  
PLATE-WATER HEATER  
133224-01-CHT  
(TAB GOES DOWN)  
SCREW  
G39-10-10T(16)

DETAIL A  
53D  
1B2

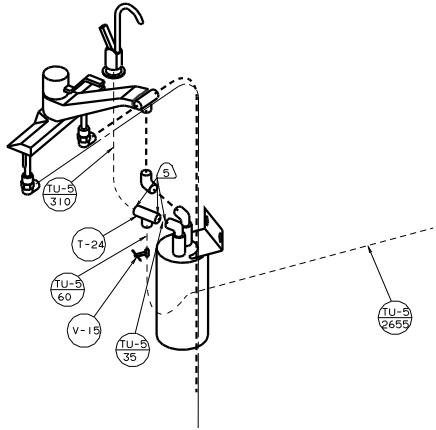
00 L36W

TITLE		WATER SYSTEM INSTL	
NO	DATE	BY	CHK
2	7	1	1
SHEET		2 OF 7	
134321		134321	

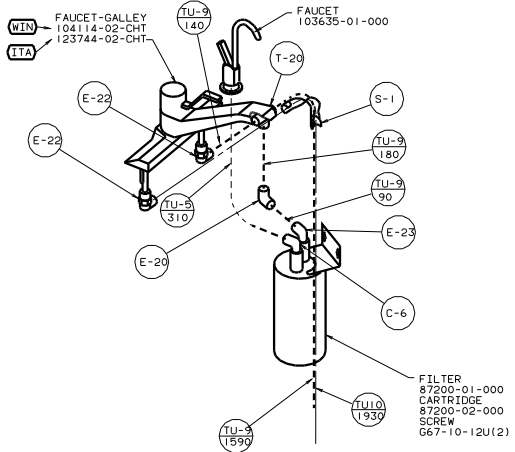




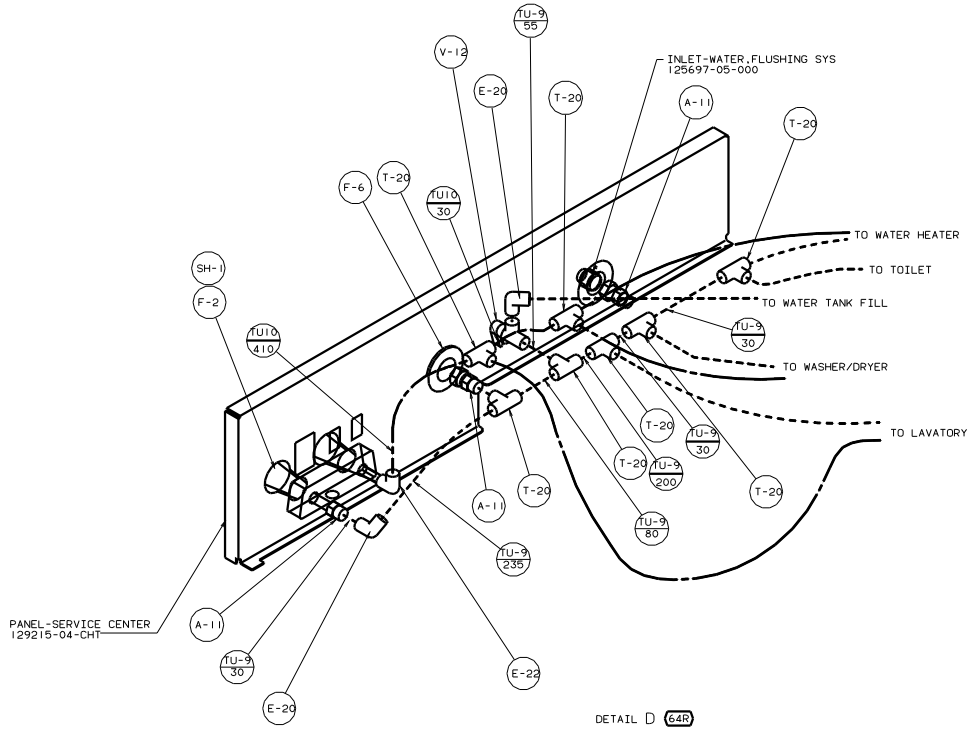
00 L36W



DETAIL C (29B) (15U) (79W)

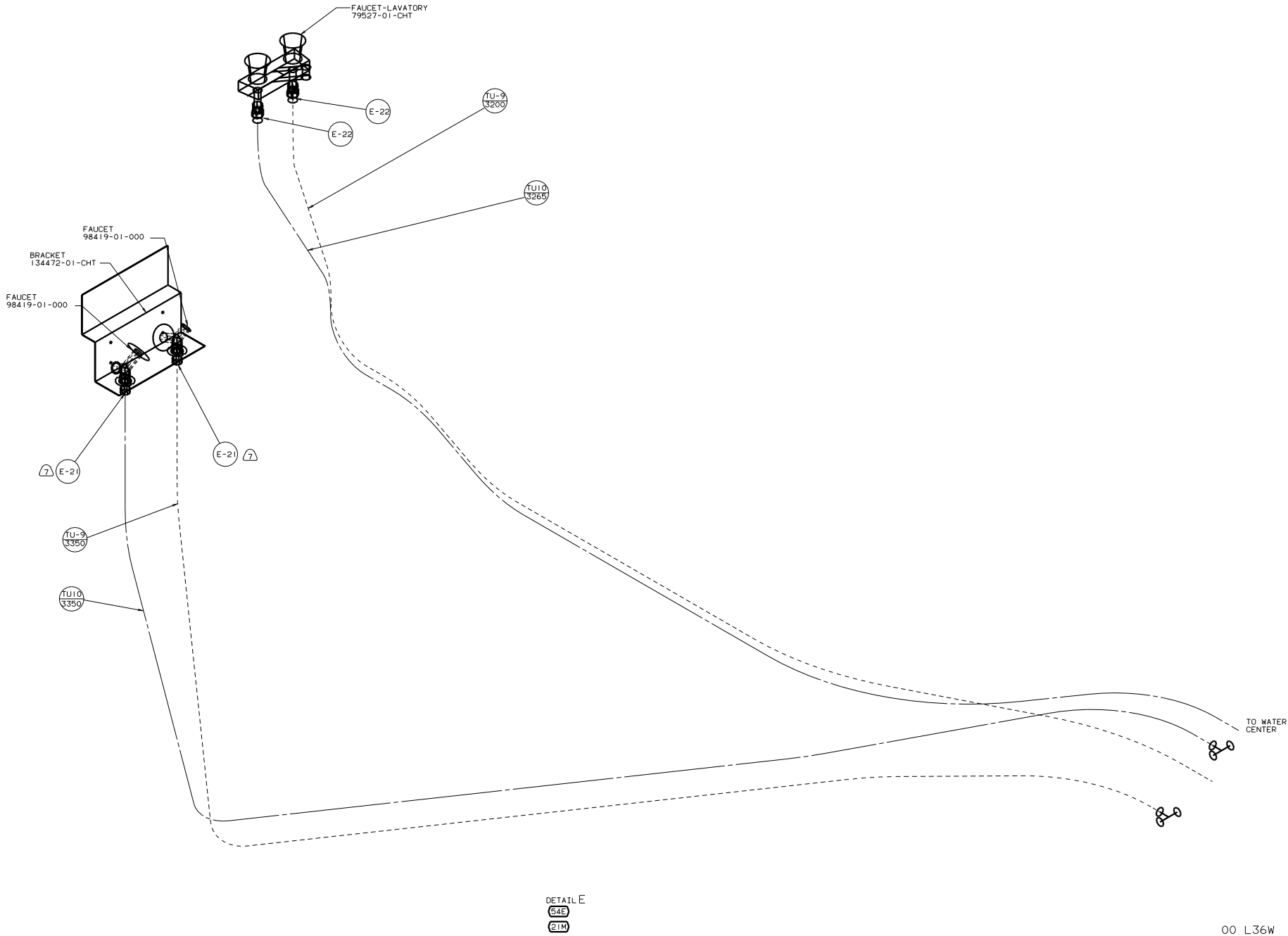


DETAIL C (29B)



DETAIL D (64R)





DETAIL E  
 54E  
 21M

00 L36W

TITLE: WATER SYSTEM INSTL	
DO NOT SCALE DRAWING	DATE: 11/11/05
SHEET 6 OF 7	FILE NO: 134321

