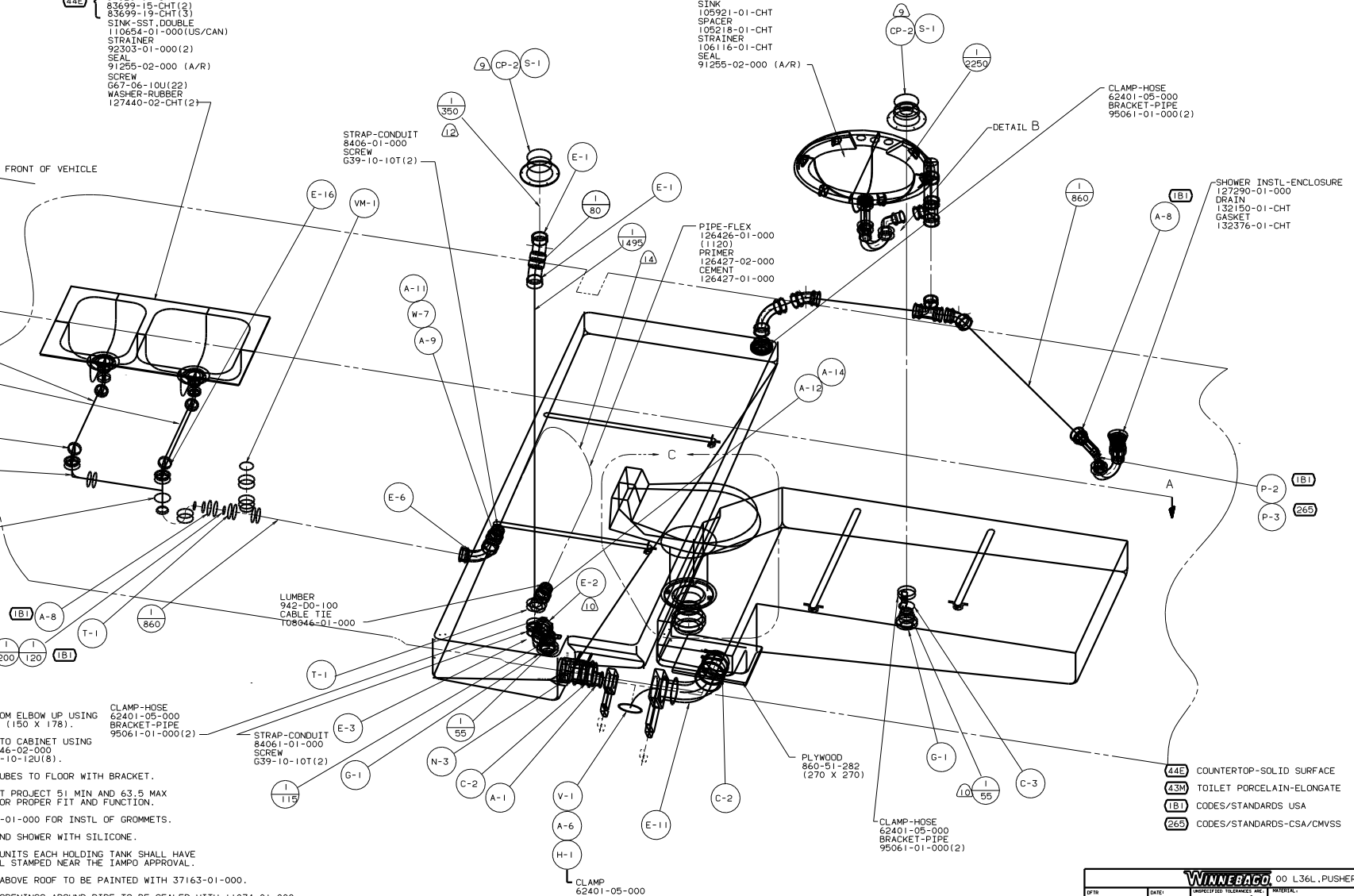


- (44E) {
 RETAINER
 81828-01-CHT
 83699-15-CHT(2)
 83699-19-CHT(3)
 SINK-SST.DOUBLE
 110654-01-000(US/CAN)
 STRAINER
 92303-01-000(2)
 SEAL
 91285-02-000 (A/R)
 SCREW
 G67-06-10U(22)
 WASHER-RUBBER
 127440-02-CHT(2)

- SINK
 105921-01-CHT
 SPACER
 105218-01-CHT
 STRAINER
 106116-01-CHT
 SEAL
 91255-02-000 (A/R)



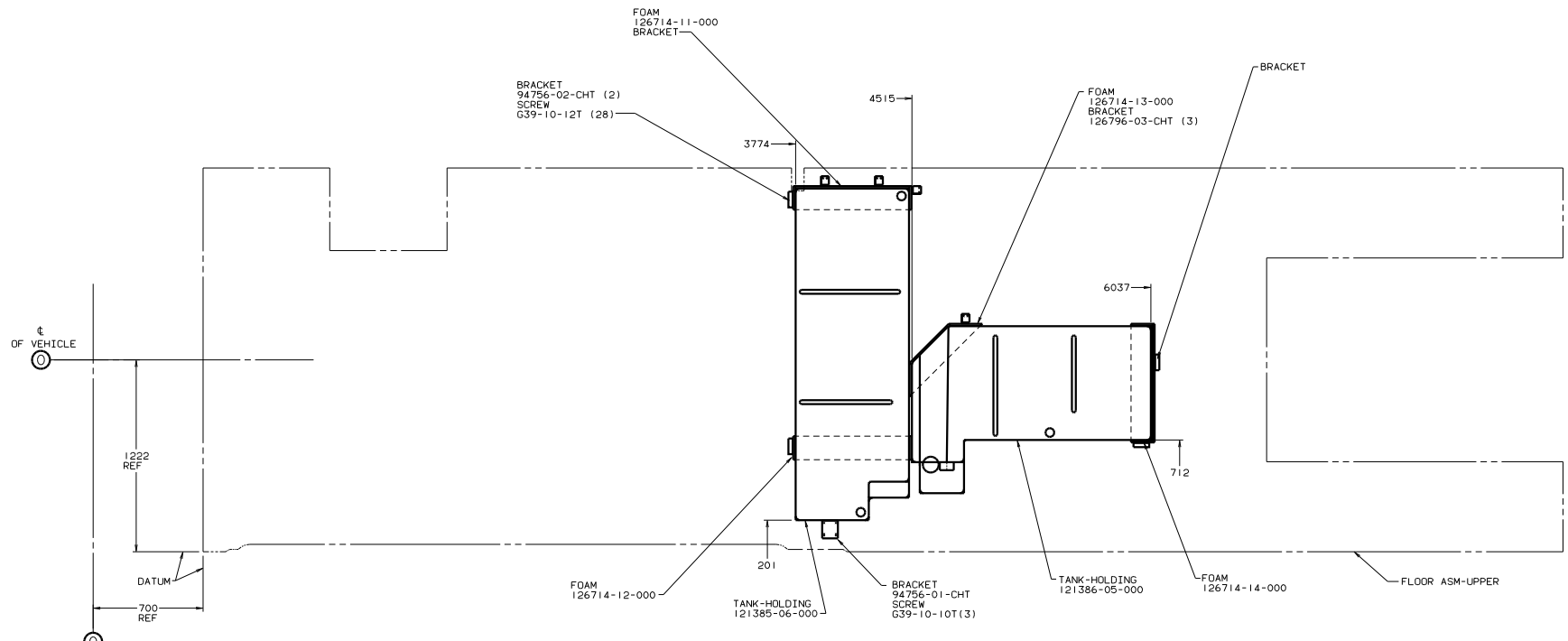
- (13) TRIM TO FIT.
 (12) COVER PIPE FROM ELBOW UP USING 9CARPT-02-000 (150 X 178).
 (11) SECURE PIPES TO CABINET USING WIRE TIE 108046-02-000 AND SCREW G67-10-12U(8).
 (10) SECURE VENT TUBES TO FLOOR WITH BRACKET.
 (9) VENT PIPE MUST PROJECT 51 MIN ABOVE ROOF FOR PROPER FIT AND FUNCTION.
 8. SEE DWG 61607-01-000 FOR INSTL OF GROMMETS.
 7. SEAL ALL AROUND SHOWER WITH SILICONE.
 6. FOR CANADIAN UNITS EACH HOLDING TANK SHALL HAVE A CSA APPROVAL STAMPED NEAR THE TAMPO APPROVAL.
 5. EXPOSED PIPE ABOVE ROOF TO BE PAINTED WITH 37163-01-000.
 4. ALL EXTERIOR OPENINGS AROUND PIPE TO BE SEALED WITH 11074-01-000.
 3. ALL PIPE AND FITTINGS TO BE ASSEMBLED WITH SOLVENT 4020-01-000.
 2. SLOPE OF TRAP ARM MUST BE 6 PER 305.
 1. SLOPE OF HORIZONTAL PIPING TO BE 6 PER 305 MIN.

- (15) BRACKET ON PLATFORM ASM MAY NEED TO BE REPOSITIONED.
 (14) CLAMP TO CABINET (2 PLACES).

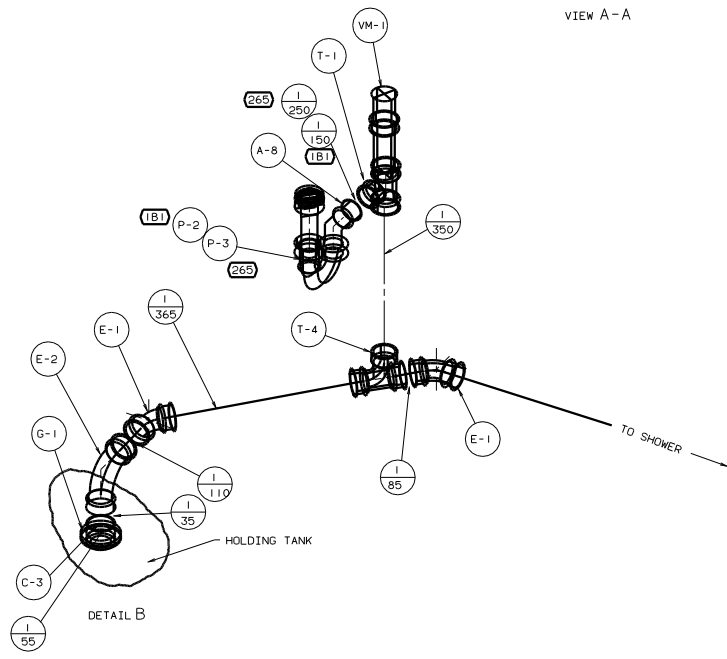
- (44E) COUNTERTOP-SOLID SURFACE
 (43M) TOILET PORCELAIN-ELONGATE
 (1B1) CODES/STANDARDS USA
 (265) CODES/STANDARDS-CSA/CMVSS

FOR DRAINAGE CALLOUTS SEE DWG NO. 16229-01-000

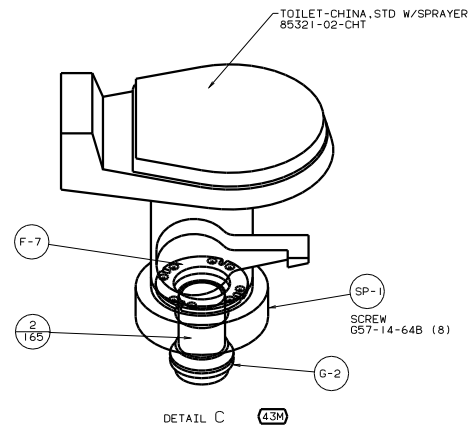
WINNEBAGO L36L00 PUSHER			
DRAWN	DATE	UNDESIGNED TOLERANCES ARE:	MATERIAL
P. E.	DATE	WHOLE (FRACTION)	FRACTION (FRACTION)
P. I.	DATE	FINISH (FRACTION)	FRACTION (FRACTION)
CHECKED	DATE	DECIMAL (FRACTION)	FRACTION (FRACTION)
TITLE	DATE	THIRD ANGLE PROJECTION	
LAYER NO 136L00			
DRAWN BY 136L00		SCALE	AS SHOWN
CHECKED BY		TITLE	DRAINAGE SYSTEM INSTL
DATE	SHEET 1 OF 2	NO	133968



VIEW A-A

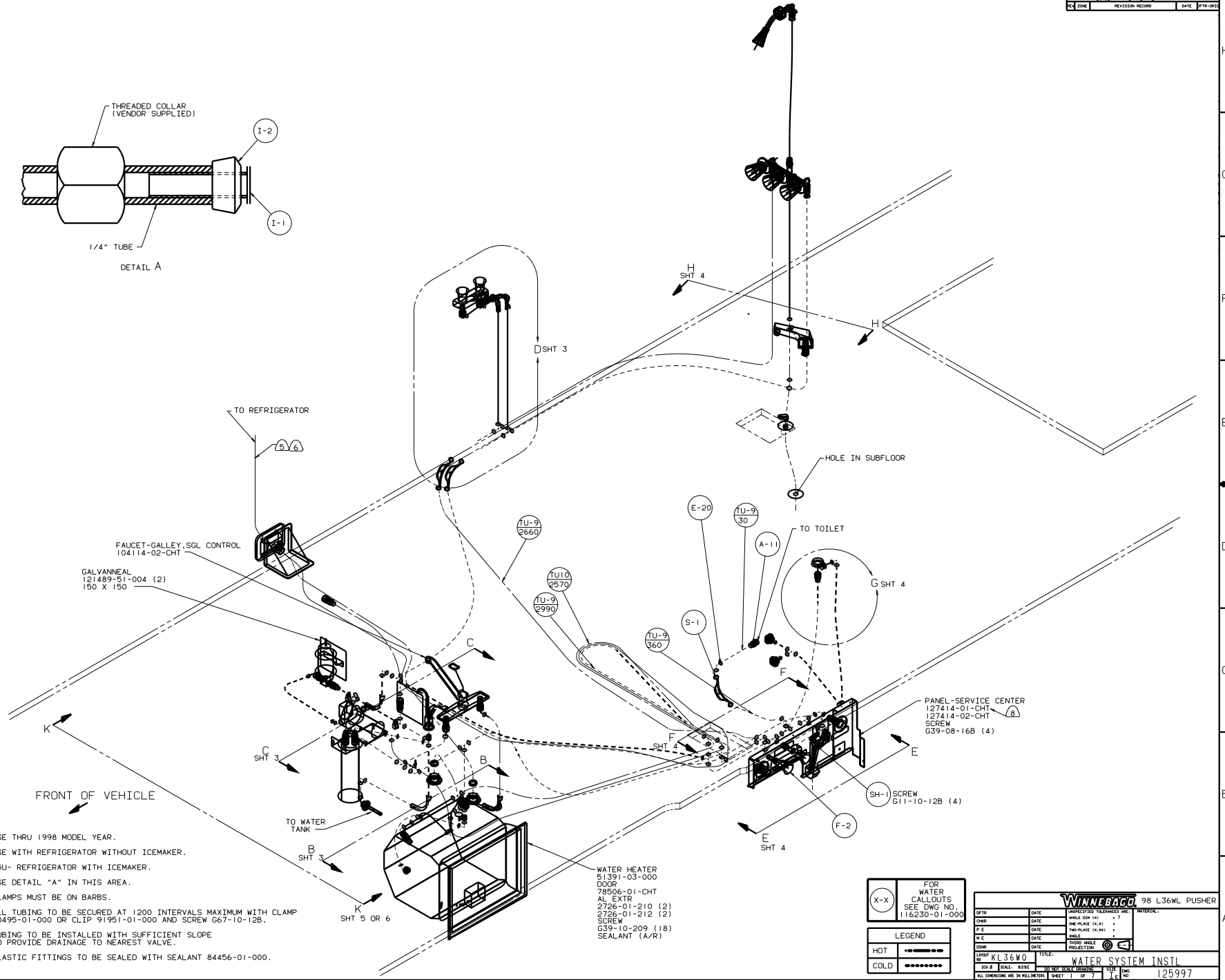
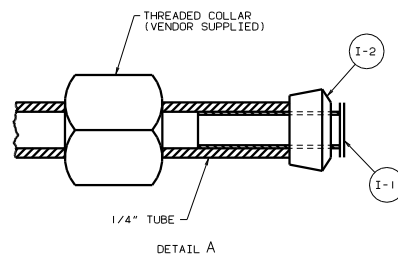


DETAIL B



DETAIL C

00 L36L, PUSHER	
TITLE: DRAINAGE SYSTEM INSTL	
DO NOT SCALE DRAWING	DATE
SHEET 2 OF 2	1.6
133968	



- Ⓐ USE THRU 1998 MODEL YEAR.
- Ⓑ USE WITH REFRIGERATOR WITHOUT ICEMAKER.
- Ⓒ 15U- REFRIGERATOR WITH ICEMAKER.
- Ⓓ USE DETAIL "A" IN THIS AREA.
- Ⓔ CLAMPS MUST BE ON BARBS.

3. ALL TUBING TO BE SECURED AT 1200 INTERVALS MAXIMUM WITH CLAMP 10495-01-000 OR CLIP 91951-01-000 AND SCREW G67-10-12B.
2. TUBING TO BE INSTALLED WITH SUFFICIENT SLOPE TO PROVIDE DRAINAGE TO NEAREST VALVE.
1. PLASTIC FITTINGS TO BE SEALED WITH SEALANT 84456-01-000.

NOTES:

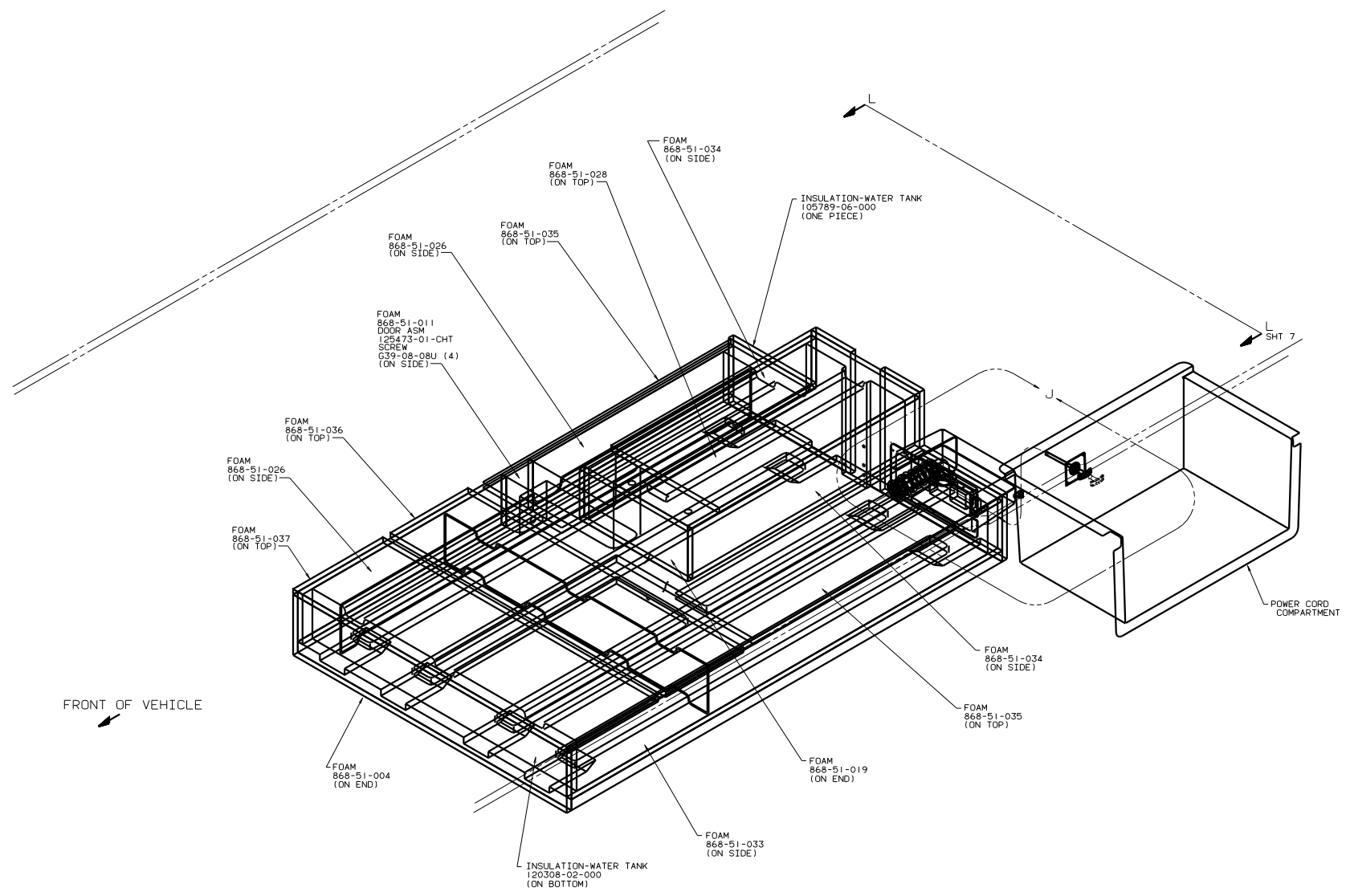
- WATER HEATER 51391-03-000
- DOOR 2726-01-210 (2)
- 78506-01-CHT AL EXTR 2726-01-212 (2)
- SCREW G39-10-209 (18)
- SEALANT (A/R)

FOR WATER CALLOUTS SEE DWG NO. I16230-01-000

(X-X)

LEGEND	
HOT	◆◆◆◆◆◆
COLD	●●●●●●

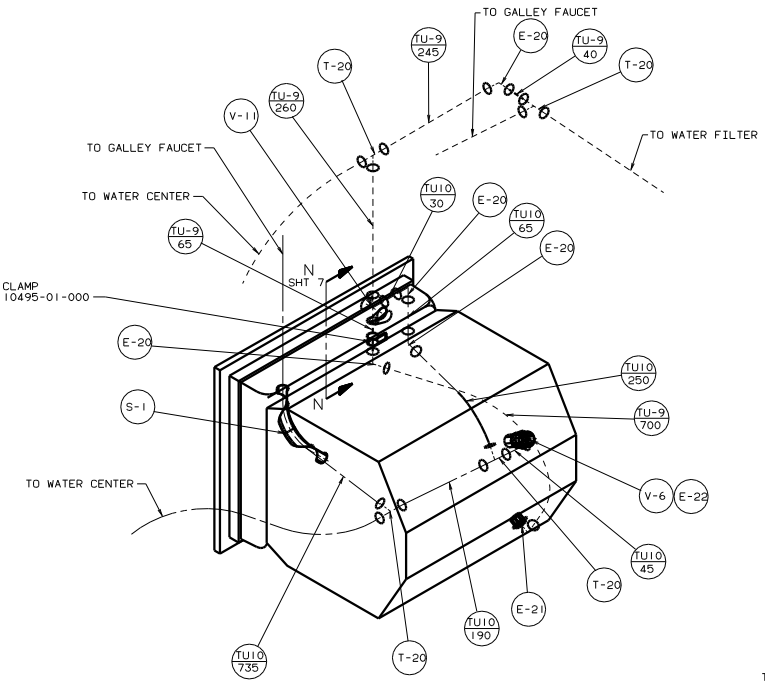
98 L36WL PUSHER		DATE	UNDESIGNED TOLERANCES ARE:	MATERIAL
		DATE	ONE PLACE (R.X)	
DATE	DATE	DATE	DATE	DATE
DATE	DATE	DATE	DATE	DATE
DATE	DATE	DATE	DATE	DATE
DATE	DATE	DATE	DATE	DATE
DATE	DATE	DATE	DATE	DATE
DATE	DATE	DATE	DATE	DATE
LAYOUT NO. KL36WD TITLE: WATER SYSTEM INSTL		DATE: 125997 SHEET 1 OF 7		



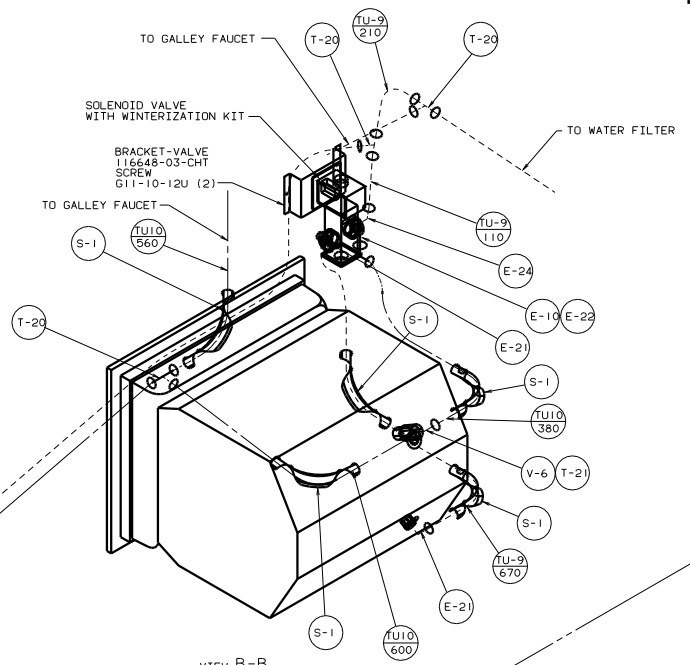
FRONT OF VEHICLE

98 L36WL PUSHER

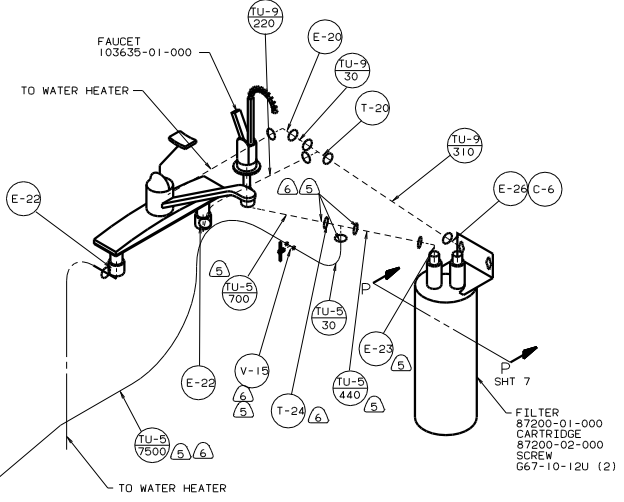
TITLE		125997	
WATER SYSTEM INSTL			
DATE	REV	DATE	REV
11/11/05	1	11/11/05	1
SHEET 2 OF 7		125997	



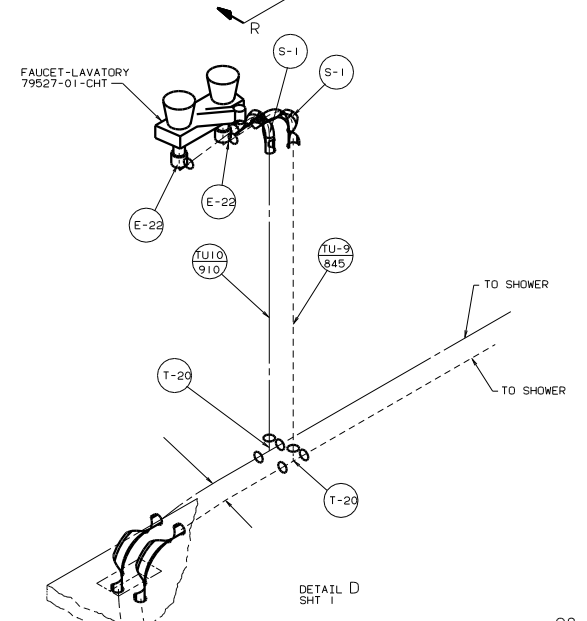
VIEW B-B
SHT 1
53J-WATER HEATER BYPASS VALVE



VIEW B-B
SHT 1
530-WATER HEATER AUTOMATIC WINTERIZER



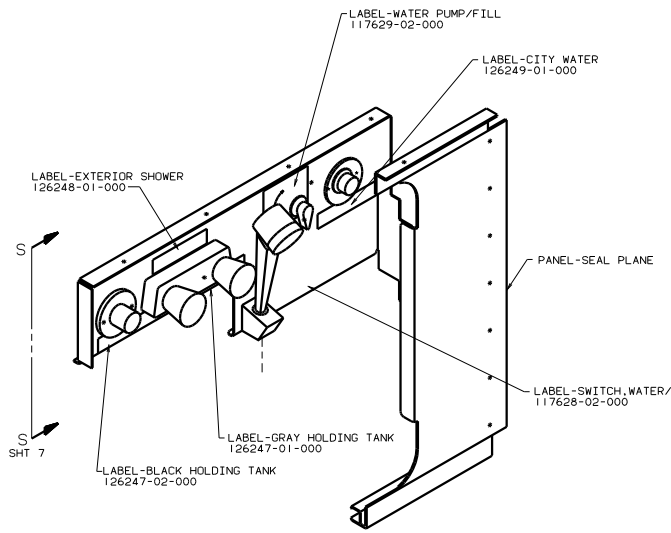
VIEW C-C
SHT 1
29B-WATER PURIFIER



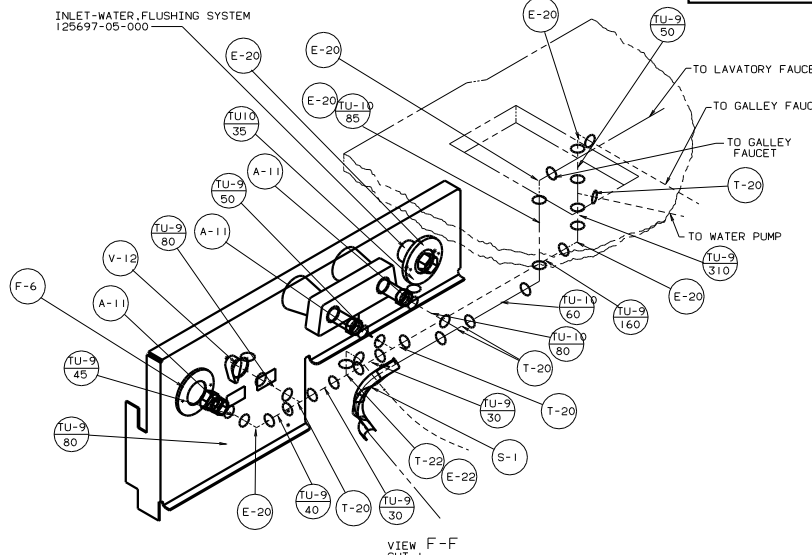
DETAIL D
SHT 1

98 L36WL PUSHER

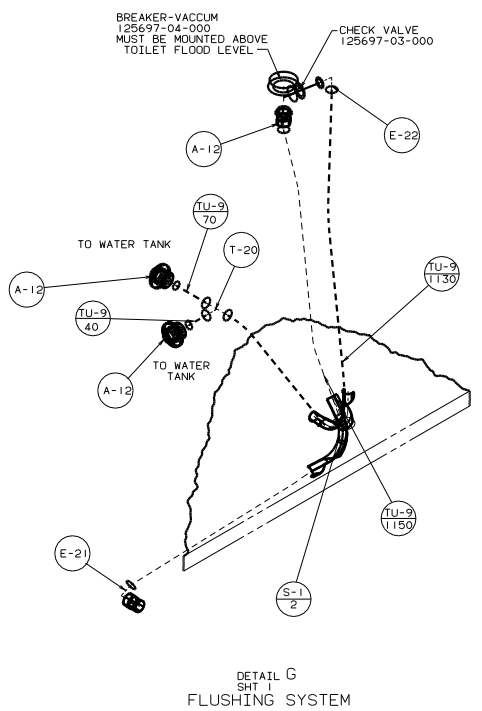
TITLE: WATER SYSTEM INSTL	
30 THE SCALE IS AS SHOWN	THE SHEET NO
SHEET 3 OF 7	125997



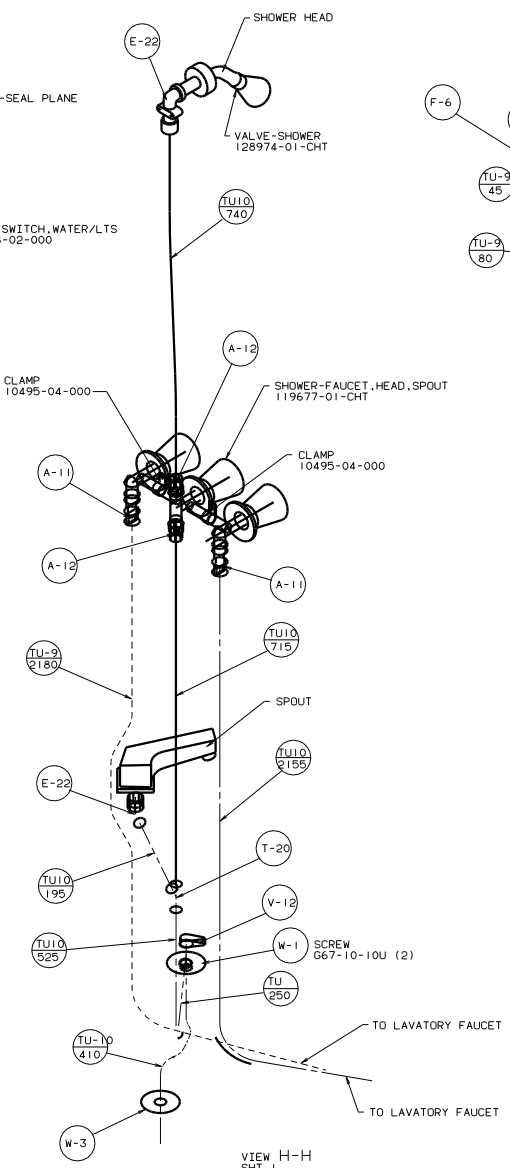
VIEW E-E SHT 1



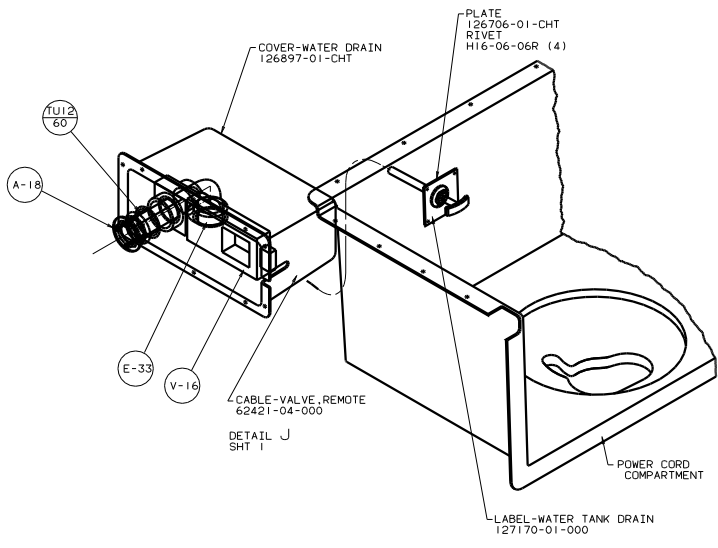
VIEW F-F SHT 1



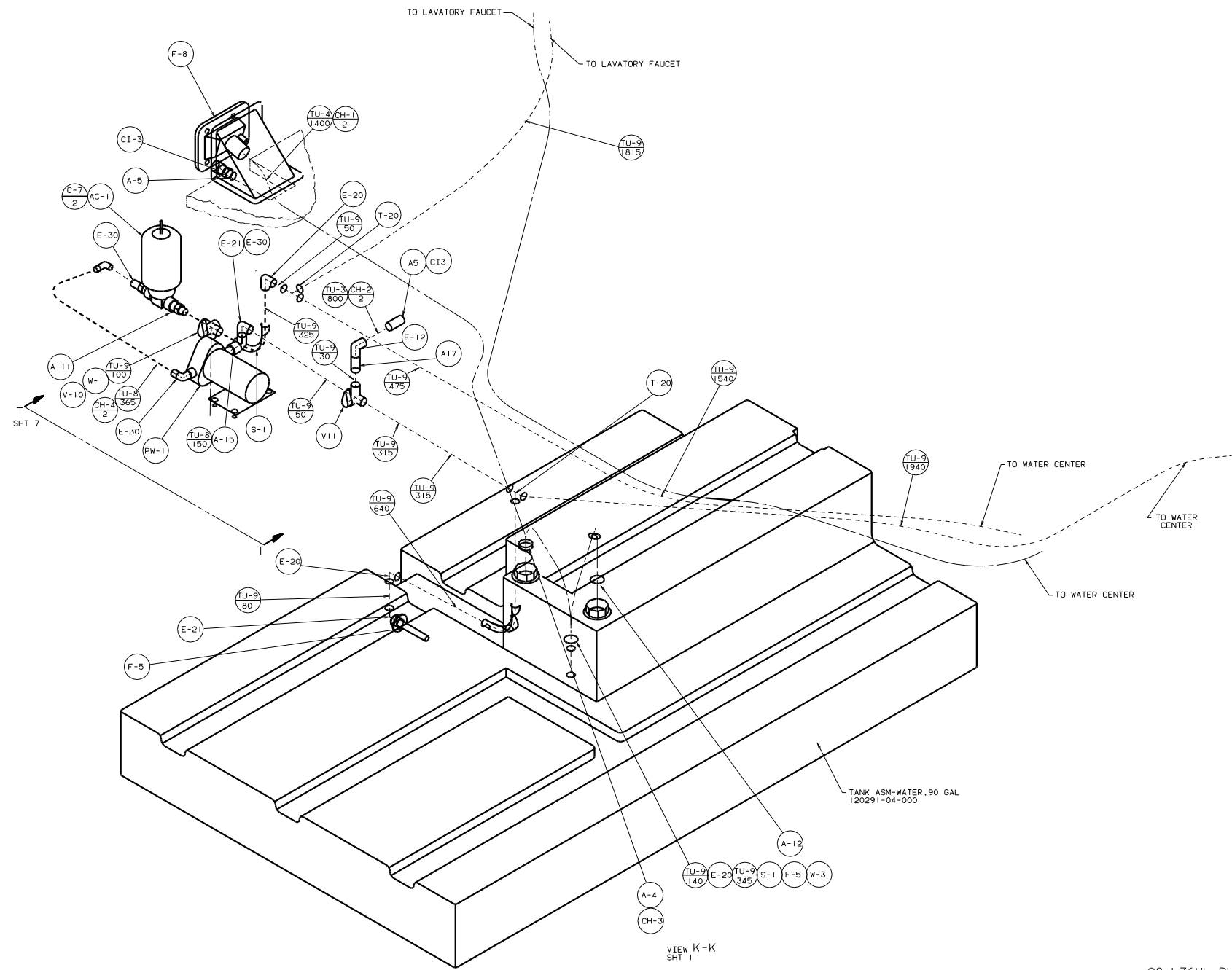
DETAIL G SHT 1



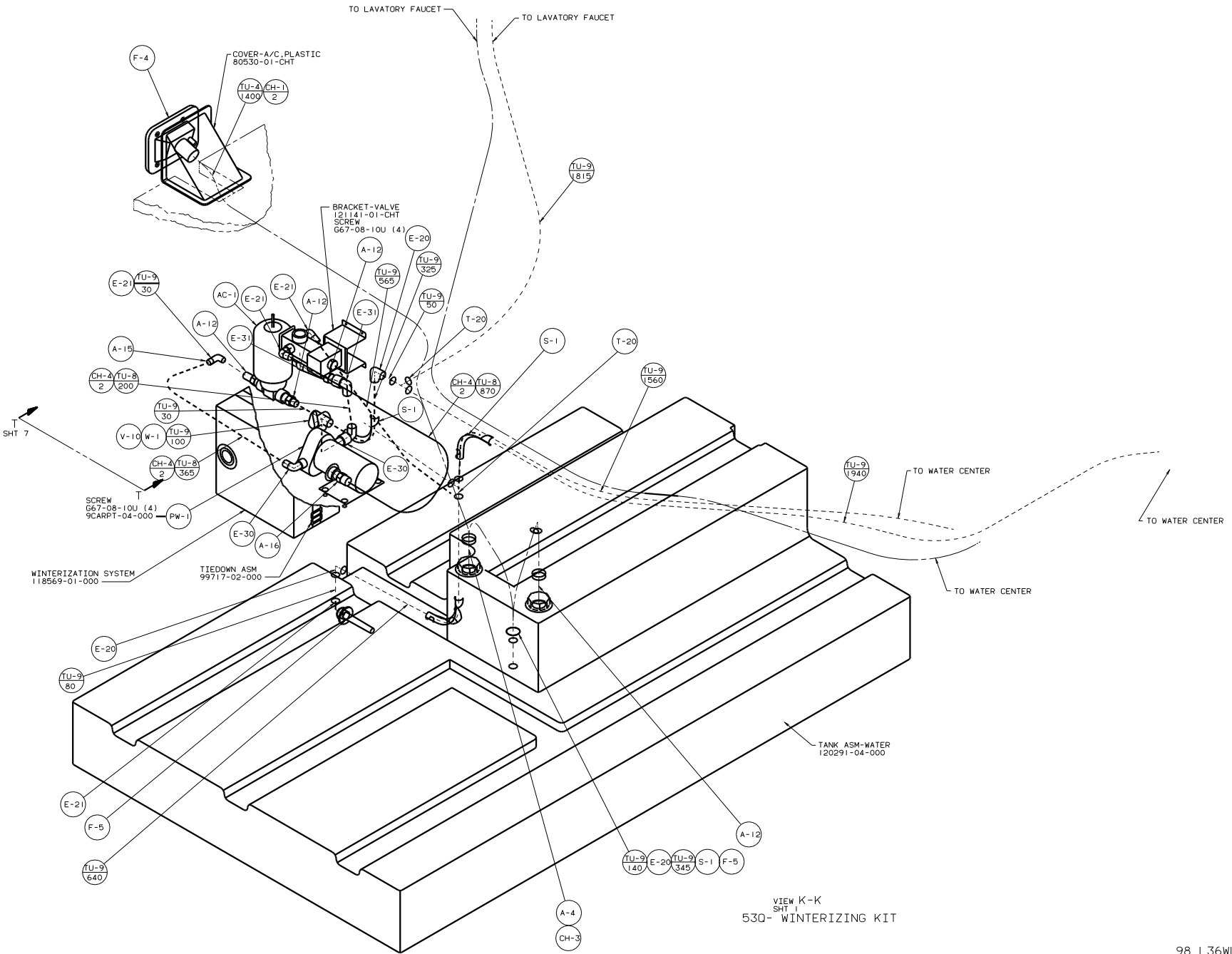
VIEW H-H SHT 1



DETAIL J SHT 1



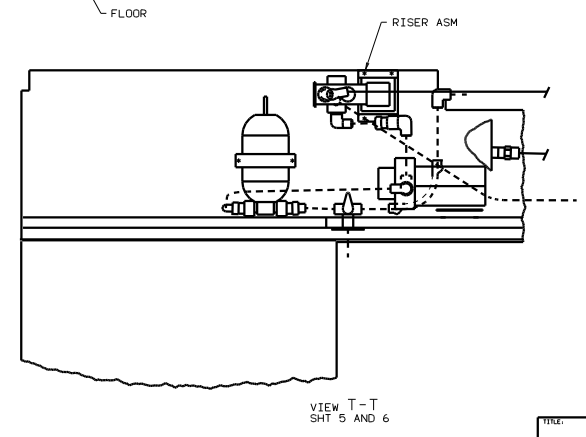
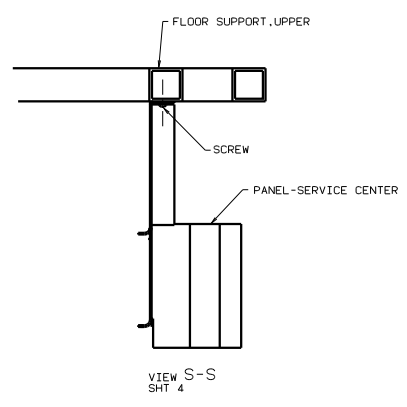
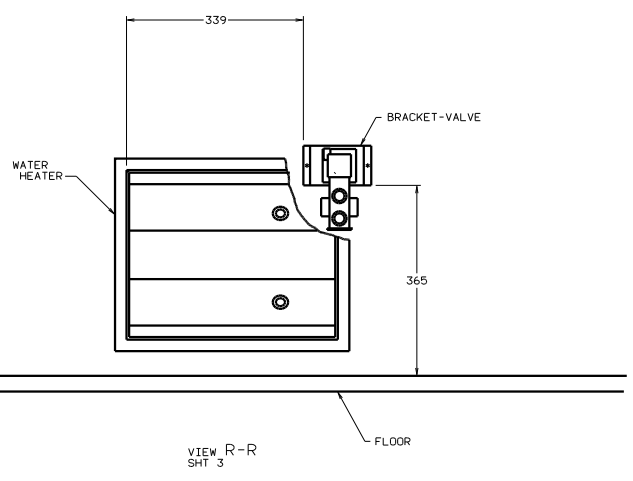
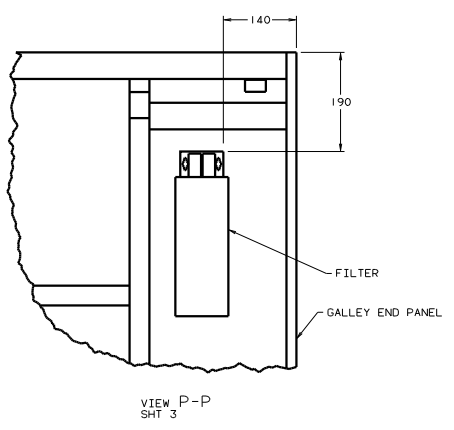
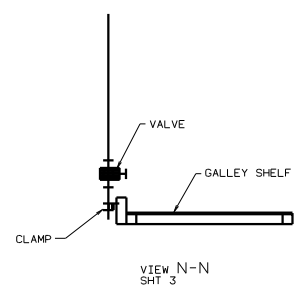
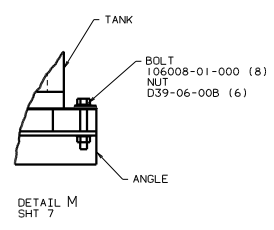
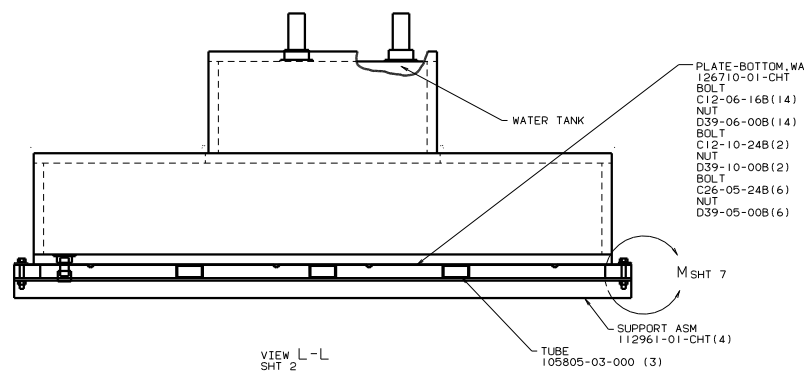
TITLE: WATER SYSTEM INSTL	
NO. OF SHEETS: 7	SHEET NO: 5
DATE: 1/1/00	REV: 1
125997	



VIEW K-K
SHT 1
53Q- WINTERIZING KIT

98 L36WL PUSHER

TITLE: WATER SYSTEM INSTL	
NO. OF SHEETS: 7	SHEET 6 OF 7
REV: 1	DATE: 125997



98 L36WL PUSHER	
TITLE: WATER SYSTEM INSTL	
NO. IN SCALE DRAWING	REV
SHEET 7 OF 7	16
	125997