

- ⑩ TRIM TO FIT.
9. SECURE PIPES TO CABINET USING WIRE TIE 108046-02-000 AND SCREW G67-10-12U (8).
- ⑧ VENT PIPE MUST PROJECT 51 MIN TO 64 MAX ABOVE ROOF FOR PROPER FIT AND FUNCTION.
7. SEE DWG 61607-01-000 FOR INSTL OF GROMMET.
6. SEAL ALL AROUND SHOWER PAN.
5. FOR CANADIAN UNITS EACH HOLDING TANK SHALL HAVE A CSA APPROVAL STAMPED NEAR THE IAPMO APPROVAL.
4. ALL EXTERIOR OPENINGS AROUND PIPE TO BE SEALED WITH 110744-01-000.
3. ALL PIPE AND FITTINGS TO BE ASSEMBLED WITH SOLVENT 4020-01-000.
2. SLOPE OF TRAP MUST BE 6 PER 300 MINIMUM.
1. SLOPE OF HORIZONTAL PIPING TO BE 6 PER 300 MINIMUM.

- ④4E COUNTERTOP-SOLID SURFACE
- ④30 TOILET-PORCELAIN
- ④3M TOILET PORCELAIN-ELONGATE

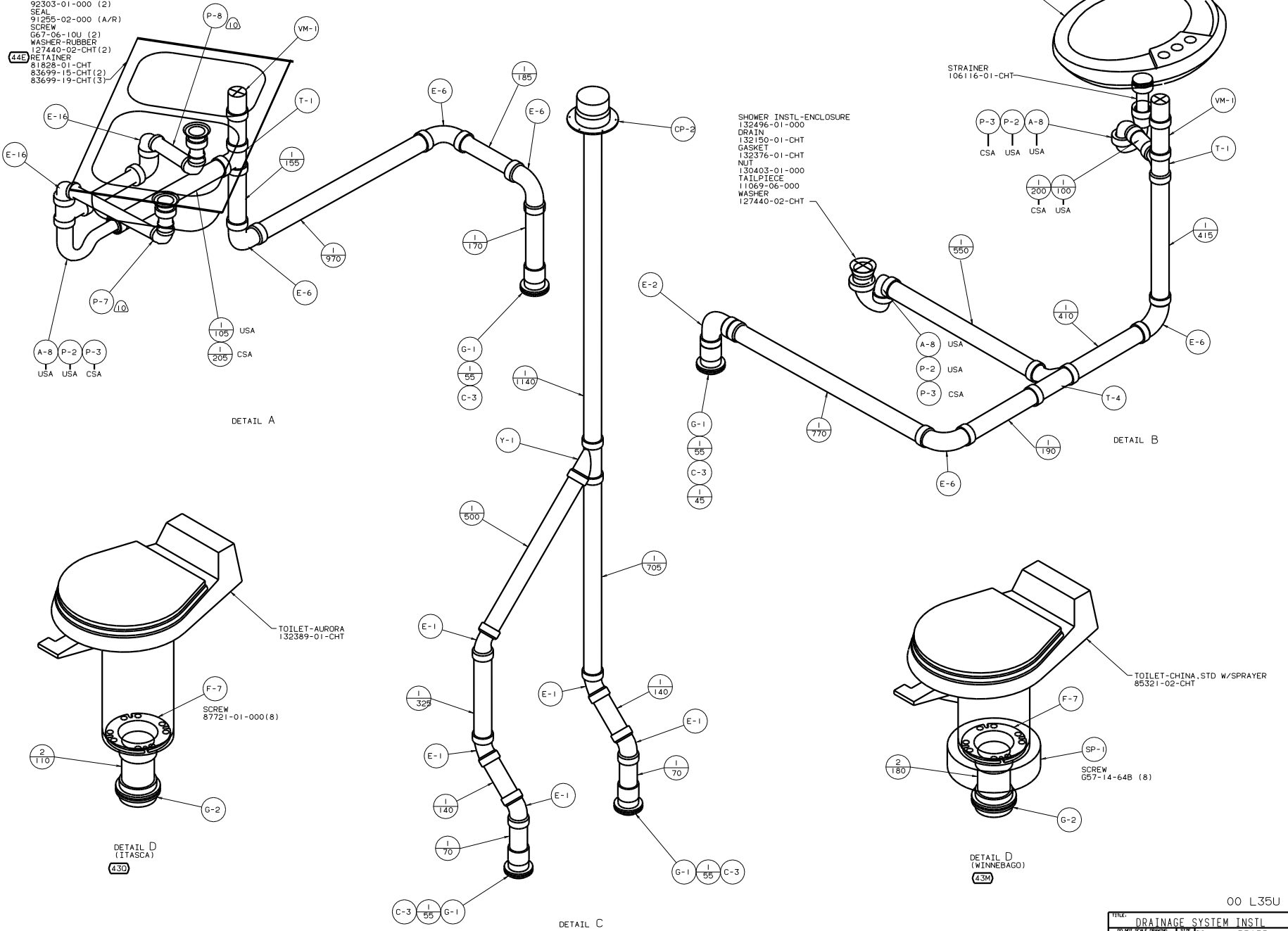
FOR DRAINAGE CALL-OUTS SEE DWG NO. 116229-01-000

WINNEBAGO		00 L35U	
QTY	DATE	UNSPECIFIED TOLERANCES ARE:	MATERIAL
CHP	DATE	WHOLE DIM (IN)	+
PIE	DATE	ONE-PLACE (IN.XI)	+
D/E	DATE	TWO-PLACE (IN.XX)	+
COLR	DATE	THIRD WHOLE INCREMENT	+
DATE	DATE	±	±
LANE#	00AL35U	TITLE	DRAINAGE SYSTEM INSTL
REV #	SCALE	NOTE	DO NOT SCALE DIMENSIONS
ALL DIMENSIONS ARE IN MILLIMETERS	SHEET	1 OF 4	DWG NO. 133635

- SINK-SST,DOUBLE
- 1 10654-01-000 (US/CAN)
- STRAINER
- 92303-01-000 (2)
- SEAL
- 9 1255-02-000 (A/R)
- SCREW
- G67-06-10U (2)
- WASHER-RUBBER
- 127440-02-CHT(2)
- 44E RETAINER
- 81828-01-CHT
- 83699-15-CHT(2)
- 83699-19-CHT(3)

- SINK-LAVATORY
- 105921-01-CHT
- SEAL
- 91255-02-000 (A/R)

- SHOWER INSTL-ENCLOSURE
- 132496-01-000
- DRAIN
- 132150-01-CHT
- GASKET
- 132376-01-CHT
- NUT
- 130403-01-000
- TAILPIECE
- 11069-06-000
- WASHER
- 127440-02-CHT



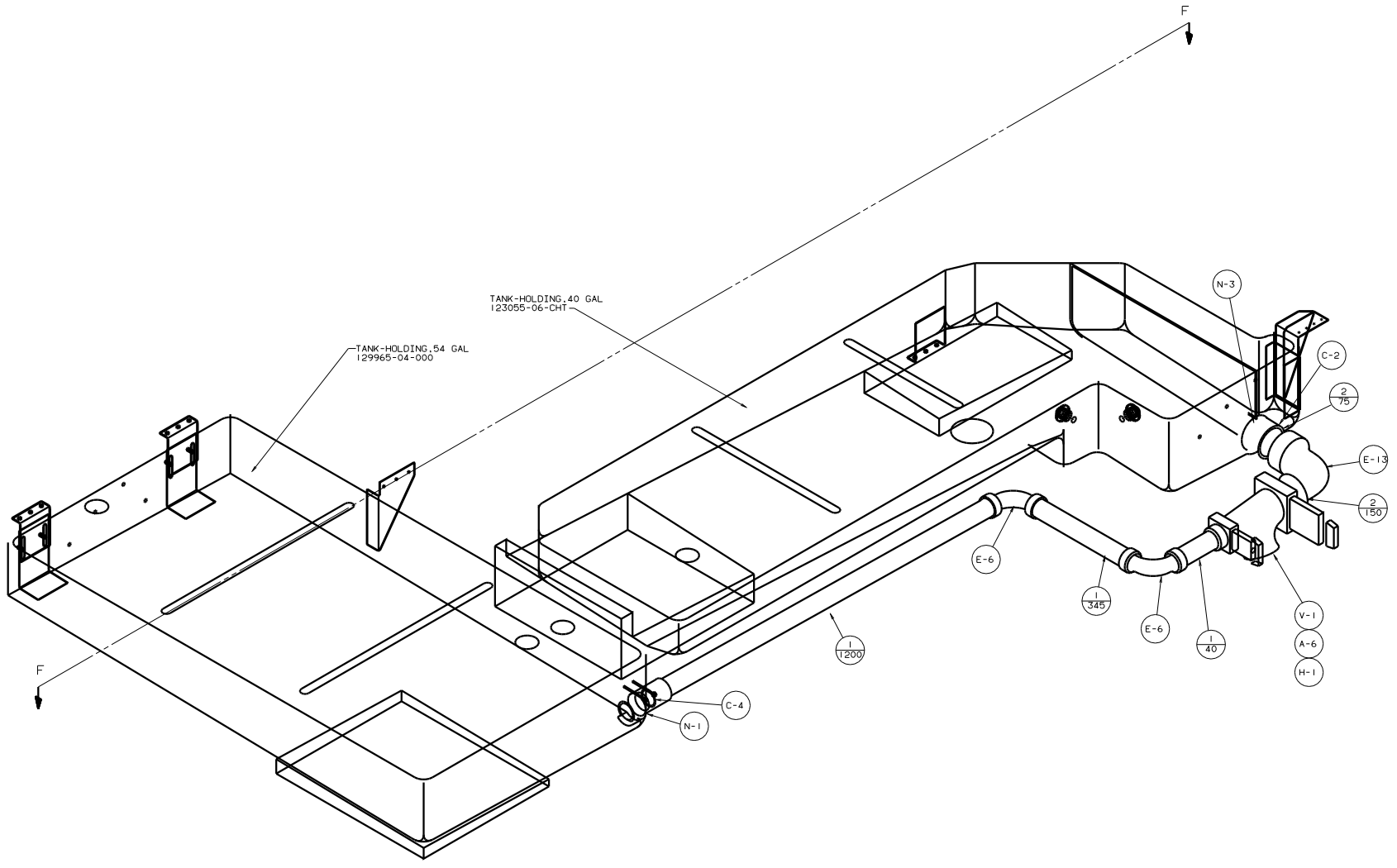
DETAIL A

DETAIL B

DETAIL C

DETAIL D (WINNEBAGO)

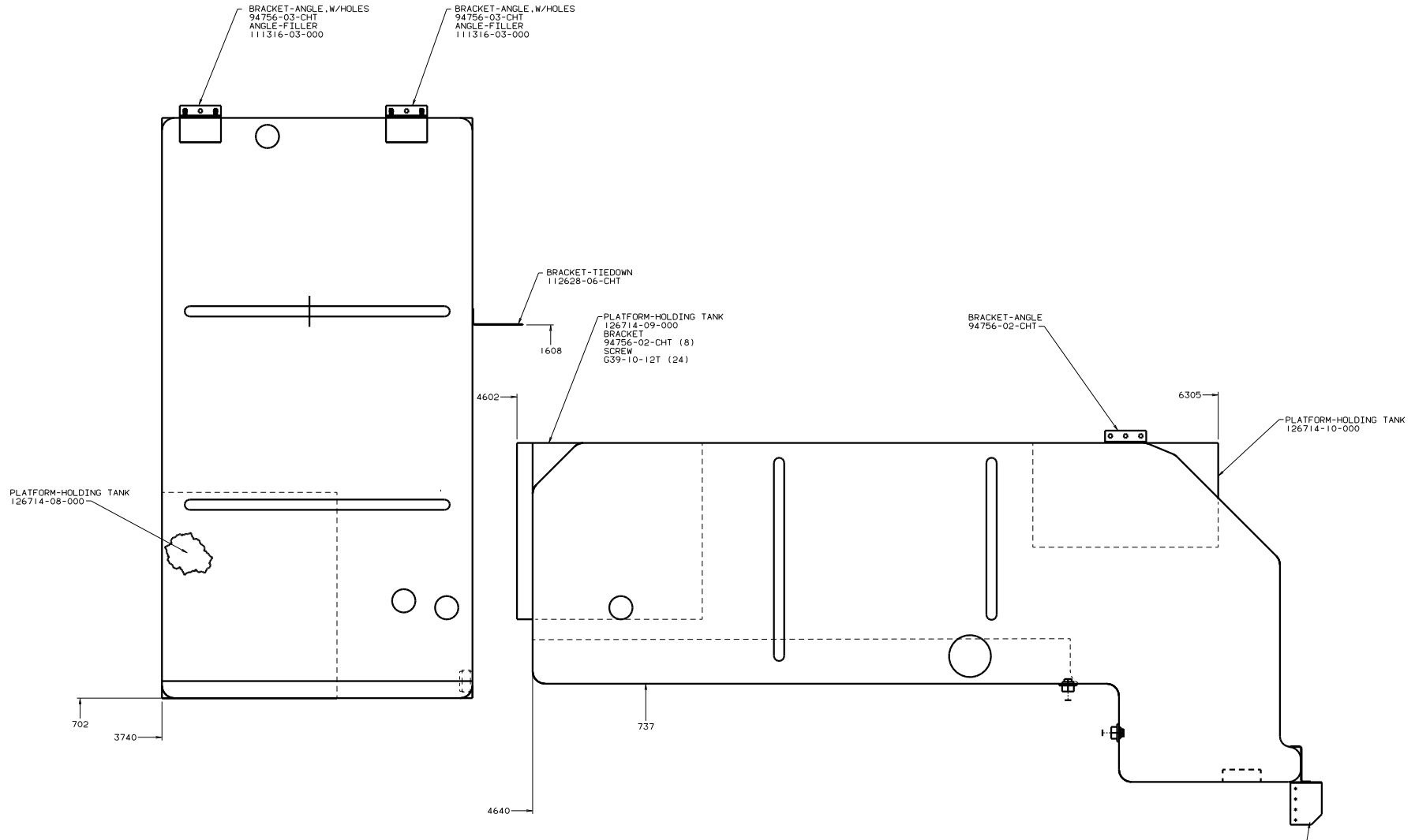
DETAIL D (ITASCA)



DETAIL E

00 L35U

TITLE: DRAINAGE SYSTEM INSTL		DWG NO: 133635	
DATE: 05/01/05	BY: J.E.	DATE: 05/01/05	BY: J.E.
SHEET 3 OF 4		133635	



VIEW F-F

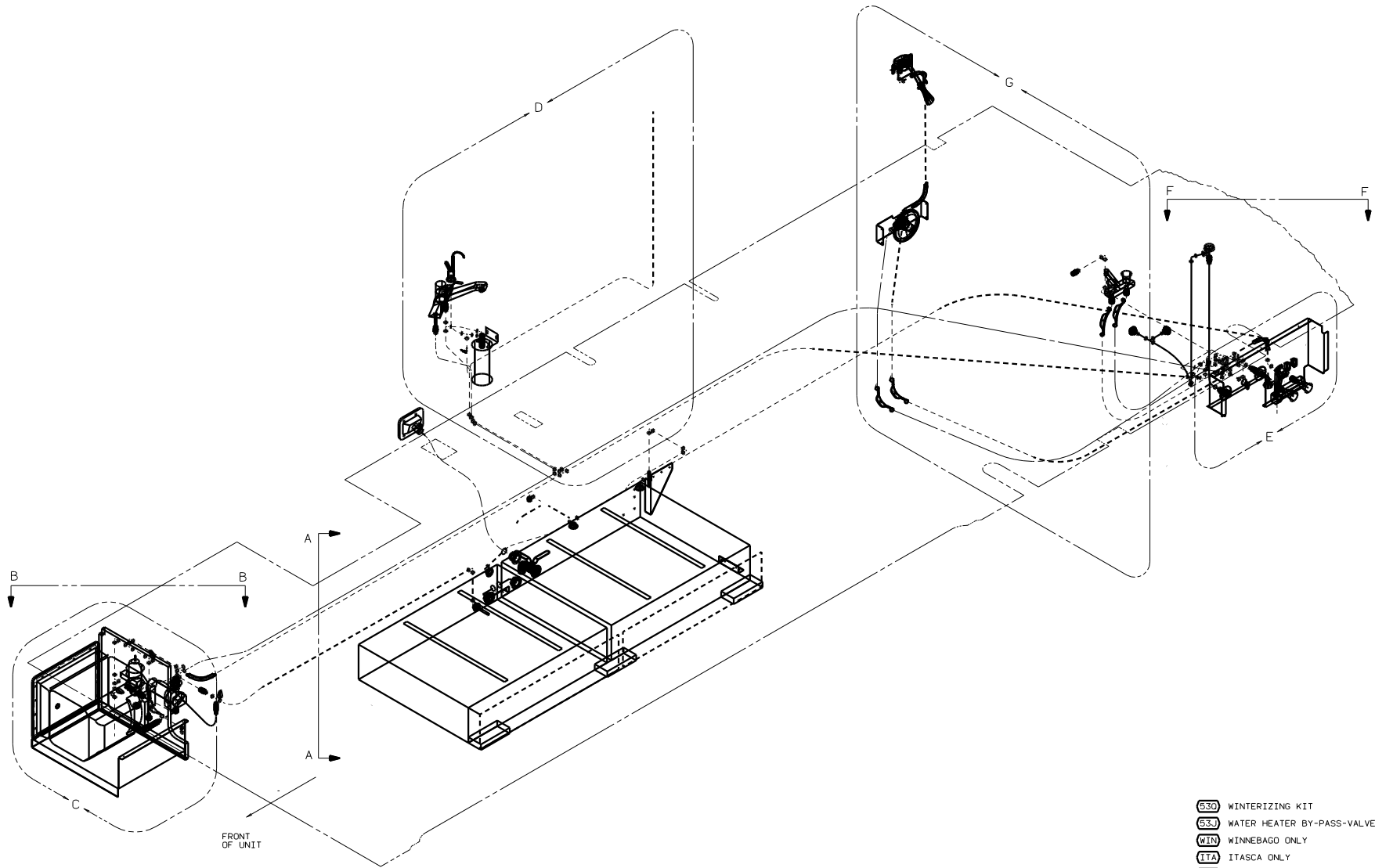
1. ALL DIMENSIONS ARE FROM FRONT AND LEFT SIDE OF UPPER FLOOR (700.1222 FROM CENTERLINE FRONT AXLE.)

NOTES:

00 L35U

TITLE: DRAINAGE SYSTEM INSL	
30 001 0000 0000	1.0
SHEET 4 of 4	133635

DWG NO	--
133636-01	(WTR)
133636-02	(ITA)



- 5) USE DETAIL "J" IN THIS AREA (BOTH ENDS OF TUBING).
 4) FLUSHING SYSTEM REQUIRES 125697-06-000 INSTRUCTION SHEET.
 3. ALL TUBING TO BE SECURED AT 1200 INTERVALS MAX WITH CLAMP 10495-01-000 OR CLIP 91951-01-000 AND SCREW G67-10-12B.
 2. TUBING TO BE INSTALLED WITH SUFFICIENT SLOPE TO PROVIDE DRAINAGE TO THE NEAREST VALVE.
 1. PLASTIC FITTINGS TO BE SEALED WITH SEALANT 84456-01-000.

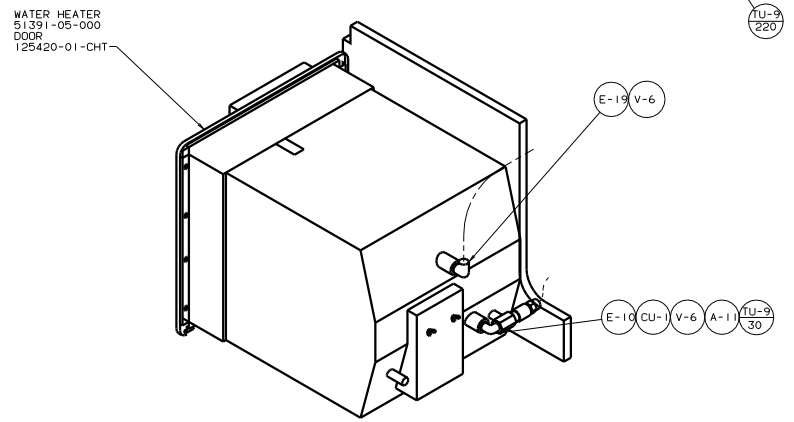
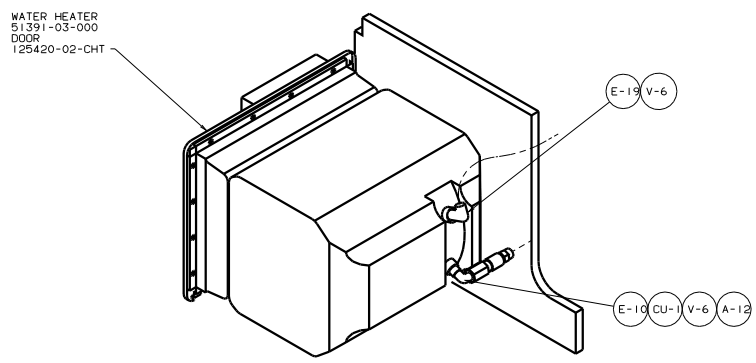
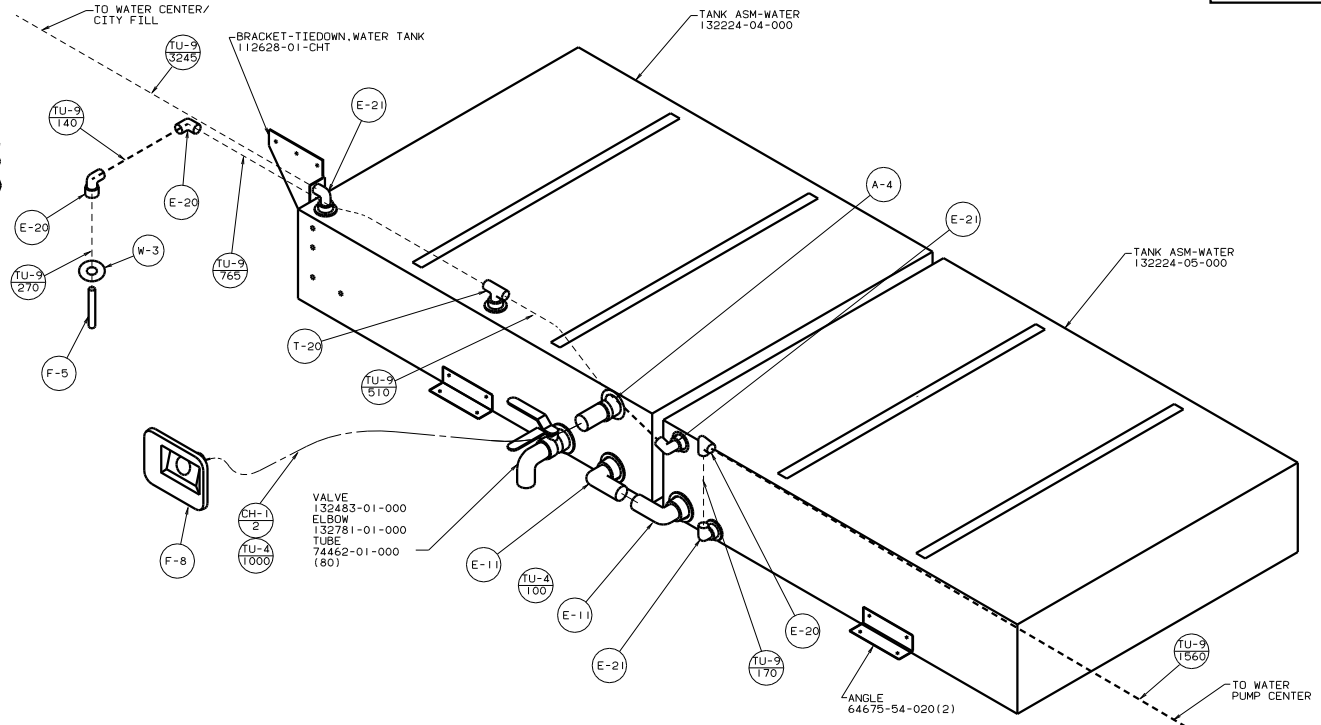
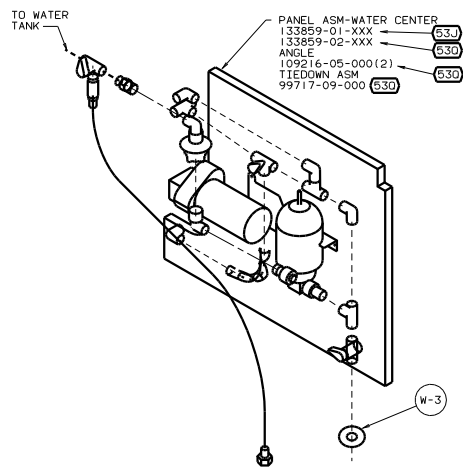
(X-X) FOR WATER CALLOUTS SEE DWG NO. 116230-01-000

- 530 WINTERIZING KIT
- 531 WATER HEATER BY-PASS-VALVE
- WIN WINNEBAGO ONLY
- ITA ITASCA ONLY
- 53F WATER HEATER-ELEC. IGNITION
- 29B WATER PURIFIER
- 15U REFRIGERATOR/FRZR W/ICEMAKER
- 1B2 WTR HTR-10GAL/ELEC/LP/MTRAD

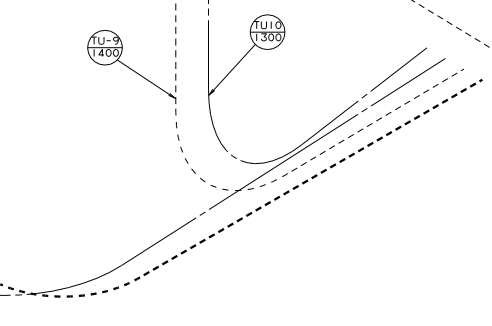
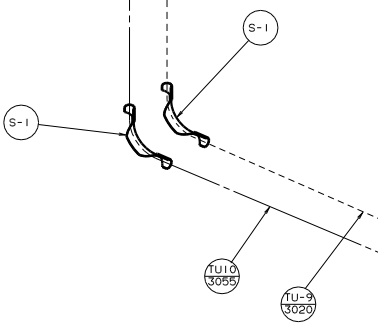
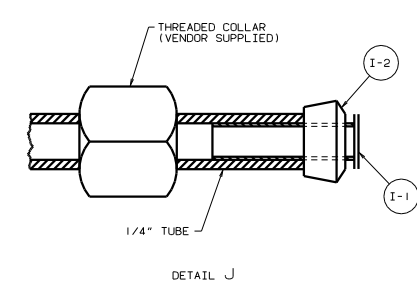
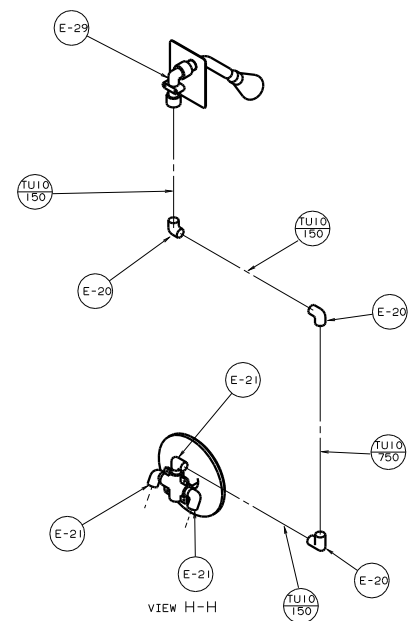
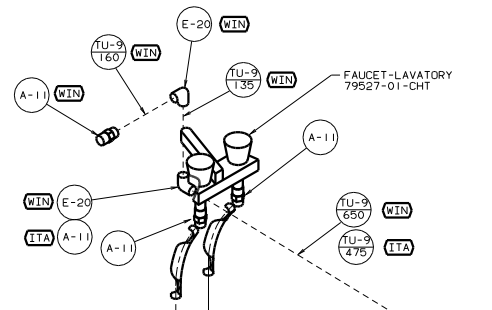
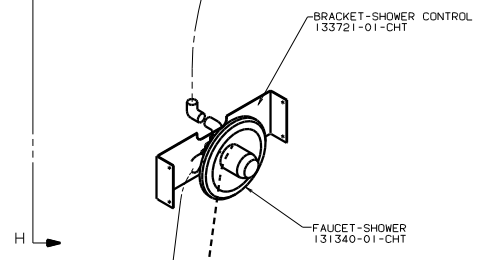
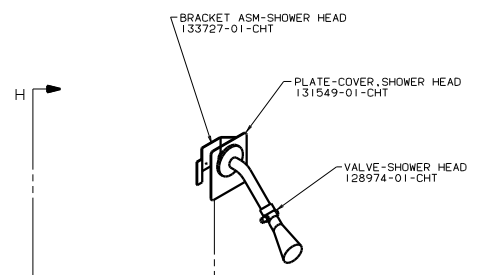
LEGEND	
HOT	●●●●●
COLD	●●●●●

WINNEBAGO		OO L35U
DATE	UNSPECIFIED TOLERANCES ARE:	MATERIAL
DATE	WHOLE DIM (IN)	F
DATE	ONE-PLACE (IN.XX)	F
DATE	TWO-PLACE (IN.XXX)	F
DATE	THREE-PLACE (IN.XXXX)	F
DATE	ANGLE	F
DATE	ROUND W/ANGLE	F
DATE	PROJECTION	F
DATE	PROJECTION	F

PART NO. 00AG35U TITLE: WATER SYSTEM INSTL
 DIA # SCALE: NONE 2D-SEE SCALE DRAWING SHEET 1 OF 4
 ALL DIMENSIONS ARE IN MILLIMETERS SHEET 1 OF 4 1.6 133636



H
G
F
E
D
C
B
A



DETAIL G

TITLE		WATER SYSTEM INSTL	
NO. OF SHEETS	4	NO. OF SHEETS	4
SHEET NO.	4	SHEET NO.	4
REV.		REV.	
133636		133636	