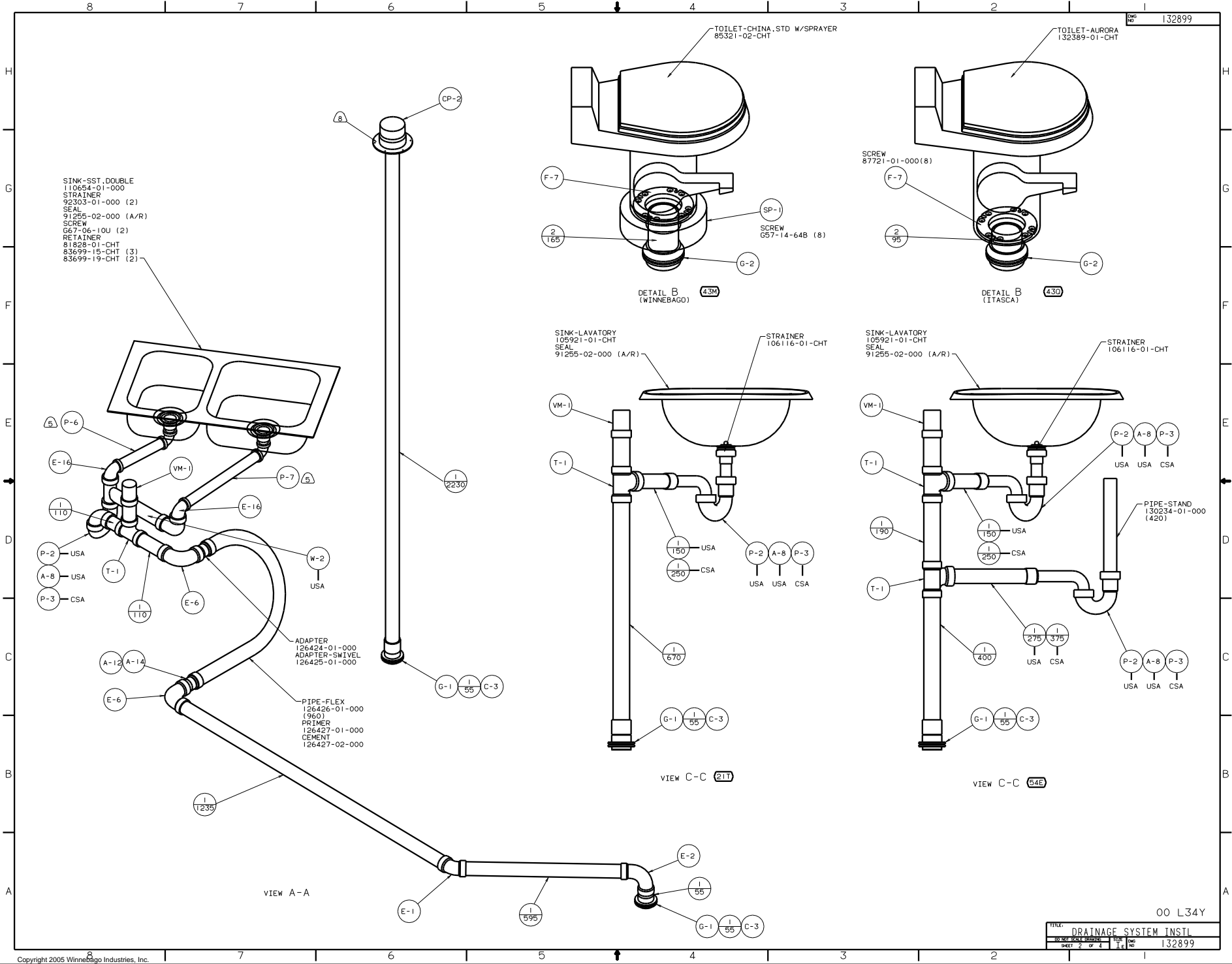


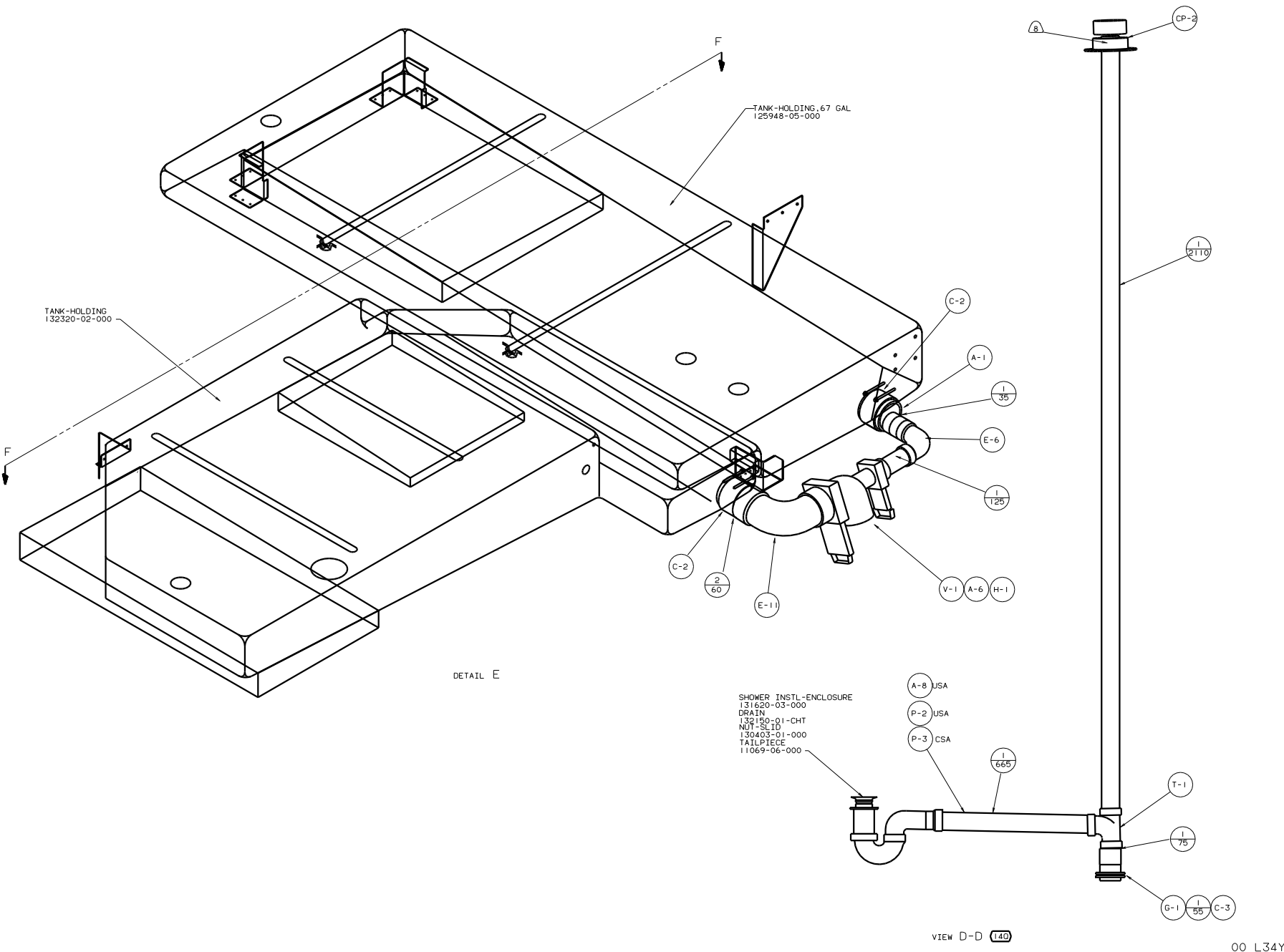
- 1. SECURE VENT TUBES TO FLOOR WITH BRACKET 95061-01-000 (2) CLAMP 62401-02-000, SCREW G67-10-12B (2).
- 10. TRIM TO FIT.
- 9. SECURE PIPES TO CABINET USING WIRE TIE 108046-02-000 AND SCREW G67-10-12U (8).
- 8. VENT PIPE MUST PROJECT 51 MIN TO 64 MAX ABOVE ROOF FOR PROPER FIT AND FUNCTION.
- 7. SEE DWG 61607-01-000 FOR INSTL OF GROMMET.
- 6. SEAL ALL AROUND SHOWER PAN.
- 5. TRIM TO FIT.
- 4. ALL EXTERIOR OPENINGS AROUND PIPE TO BE SEALED WITH 110744-01-000.
- 3. ALL PIPE AND FITTINGS TO BE ASSEMBLED WITH SOLVENT 4020-01-000.
- 2. SLOPE OF TRAP MUST BE 6 PER 300 MINIMUM.
- 1. SLOPE OF HORIZONTAL PIPING TO BE 6 PER 300 MINIMUM.

- 430 TOILET-PORCELAIN
- 43M TOILET PORCELAIN-ELONGATE
- 21T WASHER/DRYER-WITHOUT
- 14D SHOWER PACKAGE
- 54E WASHER/DRYER

FOR DRAINAGE CALLOUTS SEE DWG NO. 116229-01-000

<b>WINNEBAGO</b> OO L34Y	
DATE	UNSPECIFIED TOLERANCES ARE:
DATE	WHOLE DIM (IN) . . . . .
DATE	ONE-PLACE (IN) . . . . .
DATE	TWO-PLACE (IN) . . . . .
DATE	THREE-PLACE (IN) . . . . .
DATE	FOUR-PLACE (IN) . . . . .
DATE	FIVE-PLACE (IN) . . . . .
DATE	SIX-PLACE (IN) . . . . .
DATE	SEVEN-PLACE (IN) . . . . .
DATE	EIGHT-PLACE (IN) . . . . .
DATE	NINE-PLACE (IN) . . . . .
DATE	TEN-PLACE (IN) . . . . .
DATE	ELEVEN-PLACE (IN) . . . . .
DATE	TWELVE-PLACE (IN) . . . . .
DATE	THIRTEEN-PLACE (IN) . . . . .
DATE	FOURTEEN-PLACE (IN) . . . . .
DATE	FIFTEEN-PLACE (IN) . . . . .
DATE	SIXTEEN-PLACE (IN) . . . . .
DATE	SEVENTEEN-PLACE (IN) . . . . .
DATE	EIGHTEEN-PLACE (IN) . . . . .
DATE	NINETEEN-PLACE (IN) . . . . .
DATE	TWENTY-PLACE (IN) . . . . .
DATE	TWENTY-ONE PLACE (IN) . . . . .
DATE	TWENTY-TWO PLACE (IN) . . . . .
DATE	TWENTY-THREE PLACE (IN) . . . . .
DATE	TWENTY-FOUR PLACE (IN) . . . . .
DATE	TWENTY-FIVE PLACE (IN) . . . . .
DATE	TWENTY-SIX PLACE (IN) . . . . .
DATE	TWENTY-SEVEN PLACE (IN) . . . . .
DATE	TWENTY-EIGHT PLACE (IN) . . . . .
DATE	TWENTY-NINE PLACE (IN) . . . . .
DATE	THIRTY PLACE (IN) . . . . .
DATE	THIRTY-ONE PLACE (IN) . . . . .
DATE	THIRTY-TWO PLACE (IN) . . . . .
DATE	THIRTY-THREE PLACE (IN) . . . . .
DATE	THIRTY-FOUR PLACE (IN) . . . . .
DATE	THIRTY-FIVE PLACE (IN) . . . . .
DATE	THIRTY-SIX PLACE (IN) . . . . .
DATE	THIRTY-SEVEN PLACE (IN) . . . . .
DATE	THIRTY-EIGHT PLACE (IN) . . . . .
DATE	THIRTY-NINE PLACE (IN) . . . . .
DATE	FOURTY PLACE (IN) . . . . .
DATE	FOURTY-ONE PLACE (IN) . . . . .
DATE	FOURTY-TWO PLACE (IN) . . . . .
DATE	FOURTY-THREE PLACE (IN) . . . . .
DATE	FOURTY-FOUR PLACE (IN) . . . . .
DATE	FOURTY-FIVE PLACE (IN) . . . . .
DATE	FOURTY-SIX PLACE (IN) . . . . .
DATE	FOURTY-SEVEN PLACE (IN) . . . . .
DATE	FOURTY-EIGHT PLACE (IN) . . . . .
DATE	FOURTY-NINE PLACE (IN) . . . . .
DATE	FIFTY PLACE (IN) . . . . .
DATE	FIFTY-ONE PLACE (IN) . . . . .
DATE	FIFTY-TWO PLACE (IN) . . . . .
DATE	FIFTY-THREE PLACE (IN) . . . . .
DATE	FIFTY-FOUR PLACE (IN) . . . . .
DATE	FIFTY-FIVE PLACE (IN) . . . . .
DATE	FIFTY-SIX PLACE (IN) . . . . .
DATE	FIFTY-SEVEN PLACE (IN) . . . . .
DATE	FIFTY-EIGHT PLACE (IN) . . . . .
DATE	FIFTY-NINE PLACE (IN) . . . . .
DATE	SIXTY PLACE (IN) . . . . .
DATE	SIXTY-ONE PLACE (IN) . . . . .
DATE	SIXTY-TWO PLACE (IN) . . . . .
DATE	SIXTY-THREE PLACE (IN) . . . . .
DATE	SIXTY-FOUR PLACE (IN) . . . . .
DATE	SIXTY-FIVE PLACE (IN) . . . . .
DATE	SIXTY-SIX PLACE (IN) . . . . .
DATE	SIXTY-SEVEN PLACE (IN) . . . . .
DATE	SIXTY-EIGHT PLACE (IN) . . . . .
DATE	SIXTY-NINE PLACE (IN) . . . . .
DATE	SEVENTY PLACE (IN) . . . . .
DATE	SEVENTY-ONE PLACE (IN) . . . . .
DATE	SEVENTY-TWO PLACE (IN) . . . . .
DATE	SEVENTY-THREE PLACE (IN) . . . . .
DATE	SEVENTY-FOUR PLACE (IN) . . . . .
DATE	SEVENTY-FIVE PLACE (IN) . . . . .
DATE	SEVENTY-SIX PLACE (IN) . . . . .
DATE	SEVENTY-SEVEN PLACE (IN) . . . . .
DATE	SEVENTY-EIGHT PLACE (IN) . . . . .
DATE	SEVENTY-NINE PLACE (IN) . . . . .
DATE	EIGHTY PLACE (IN) . . . . .
DATE	EIGHTY-ONE PLACE (IN) . . . . .
DATE	EIGHTY-TWO PLACE (IN) . . . . .
DATE	EIGHTY-THREE PLACE (IN) . . . . .
DATE	EIGHTY-FOUR PLACE (IN) . . . . .
DATE	EIGHTY-FIVE PLACE (IN) . . . . .
DATE	EIGHTY-SIX PLACE (IN) . . . . .
DATE	EIGHTY-SEVEN PLACE (IN) . . . . .
DATE	EIGHTY-EIGHT PLACE (IN) . . . . .
DATE	EIGHTY-NINE PLACE (IN) . . . . .
DATE	NINETY PLACE (IN) . . . . .
DATE	NINETY-ONE PLACE (IN) . . . . .
DATE	NINETY-TWO PLACE (IN) . . . . .
DATE	NINETY-THREE PLACE (IN) . . . . .
DATE	NINETY-FOUR PLACE (IN) . . . . .
DATE	NINETY-FIVE PLACE (IN) . . . . .
DATE	NINETY-SIX PLACE (IN) . . . . .
DATE	NINETY-SEVEN PLACE (IN) . . . . .
DATE	NINETY-EIGHT PLACE (IN) . . . . .
DATE	NINETY-NINE PLACE (IN) . . . . .
DATE	HUNDRED PLACE (IN) . . . . .





DETAIL E

SHOWER INSTL-ENCLOSURE  
 131620-03-000  
 DRAIN  
 132150-01-CHT  
 NUT-SLID  
 130403-01-000  
 TAILPIECE  
 11069-06-000

VIEW D-D (140)

00 L34Y

TITLE: DRAINAGE SYSTEM INSTL	
NO. OF SHEETS: 4	SHEET NO. 3
DATE: 1/85	FIG. NO. 132899

PLATFORM-HOLDING TANK  
126714-01-000

BRACKET-TIEDOWN, HOLDING TANK  
126846-01-CHT

PLATFORM-HOLDING TANK  
126714-03-000

BRACKET-HOLDING TANK  
126796-01-CHT

PLATFORM-HOLDING TANK  
126714-02-000

BRACKET-HOLDING TANK  
126796-02-CHT

4058

5036

4008

648

388

5349

BRACKET-TIEDOWN  
112628-01-CHT

BRACKET-HOLDING TANK  
127032-01-CHT

VIEW F-F

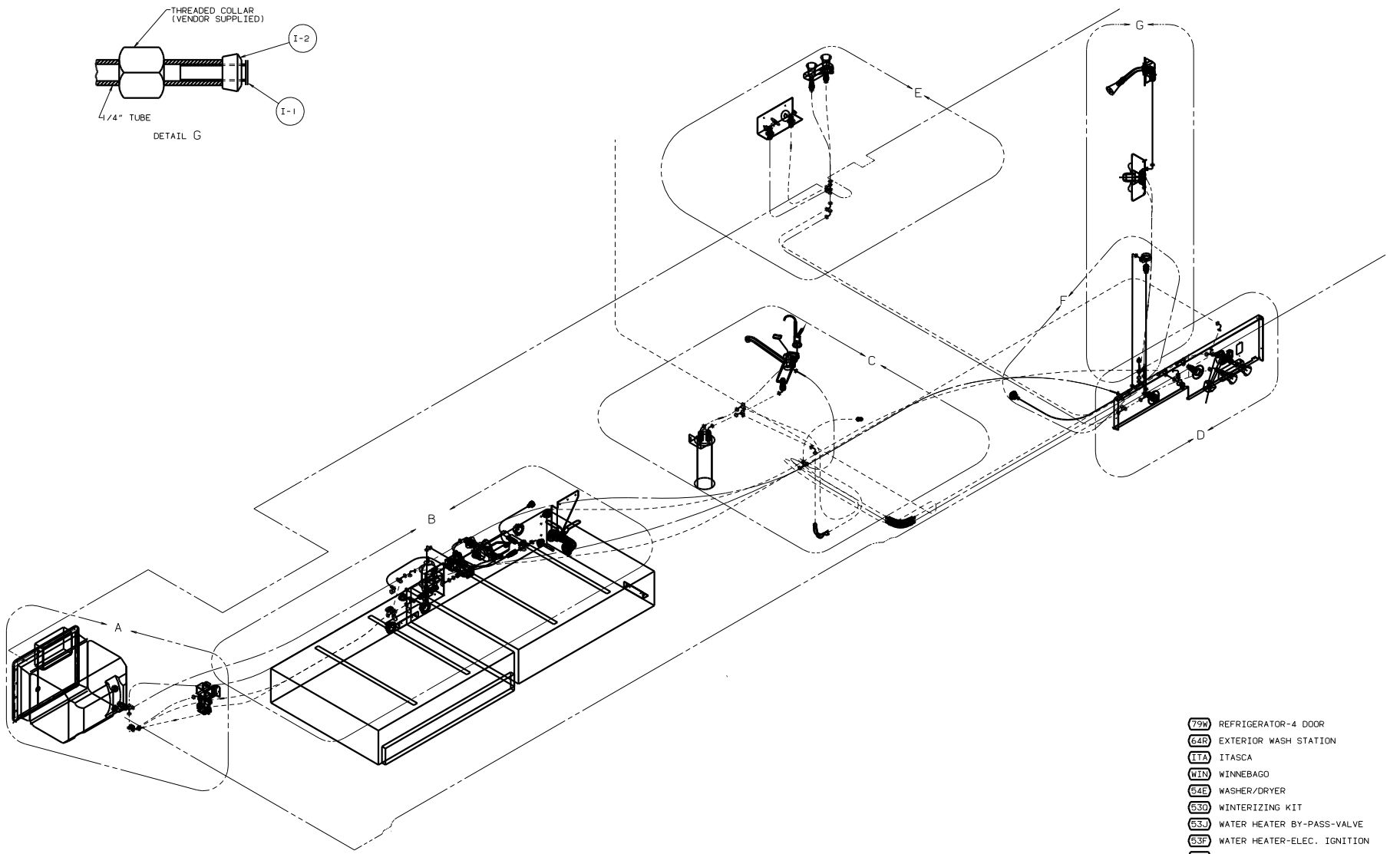
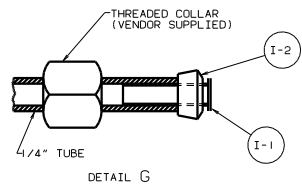
00 L34Y

TITLE: DRAINAGE SYSTEM INSTL	
NO. OF SHEETS: 4	SHEET: 4 OF 4
REV. NO. 1	DATE
132899	

DWG NO  
133042-01  
133042-02

WIN  
ITA

RELEASE A1 DATE 11/11/01 DWG NO 133042  
REV. DATE REVISION RECORD DATE BY:GIB



- (79W) REFRIGERATOR-4 DOOR
- (64R) EXTERIOR WASH STATION
- (ITA) ITASCA
- (WIN) WINNEBAGO
- (54E) WASHER/DRYER
- (530) WINTERIZING KIT
- (53U) WATER HEATER BY-PASS-VALVE
- (53F) WATER HEATER-ELEC. IGNITION
- (15U) REFRIGERATOR/FRZR W/ICEMAKER
- (1B2) WTR HTR-10GAL/ELEC/LP/MTRAIID

3. ALL TUBING TO BE SECURED AT 1200 INTERVALS MAXIMUM WITH CLAMP 10495-01-000 OR CLIP 91951-01-00 AND SCREW G67-10-12B.

2. TUBING TO BE INSTALLED WITH SUFFICIENT SLOPE TO PROVIDE DRAINAGE TO NEAREST VALVE.

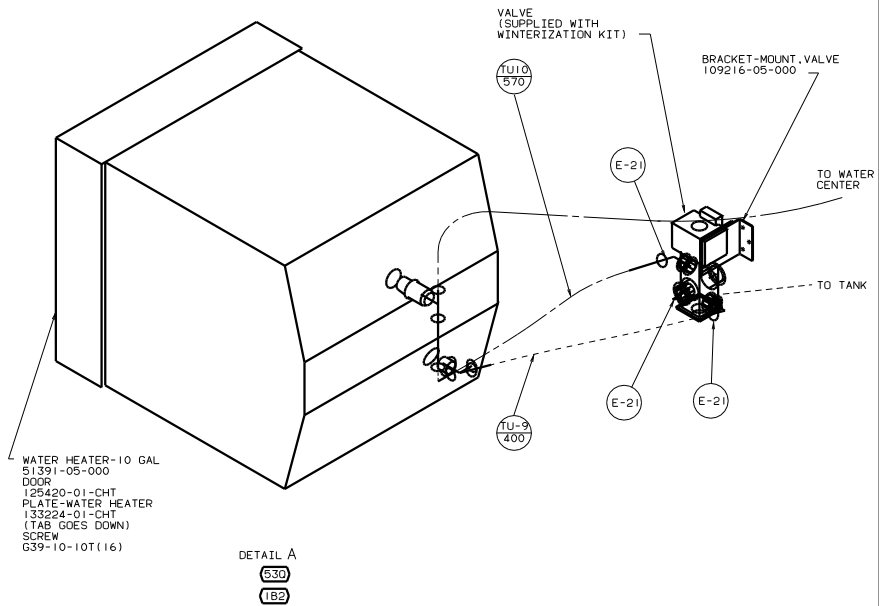
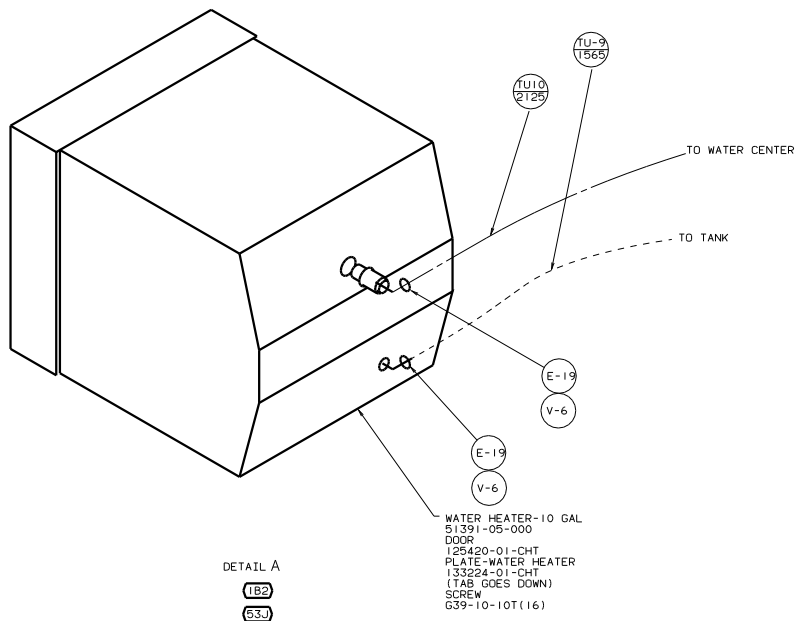
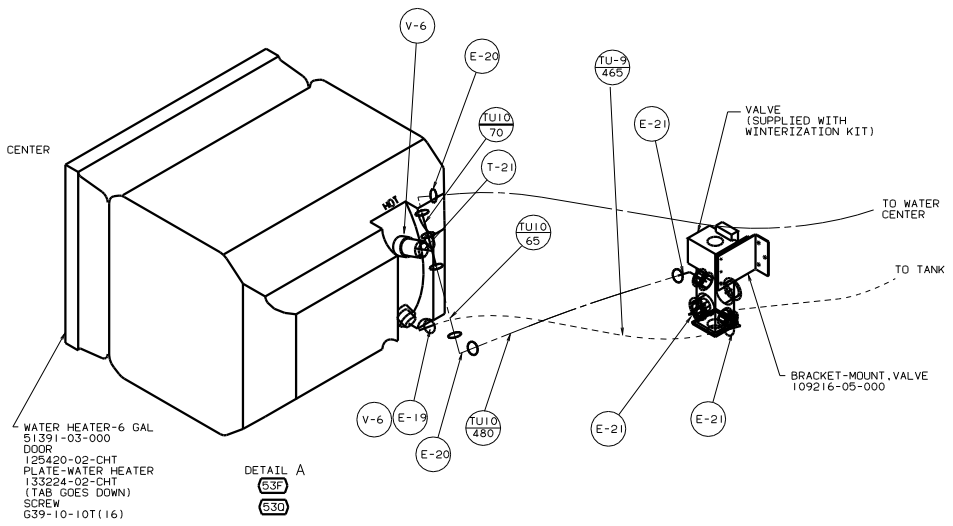
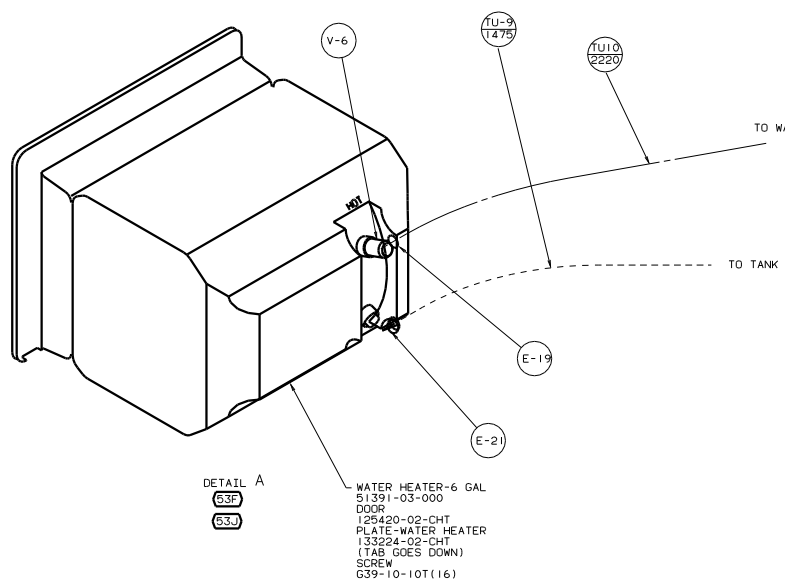
1. PLASTIC FITTINGS TO BE SEALED WITH SEALANT 84456-01-000.

- (6) FLUSHING SYSTEM REQUIRES 125697-06-000 INSTL. SHEET.
- (5) USE DETAIL "G" IN THIS AREA.
- (4) CLAMPS MUST BE ON BARBS.

LEGEND		DATE		UNDESIGNED TOLERANCES ARE:	
HOT	-----	DRAWN	DATE	WHOLE DIM (IN)	MATERIAL:
COLD	-----	CHECKED	DATE	ONE-PLACE (IN, IN)	
		DATE		TWO-PLACE (IN, IN)	
		DATE		THREE-PLACE (IN, IN)	
		DATE		FOUR-PLACE (IN, IN)	
		DATE		FIVE-PLACE (IN, IN)	
		DATE		SIX-PLACE (IN, IN)	
		DATE		SEVEN-PLACE (IN, IN)	
		DATE		EIGHT-PLACE (IN, IN)	
		DATE		NINE-PLACE (IN, IN)	
		DATE		TEN-PLACE (IN, IN)	

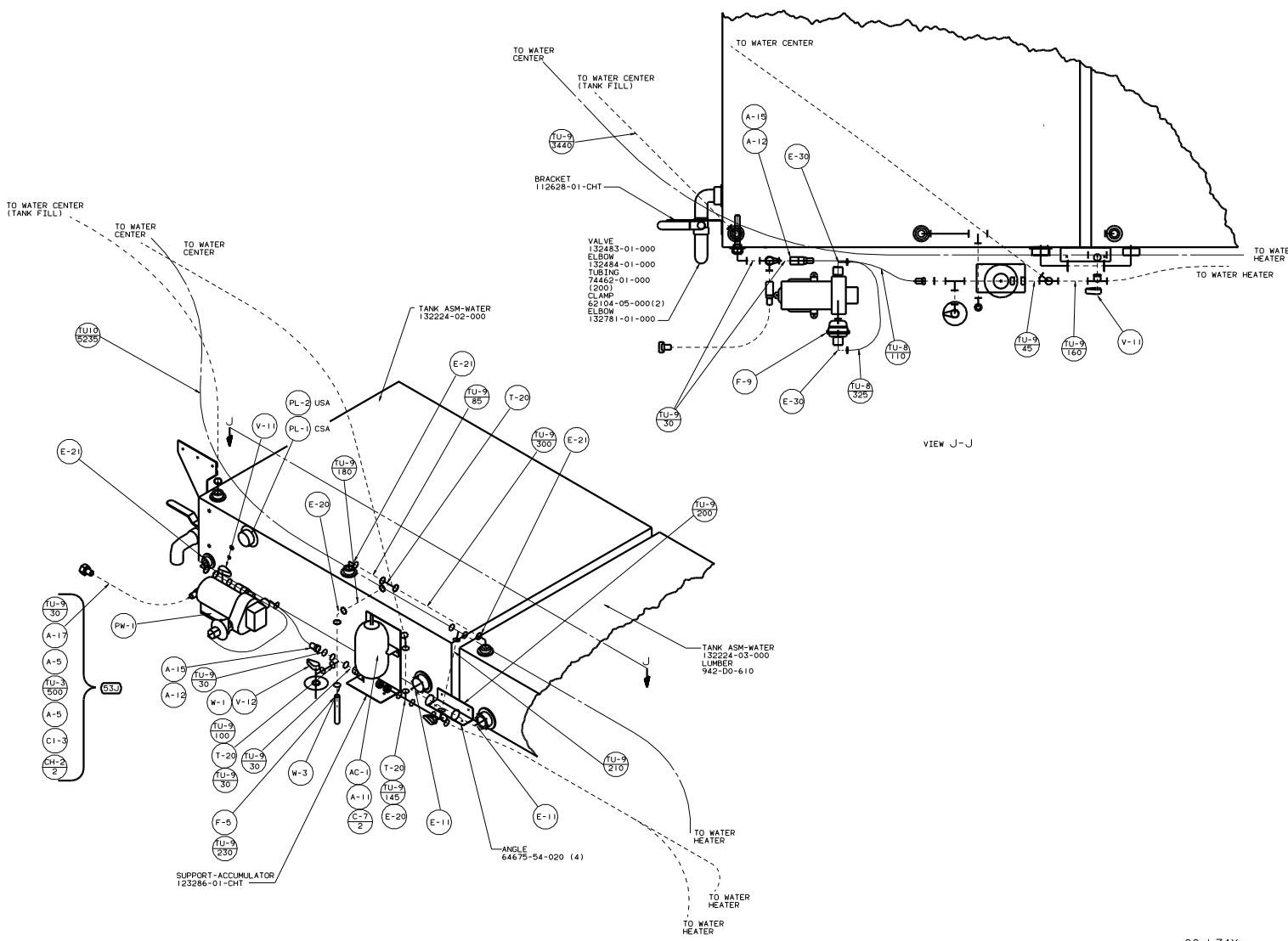
  

FOR WATER CALLOUTS SEE DWG NO. 116230-01-000		TITLE: WATER SYSTEM INSTL	
L34Y	SCALE: NONE	SHEET 7	OF 7
NO. 133042	REV. NO. 1	DATE 11/11/01	BY: GIB



00 L34Y

TITLE		WATER SYSTEM INSTL	
NO. OF SHEETS	2 OF 7	REV	1.0
SHEET		133042	

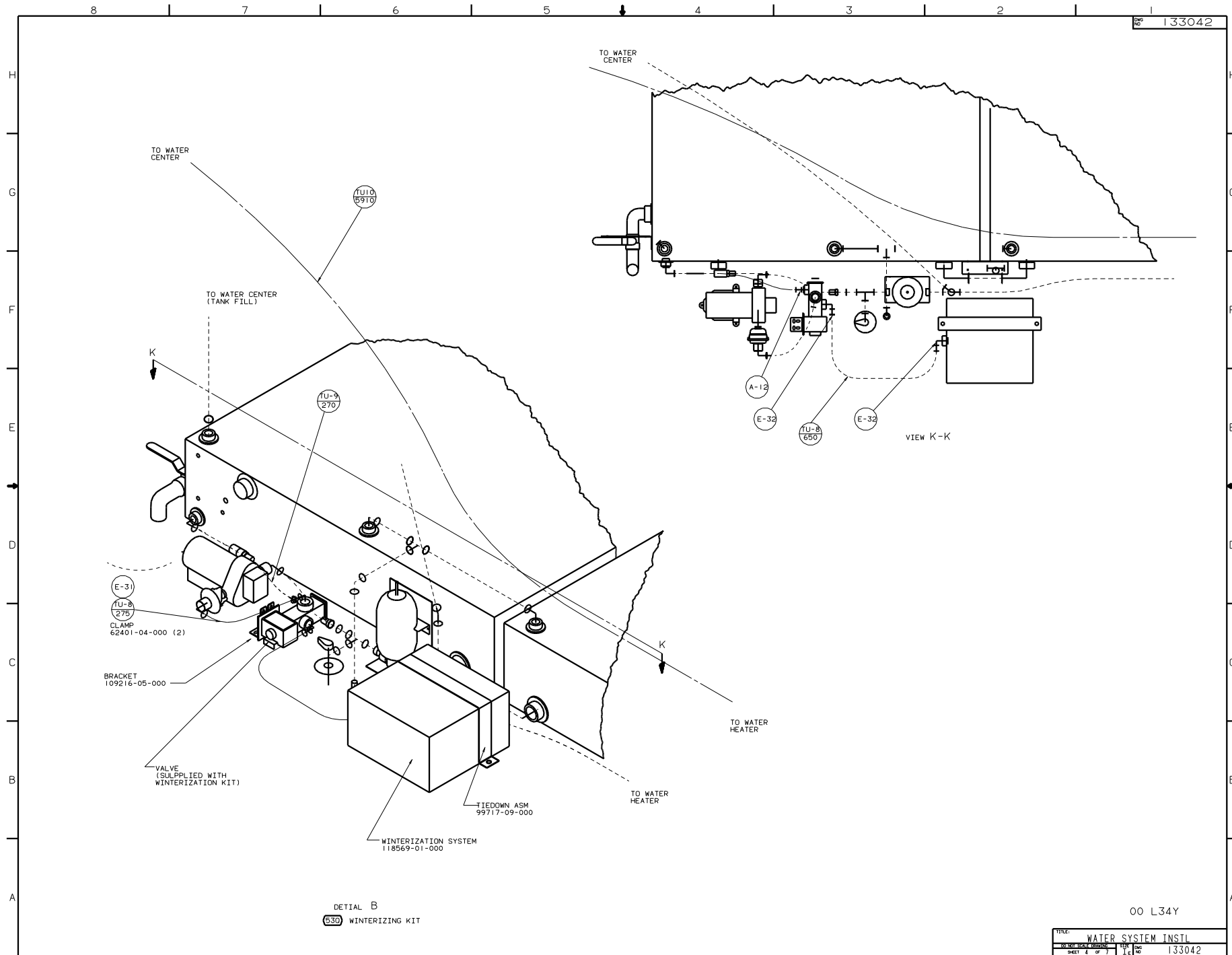


VIEW J-J

DETAIL B

OO L34Y

DATE	WATER SYSTEM INSTL
REVISION	
SHEET	3 OF 4
133042	

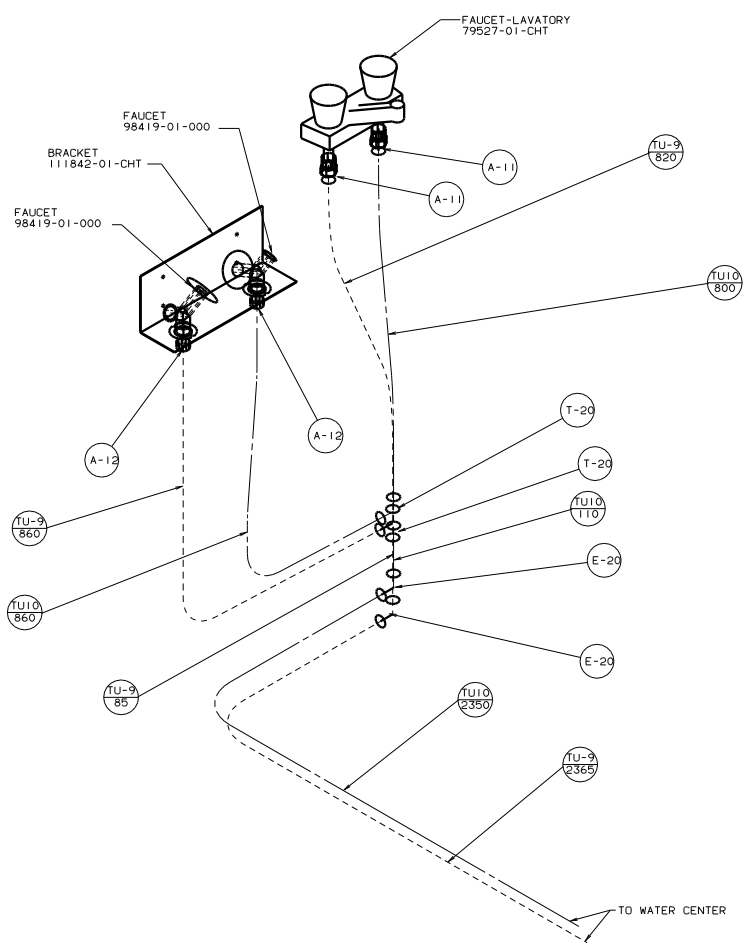


00 L34Y

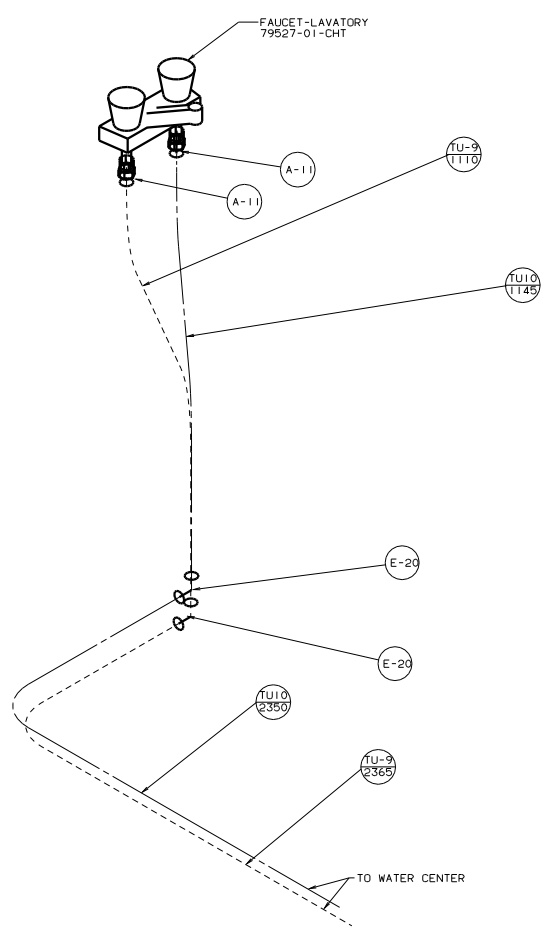
TITLE: WATER SYSTEM INSTL	
DO NOT SCALE DRAWING	DATE: 11/01/05
SHEET 4 OF 7	133042



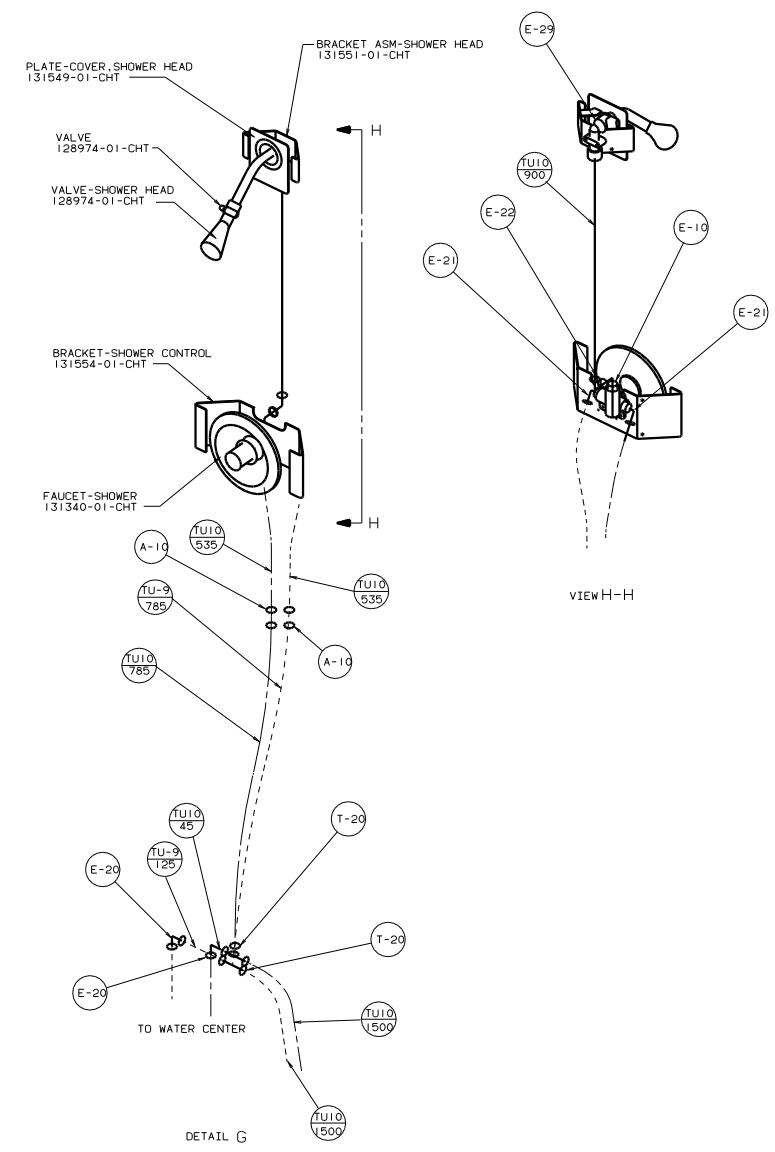
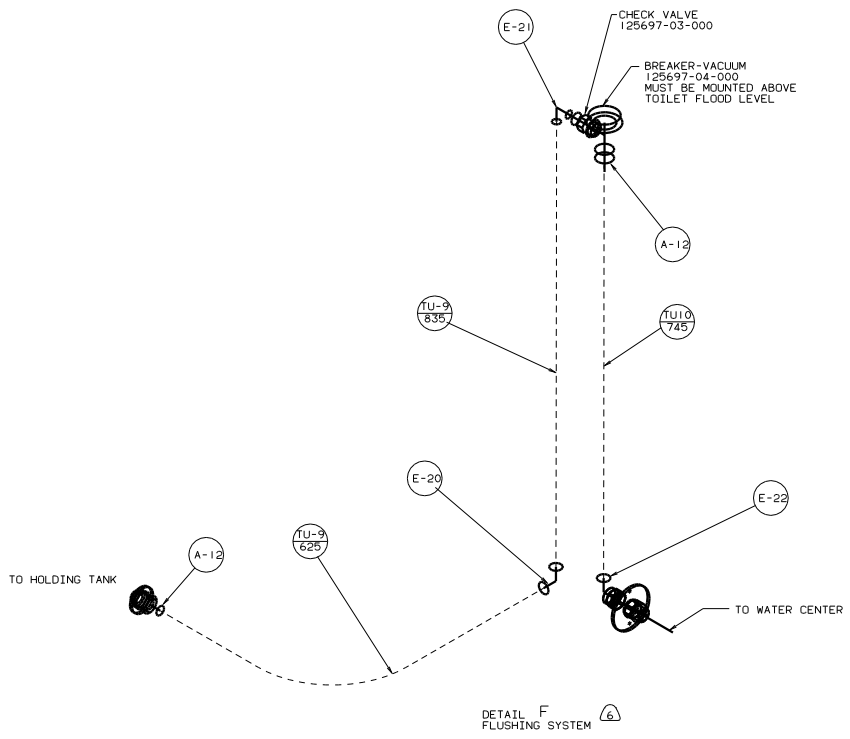




DETAIL E (54E)



DETAIL E (211)



00 L34Y

TITLE		WATER SYSTEM INSTL	
NO. OF SHEETS	7	NO. OF SHEETS	7
SHEET	7	SHEET	7
DATE		133042	