

- SINK-SST DOUBLE
 110694-01-000 (US/CAN)
 STRAINER
 92303-01-000 (2)
 SEAL
 91255-02-000 (A/R)
 RETAINER
 105497-01-000 (2)
 105497-02-000 (2)
 83125-02-000
 77351-30-000(2)
 77351-32-000(3)
 SCREW
 667-06-10U (2)

44B
 44E

- SINK-LAVATORY
 105921-01-CHT
 SPACER-SINK
 105218-01-CHT
 STRAINER
 106116-01-CHT
 SEAL
 91255-02-000(A/R)

- DRAIN
 120981-01-CHT
 NUT
 130403-01-000
 TAILPIECE
 11069-02-000
 WASHER
 127440-02-CHT
 SHOWER INSTL
 127290-03-000

- CLAMP
 62401-05-000 (4)
 BRACKET
 95061-01-000 (4)
 SCREW
 667-10-01B (4)

9. SECURE VENT TUBES TO FLOOR WITH BRACKET.
- VENT PIPE MUST PROJECT 51 MM MIN AND 64 MM MAX ABOVE ROOF FOR PROPER FIT AND FUNCTION.
 - SEE DWG 61607-01-000 FOR INSTL OF GROMMETS.
 - SEAL ALL AROUND SHOWER WITH SILICONE.
 - EXPOSED PIPE ABOVE ROOF TO BE PAINTED WITH 37163-01-000.
 - ALL EXTERIOR OPENINGS AROUND PIPE TO BE SEALED WITH 11074-01-000.
 - ALL PIPE AND FITTINGS TO BE ASSEMBLED WITH SOLVENT 4020-01-000.
 - SLOPE OF TRAP ARM MUST BE 6 PER 305.
 - SLOPE OF HORIZONTAL PIPING TO BE 6 PER 305 MIN.

- P-3 265
 P-2 1B1
 A-8 1B1

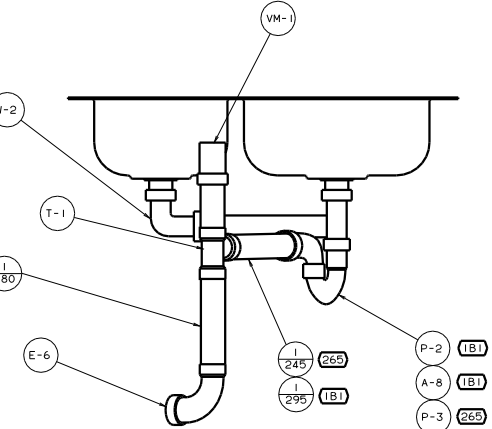
- 44E COUNTRTOP-SOL. SURFACE-GALLEY
 44B COUNTRTOP-LAMINATE W/WOOD
 21M WASHER / DRYER PREP
 21T WASHER / DRYER W/O
 265 CODES/STANDARDS-CSA/CMVSS
 1B1 CODES/STANDARDS USA

X-X
 FOR DRAINAGE
 CALLOUTS
 SEE DWG NO.
 116229-01-000

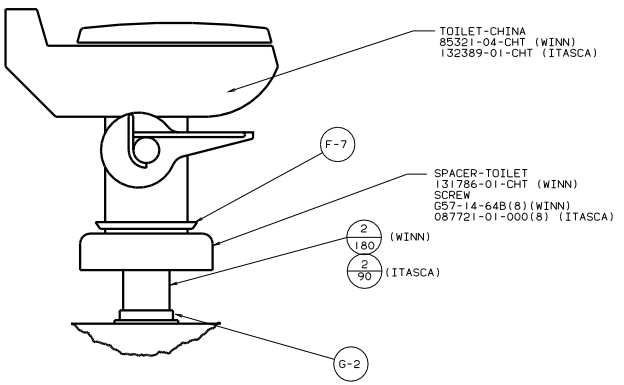
DATE		UNSPECIFIED TOLERANCES ARE:		MATERIAL	
DATE	DATE	WHOLE DIM (M)	FRACTIONAL DIM (M)	DATE	DATE
DATE	DATE	ONE-PLACE (M)	TWO-PLACE (M)	DATE	DATE
DATE	DATE	THREE-PLACE (M)	FOUR-PLACE (M)	DATE	DATE
DATE	DATE	FIVE-PLACE (M)	SIX-PLACE (M)	DATE	DATE
DATE	DATE	SIX-PLACE (M)	SEVEN-PLACE (M)	DATE	DATE
DATE	DATE	EIGHT-PLACE (M)	NINE-PLACE (M)	DATE	DATE
DATE	DATE	TEN-PLACE (M)	NO DIMENSIONS	DATE	DATE

WINNEBAGO 00 G37G

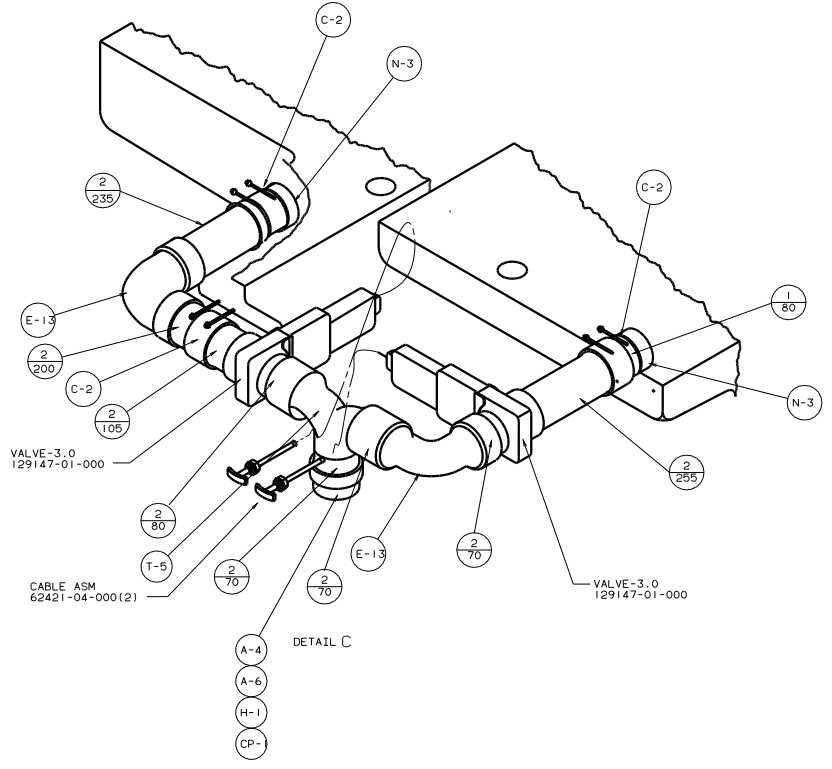
LAYOUT 637G TITLE: DRAINAGE SYSTEM INSTL
 SHEET 1 OF 4
 REF: 129732 L I



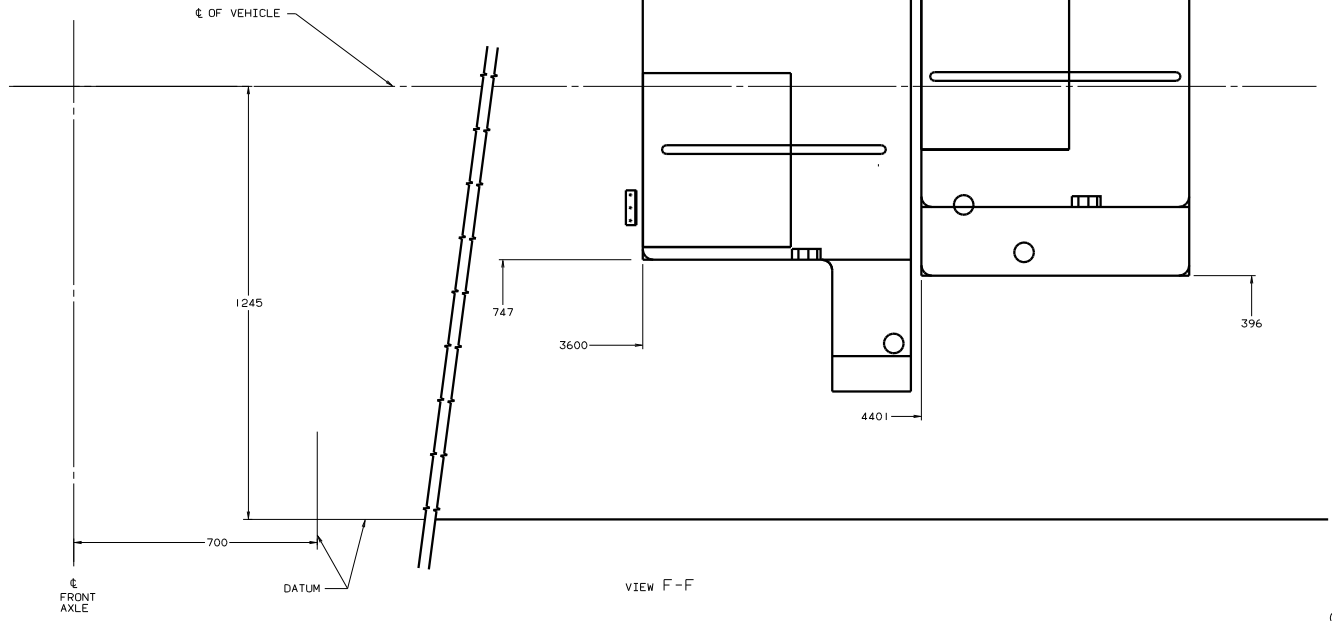
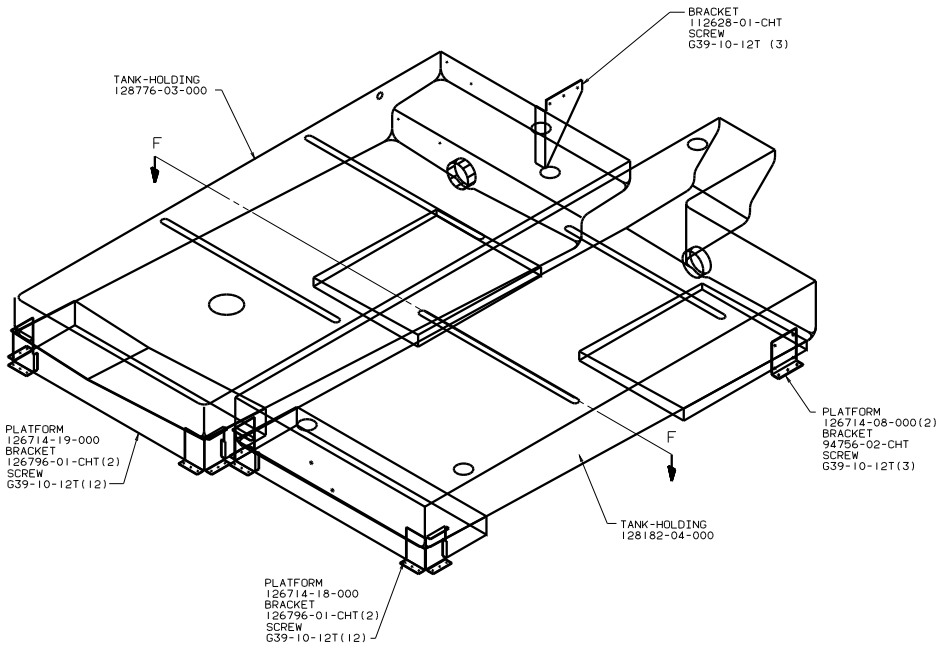
VIEW A-A



VIEW B-B

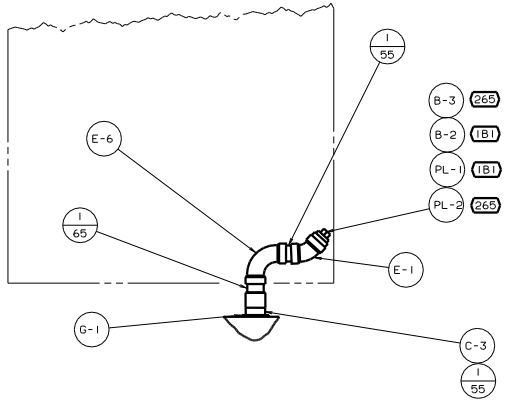


DETAIL C

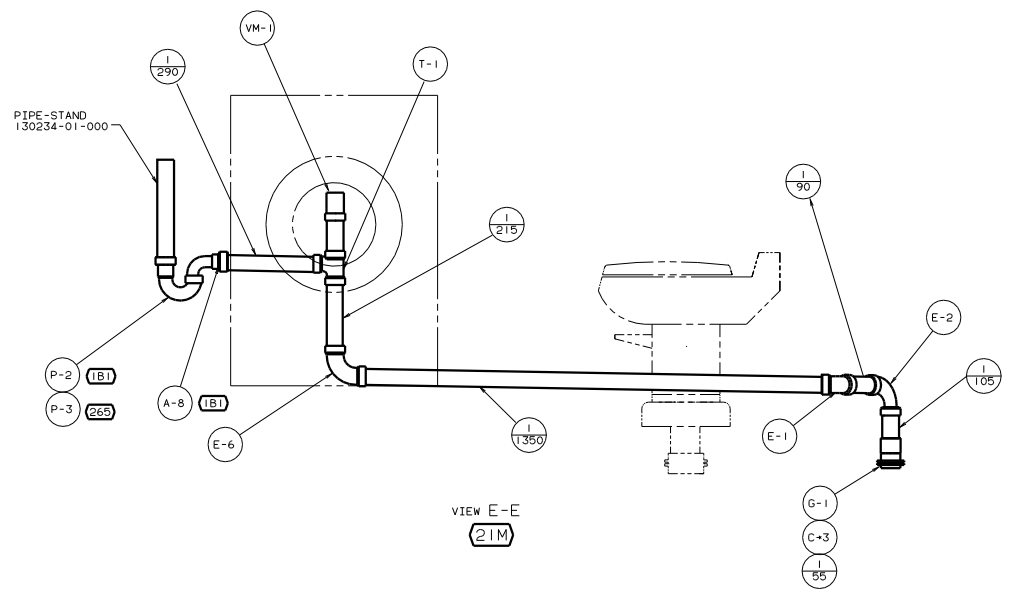
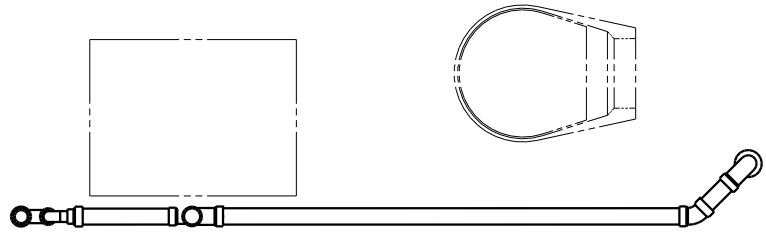


00 G37G

TITLE: DRAINAGE SYSTEM INSL		FIG. NO.	132302
30 DAY WORK ORDER	SHEET 3 OF 4	REV. NO.	1



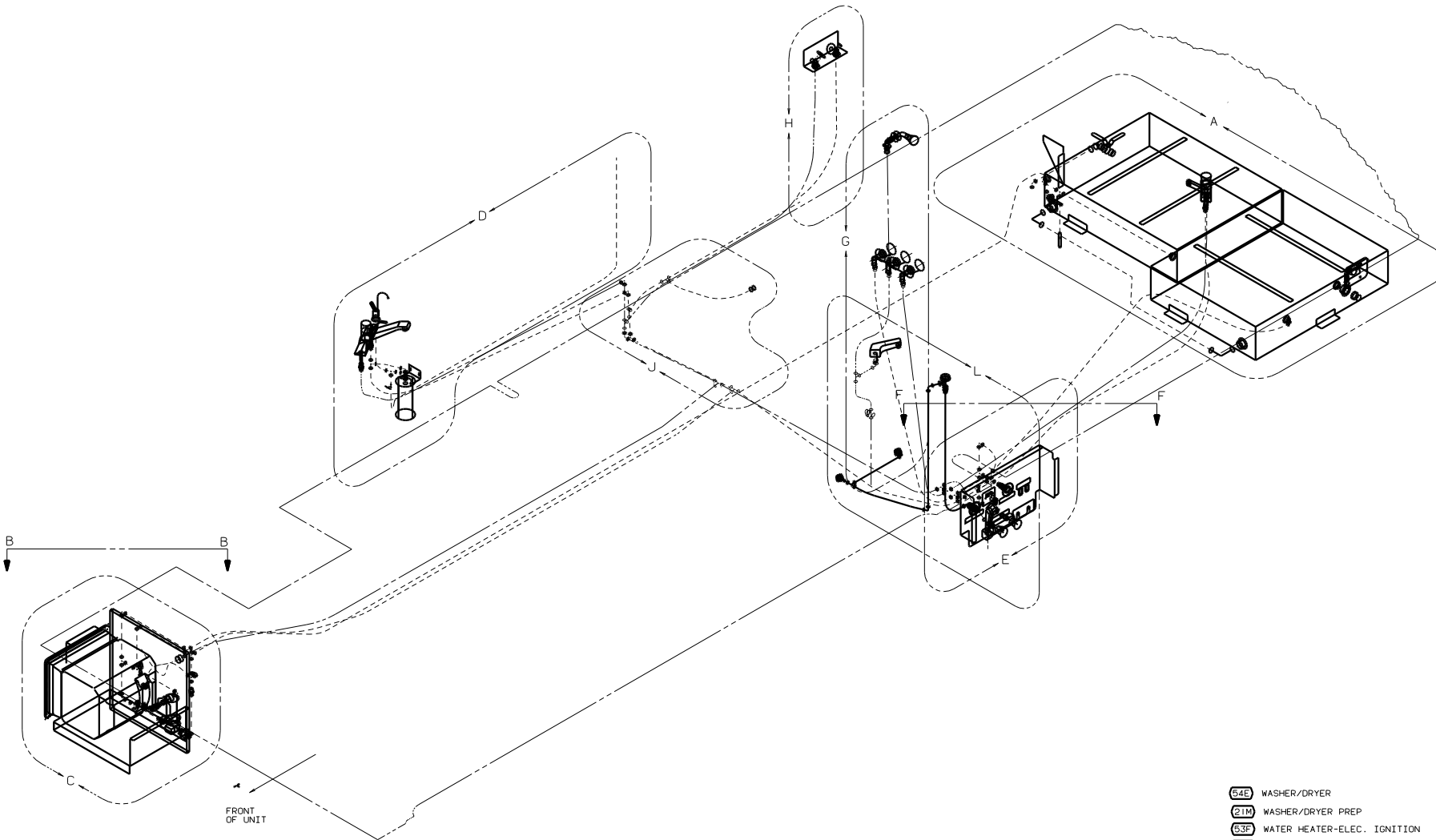
VIEW D-D
WASHER/DRYER WITHOUT
(21T)



VIEW E-E
(21M)

00 G37G

TITLE: DRAINAGE SYSTEM INSTL	
NO. OF SHEETS: 4	SHEET: 4 OF 4
DATE: 11/11/05	DWG. NO: 132302



- 8. ADD TEFLON TAPE 10405-02-000 TO FITTING.
- 7. USE WITH ITASCA.
- 6. USE WITH WINNEBAGO.
- 5. USE DETAIL "K" IN THIS AREA (BOTH ENDS OF TUBING).
- 4. FLUSHING SYSTEM REQUIRES 125697-06-000 INSTRUCTION SHEET.
- 3. ALL TUBING TO BE SECURED AT 1200 INTERVALS MAX WITH CLAMP 10495-01-000 OR CLIP 91951-01-000 AND SCREW G67-10-12B.
- 2. TUBING TO BE INSTALLED WITH SUFFICIENT SLOPE TO PROVIDE DRAINAGE TO THE NEAREST VALVE.
- 1. PLASTIC FITTINGS TO BE SEALED WITH SEALANT 84456-01-000.

NOTES:

FOR
 WATER
 CALLOUTS
 SEE DWG NO.
 116230-01-000

LEGEND

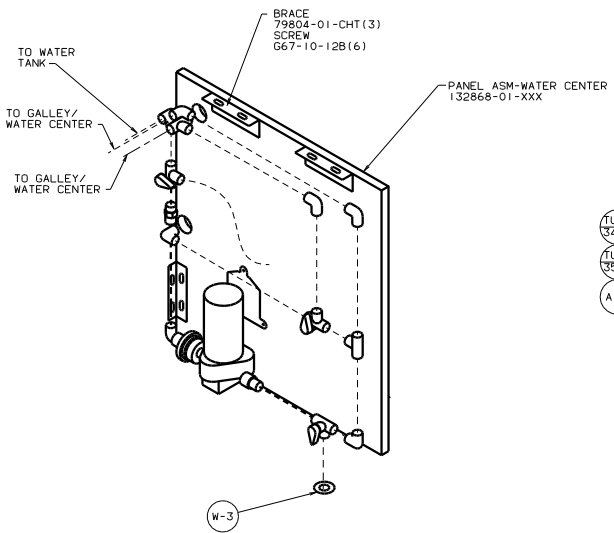
HOT	●●●●●
COLD	○●●●○

- 54E WASHER/DRYER
- 21M WASHER/DRYER PREP
- 53F WATER HEATER-ELEC. IGNITION
- 501 WATER PURIFIER WITHOUT
- 29B WATER PURIFIER
- 15U REFRIGERATOR/FRZR W/ICEMAKER
- 1B2 WTR HTR-10GAL/ELEC/LP/MTRAD

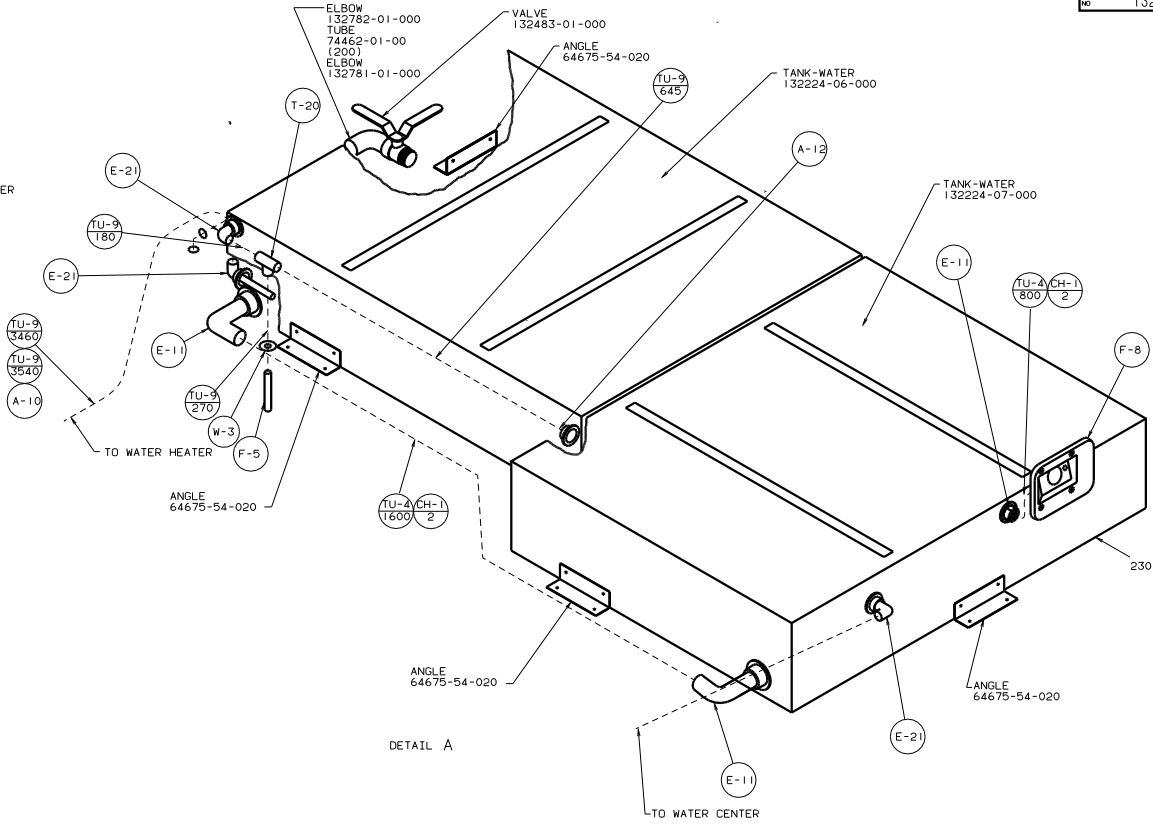
00 G37G		DATE	UNDESIGNED TOLERANCES ARE:	MATERIAL
		DATE	WHOLE DIM. (X) ± .1	
DATE	ONE-PLACE (X.XX)			
DATE	TWO-PLACE (X.XXX)			
DATE	THREE-PLACE (X.XXXX)			
DATE	FOUR-PLACE (X.XXXX)			
DATE	THIRD ANGLE PROJECTION			
DATE				
DATE				
DATE				
DATE				
DATE				
DATE				
DATE				

LAYOUT NO. 00AG37G TITLE: WATER SYSTEM INSTL
 100 PER SCALE DRAWING SHEET 1 OF 4 REF: 132697 A1
 ALL DIMENSIONS ARE IN MILLIMETERS

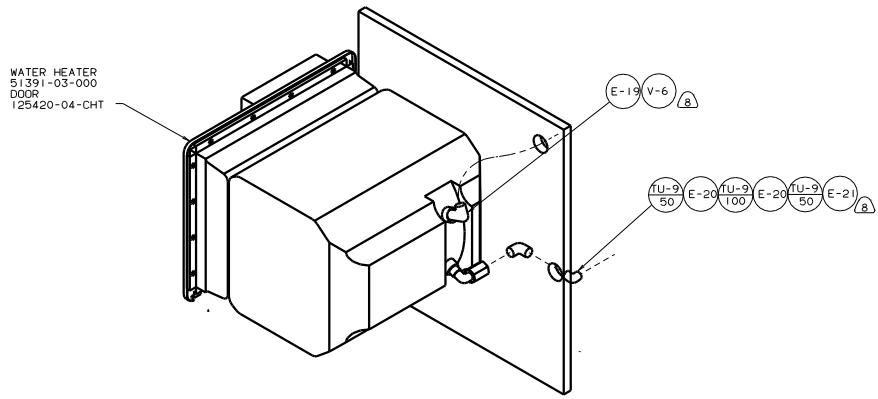
H
G
F
E
D
C
B
A



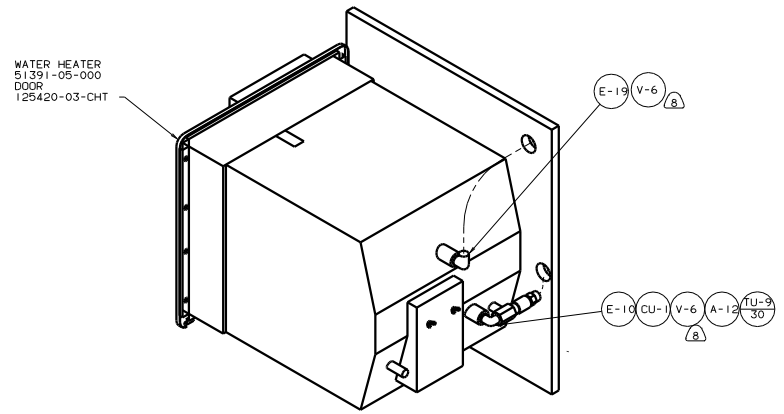
VIEW B-B



DETAIL A

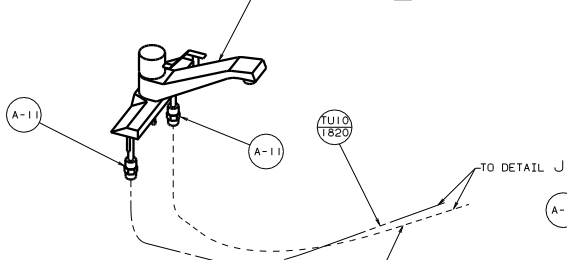


DETAIL C (3F)



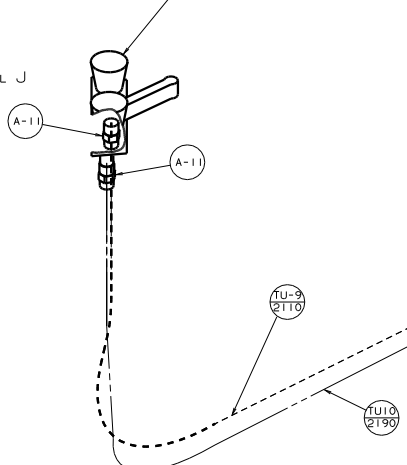
DETAIL C (1B)

FAUCET-GALLEY
104114-02-CHT
123744-02-CHT



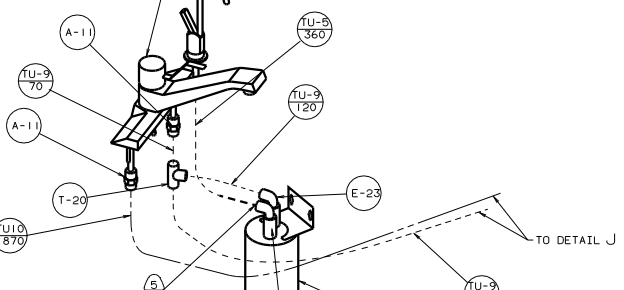
DETAIL D (501)

FAUCET-LAVATORY
79527-01-CHT



TO REFRIGERATOR

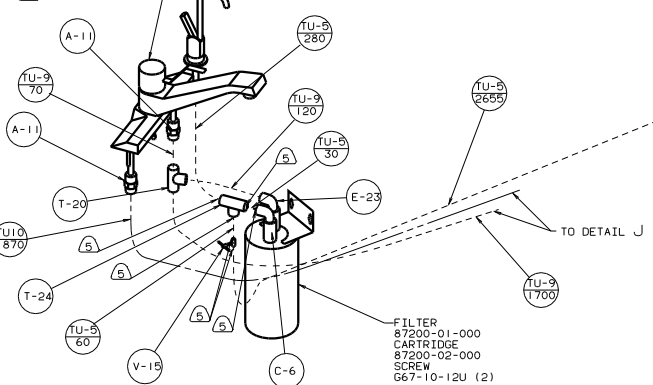
FAUCET-GALLEY
104114-02-CHT
123744-02-CHT



DETAIL D (298)

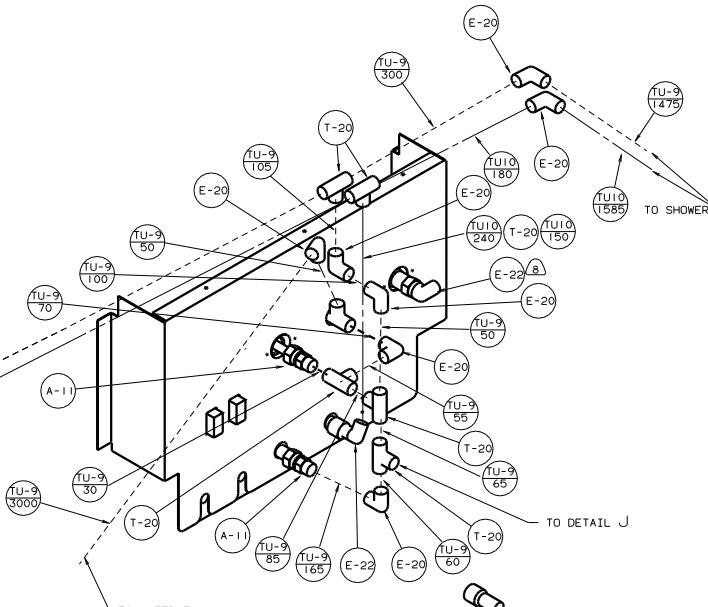
FILTER
87200-01-000
CARTRIDGE
87200-02-000
SCREW
G67-10-12U (2)

FAUCET-GALLEY
104114-02-CHT
123744-02-CHT



DETAIL D (298) (150)

FILTER
87200-01-000
CARTRIDGE
87200-02-000
SCREW
G67-10-12U (2)

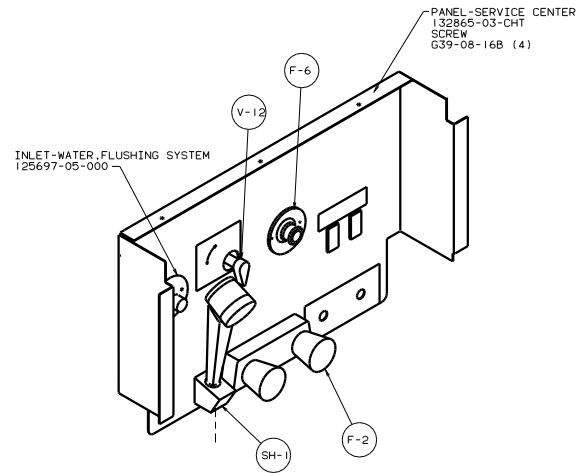


TO SHOWER

VIEW F-F

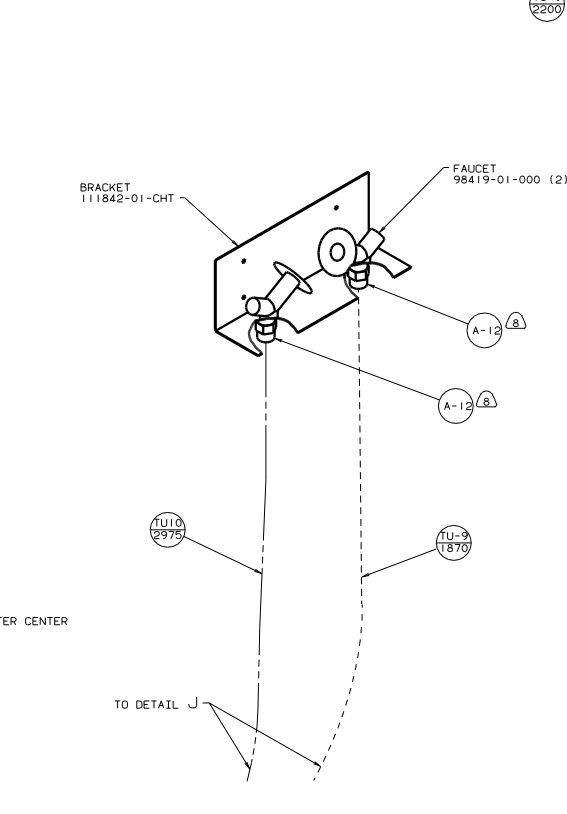
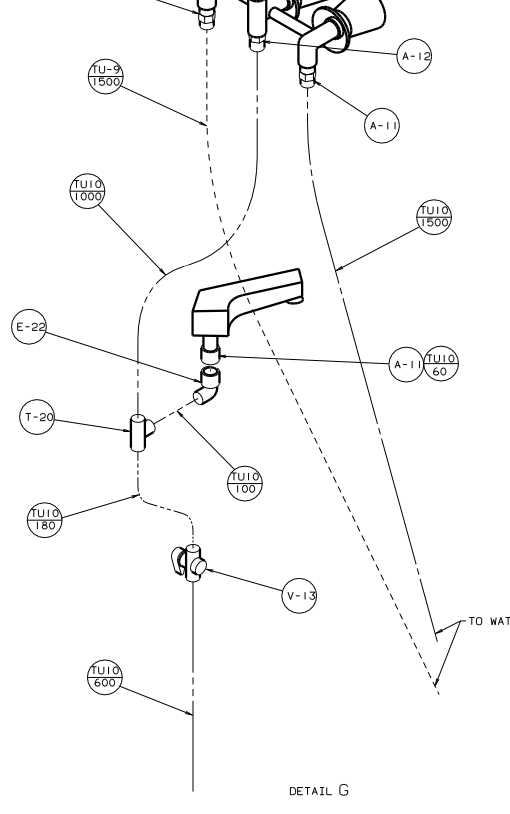
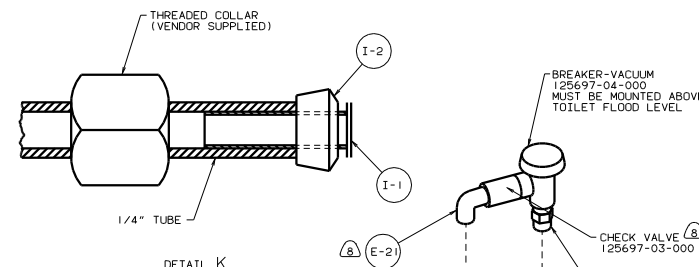
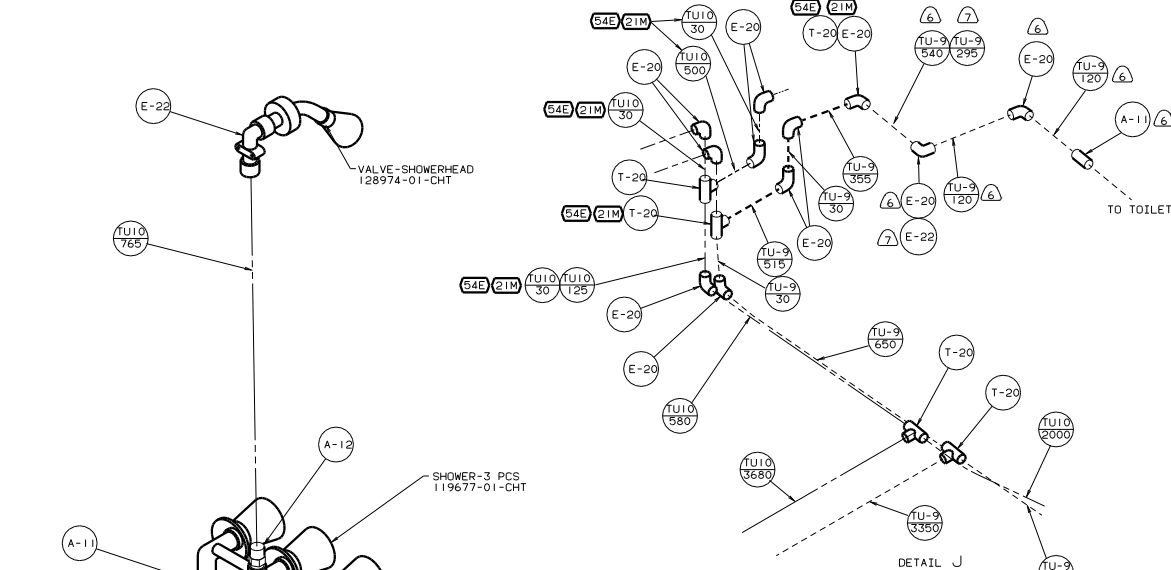
TO WATER TANK

INLET-WATER, FLUSHING SYSTEM
125697-05-000



DETAIL E

PANEL-SERVICE CENTER
132855-03-CHT
SCREW
G39-08-16B (4)



TITLE: WATER SYSTEM INSTL		
NO. OF SHEETS	DESIGNED BY	DWG. NO.
4		132706
SHEET 4 OF 4		1