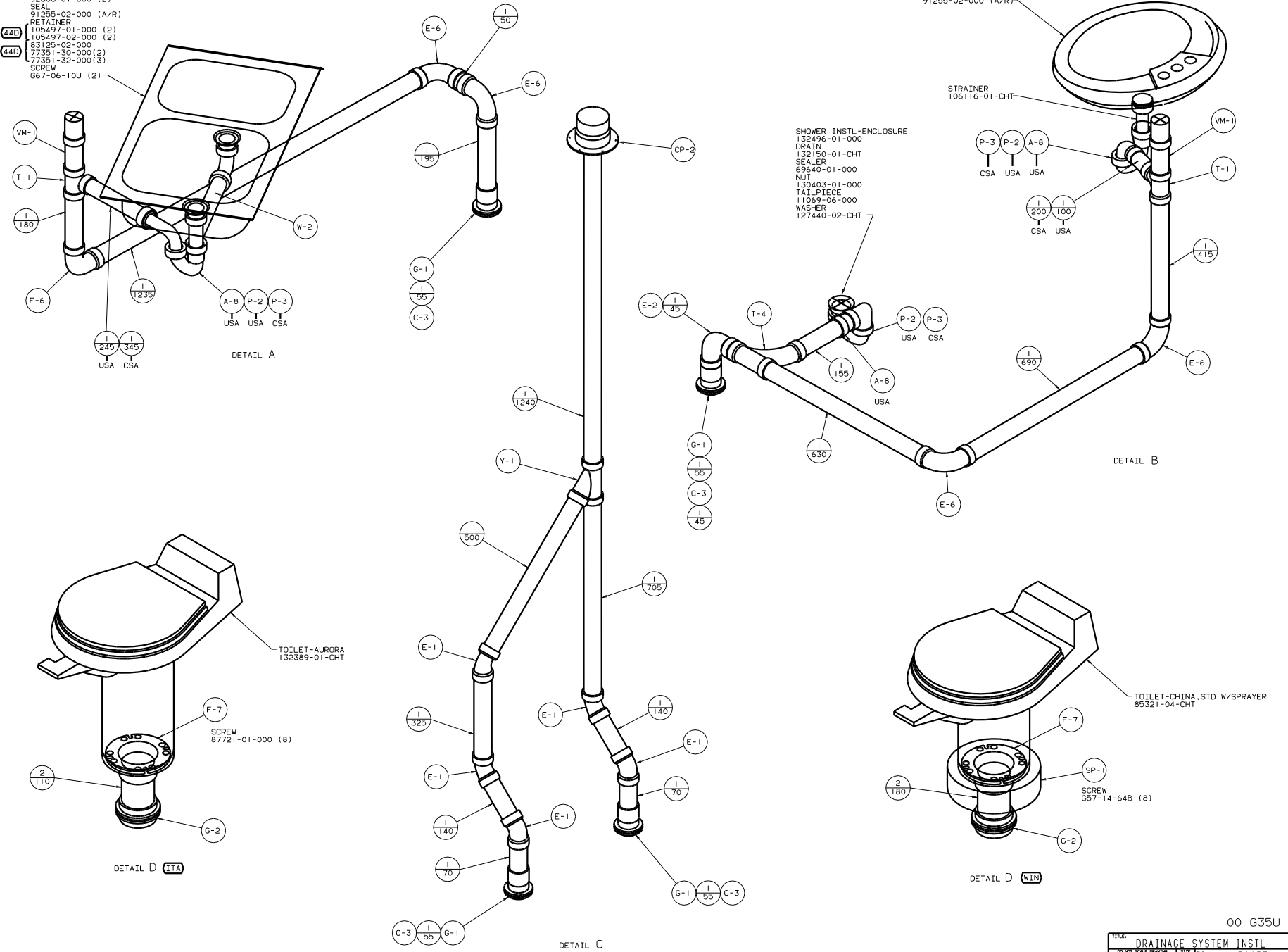
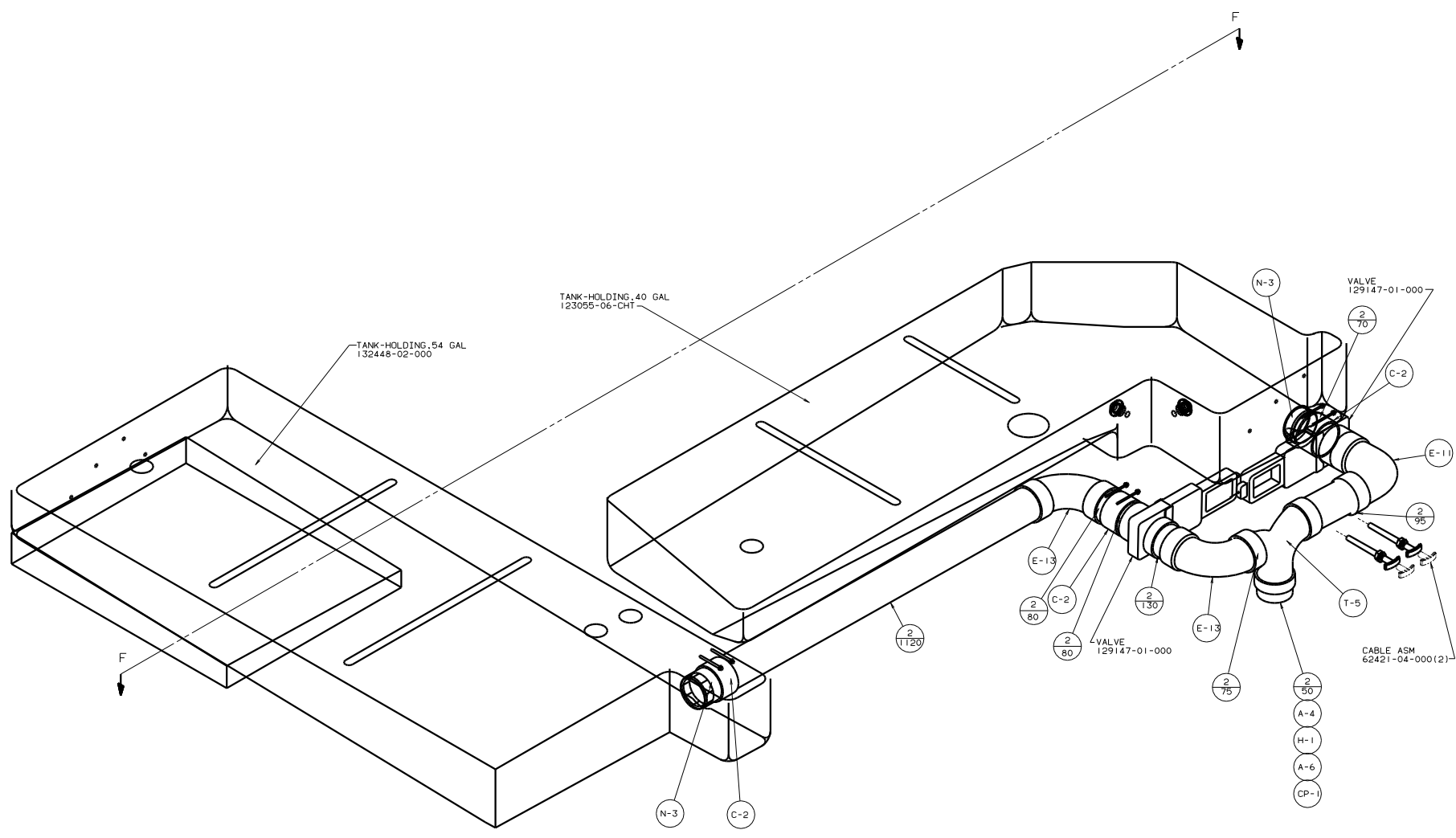


- SINK-SST.DOUBLE
- 110654-01-000 (US/CAN)
- STRAINER
- 92303-01-000 (2)
- SEAL
- 91255-02-000 (A/R)
- RETAINER
- 105497-01-000 (2)
- 105497-02-000 (2)
- 83125-02-000
- 77351-30-000(2)
- 77351-32-000(3)
- SCREW
- G67-06-10U (2)

- SINK-LAVATORY
- 105921-01-CHT
- SEAL
- 91255-02-000 (A/R)

- SHOWER INSTL-ENCLOSURE
- 132496-01-000
- DRAIN
- 132150-01-CHT
- SEALER
- 69640-01-000
- NUT
- 130403-01-000
- TAILPIECE
- 11069-06-000
- WASHER
- 127440-02-CHT

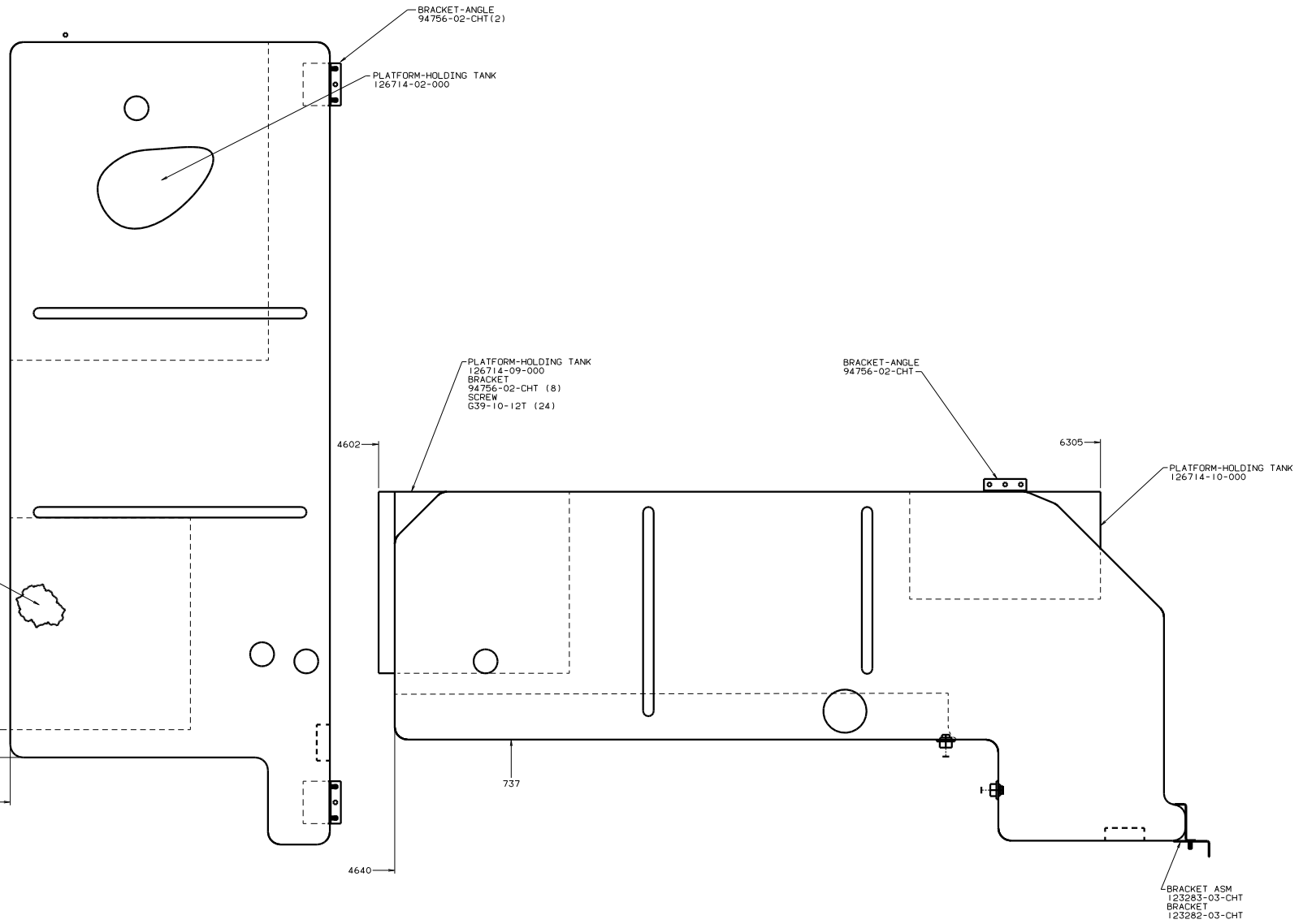




DETAIL E

00 G35U

TITLE: DRAINAGE SYSTEM INSUL		DWG NO: 132657	
NO. OF SHEETS: 4	SHEET: 3 OF 4	REV: 1	DATE: 11/01/05



VIEW F-F

1. ALL DIMENSIONS ARE FROM FRONT AND LEFT SIDE OF UPPER FLOOR
(700.1222 FROM CENTERLINE FRONT AXLE.)

NOTES:

00 G35U

TITLE: DRAINAGE SYSTEM INSTL	
30 THE BUCK BUILDING	100
SHEET 4 OF 4	1.0
132657	

TO WATER TANK

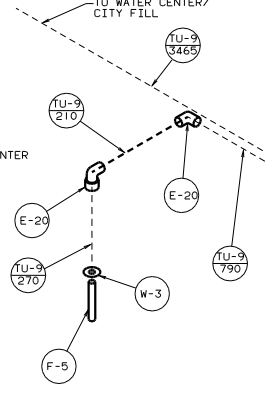
BRACE
79804-01-CHT (3)
SCREW
667-10-12B (6)

PANEL ASM-WATER CENTER
132868-01-XXX

S-1

W-3

VIEW B-B



VALVE
132483-01-000
TUBE
74462-01-000 (75)
ELBOW
132781-01-000
TUBE
74462-01-000 (150)

CH-1
2

F-8

TU-4
1000

TANK ASM-WATER
132224-04-000

E-21

A-4

E-21

T-22

TU-9
510

TANK ASM-WATER
132224-05-000

E-11

TU-4
100

E-11

E-21

VIEW A-A

STL-ANGLE
64675-54-020 (3)

E-20

TU-9
170

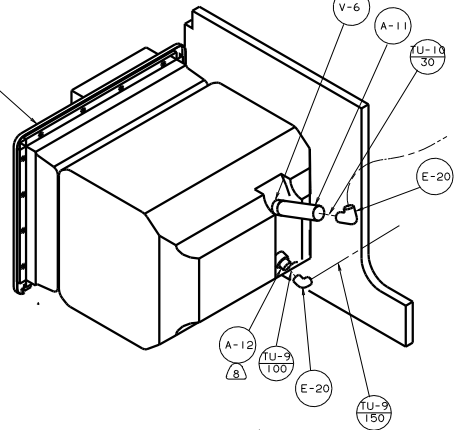
TU-9
170

TO WATER PUMP

E-20

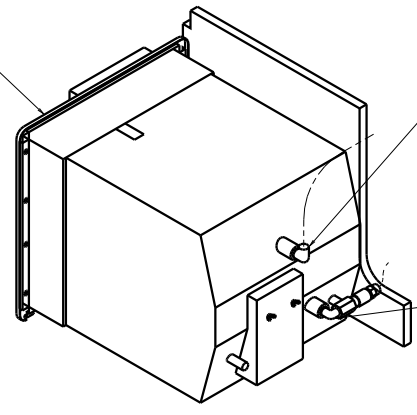
TU-9
170

WATER HEATER
51391-03-000
DOOR
125420-04-CHT



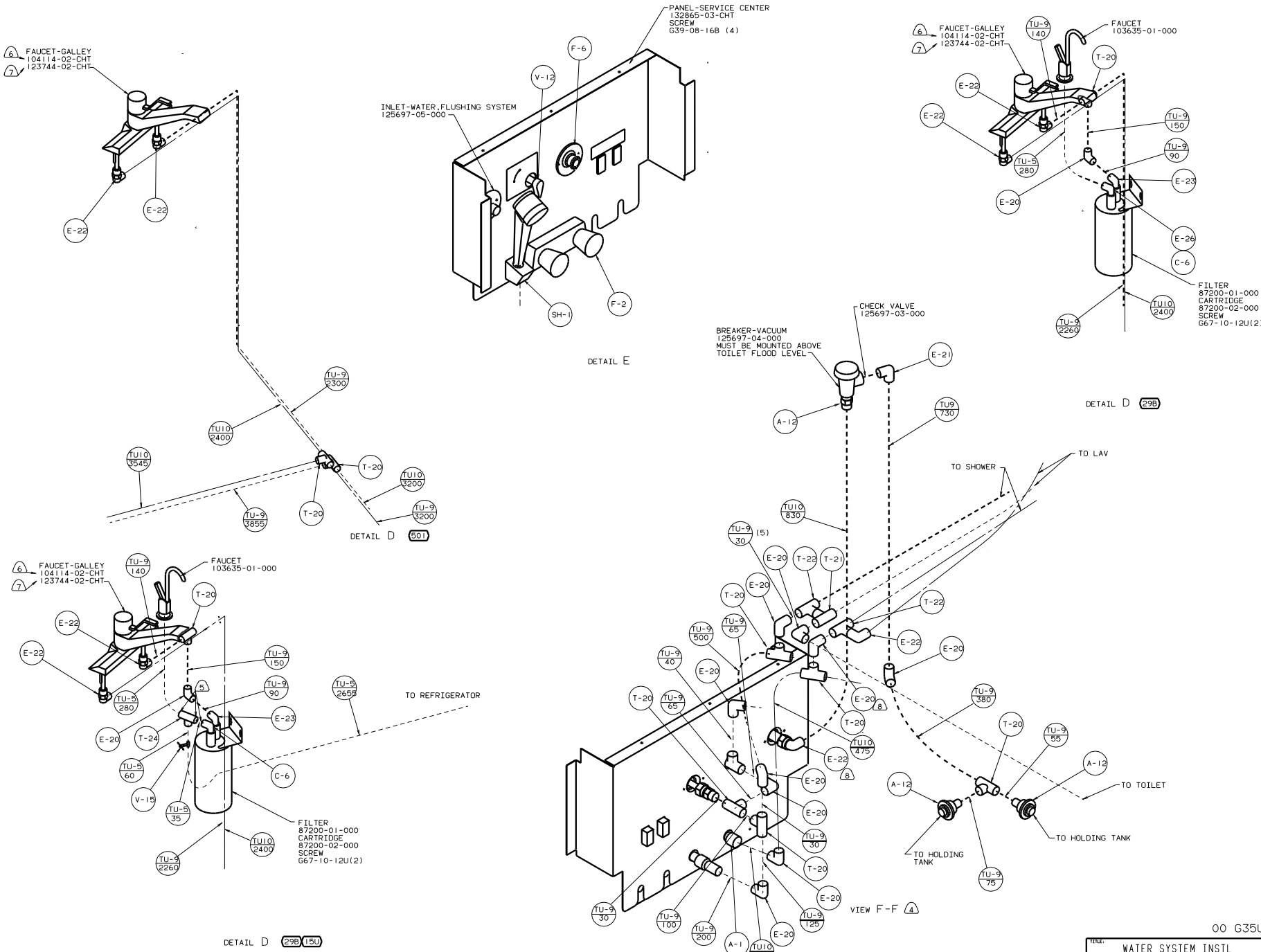
DETAIL C 53F

WATER HEATER
51391-05-000
DOOR
125420-03-CHT



DETAIL C 1B2

00 G35U



00 G35U

