

9. SECURE VENT TUBES TO FLOOR WITH BRACKET.
8. VENT PIPE MUST PROJECT 51 MM MIN AND 64 MM MAX ABOVE ROOF FOR PROPER FIT AND FUNCTION.
7. SEE DWG 61607-01-000 FOR INSTL OF GROMMETS.
6. SEAL ALL AROUND SHOWER WITH SILICONE.
5. EXPOSED PIPE ABOVE ROOF TO BE PAINTED WITH 37163-01-000.
4. ALL EXTERIOR OPENINGS AROUND PIPE TO BE SEALED WITH 11074-01-000.
3. ALL PIPE AND FITTINGS TO BE ASSEMBLED WITH SOLVENT 4020-01-000.
2. SLOPE OF TRAP ARM MUST BE 6 PER 305.
1. SLOPE OF HORIZONTAL PIPING TO BE 6 PER 305 MIN.

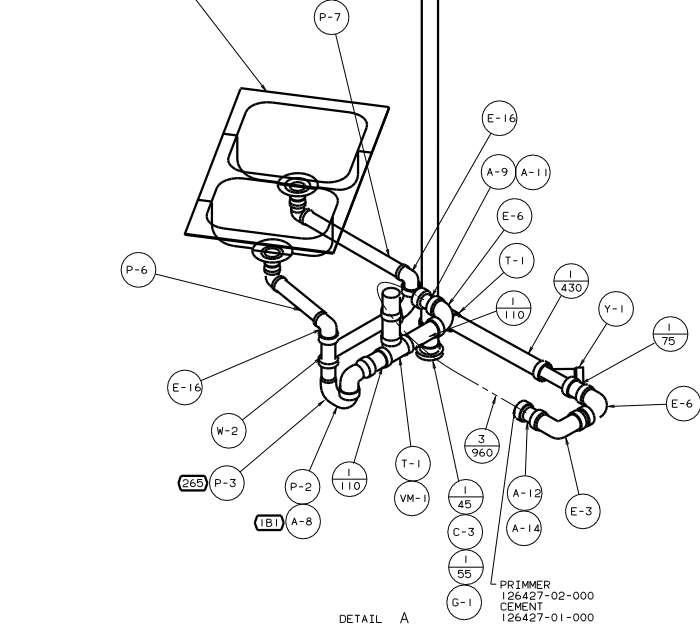
- 44E COUNTERTOP-SOLID SURFACE
- 44D COUNTERTOP-LAMINATE W/WOOD
- 21T WASHER/DRYER-WITHOUT
- 21M WASHER/DRYER PREP
- WIN WINNEBAGO ONLY
- ITA ITASCA ONLY
- 265 CODES/STANDARDS-CSA/CMVSS
- 1B1 CODES/STANDARDS USA

FOR DRAINAGE CALLOUTS SEE DWG NO. 116229-01-000

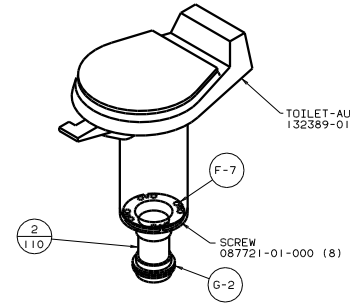
DATE		UNSPECIFIED TOLERANCES ARE:		MATERIAL	
OF IN	DATE	WHOLE DIM (1)	1/8		
CHP	DATE	ONE-PLACE (1/32)			
PIE	DATE	TWO-PLACE (1/64)			
D/E	DATE	THREE-PLACE (1/128)			
CDR	DATE	INDIC. WHOLE PROJECTION			

LAYOUT 00G35B TITLE: DRAINAGE SYSTEM INSTL
 00G35B 116229-01-000 1 OF 3
 REF: 132302 C I 133904

- SINK-SST.DOUBLE
110654-01-000 (US/CAN)
- STRAINER
92303-01-000 (2)
- SEAL
91255-02-000 (A/R)
- RETAINER
105497-01-000(2)
- 105497-02-000(2)
- 83125-02-000
- 77351-30-000(3)
- 77351-32-000(2)
- SCREW
G67-06-10U (2)
- WASHER-RUBBER
127440-02-DHT (2)

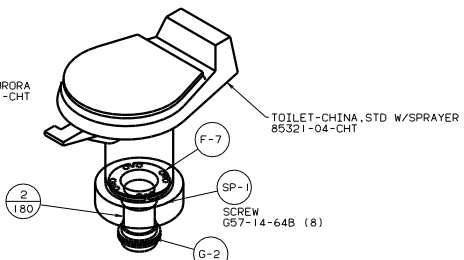


DETAIL A



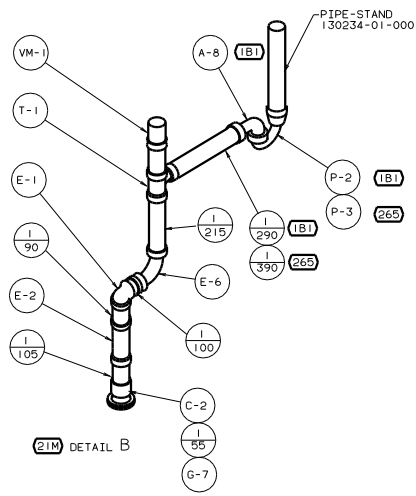
DETAIL C

(ITA)

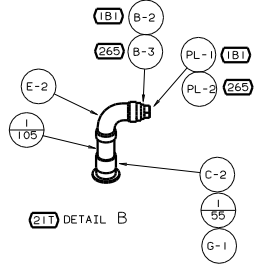


DETAIL C

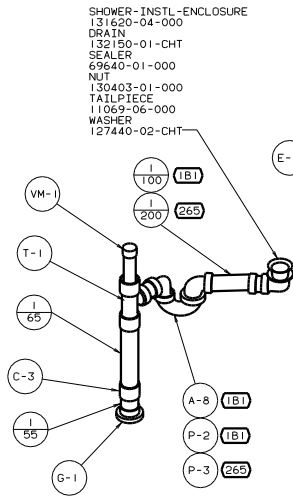
(WIN)



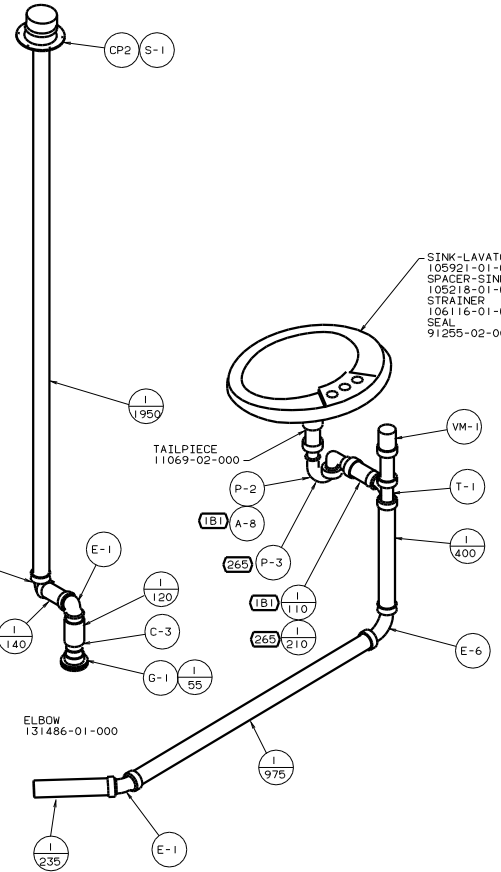
DETAIL B



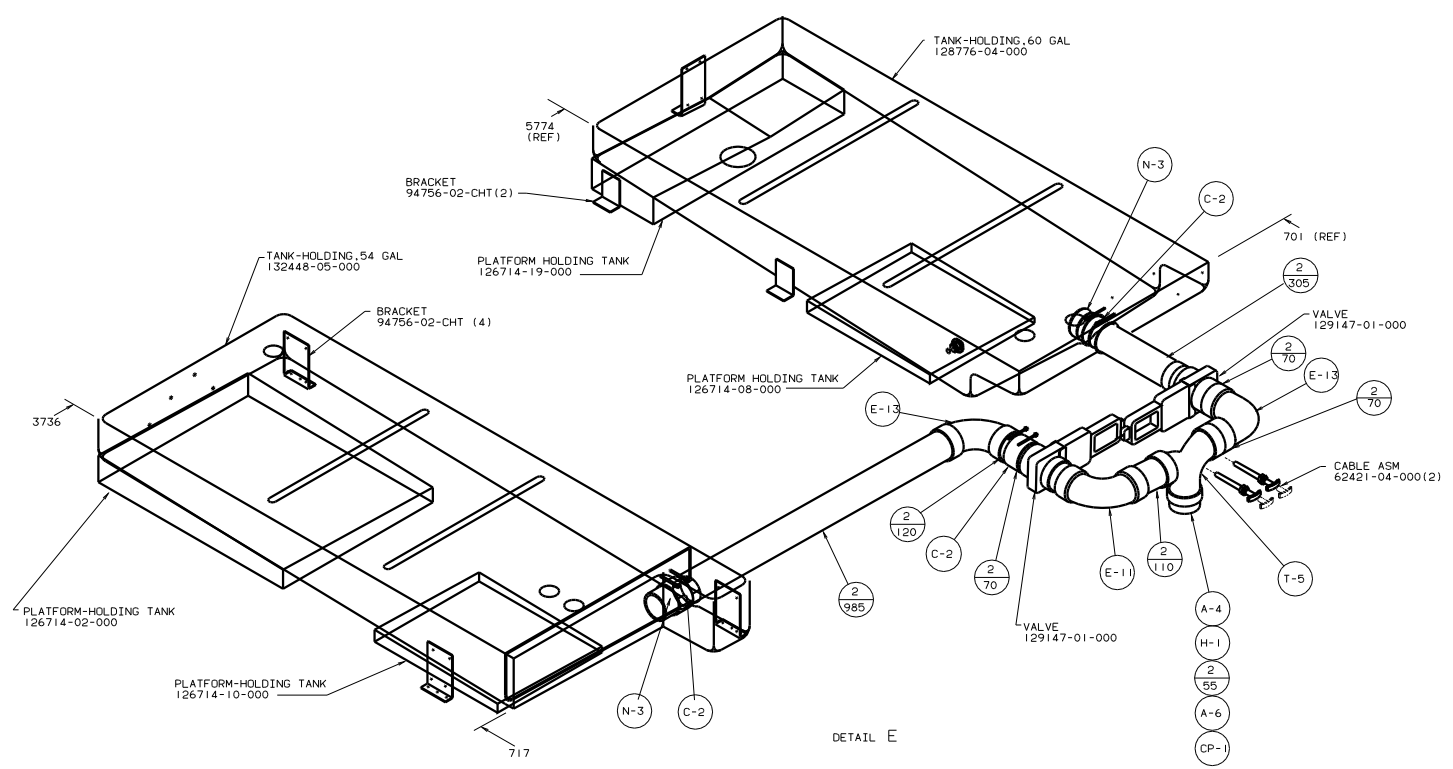
DETAIL B



- SHOWER-INSTL-ENCLOSURE
131620-04-000
- DRAIN
132150-01-CHT
- SEALER
69640-01-000
- NUT
130403-01-000
- TAILPIECE
11069-06-000
- WASHER
127440-02-CHT

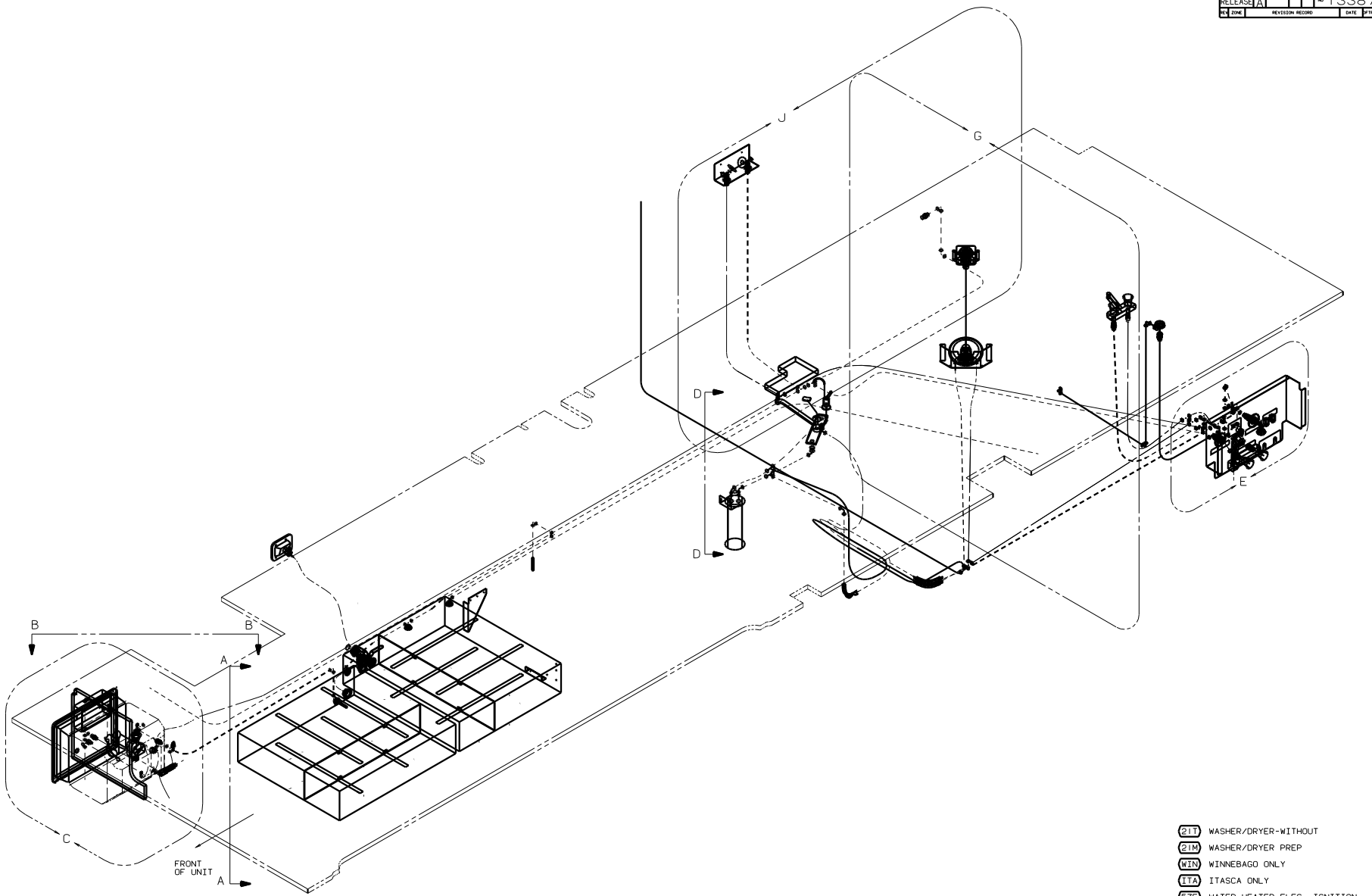


DETAIL D



00 G35B

TITLE: DRAINAGE SYSTEM INSTL	
NO. OF SHEETS: 3	FIG. NO. 1
SHEET 3 OF 3	133904



- 1. PLASTIC FITTINGS TO BE SEALED WITH SEALANT 84456-01-000.
- 2. TUBING TO BE INSTALLED WITH SUFFICIENT SLOPE TO PROVIDE DRAINAGE TO THE NEAREST VALVE.
- 3. ALL TUBING TO BE SECURED AT 1200 INTERVALS MAX WITH CLAMP 10495-01-000 OR CLIP 91951-01-000 AND SCREW G67-10-12B.
- 4. FLUSHING SYSTEM REQUIRES 125697-06-000 INSTRUCTION SHEET.
- 5. USE DETAIL "J" IN THIS AREA (BOTH ENDS OF TUBING).
- 6. ADD TEFLON TAPE 10405-02-000 TO FITTING.

FOR WATER CALLOUTS SEE DWG NO. 116230-01-000

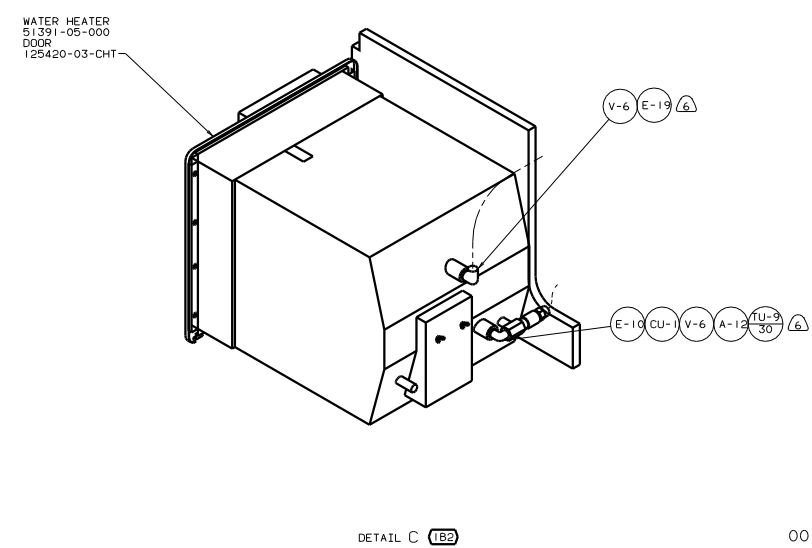
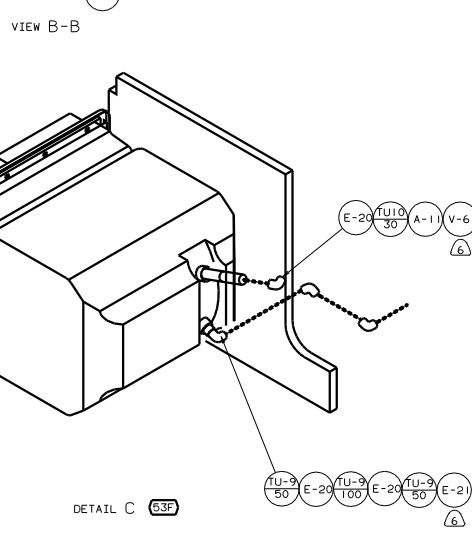
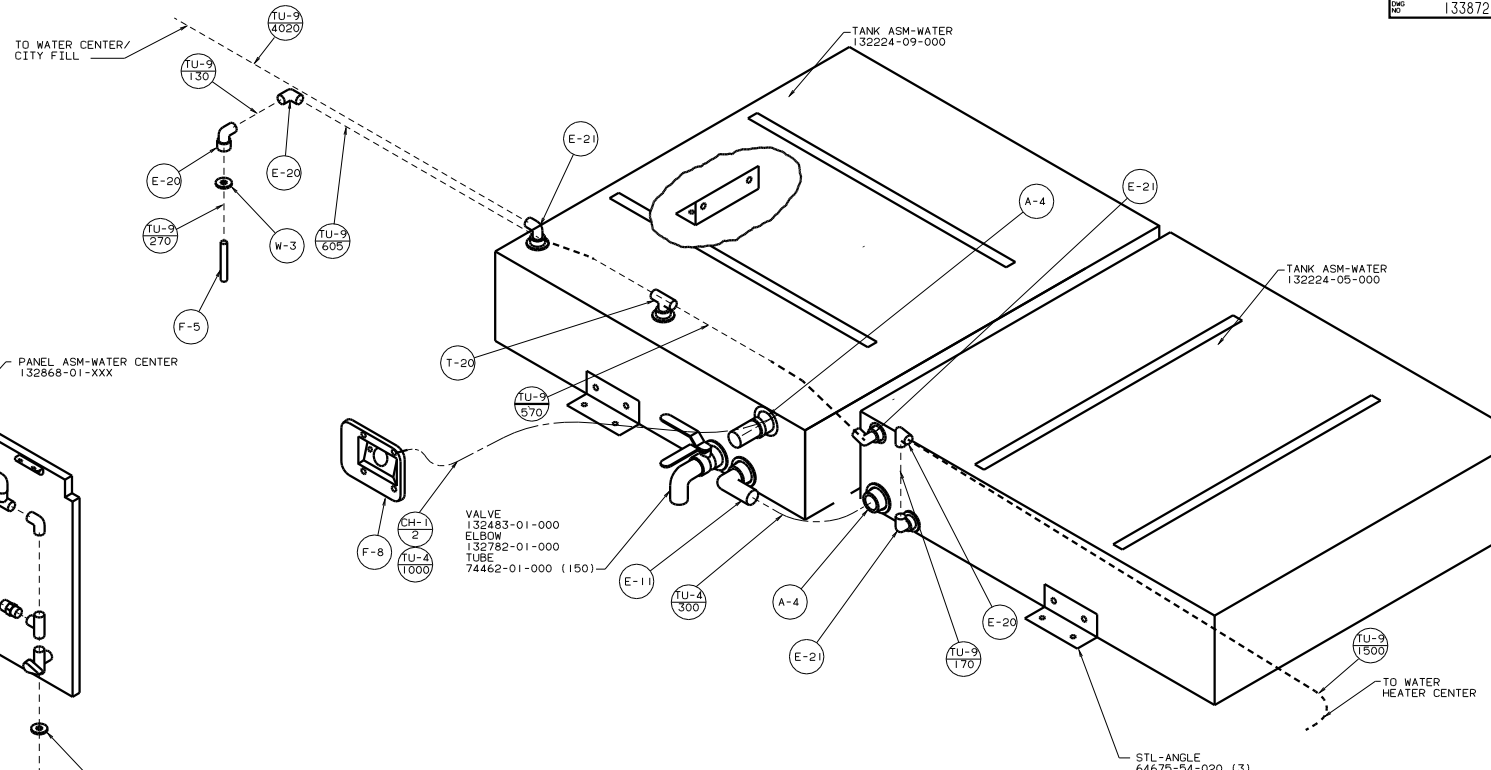
LEGEND	
HOT	●●●●●●
COLD	●●●●●●

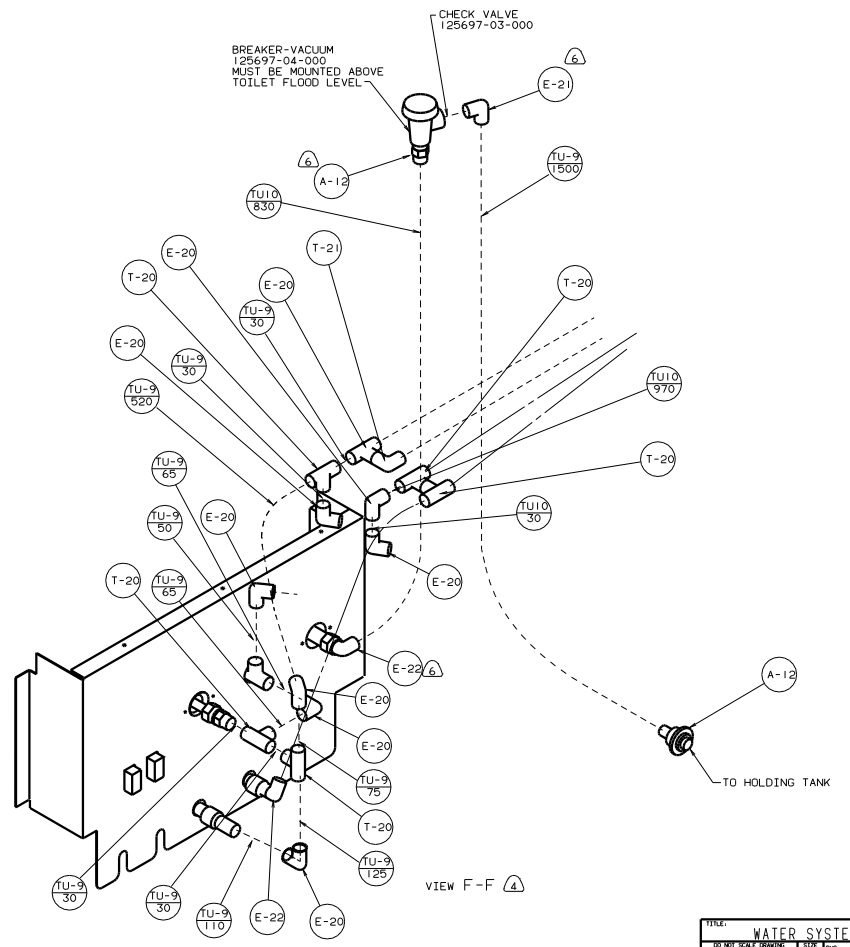
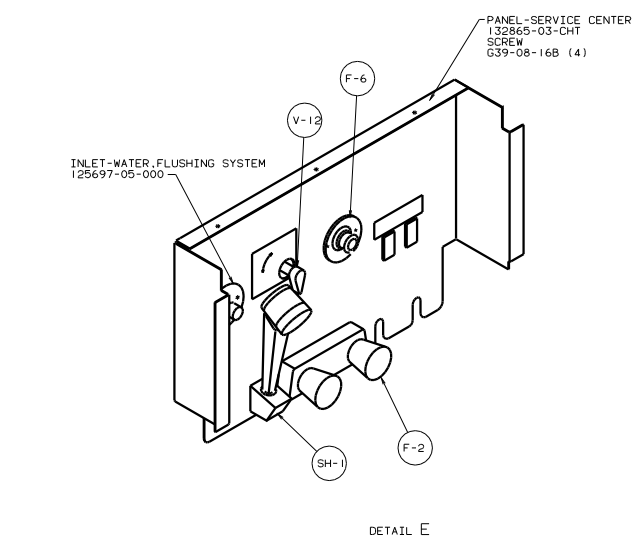
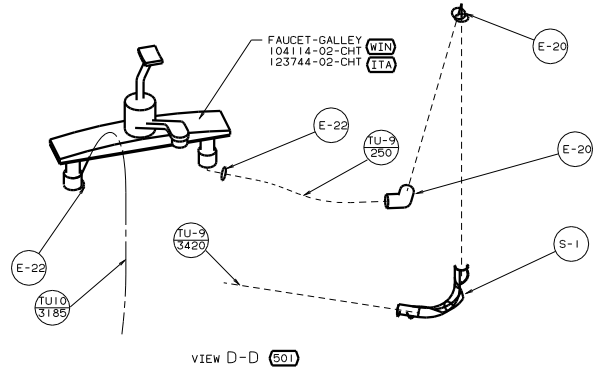
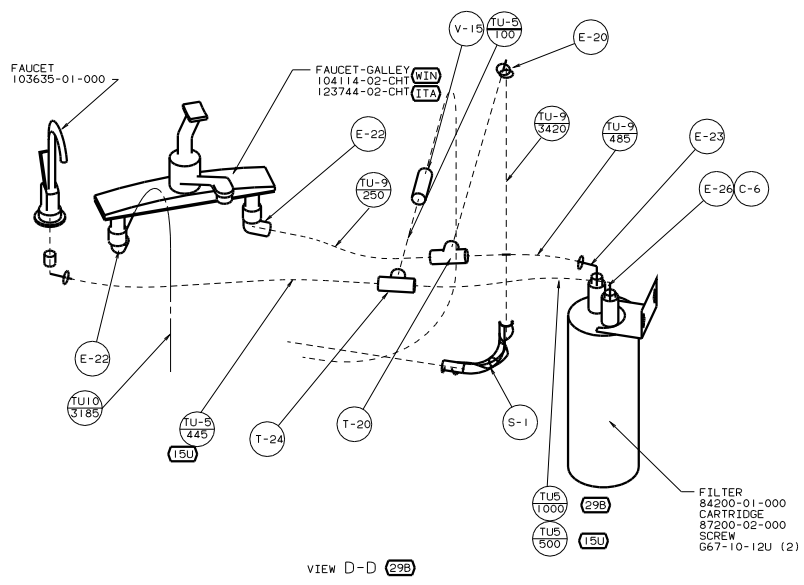
- (217) WASHER/DRYER-WITHOUT
- (21M) WASHER/DRYER PREP
- (WIN) WINNEBAGO ONLY
- (ITA) ITASCA ONLY
- (53F) WATER HEATER-ELEC. IGNITION
- (501) WATER PURIFIER WITHOUT
- (29B) WATER PURIFIER
- (15U) REFRIGERATOR/FRZR W/ICEMAKER
- (1B2) WTR HTR-10GAL/ELEC/LP/MTRAD

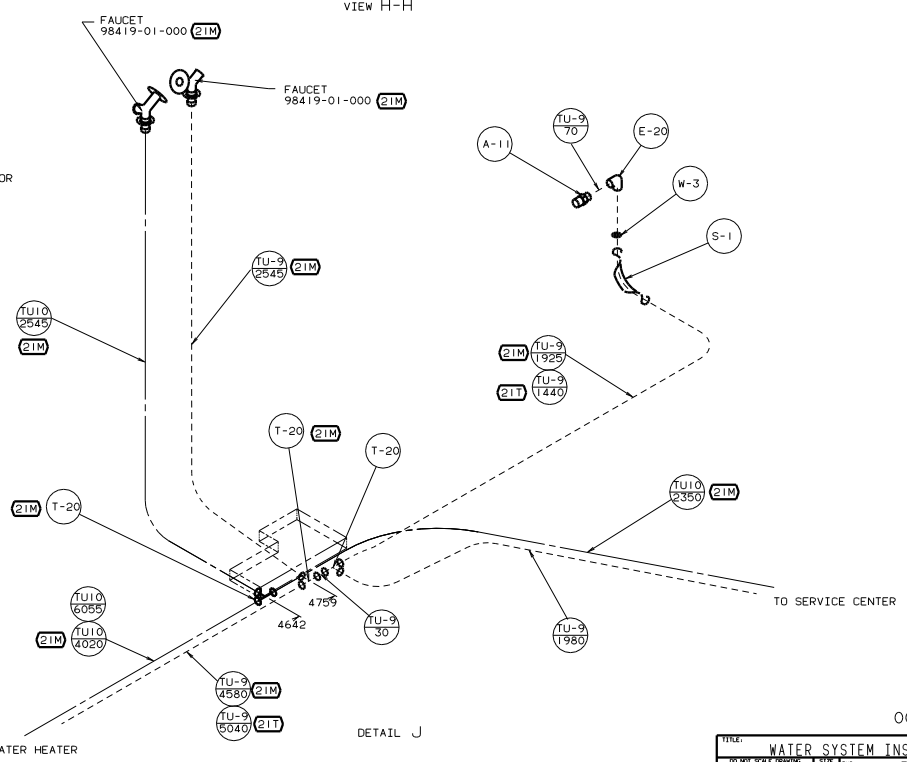
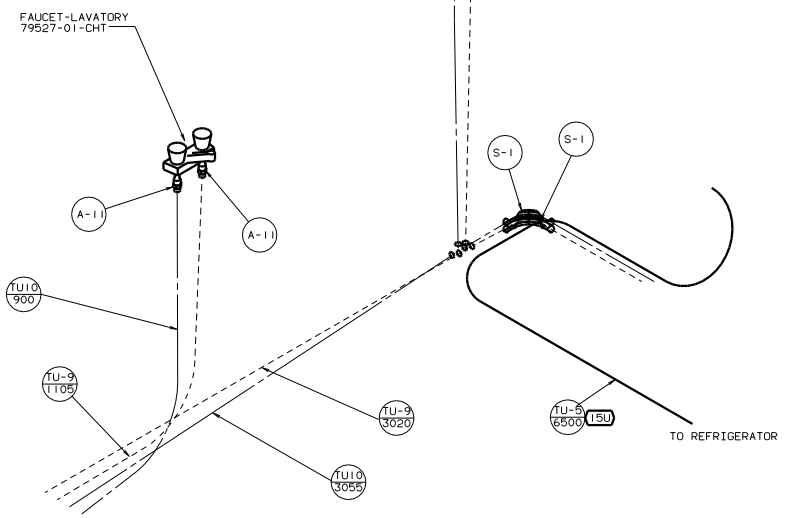
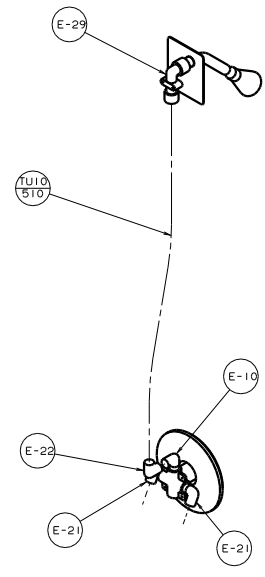
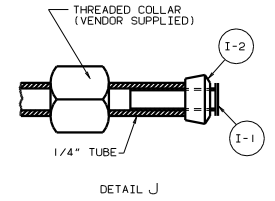
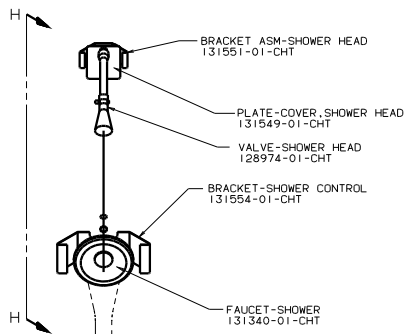
00 G358		
DATE	UNDESIGNED TOLERANCES ARE:	MATERIAL
DATE	WHOLE DIM (IN)	F
DATE	ONE-PLACE (IN.XI)	.
DATE	TWO-PLACE (IN.XXX)	..
DATE	THREE-PLACE (IN.XXX)	...
DATE	FOUR-PLACE (IN.XXXX)
DATE	FIVE-PLACE (IN.XXXXX)
DATE	SIX-PLACE (IN.XXXXX)
DATE	SEVEN-PLACE (IN.XXXXX)
DATE	EIGHT-PLACE (IN.XXXXX)
DATE	NINE-PLACE (IN.XXXXX)
DATE	TEN-PLACE (IN.XXXXX)
DATE	ELEVEN-PLACE (IN.XXXXX)
DATE	TWELVE-PLACE (IN.XXXXX)
DATE	THIRTEEN-PLACE (IN.XXXXX)
DATE	FOURTEEN-PLACE (IN.XXXXX)
DATE	FIFTEEN-PLACE (IN.XXXXX)
DATE	SIXTEEN-PLACE (IN.XXXXX)
DATE	SEVENTEEN-PLACE (IN.XXXXX)
DATE	EIGHTEEN-PLACE (IN.XXXXX)
DATE	NINETEEN-PLACE (IN.XXXXX)
DATE	TWENTY-PLACE (IN.XXXXX)
DATE	TWENTY-ONE PLACE (IN.XXXXX)
DATE	TWENTY-TWO PLACE (IN.XXXXX)
DATE	TWENTY-THREE PLACE (IN.XXXXX)
DATE	TWENTY-FOUR PLACE (IN.XXXXX)
DATE	TWENTY-FIVE PLACE (IN.XXXXX)
DATE	TWENTY-SIX PLACE (IN.XXXXX)
DATE	TWENTY-SEVEN PLACE (IN.XXXXX)
DATE	TWENTY-EIGHT PLACE (IN.XXXXX)
DATE	TWENTY-NINE PLACE (IN.XXXXX)
DATE	THIRTY PLACE (IN.XXXXX)
DATE	THIRTY-ONE PLACE (IN.XXXXX)
DATE	THIRTY-TWO PLACE (IN.XXXXX)
DATE	THIRTY-THREE PLACE (IN.XXXXX)
DATE	THIRTY-FOUR PLACE (IN.XXXXX)
DATE	THIRTY-FIVE PLACE (IN.XXXXX)
DATE	THIRTY-SIX PLACE (IN.XXXXX)
DATE	THIRTY-SEVEN PLACE (IN.XXXXX)
DATE	THIRTY-EIGHT PLACE (IN.XXXXX)
DATE	THIRTY-NINE PLACE (IN.XXXXX)
DATE	FOURTY PLACE (IN.XXXXX)
DATE	FOURTY-ONE PLACE (IN.XXXXX)
DATE	FOURTY-TWO PLACE (IN.XXXXX)
DATE	FOURTY-THREE PLACE (IN.XXXXX)
DATE	FOURTY-FOUR PLACE (IN.XXXXX)
DATE	FOURTY-FIVE PLACE (IN.XXXXX)
DATE	FOURTY-SIX PLACE (IN.XXXXX)
DATE	FOURTY-SEVEN PLACE (IN.XXXXX)
DATE	FOURTY-EIGHT PLACE (IN.XXXXX)
DATE	FOURTY-NINE PLACE (IN.XXXXX)
DATE	FIFTY PLACE (IN.XXXXX)
DATE	FIFTY-ONE PLACE (IN.XXXXX)
DATE	FIFTY-TWO PLACE (IN.XXXXX)
DATE	FIFTY-THREE PLACE (IN.XXXXX)
DATE	FIFTY-FOUR PLACE (IN.XXXXX)
DATE	FIFTY-FIVE PLACE (IN.XXXXX)
DATE	FIFTY-SIX PLACE (IN.XXXXX)
DATE	FIFTY-SEVEN PLACE (IN.XXXXX)
DATE	FIFTY-EIGHT PLACE (IN.XXXXX)
DATE	FIFTY-NINE PLACE (IN.XXXXX)
DATE	SIXTY PLACE (IN.XXXXX)
DATE	SIXTY-ONE PLACE (IN.XXXXX)
DATE	SIXTY-TWO PLACE (IN.XXXXX)
DATE	SIXTY-THREE PLACE (IN.XXXXX)
DATE	SIXTY-FOUR PLACE (IN.XXXXX)
DATE	SIXTY-FIVE PLACE (IN.XXXXX)
DATE	SIXTY-SIX PLACE (IN.XXXXX)
DATE	SIXTY-SEVEN PLACE (IN.XXXXX)
DATE	SIXTY-EIGHT PLACE (IN.XXXXX)
DATE	SIXTY-NINE PLACE (IN.XXXXX)
DATE	SEVENTY PLACE (IN.XXXXX)
DATE	SEVENTY-ONE PLACE (IN.XXXXX)
DATE	SEVENTY-TWO PLACE (IN.XXXXX)
DATE	SEVENTY-THREE PLACE (IN.XXXXX)
DATE	SEVENTY-FOUR PLACE (IN.XXXXX)
DATE	SEVENTY-FIVE PLACE (IN.XXXXX)
DATE	SEVENTY-SIX PLACE (IN.XXXXX)
DATE	SEVENTY-SEVEN PLACE (IN.XXXXX)
DATE	SEVENTY-EIGHT PLACE (IN.XXXXX)
DATE	SEVENTY-NINE PLACE (IN.XXXXX)
DATE	EIGHTY PLACE (IN.XXXXX)
DATE	EIGHTY-ONE PLACE (IN.XXXXX)
DATE	EIGHTY-TWO PLACE (IN.XXXXX)
DATE	EIGHTY-THREE PLACE (IN.XXXXX)
DATE	EIGHTY-FOUR PLACE (IN.XXXXX)
DATE	EIGHTY-FIVE PLACE (IN.XXXXX)
DATE	EIGHTY-SIX PLACE (IN.XXXXX)
DATE	EIGHTY-SEVEN PLACE (IN.XXXXX)
DATE	EIGHTY-EIGHT PLACE (IN.XXXXX)
DATE	EIGHTY-NINE PLACE (IN.XXXXX)
DATE	NINETY PLACE (IN.XXXXX)
DATE	NINETY-ONE PLACE (IN.XXXXX)
DATE	NINETY-TWO PLACE (IN.XXXXX)
DATE	NINETY-THREE PLACE (IN.XXXXX)
DATE	NINETY-FOUR PLACE (IN.XXXXX)
DATE	NINETY-FIVE PLACE (IN.XXXXX)
DATE	NINETY-SIX PLACE (IN.XXXXX)
DATE	NINETY-SEVEN PLACE (IN.XXXXX)
DATE	NINETY-EIGHT PLACE (IN.XXXXX)
DATE	NINETY-NINE PLACE (IN.XXXXX)
DATE	HUNDRED PLACE (IN.XXXXX)

8 7 6 5 4 3 2 1

H
G
F
E
D
C
B
A







00 G35B

TITLE: WATER SYSTEM INSTL	
NO. OF SHEETS: 4	SHEET NO. 4
DATE: 1/16	133872