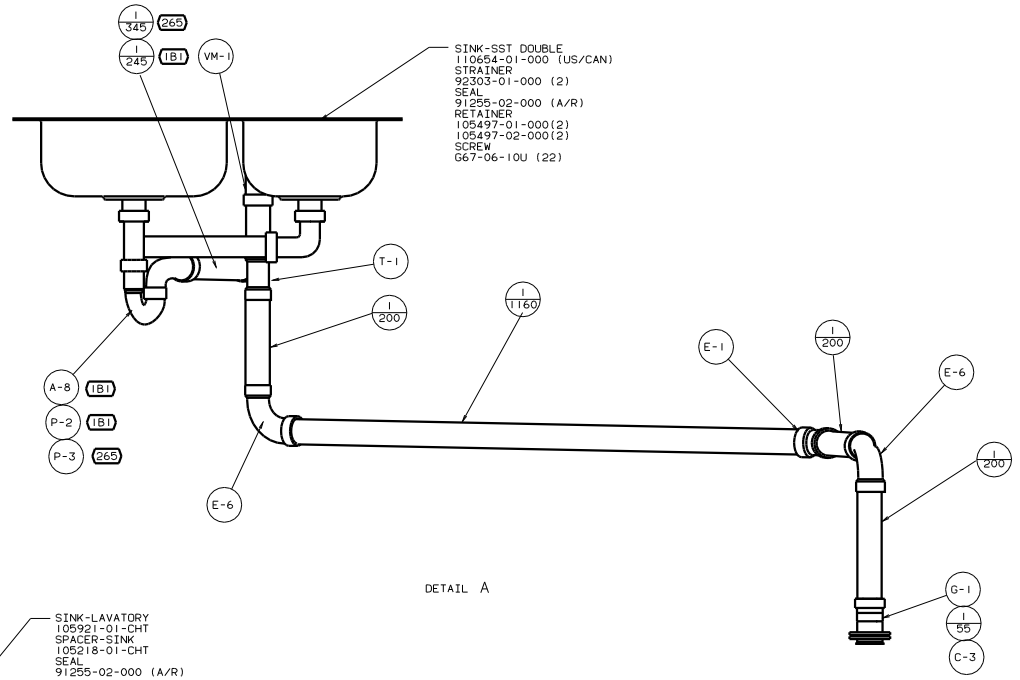


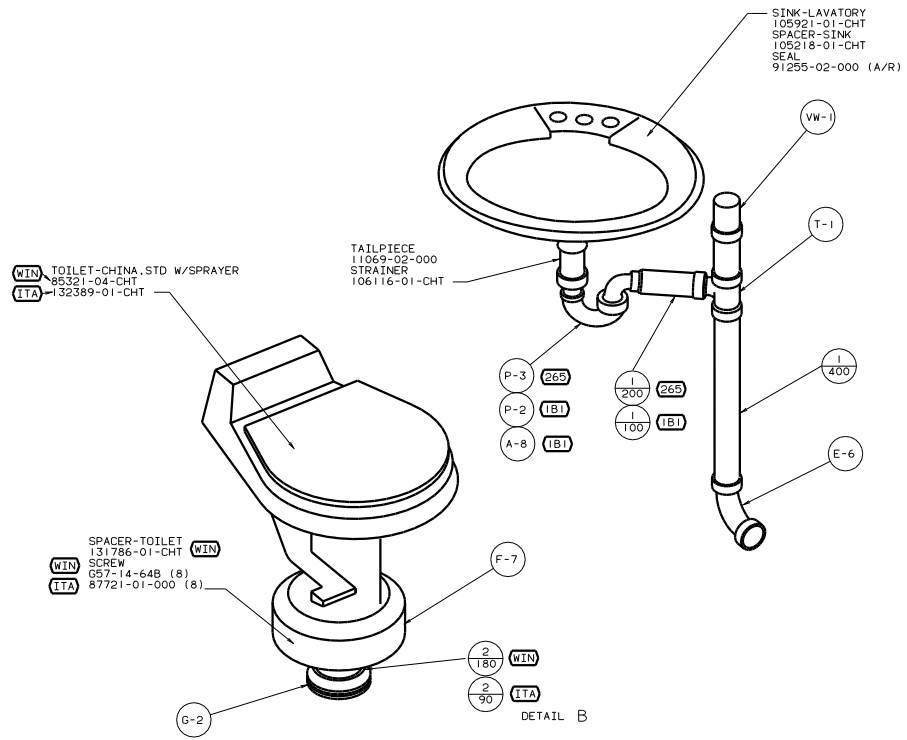
- ③ SECURE VENT TUBES TO FLOOR WITH BRACKET.
- 8. VENT PIPE MUST PROJECT 51 MM MIN AND 64 MM MAX ABOVE ROOF FOR PROPER FIT AND FUNCTION.
- 7. SEE DWG 61607-01-000 FOR INSTL OF GROMMETS.
- 6. SEAL ALL AROUND SHOWER WITH SILICONE.
- 5. EXPOSED PIPE ABOVE ROOF TO BE PAINTED WITH 37163-01-000.
- 4. ALL EXTERIOR OPENINGS AROUND PIPE TO BE SEALED WITH 11074-01-000.
- 3. ALL PIPE AND FITTINGS TO BE ASSEMBLED WITH SOLVENT 4020-01-000.
- 2. SLOPE OF TRAP ARM MUST BE 6 PER 305.
- 1. SLOPE OF HORIZONTAL PIPING TO BE 6 PER 305 MIN.

- (WIN)** WINNEBAGO ONLY
- (ITA)** ITASCA ONLY
- (C65)** CODES/STANDARDS-CSA/CMVSS
- (TBT)** CODES/STANDARDS USA

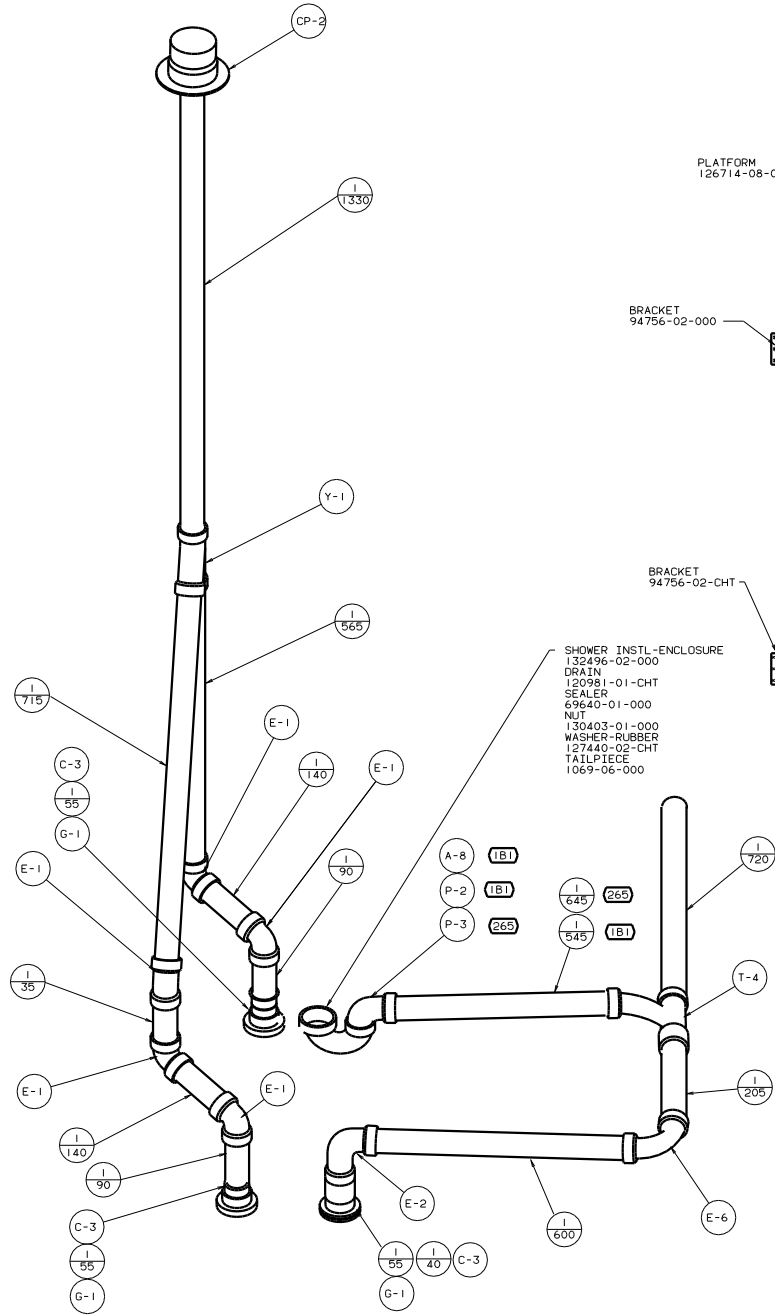
WINNEBAGO		00 G32V
OF IN	DATE	UNDESIGNED TOLERANCES ARE:
CHP	DATE	WHOLE DIM (1:1)
PIE	DATE	ONE-PLACE (1:1)
D/E	DATE	TWO-PLACE (1:1)
CON	DATE	THREE-PLACE (1:1)
LAYOUT: G37G		TITLE: DRAINAGE SYSTEM INSTL
REV #	SCALE	NOTE
ALL DIMENSIONS ARE IN MILLIMETERS	SHEET 1 OF 4	FIG NO 133213



DETAIL A



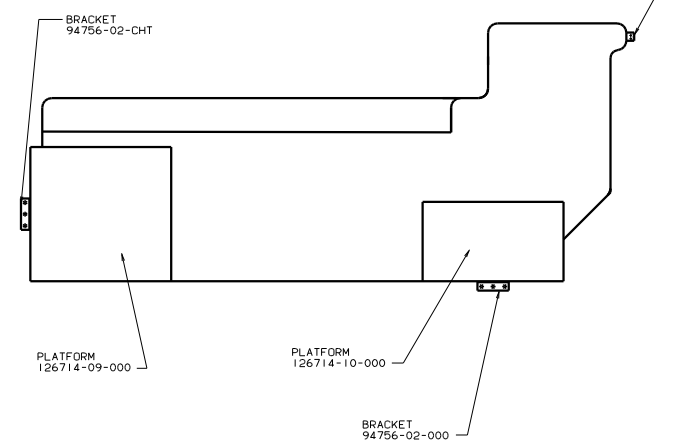
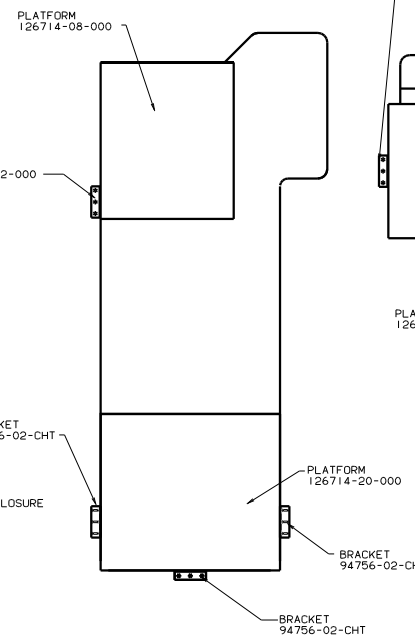
DETAIL B



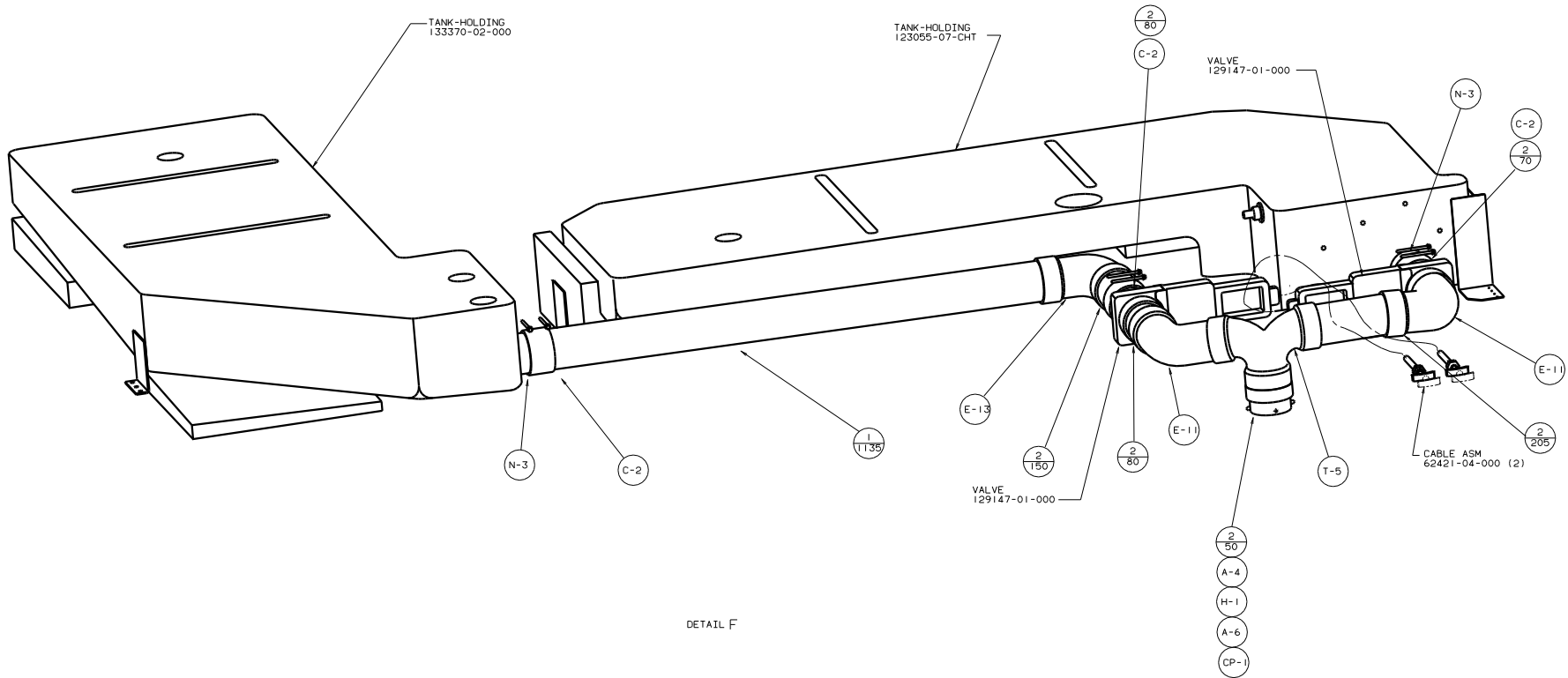
SHOWER INSTL-ENCLOSURE
 132496-02-000
 DRAIN
 120981-01-CHT
 SEALER
 69640-01-000
 NUT
 130403-01-000
 WASHER-RUBBER
 127440-02-CHT
 TAILPIECE
 1069-06-000

- A-8 (1B1)
- P-2 (1B1)
- P-3 (265)
- I 645 (265)
- I 545 (1B1)

DETAIL C



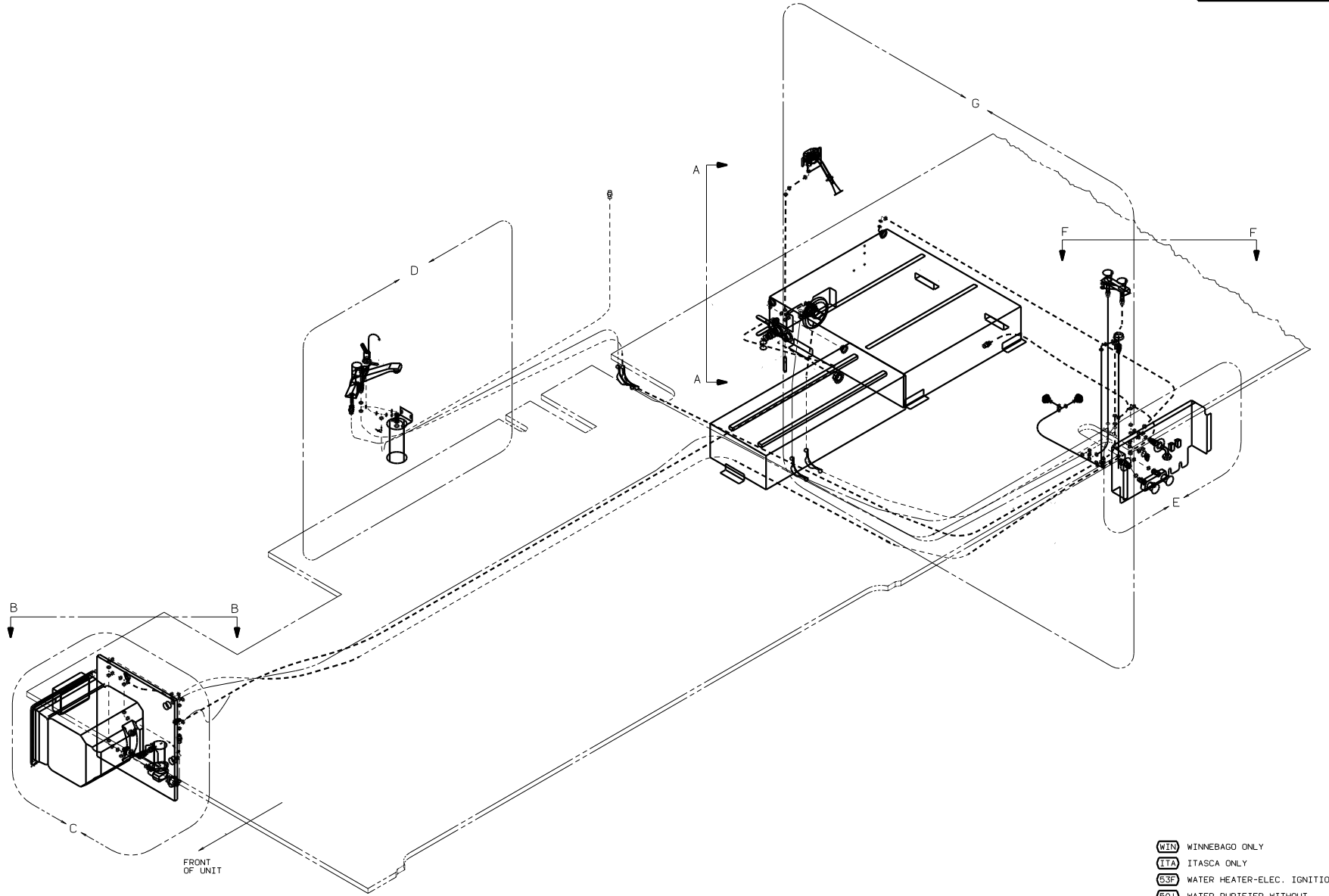
VIEW E-E



DETAIL F

00 G32V

TITLE: DRAINAGE SYSTEM INSTL	
NO. OF SHEETS: 4	REV. NO: 1
SHEET 4 OF 4	
133213	



FRONT OF UNIT

- NOTES:
- 6. ADD TEFLON TAPE 10405-02-000 TO FITTING.
 - 5. USE DETAIL "J" IN THIS AREA (BOTH ENDS OF TUBING).
 - 4. FLUSHING SYSTEM REQUIRES 125697-06-000 INSTRUCTION SHEET.
 - 3. ALL TUBING TO BE SECURED AT 1200 INTERVALS MAX WITH CLAMP 10495-01-000 OR CLIP 91951-01-000 AND SCREW G67-10-12B.
 - 2. TUBING TO BE INSTALLED WITH SUFFICIENT SLOPE TO PROVIDE DRAINAGE TO THE NEAREST VALVE.
 - 1. PLASTIC FITTINGS TO BE SEALED WITH SEALANT 84456-01-000.

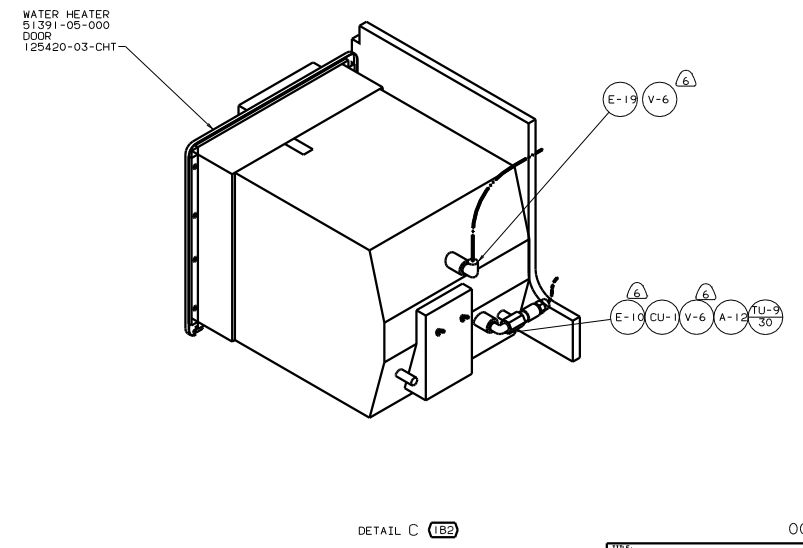
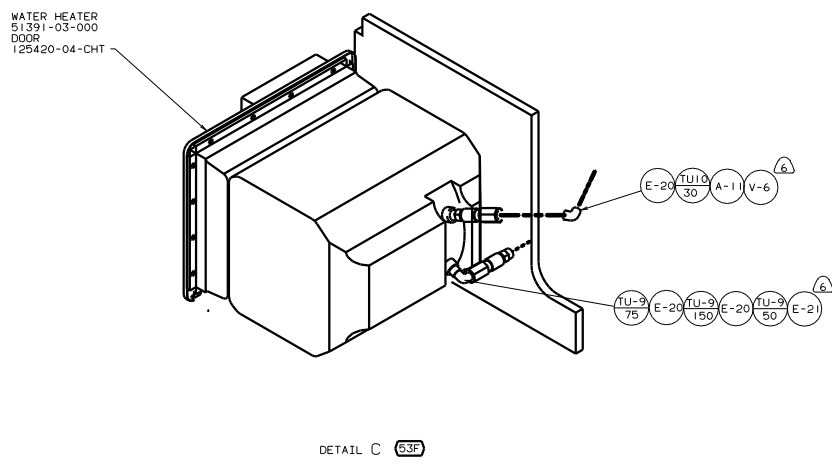
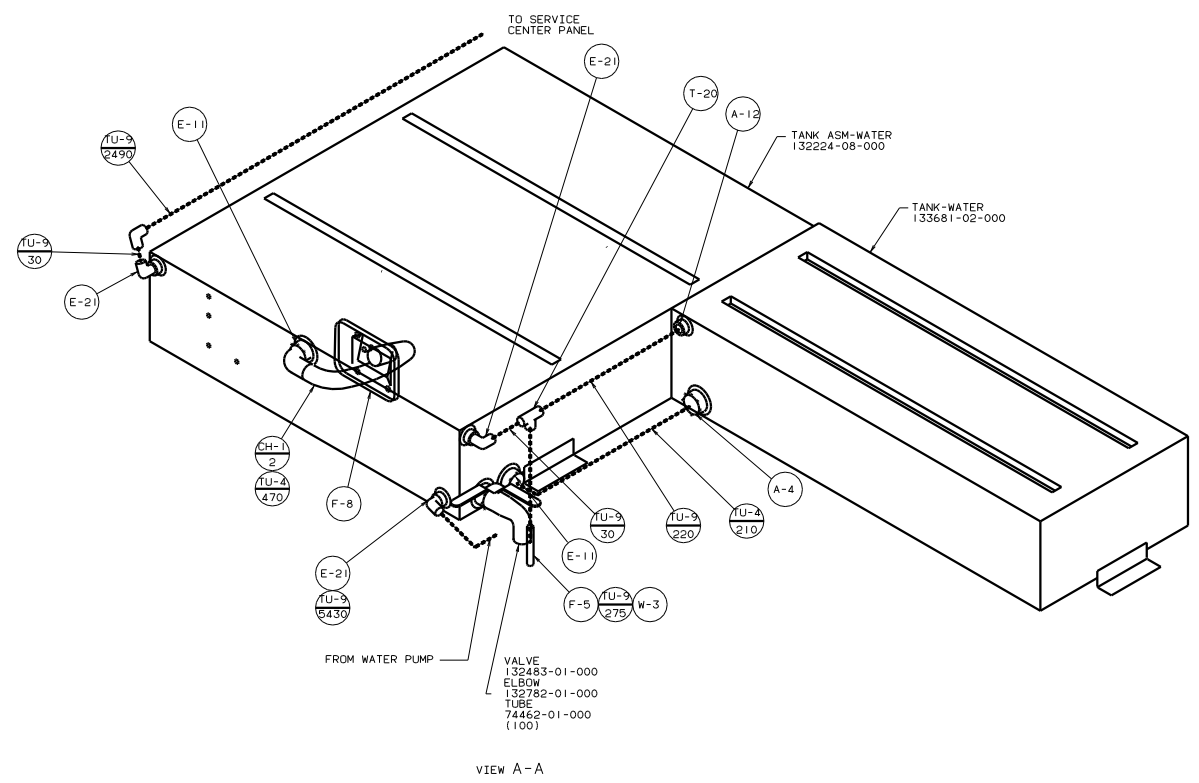
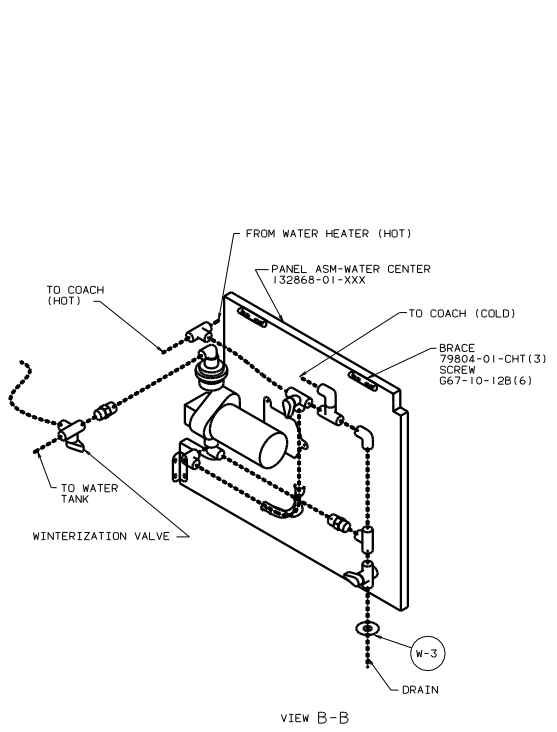
(X-X) FOR WATER CALLOUTS SEE DWG NO. 116230-01-000

- (WIN) WINNEBAGO ONLY
- (ITA) ITASCA ONLY
- (33F) WATER HEATER-ELEC. IGNITION
- (501) WATER PURIFIER WITHOUT
- (29B) WATER PURIFIER
- (15U) REFRIGERATOR/FRZR W/ICEMAKER
- (1B2) WTR HTR-10GAL/ELEC/LP/MTRAD

LEGEND	
HOT	●●●●●
COLD	●●●●●

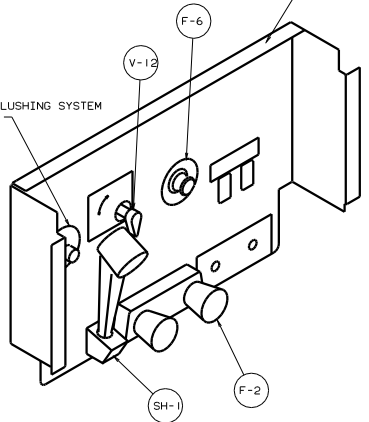
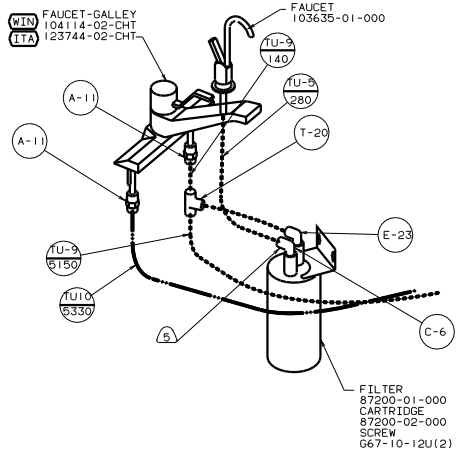
DATE		UNDESIGNED TOLERANCES ARE:	MATERIAL
DATE	DATE	WHOLE DIM (IN)	F
DATE	DATE	ONE-PLACE (IN.XX)	F
DATE	DATE	TWO-PLACE (IN.XXX)	F
DATE	DATE	THREE-PLACE (IN.XXX)	F
DATE	DATE	THREE-PLACE (IN.XXX)	F
DATE	DATE	THREE-PLACE (IN.XXX)	F
DATE	DATE	THREE-PLACE (IN.XXX)	F

LENGTH: 00AG32V TITLE: WATER SYSTEM INSTL
 DIA # SCALE: NONE TO THE SCALE SHOWN THE DIM
 ALL DIMENSIONS ARE IN MILLIMETERS SHEET 1 OF 4 1.6 NO 133893

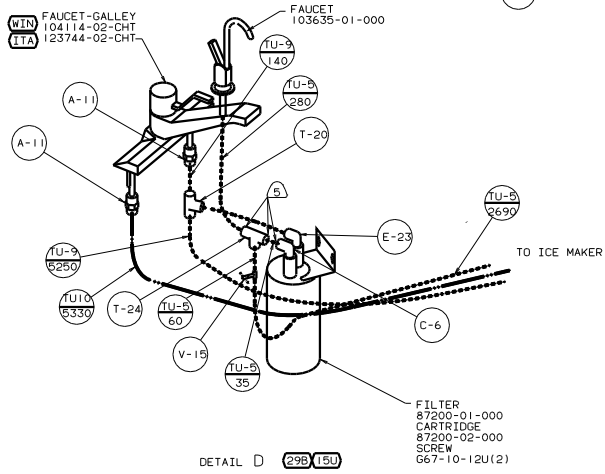
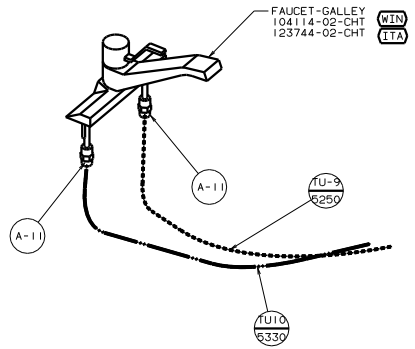
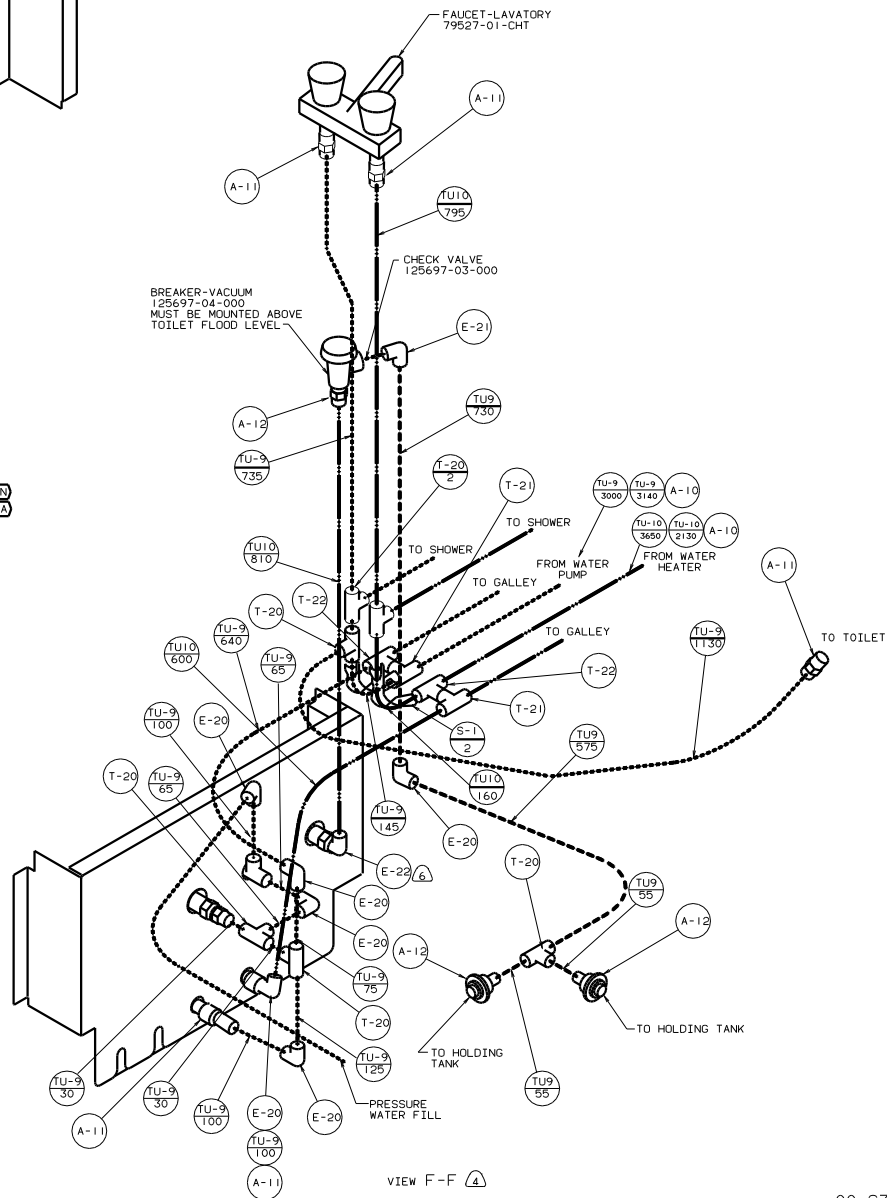


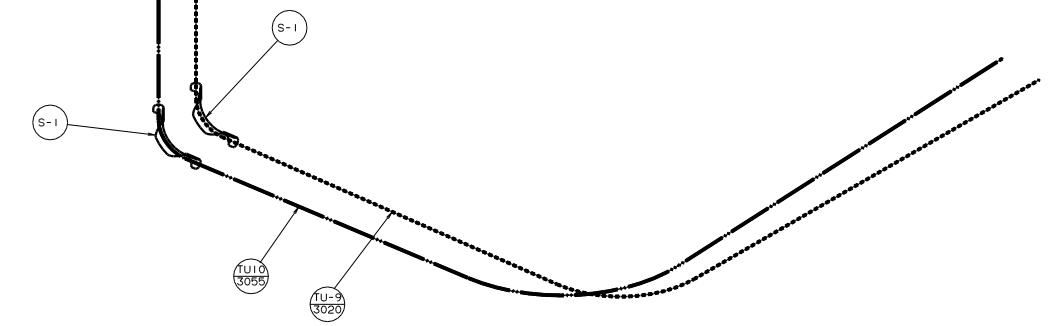
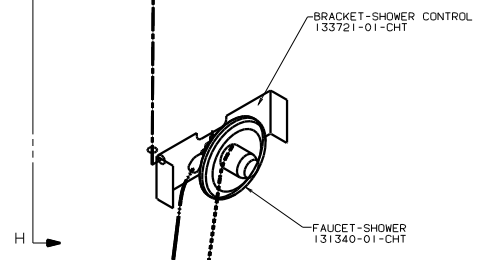
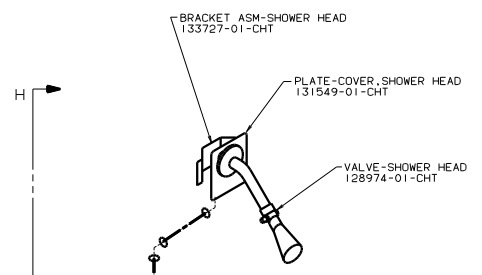
PANEL-SERVICE CENTER
132865-03-CHT
SCREW
G39-08-16B (4)

INLET-WATER_FLUSHING SYSTEM
125697-05-000

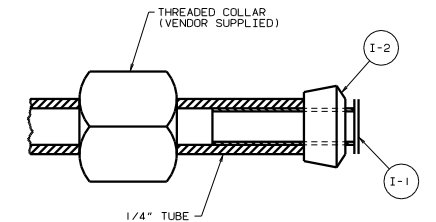
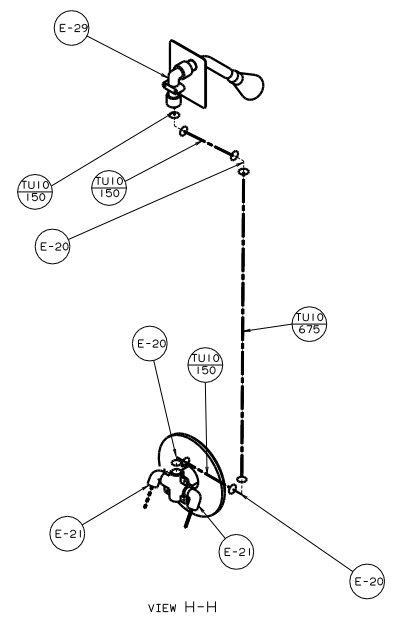


BREAKER-VACUUM
125697-04-000
MUST BE MOUNTED ABOVE
TOILET FLOOD LEVEL





DETAIL G



DETAIL J

TITLE: WATER SYSTEM INSTL	
NO. OF SHEETS: 4	SHEET 4 OF 4
REV. NO.	133893