

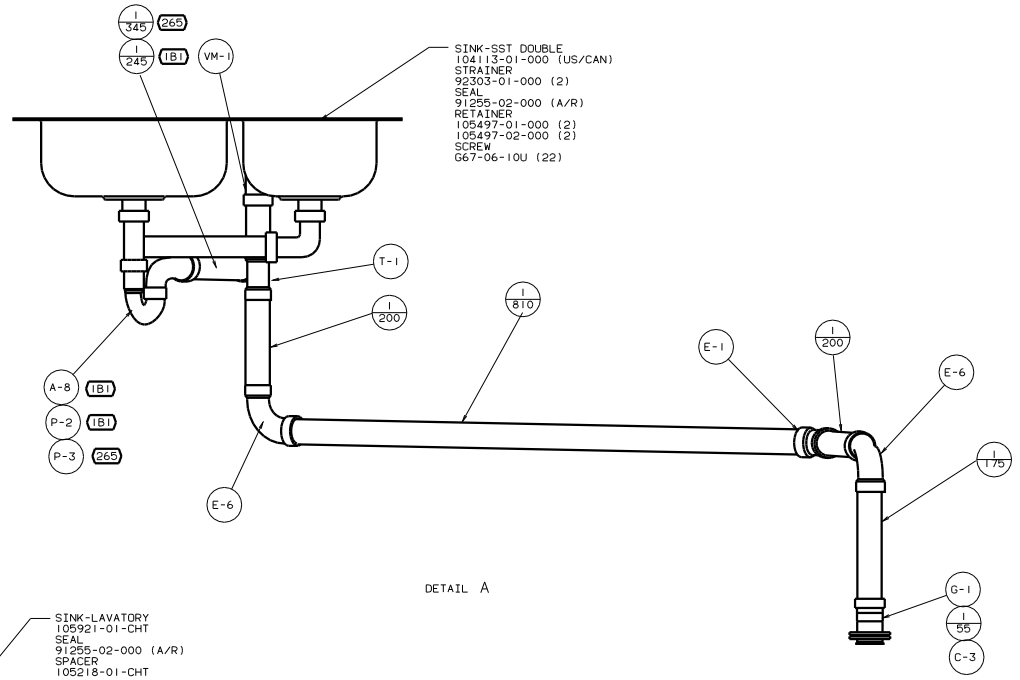
9. SECURE VENT TUBES TO FLOOR WITH BRACKET.
8. VENT PIPE MUST PROJECT 51 MM MIN AND 64 MM MAX ABOVE ROOF FOR PROPER FIT AND FUNCTION.
7. SEE DWG 61607-01-000 FOR INSTL OF GROMMETS.
6. SEAL ALL AROUND SHOWER WITH SILICONE.
5. EXPOSED PIPE ABOVE ROOF TO BE PAINTED WITH 37163-01-000.
4. ALL EXTERIOR OPENINGS AROUND PIPE TO BE SEALED WITH 11074-01-000.
3. ALL PIPE AND FITTINGS TO BE ASSEMBLED WITH SOLVENT 4020-01-000.
2. SLOPE OF TRAP ARM MUST BE 6 PER 305.
1. SLOPE OF HORIZONTAL PIPING TO BE 6 PER 305 MIN.

(265) CODES/STANDARDS-CSA/CMVSS
 (TBI) CODES/STANDARDS USA

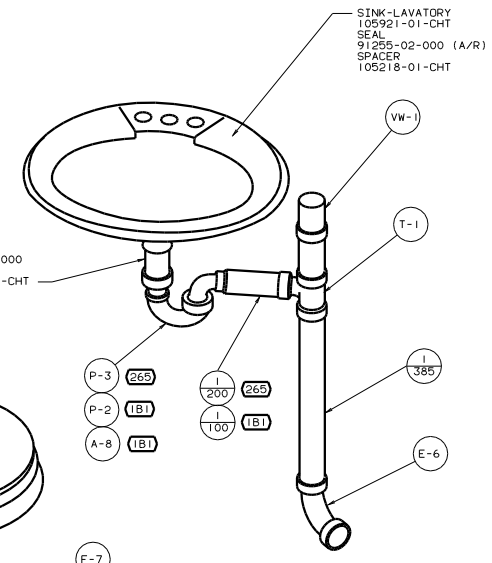
WINNEBAGO 00 F33V

OF IT	DATE	UNDESIGNED TOLERANCES ARE:	MATERIAL
CHP	DATE	HALF DIM (1:1)	
PIE	DATE	ONE-PLACE (1:1)	
D/E	DATE	TWO-PLACE (1:1)	
CON	DATE	THIRD-ANGLE PROJECTION	

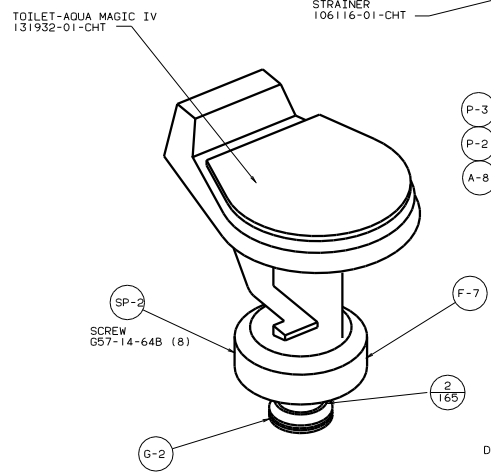
LAYOUT: F33V TITLE: DRAINAGE SYSTEM INSTL
 DIA # SCALE: NONE TO THE SCALE DRAWING SHEET 1 OF 4
 ALL DIMENSIONS ARE IN MILLIMETERS SHEET 1 OF 4

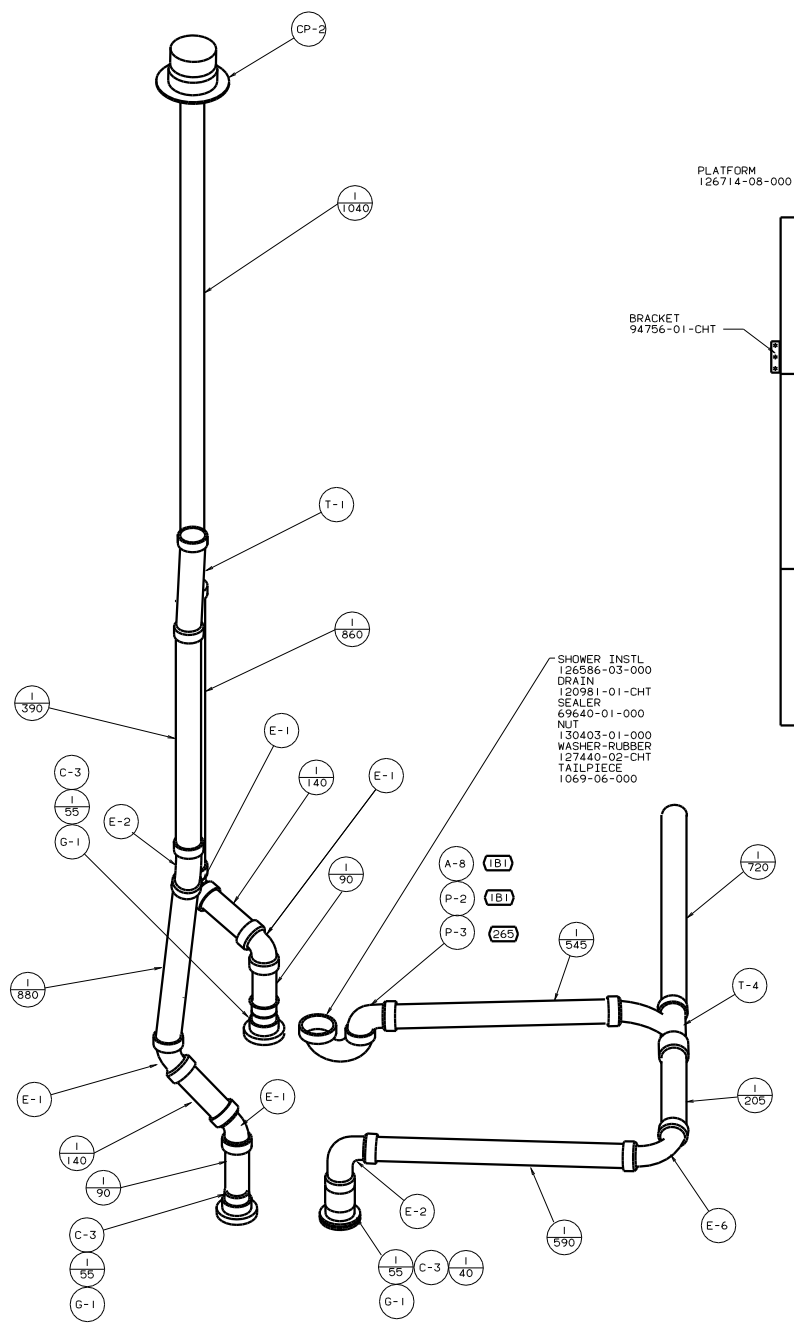


DETAIL A



DETAIL B





- SHOWER INSTL 126586-03-000
- DRAIN 120981-01-CHT
- SEALER 69640-01-000
- NUT 130403-01-000
- WASHER-RUBBER 127440-02-CHT
- TAILPIECE 1069-06-000

- A-8 (181)
- P-2 (181)
- P-3 (265)

DETAIL C

PLATFORM 126714-08-000

BRACKET 94756-01-CHT

BRACKET 94756-01-CHT

BRACKET 123284-01-000

PLATFORM 126714-09-000

PLATFORM 126714-10-000

BRACKET 94756-01-CHT

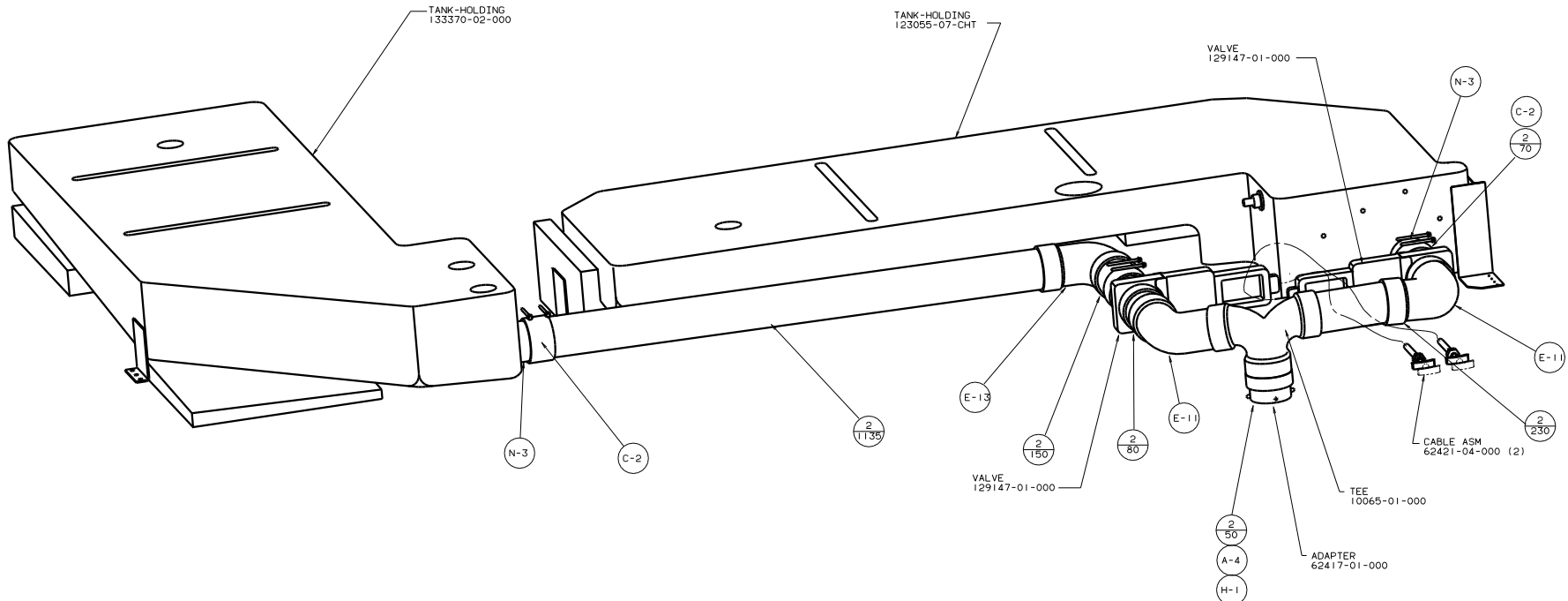
PLATFORM 126714-20-000

VIEW E-E

BRACKET 94756-01-CHT

00 F33V

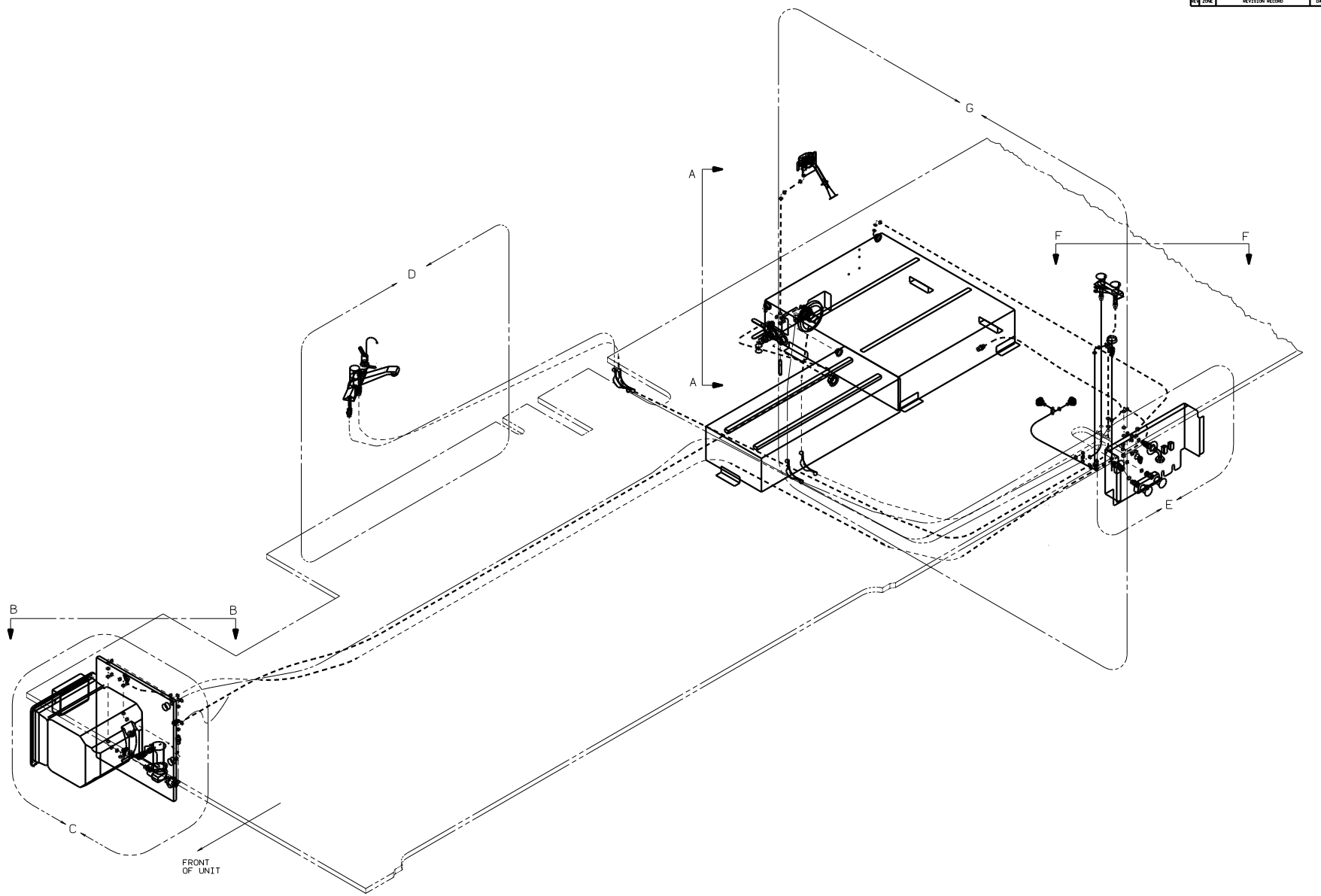
TITLE: DRAINAGE SYSTEM INSTL	
NO. OF SHEETS: 4	SHEET NO: 3
DATE: 1/16	REV: 1
130171	



DETAIL F

00 F33V

TITLE: DRAINAGE SYSTEM INSTL		REV: 1.0		Dwg No: 130171	
NO. OF SHEETS	OF TOTAL SHEETS	SHEET NO.	TOTAL SHEETS		
4	4	4	4		



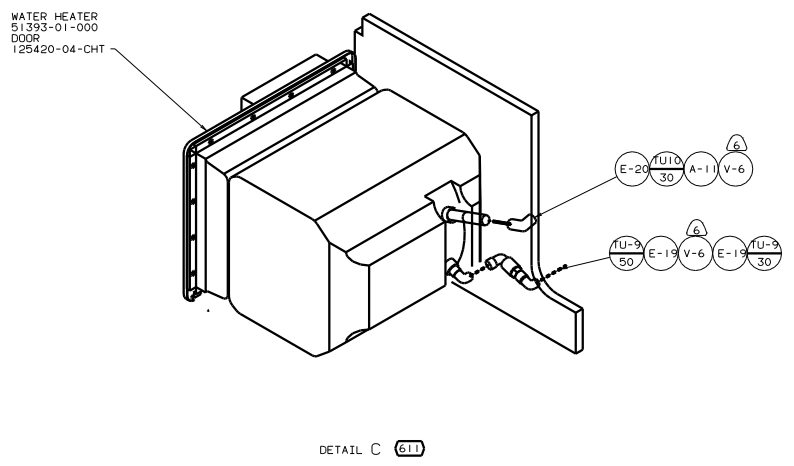
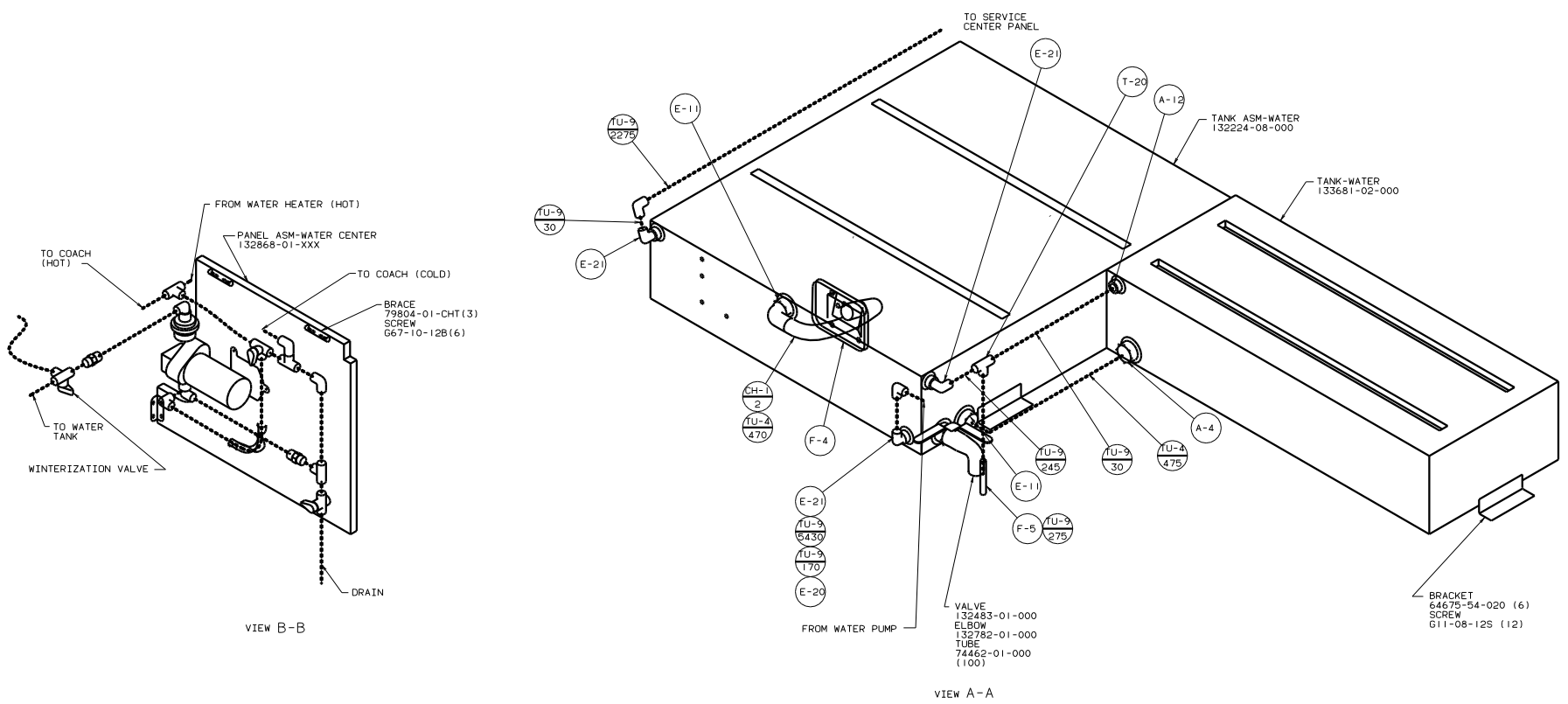
- NOTES:
1. PLASTIC FITTINGS TO BE SEALED WITH SEALANT 84456-01-000.
 2. TUBING TO BE INSTALLED WITH SUFFICIENT SLOPE TO PROVIDE DRAINAGE TO THE NEAREST VALVE.
 3. ALL TUBING TO BE SECURED AT 1200 INTERVALS MAX WITH CLAMP 10495-01-000 OR CLIP 91951-01-000 AND SCREW G67-10-12B.
 4. FLUSHING SYSTEM REQUIRES 125697-06-000 INSTRUCTION SHEET.
 5. USE DETAIL "J" IN THIS AREA (BOTH ENDS OF TUBING).
 6. ADD TEFLON TAPE 10405-02-000 TO FITTING.

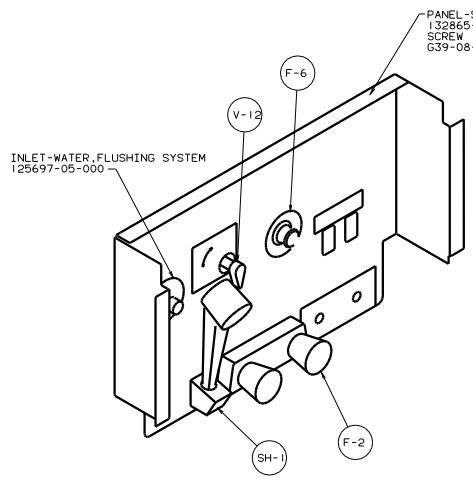
FOR WATER CALLOUTS SEE DWG NO. 116230-01-000

- (296) WATER PURIFIER
- (15U) REFRIGERATOR/FRZR W/ICEMAKER
- (611) WTR HTR-RR AUTO/MOTORAID

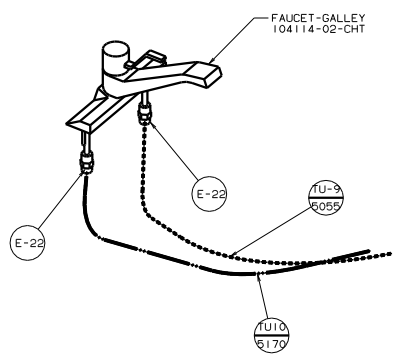
LEGEND	
HOT	●●●●●●
COLD	●●●●●●

		00 F33V	
		TITLE: WATER SYSTEM INSTL SHEET 1 OF 4	
REV	DATE	UNSPECIFIED TOLERANCES ARE:	MATERIAL
CHP	DATE	1/8" (1/16")	
DFE	DATE	1/8" (1/16")	
D/C	DATE	1/8" (1/16")	
CDR	DATE	1/8" (1/16")	
LAYOUT F-GEN 1/8" SCALE: NONE ALL DIMENSIONS ARE IN MILLIMETERS		1/8" SCALE: NONE SHEET 1 OF 4 130119	

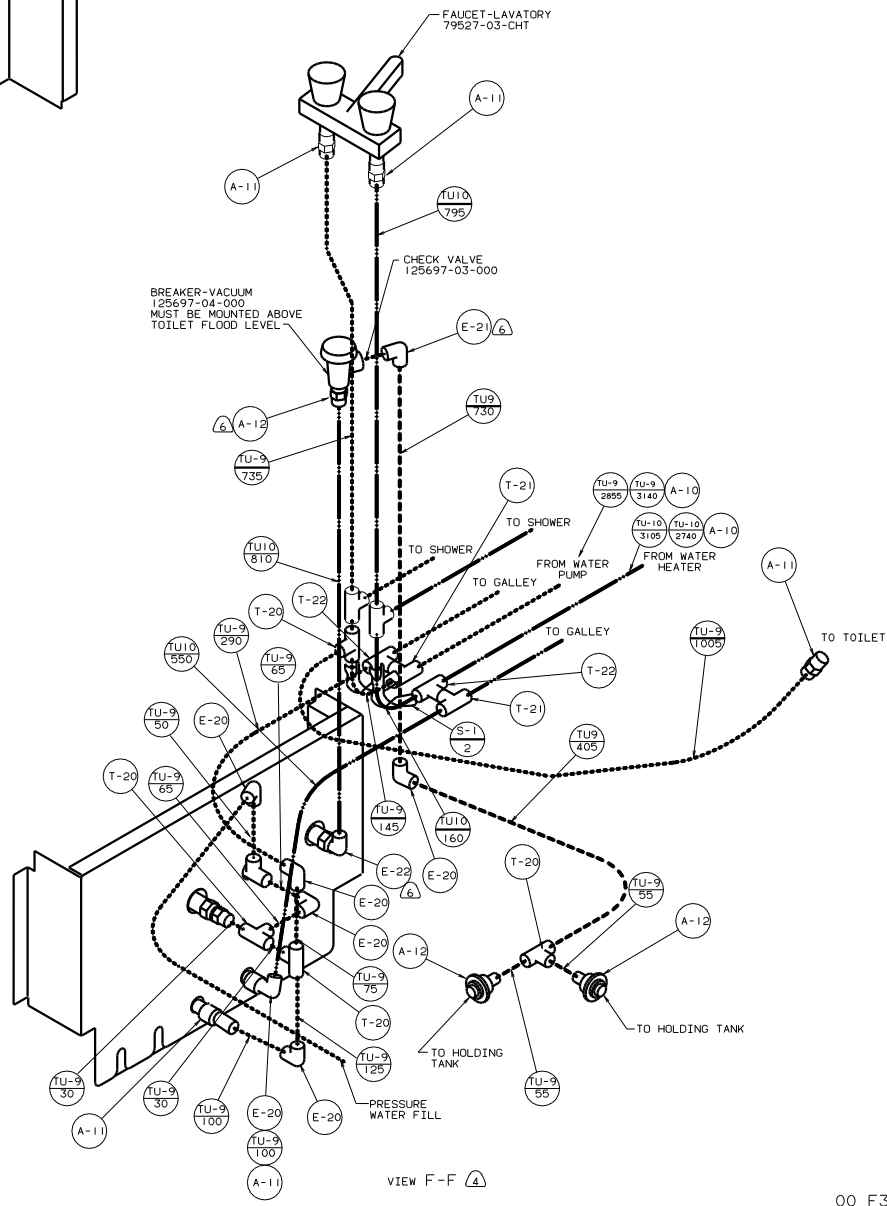




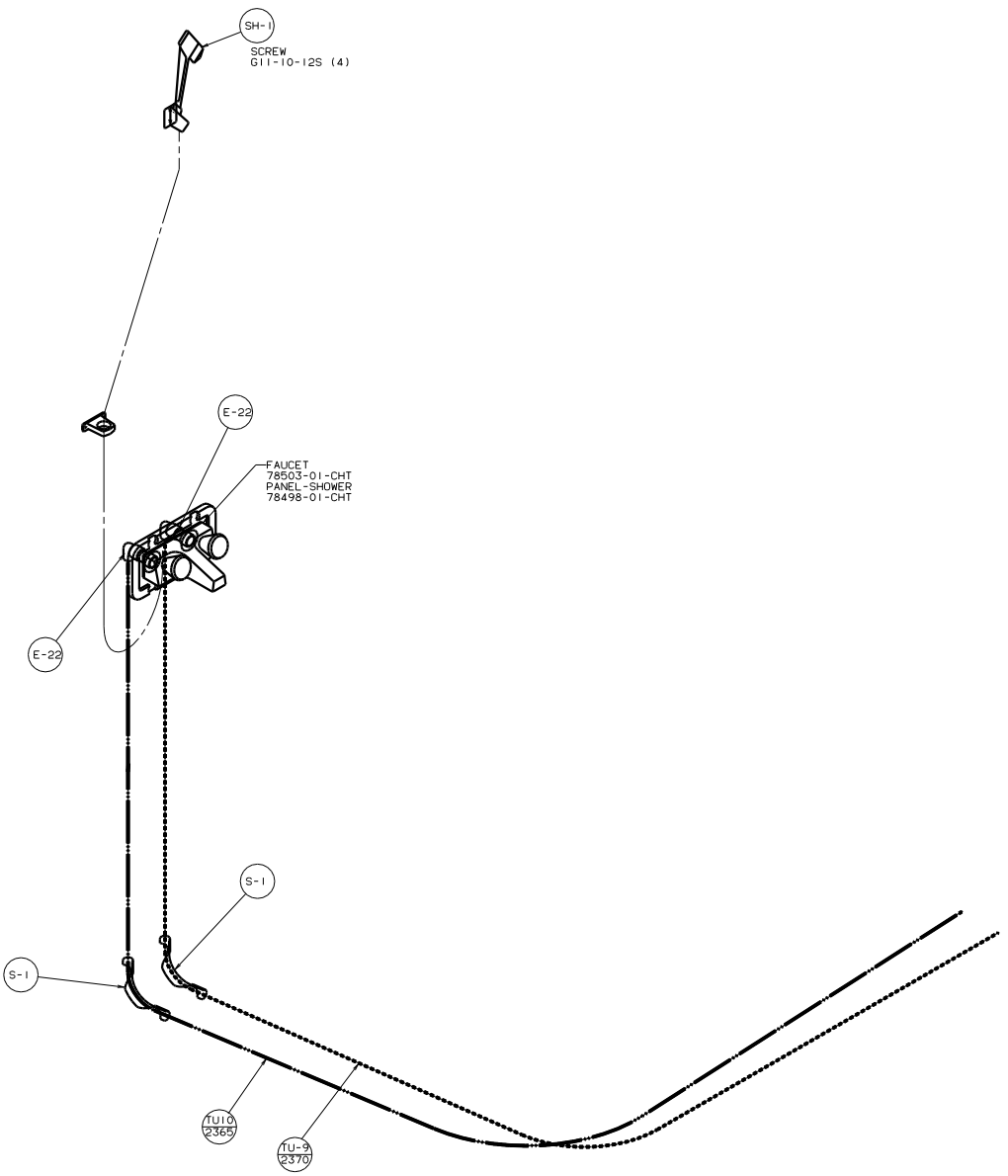
DETAIL E



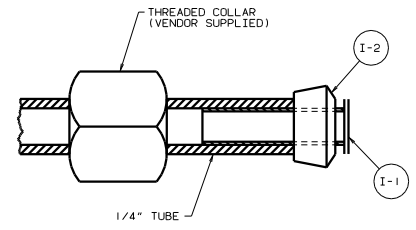
DETAIL D



VIEW F-F



DETAIL G



DETAIL J

00 F33V

TITLE: WATER SYSTEM INSTL	
DATE: 11/11/05	REV: 1
SHEET: 4 of 4	DWG NO: 130119