

10. SECURE VENT TUBES TO THE FLOOR.
9. VENT PIPE MUST BE PROJECTED 51 TO 64 MAXIMUM ABOVE ROOF FOR PROPER FIT AND FUNCTION.
8. SEE DRAWING 61607-01-000 FOR INSTALLATION OF GROMMET.
7. SEAL ALL AROUND SHOWER WITH SILICONE 78474-01-CHT.
6. FOR CANADIAN UNITS EACH HOLDING TANK SHALL HAVE A CSA APPROVAL STAMPED NEAR IAPMO APPROVAL.
5. EXPOSED PIPE ABOVE ROOF TO BE PAINTED 37163-01-000.
4. ALL EXTERIOR OPENINGS AROUND PIPE TO BE SEALED WITH 110744-01-000.
3. ALL PIPE AND FITTINGS TO BE ASSEMBLED WITH SOLVENT 4020-01-000.
2. SLOPE OF TRAP MUST BE 6 PER 300 MINIMUM.
1. SLOPE OF HORIZONTAL PIPING TO BE 6 PER 300 MINIMUM.

FOR DRAINAGE CALLOUTS SEE DWG NO. 116229-01-000

(265) CODES/STANDARDS-CSA/CMVSS  
 (1B1) CODES/STANDARDS USA

DATE		UNDESIGNED TECHNOLOGIES INC.	MATERIAL
DATE	DATE	ONE-PLATE (K.A.)	
DATE	DATE	TWO-PLATE (K.A.)	
DATE	DATE	MISC.	
DATE	DATE	INDU. WASTE	
DATE	DATE	PROJECTOR	

WINNEBAGO 00 F30A

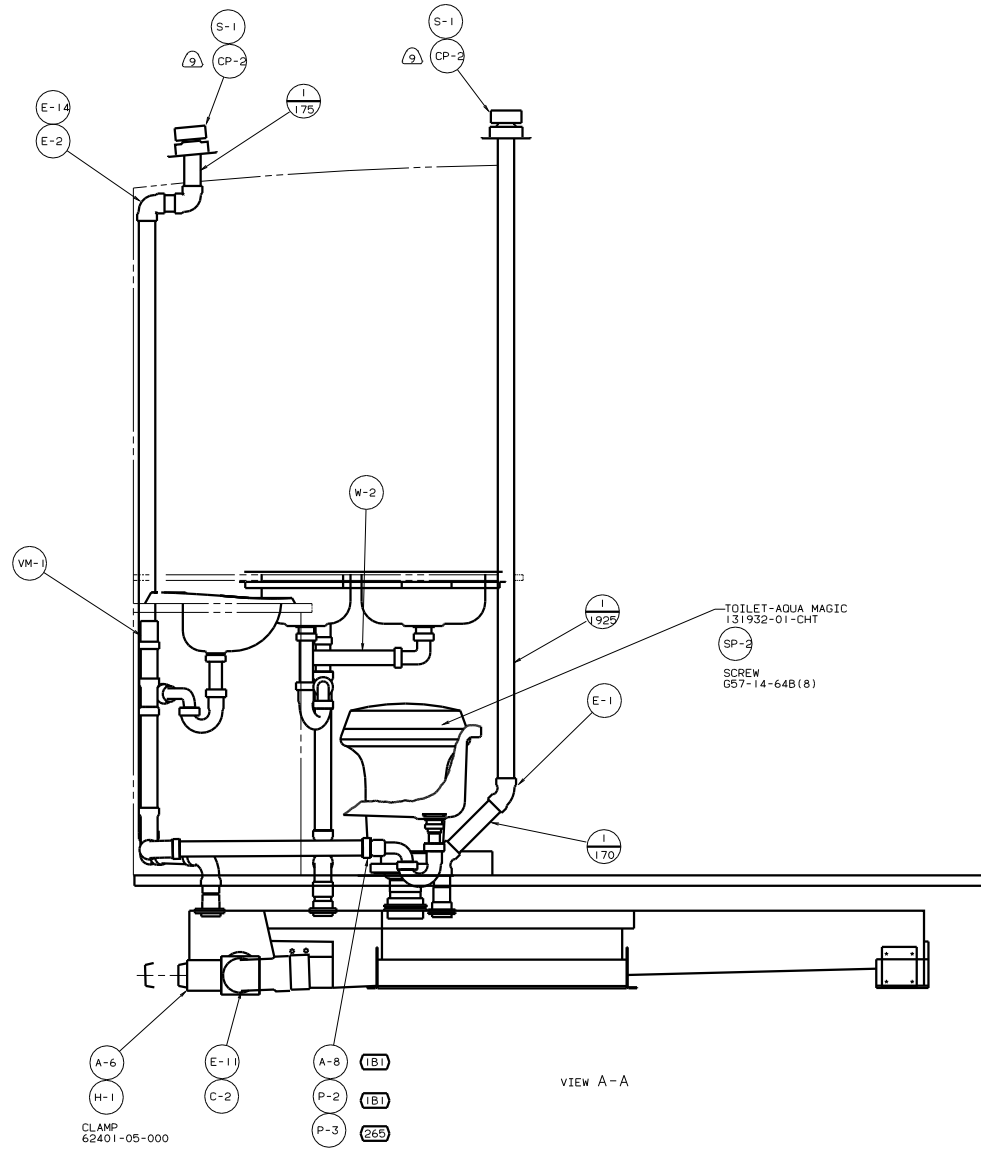
LAYOUT F30A TITLE: DRAINAGE SYSTEM INSTL

REV # SCALE: NONE TO THE SCALE SHOWN

DATE: 11/6/2005

SHEET 1 OF 2

DWG NO: 133944



VIEW A-A

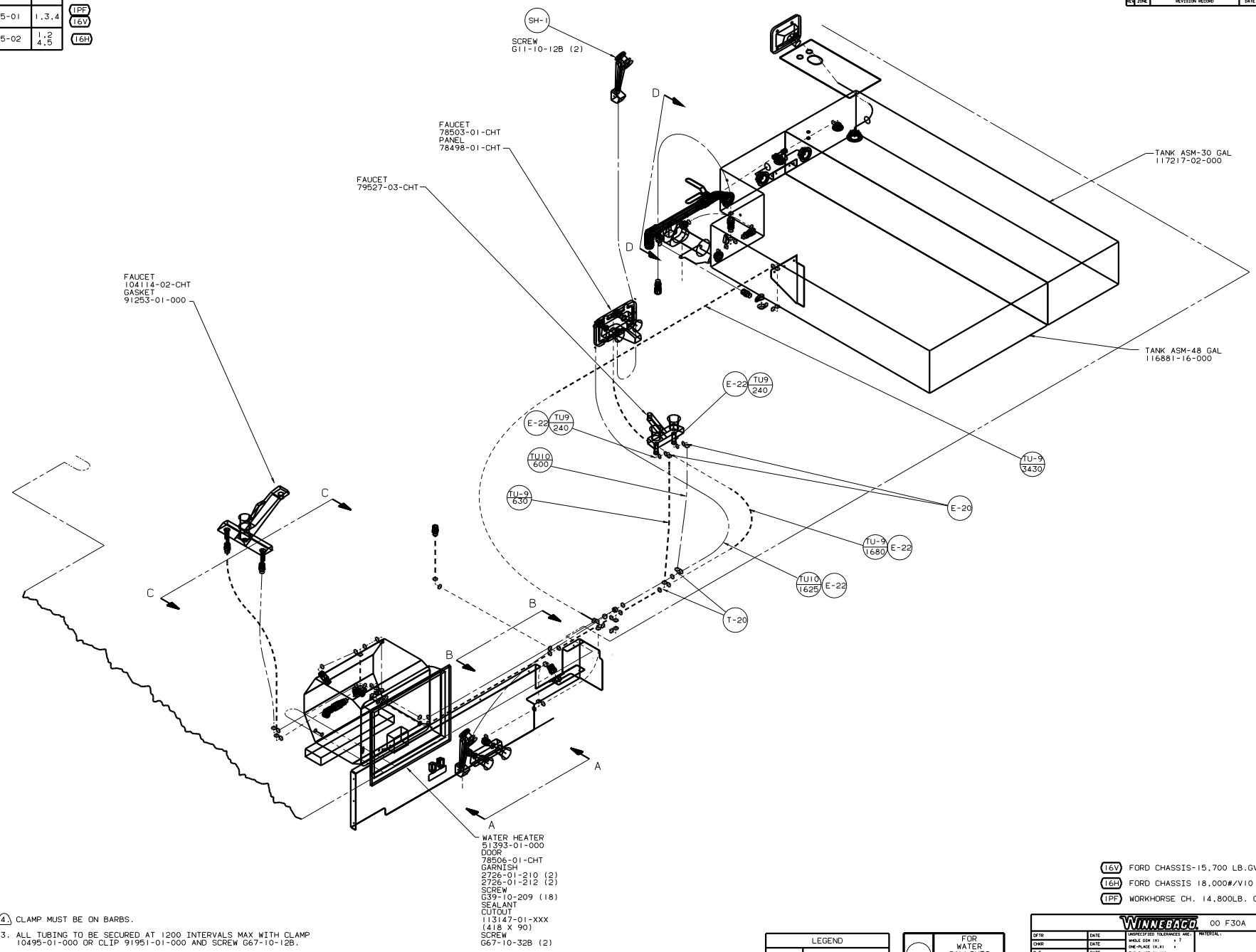
00 F30A

TITLE: DRAINAGE SYSTEM INSTL		DWG NO: 133944	
DATE: 2 of 2	REV: 1	REV: 1	DWG NO: 133944

DWG NO	SHEET
133945-01	1,3,4
133945-02	1,2 4,5

IPF  
16V  
16H

RELEASE BY DATE OF REV 133945  
REVISION RECORD DATE 8/19/05



- NOTES:
- CLAMP MUST BE ON BARBS.
  - ALL TUBING TO BE SECURED AT 1200 INTERVALS MAX WITH CLAMP 10495-01-000 OR CLIP 91951-01-000 AND SCREW G67-10-12B.
  - TUBING TO BE INSTALLED WITH SUFFICIENT SLOPE TO PROVIDE DRAINAGE TO THE NEAREST VALVE.
  - PLASTIC FITTINGS TO BE SEALED WITH SEALANT 84456-01-000.

- WATER HEATER  
51393-01-000  
DOOR  
78506-01-CHT  
GARNISH  
2726-01-210 (2)  
2726-01-212 (2)  
SCREW  
G39-10-209 (18)  
SEALANT  
CUTOUT  
113147-01-XXX  
(418 X 90)  
SCREW  
G67-10-32B (2)

**LEGEND**

HOT: [Symbol]

COLD: [Symbol]

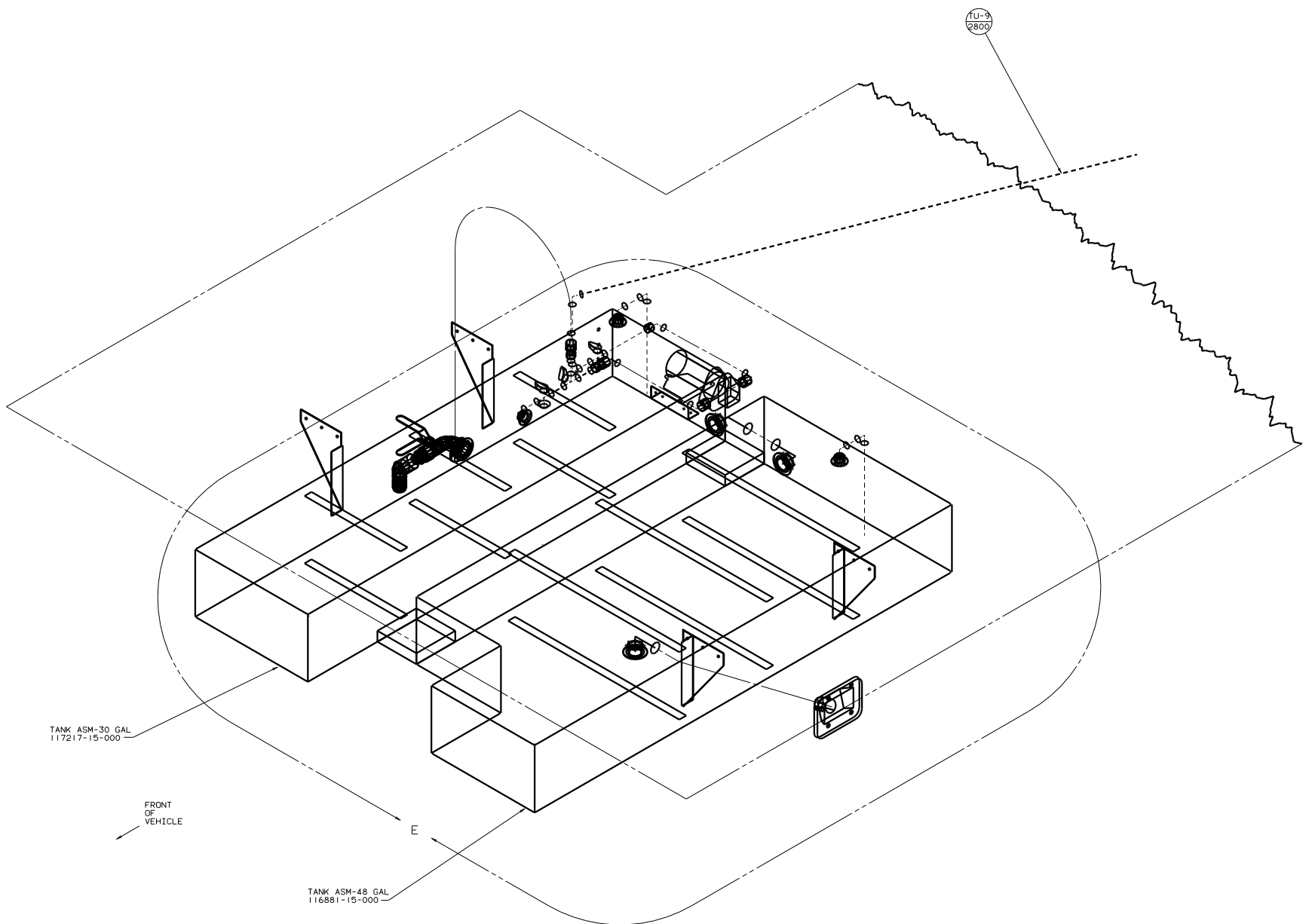
[X-X] FOR WATER CALLOUTS SEE DWG NO. 116230-01-000

- 16V FORD CHASSIS-15,700 LB.GWVR
- 16H FORD CHASSIS 18,000#/V10 ENG
- IPF WORKHORSE CH. 14,800LB. GWVR

**WINNEBAGO** 00 F30A

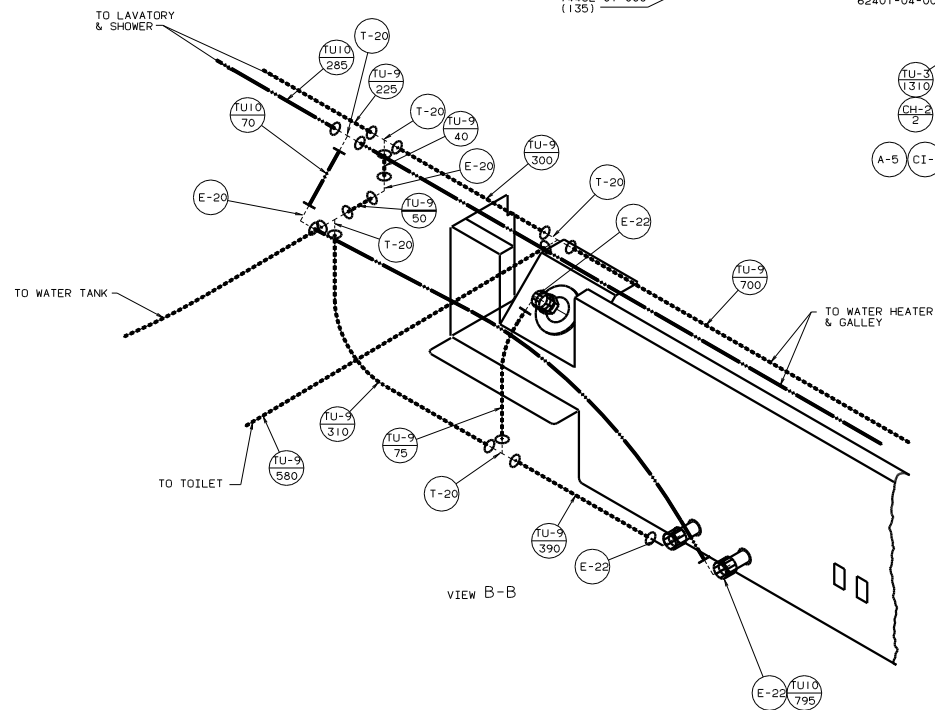
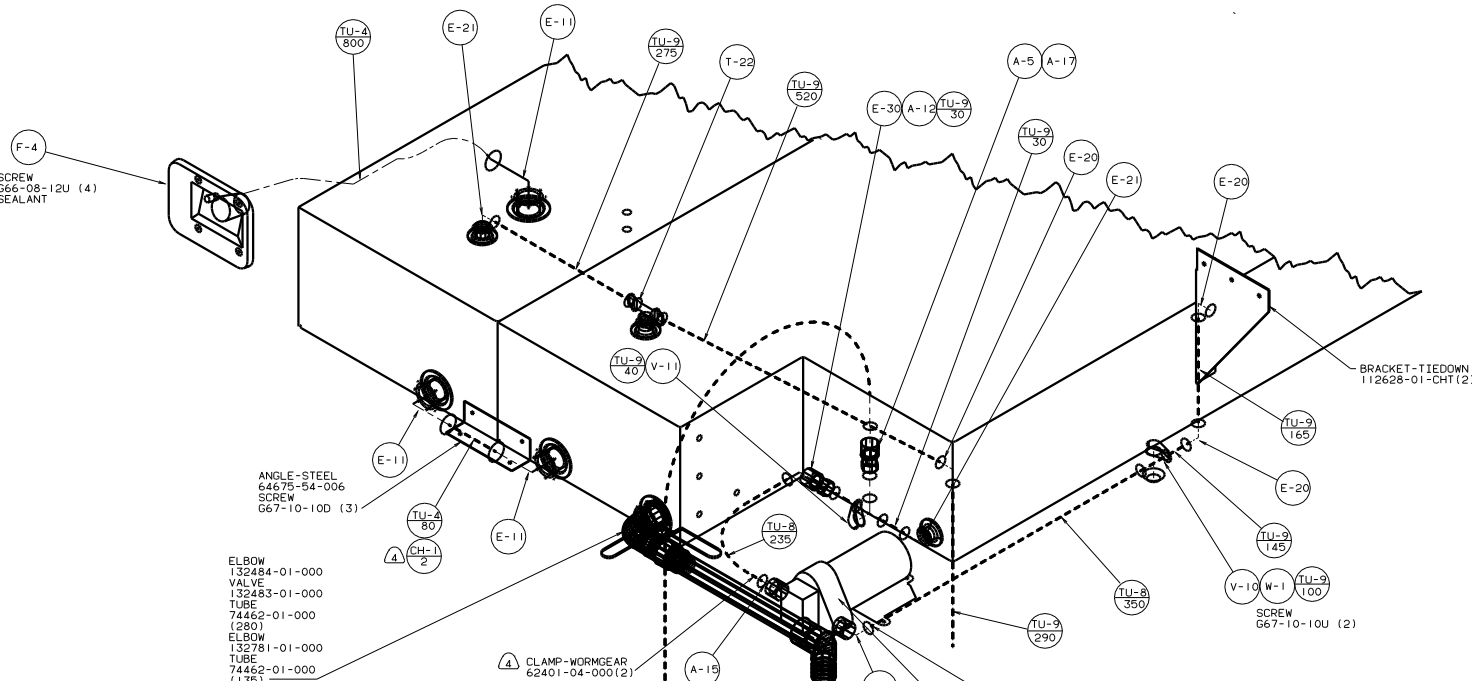
DATE	UNDESIGNED TECHNIQUES INC.	MATERIAL
DATE	WHOLE OR 1/2"	
DATE	ONE-PLACE (X.X)	
DATE	TWO-PLACE (X.XX)	
DATE	THREE-PLACE (X.XXX)	
DATE	INDUS. WASTE PRODUCTION	

LANE F30A TITLE: WATER SYSTEM INSTL  
REV # SCALE: NONE 20-100 SCALE: 2:1  
ALL DIMENSIONS ARE IN MILLIMETERS SHEET 1 OF 5 133945

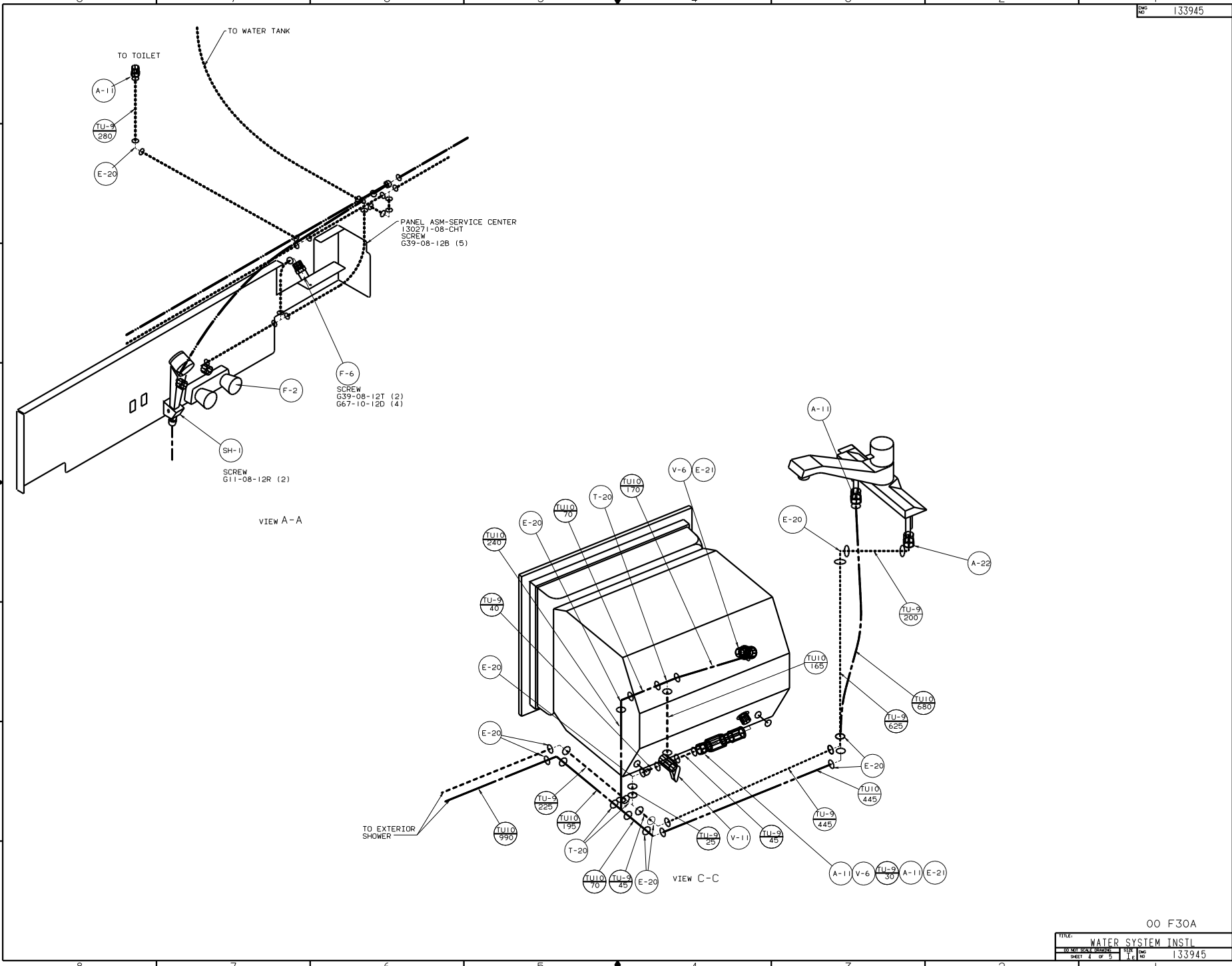


00 F30A

TITLE: WATER SYSTEM INSTL		Doc No	133945
30 DAY SCALE DRAWING	2 of 5	1 of 1	

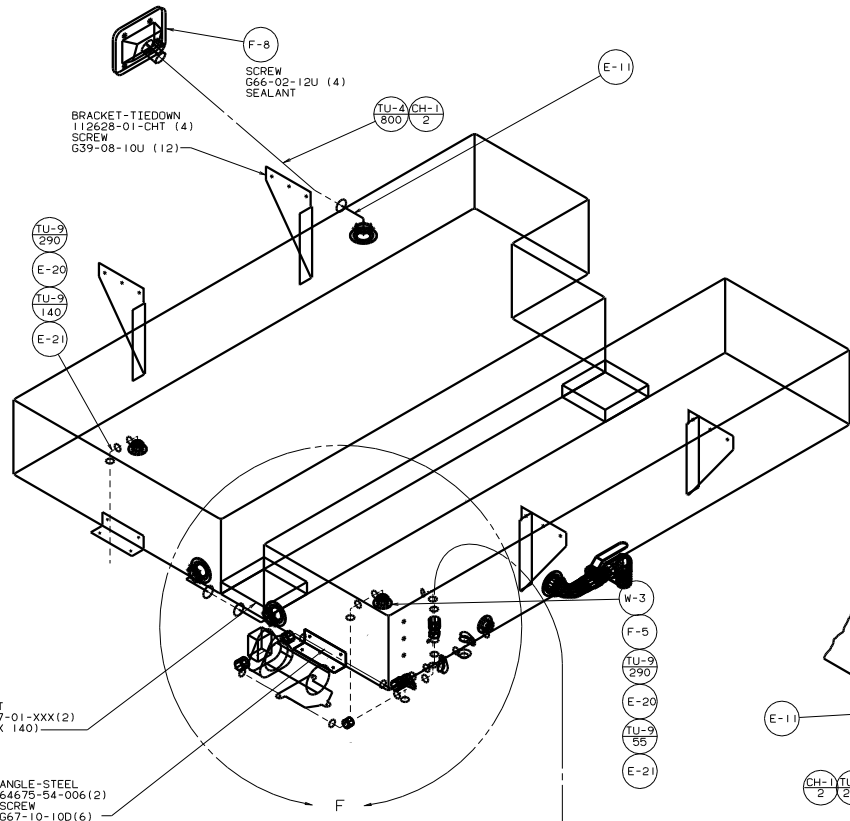


VIEW D-D

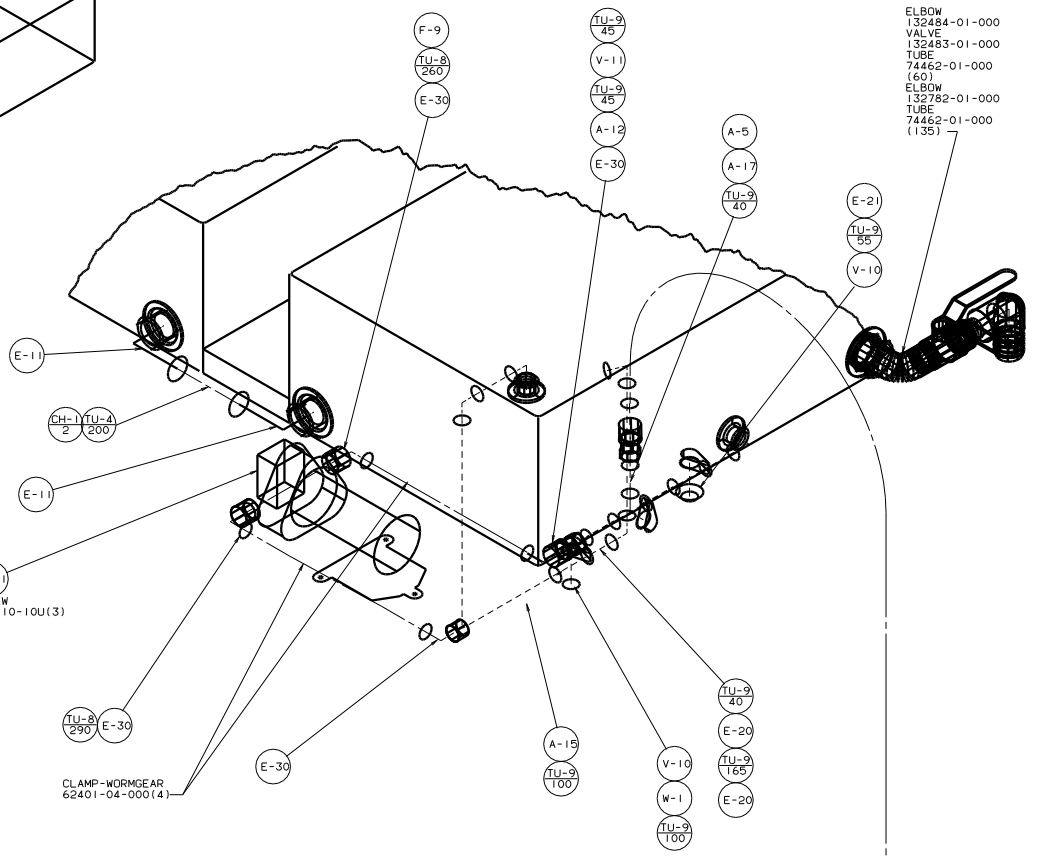


00 F30A

TITLE		WATER SYSTEM INSTL	
NO	REV	DATE	BY
1	1		
SHEET 4 OF 5		133945	



DETAIL E



DETAIL F

00 F30A

TITLE		WATER SYSTEM INSTL	
NO. OF SHEETS	5	SHEET NO.	5
DATE	11/16	DESIGNER	133945