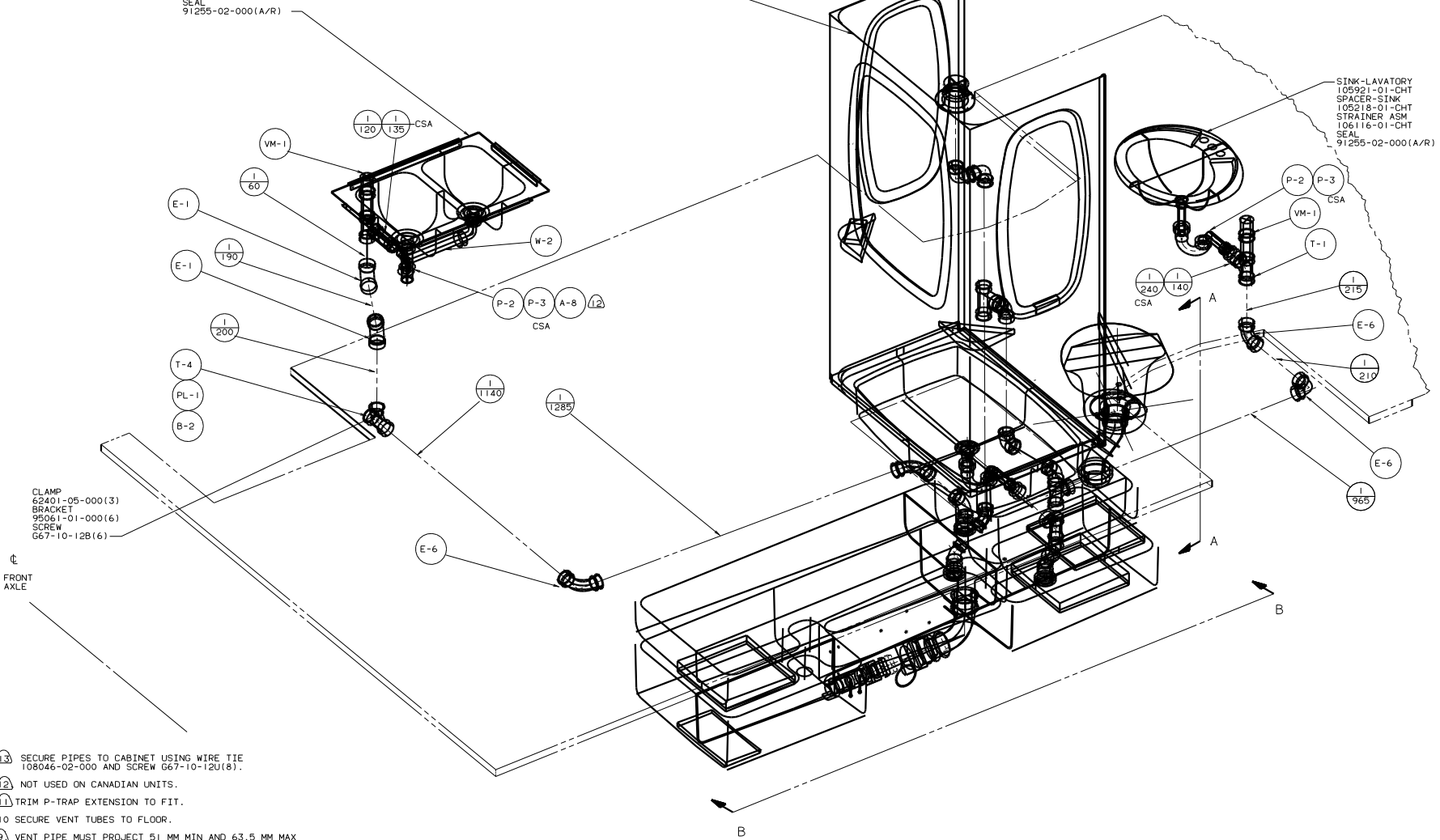


- SINK-SST\_DOUBLE  
 104113-01-000(US/CAN)  
 RETAINER  
 105497-01-000(2)  
 SCREW  
 105497-02-000 (2)  
 SCREW  
 G67-06-10U(8)  
 STRAINER W/BASKET  
 92303-01-000(2)  
 SEAL  
 91255-02-000(A/R)

- SHOWER SURROUND  
 104464-03-CHT  
 SHOWER ENCLOSURE INSTL  
 104466-01-000  
 TAILPIECE  
 11069-02-000  
 WASHER  
 127440-02-CHT  
 NUT  
 130403-01-000  
 STRAINER-TUB, SHOWER DRAIN  
 66729-01-000  
 SEALANT

- SINK-LAVATORY  
 105921-01-CHT  
 SPACER-SINK  
 105218-01-CHT  
 STRAINER ASM  
 106116-01-CHT  
 SEAL  
 91255-02-000(A/R)



- CLAMP  
 62401-05-000(3)  
 BRACKET  
 95061-01-000(6)  
 SCREW  
 G67-10-12B(6)

FRONT AXLE

- (A) SECURE PIPES TO CABINET USING WIRE TIE 108046-02-000 AND SCREW G67-10-12U(8).  
 (B) NOT USED ON CANADIAN UNITS.  
 (C) TRIM P-TRAP EXTENSION TO FIT.  
 10 SECURE VENT TUBES TO FLOOR.  
 (D) VENT PIPE MUST PROJECT 51 MM MIN AND 63.5 MM MAX ABOVE ROOF FOR PROPER FIT AND FUNCTION.  
 8. SEE DWG 61607-01-000 FOR INSTL OF GROMMETS.  
 7. SEAL ALL AROUND SHOWER WITH SILICONE.  
 6. FOR CAN UNITS EACH HOLDING TANK SHALL HAVE A CSA APPROVAL STAMPED NEAR THE IAMPO APPROVAL.  
 5. EXPOSED PIPE ABOVE ROOF TO BE PAINTED 37163-01-000.  
 4. ALL EXTERIOR OPENINGS AROUND PIPE TO BE SEALED WITH 110744-01-000.  
 3. ALL PIPE AND FITTINGS TO BE ASSEMBLED WITH SOLVENT 4020-01-000.  
 2. SLOPE OF TRAP ARM MUST BE 6 PER 305.  
 1. SLOPE OF HORIZONTAL PIPING TO BE 6 PER 305 MIN.

NOTES:

(X-X) FOR DRAINAGE CALLOUTS SEE DWG NO. 116229-01-000

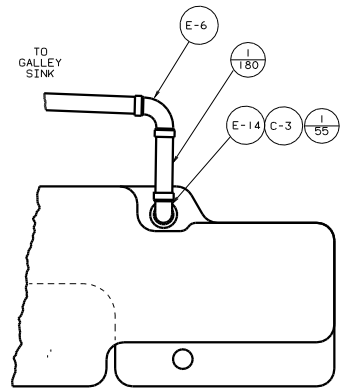
**WINNEBAGO** 98 F26WU

QTY	DATE	UNSPECIFIED TOLERANCES ARE:	MATERIAL:
CHD	DATE	FRAC (H, K, M)	FRAC (H, K, M)
DT	DATE	DECIMAL (H, K, M)	DECIMAL (H, K, M)
W C	DATE	ANGLE	ANGLE
DDM	DATE	THIRD ANGLE PROJECTION	

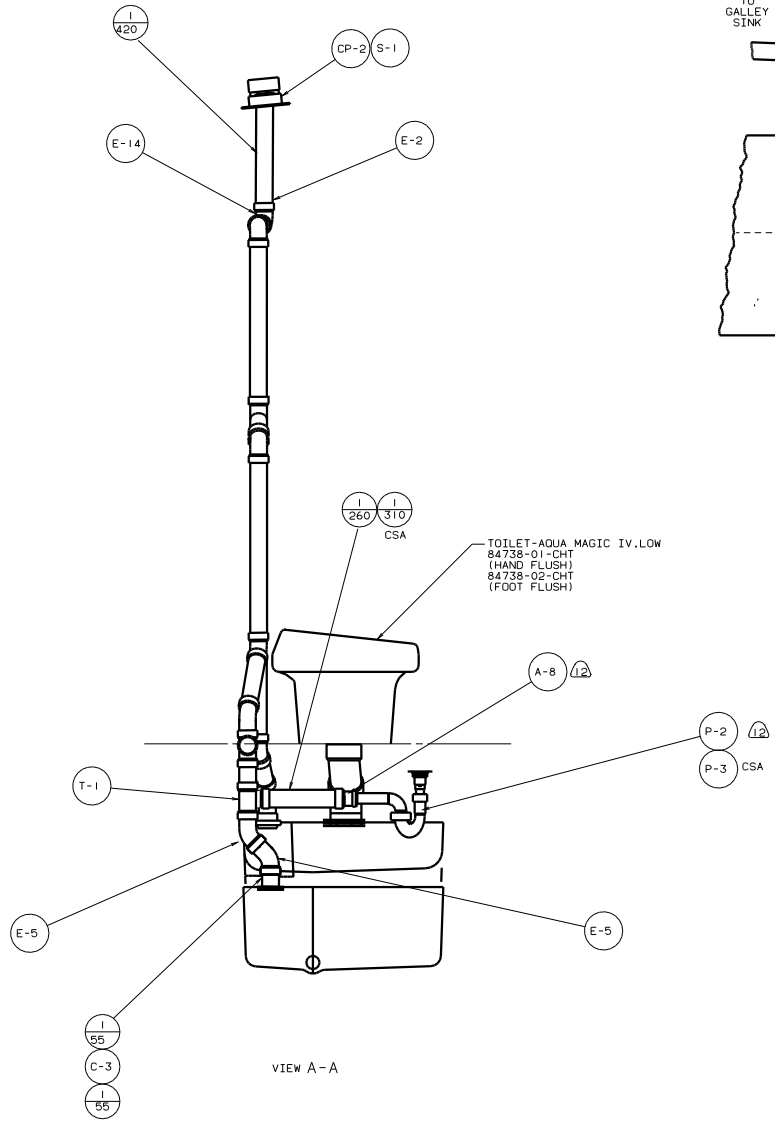
TITLE: DRAINAGE SYSTEM INSTL

REF: 126411 C

127759

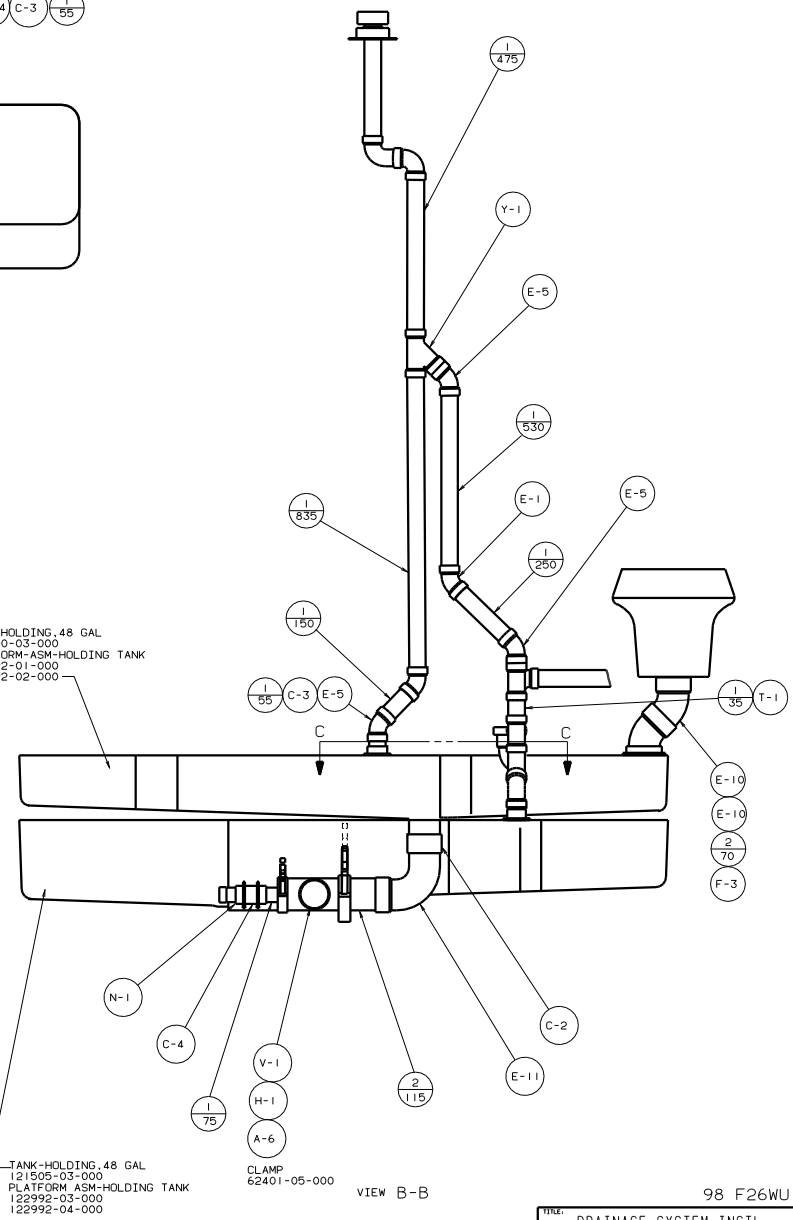


VIEW C-C



VIEW A-A

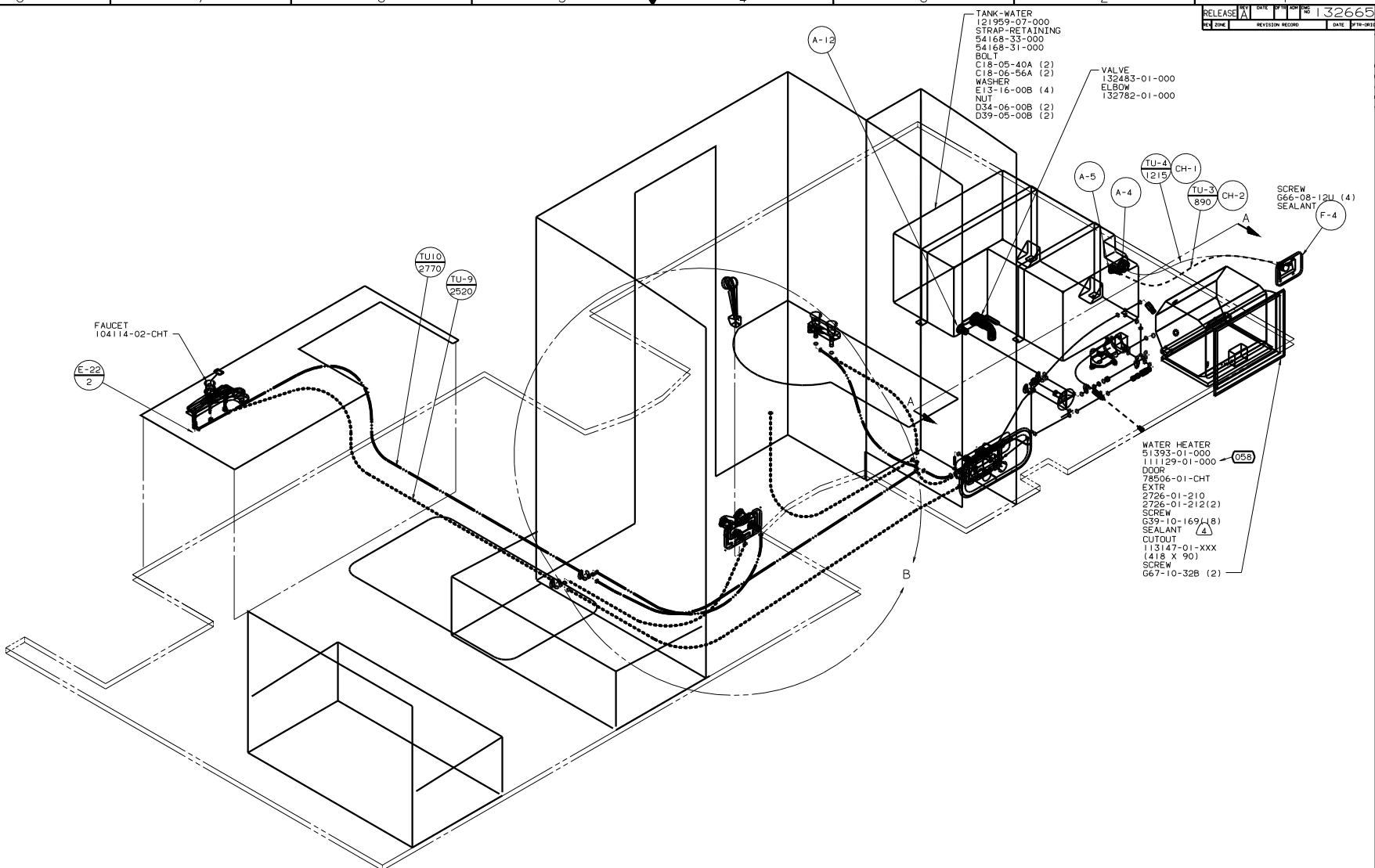
TANK-HOLDING, 48 GAL  
 121500-03-000  
 PLATFORM-ASM-HOLDING TANK  
 122992-01-000  
 122992-02-000



VIEW B-B

TANK-HOLDING, 48 GAL  
 121505-03-000  
 PLATFORM-ASM-HOLDING TANK  
 122992-03-000  
 122992-04-000

TITLE: DRAINAGE SYSTEM INSTL		98 F26WU	
NO. OF SHEETS	SHEET	DATE	REV.
2	2 OF 2		1

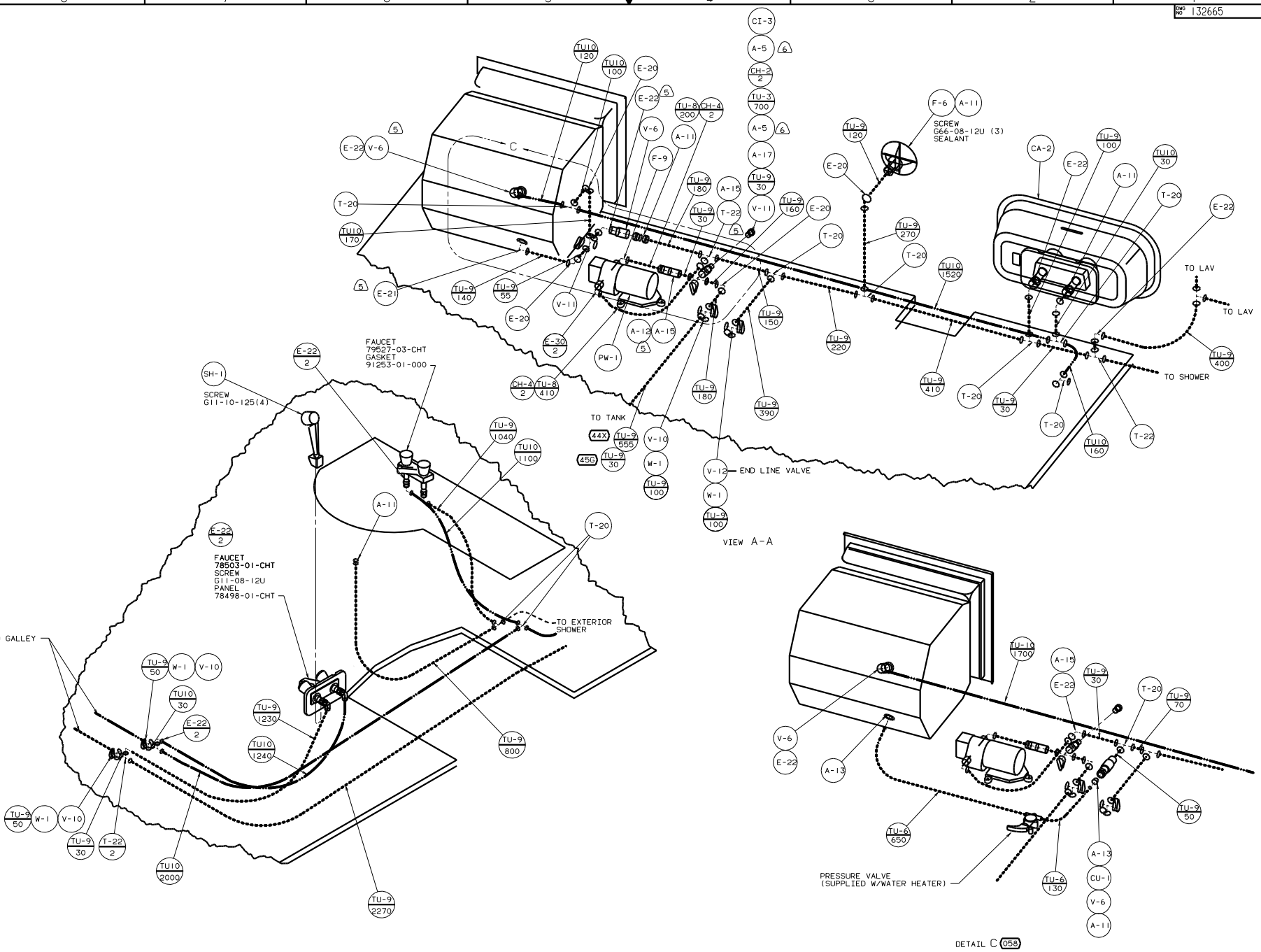


- 45B BED-TWINS
- 44X BED-QUEEN-SIDEWALL
- 05B EUROPEAN EXPORT PREP-PARTIAL

X-X FOR WATER CALLOUTS SEE DWG NO. 116230-01-000

- NOTES:
1. PLASTIC FITTINGS TO BE SEALED WITH SEALANT 84456-01-000.
  2. TUBING TO BE SECURED WITH SUFFICIENT SLOPE TO PROVIDE DRAINAGE TO NEAREST VALVE.
  3. ALL TUBING TO BE SECURED AT 1200 INTERVALS MAXIMUM WITH CLAMP 10495-01-000 OR CLIP 91951-01-000 AND SCREW G67-10-12B.
  4. LOCATE CUTOUT TO SUPPORT WATER HEATER.
  5. ADD TEFLON TAPE 10405-02-000 TO FITTING.
  6. ADD TEFLON TAPE 10405-03-000 TO FITTING.

LEGEND		WINNEBAGO 00 F26P	
HOT	-----	DATE	UNDESIGNED TOLERANCES ARE:
COLD	-----	DATE	WHOLE DIM (IN) .1
		DATE	ONE-PLACE (IN, IN) .1
		DATE	TWO-PLACE (IN, IN) .01
		DATE	THREE-PLACE (IN, IN) .005
		DATE	FOUR-PLACE (IN, IN) .001
		DATE	FIVE-PLACE (IN, IN) .0005
		DATE	SIX-PLACE (IN, IN) .0001
		DATE	SEVEN-PLACE (IN, IN) .00005
		DATE	EIGHT-PLACE (IN, IN) .00001
		DATE	NINE-PLACE (IN, IN) .000005
		DATE	TEN-PLACE (IN, IN) .000001
		DATE	UNDESIGNED TOLERANCES ARE:
		DATE	WHOLE DIM (MM) .1
		DATE	ONE-PLACE (MM) .1
		DATE	TWO-PLACE (MM) .05
		DATE	THREE-PLACE (MM) .02
		DATE	FOUR-PLACE (MM) .01
		DATE	FIVE-PLACE (MM) .005
		DATE	SIX-PLACE (MM) .002
		DATE	SEVEN-PLACE (MM) .001
		DATE	EIGHT-PLACE (MM) .0005
		DATE	NINE-PLACE (MM) .0002
		DATE	TEN-PLACE (MM) .0001



00 F26P

TITLE: WATER SYSTEM INSTL	
NO. OF SHEETS: 3	SHEET NO: 2
DATE: 1/6	REV: 1
132665	

