

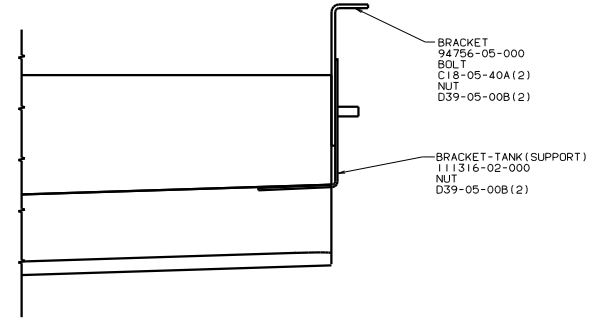
- (13) SECURE PIPES TO CABINET USING WIRE TIE 108046-02-000 AND SCREW G67-10-12U(8).
 (12) USE WITH CSA.
 (11) NOT USED ON CANADIAN UNITS.
 (10) TRIM P-TRAP TO FIT.
 (9) SECURE VENT TUBES TO FLOOR WITH BRACKET 95061-01-000 (2), CLAMP 62401-02-000, SCREW G67-10-12B (2).
 (8) VENT PIPE MUST PROJECT 51 MM MIN AND 63.5 MM MAX ABOVE ROOF FOR PROPER FIT AND FUNCTION.
 7. SEE DWG 61607-01-000 FOR INSTL OF GROMMETS.
 6. SEAL ALL AROUND SHOWER WITH SILICONE.
 5. FOR CAN UNITS EACH HOLDING TANK SHALL HAVE A CSA APPROVAL STAMPED NEAR THE TAMPO APPROVAL.
 4. ALL EXTERIOR OPENINGS AROUND PIPE TO BE SEALED WITH 110744-01-000.
 3. ALL PIPE AND FITTINGS TO BE ASSEMBLED WITH SOLVENT 4020-01-000.
 2. SLOPE OF TRAP ARM MUST BE 6 PER 305 MINIMUM.
 1. SLOPE OF HORIZONTAL PIPING TO BE 6 PER 305 MINIMUM.

NOTES:

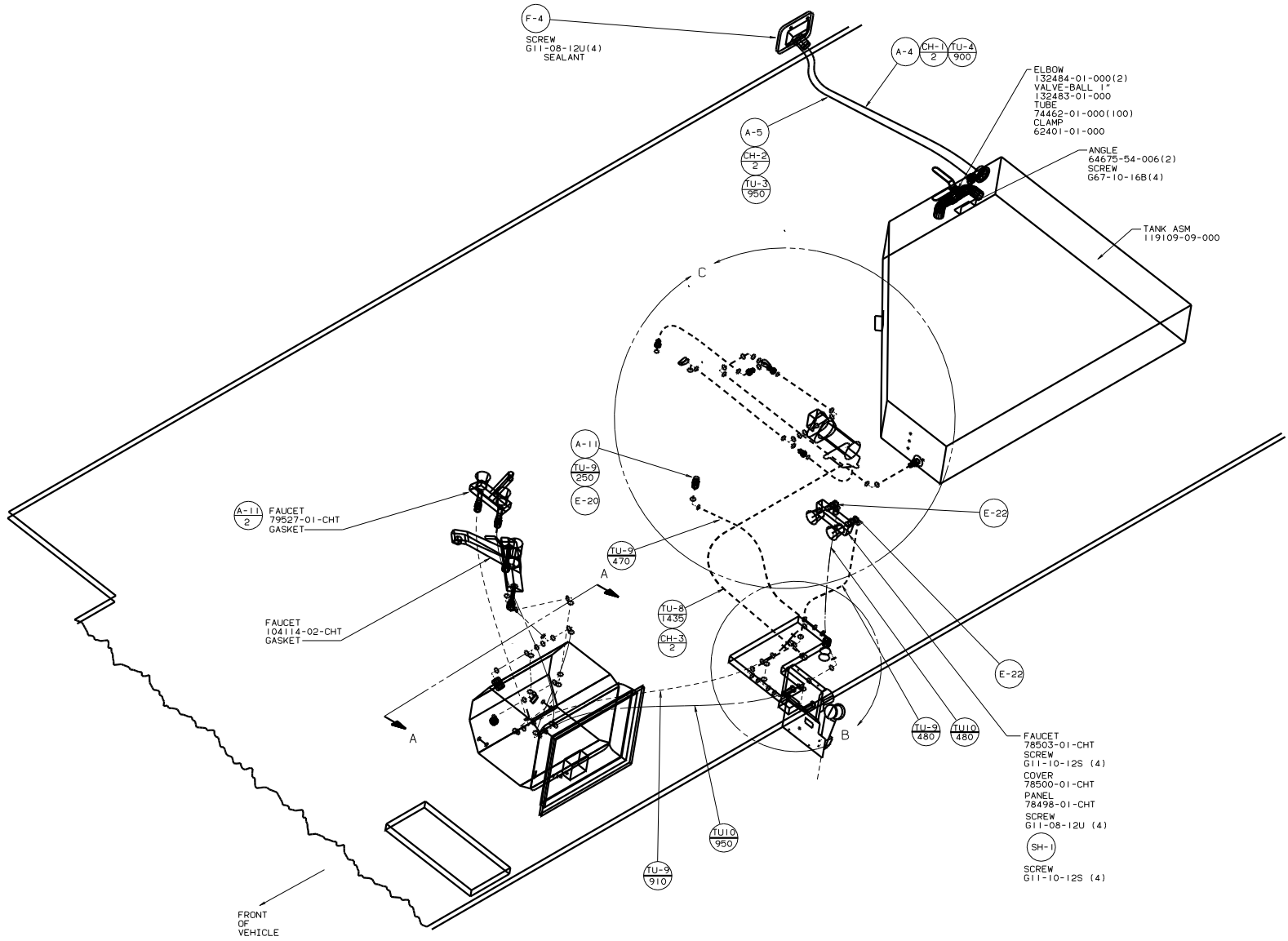
X-X FOR DRAINAGE CALLOUTS SEE DWG NO. 116229-01-000

464 TOILET

WINNEBAGO		96 431W0	
OF IN	DATE	UNSPECIFIED TOLERANCES ARE:	MATERIAL
CHP	DATE	HALF DIM (R)	
PIE	DATE	ONE-PLACE (R.X)	
D/E	DATE	TWO-PLACE (R.X)	
DATE	DATE	MILL	
DATE	DATE	THIRD ANGLE PROJECTION	
LANRT 431W06	TITLE:	DRAINAGE SYSTEM INSTL	
SHEET 1 OF 2	SCALE: 1:1	121394	



VIEW A-A



A-11 FAUCET 79527-01-CHT GASKET

FAUCET 104114-02-CHT GASKET

FAUCET 78503-01-CHT
 SCREW G11-10-12S (4)
 COVER 78500-01-CHT
 PANEL 78498-01-CHT
 SCREW G11-08-12U (4)
 SH-1
 SCREW G11-10-12S (4)

FRONT OF VEHICLE

- 64R EXTERIOR WASH STATION
- 611 WTR HTR-RR AUTO/MOTORAID
- 63F WATER HEATER-ELEC. IGNITION

3. ALL TUBING TO BE SECURED AT 1200 INTERVALS MAX WITH CLAMP 10495-01-000 OR CLIP 91951-01-000 AND SCREW G67-10-12B.
2. TUBING TO BE INSTALLED WITH SUFFICIENT SLOPE TO PROVIDE DRAINAGE TO NEAREST VALVE.
1. PLASTIC FITTINGS TO BE SEALED WITH SEALANT 84456-01-000.

LEGEND	
HOT	=====
COLD	*****

X-X FOR WATER CALLOUTS SEE DWG NO. 116230-01-000

WINNEBAGO		OO 431A
OF IN	DATE	UNSPECIFIED TOLERANCES ARE:
CHP	DATE	WHOLE DIM (IN) .1
D/E	DATE	ONE-PLACE (IN) .01
D/E	DATE	TWO-PLACE (IN) .001
D/E	DATE	THREE-PLACE (IN) .0005
D/E	DATE	FOUR-PLACE (IN) .0001
D/E	DATE	FIVE-PLACE (IN) .00005
D/E	DATE	SIX-PLACE (IN) .00001
D/E	DATE	SEVEN-PLACE (IN) .000005
D/E	DATE	EIGHT-PLACE (IN) .000001
D/E	DATE	NINE-PLACE (IN) .0000005
D/E	DATE	TEN-PLACE (IN) .0000001
D/E	DATE	UNSPECIFIED TOLERANCES ARE:
D/E	DATE	WHOLE DIM (MM) .1
D/E	DATE	ONE-PLACE (MM) .01
D/E	DATE	TWO-PLACE (MM) .001
D/E	DATE	THREE-PLACE (MM) .0005
D/E	DATE	FOUR-PLACE (MM) .0001
D/E	DATE	FIVE-PLACE (MM) .00005
D/E	DATE	SIX-PLACE (MM) .00001
D/E	DATE	SEVEN-PLACE (MM) .000005
D/E	DATE	EIGHT-PLACE (MM) .000001
D/E	DATE	NINE-PLACE (MM) .0000005
D/E	DATE	TEN-PLACE (MM) .0000001
REV #	SCALE	TITLE
1	0.2	WATER SYSTEM INSTL
ALL DIMENSIONS ARE IN MILLIMETERS	SHEET 1 OF 2	133013

