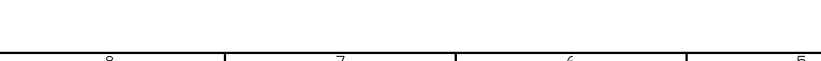
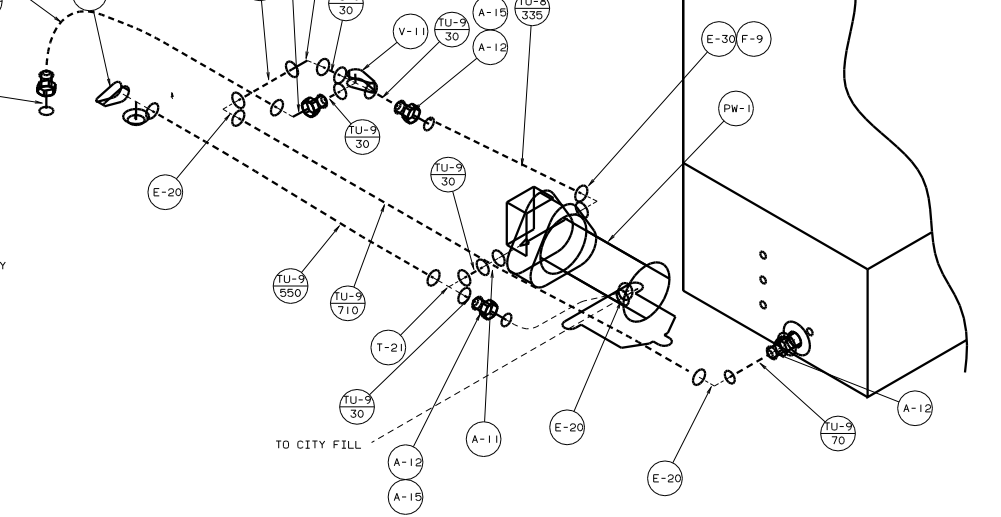
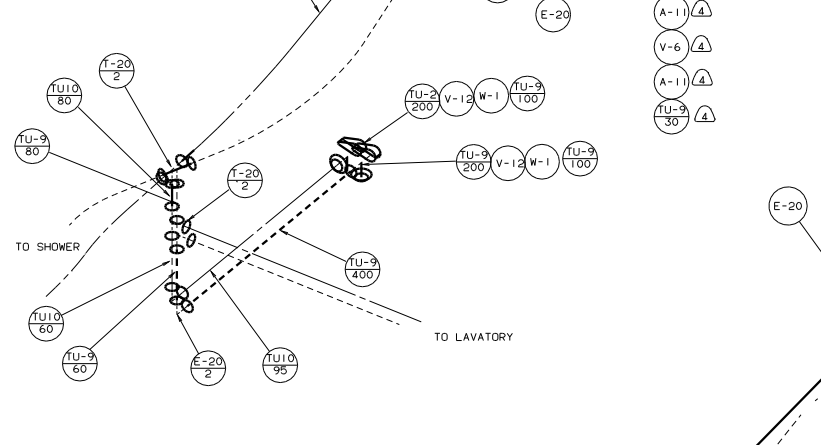
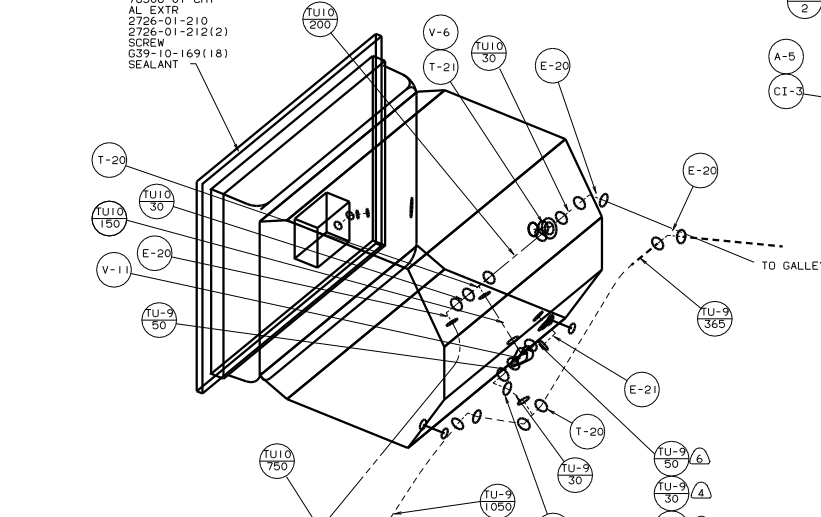


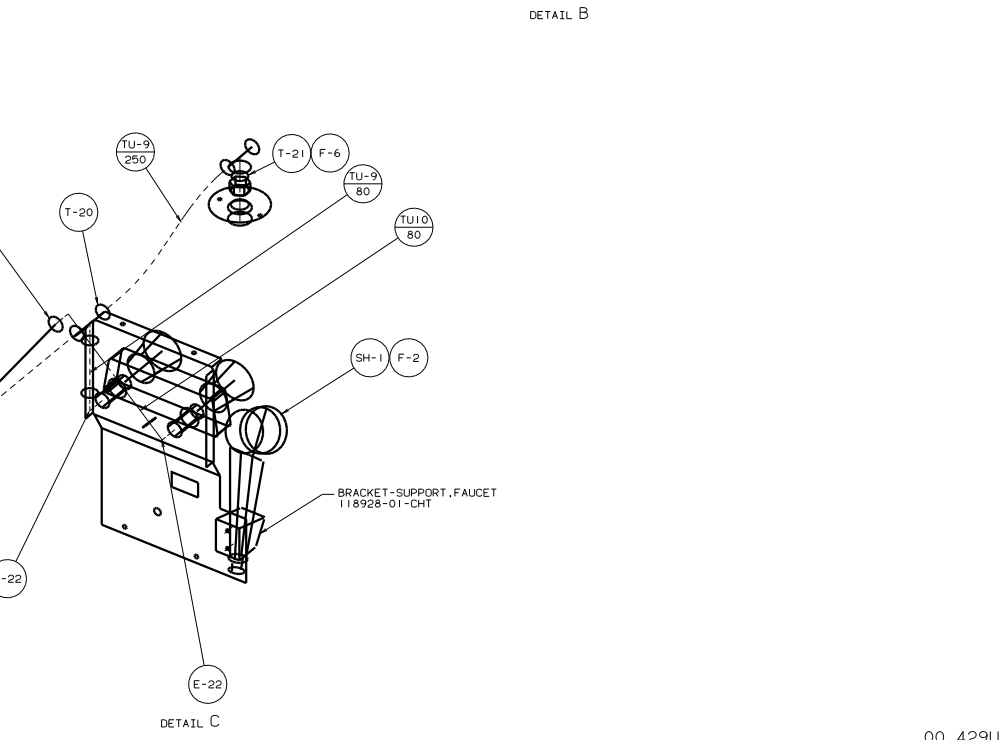




- WATER HEATER
- 51391-01-000
- (MANUAL IGNITION)
- 51391-02-000
- (ELECTRONIC IGNITION)
- 51391-03-000
- (W/MOTOR AID)
- DOOR
- 78806-01-CHT
- AL EXTR
- 2726-01-210
- 2726-01-212(2)
- SCREW
- G39-10-169(18)
- SEALANT



VIEW A-A



DETAIL C

TITLE: WATER SYSTEM INSTL		00 429U	
NO. OF SHEETS	REV	DATE	BY
SHEET 2 OF 2	1.0		
		133459	