

- ⚠ CADDY-SHOWER 105707-01-CHT
- ⚠ PANEL-REINF 102028-03-000
- ⚠ TAPE 76322-01-000
- ⚠ SCREW G11-08-12B (16)
- ⚠ COVER 78500-01-CHT (16)
- ⚠ 78500-01-CHT (16)

- ⚠ SHOWER PAN 127586-02-CHT
- ⚠ SCREW G11-08-12B (16)
- ⚠ COVER 78500-01-CHT (16)
- 43F SHOWER INSTL-ENCLOSURE 134582-02-000
- ⚠ STRAINER 66440-01-000
- ⚠ SEALER 69640-01-000
- ⚠ NUT 130403-01-000
- ⚠ WASHER-RUBBER 127440-02-CHT
- ⚠ TAILPIECE 11069-02-000

- TANK-HOLDING 34 GAL 127519-02-000
- ⚠ CRADLE ASM 103227-09-000
- ⚠ BOLT C18-05-40A (4)
- ⚠ NUT D39-05-00B (4)
- ⚠ WASHER E13-16-00B (4)

- ⚠ CLAMP 62401-05-000(2)
- ⚠ BRACKET 95061-01-000(4)
- ⚠ SCREW G67-10-12B(4)

- ⚠ VALVE-REMOTE 62421-03-000
- ⚠ HOLDER-RING 56134-02-000 (3)
- ⚠ BOLT C12-05-16B (3)
- ⚠ NUT D12-05-00B (3)
- ⚠ NUT D32-05-00B(4)
- ⚠ BOLT C18-05-40A(4)

- ⚠ HANGER-STRAP 56133-13-000 (3)
- ⚠ BOLT C18-05-40A (3)
- ⚠ NUT D39-05-00B (3)

- ⚠ BRACKET ASM-HANDLE 134367-01-CHT
- ⚠ CABLE-VALVE, REMOTE 62421-05-000
- ⚠ VALVE 72346-01-000
- ⚠ CLAMP 62401-05-000

- TANK-HOLDING 34 GAL 127489-02-000
- ⚠ CRADLE ASM 56076-37-000
- ⚠ BOLT C18-05-96A (4)
- ⚠ NUT D39-05-00B (4)
- ⚠ WASHER E13-16-00B (4)

43F SHOWER SURROUND  
231 HEATED HOLDING TANKS-PACKAGE

FOR DRAINAGE CALLOUTS SEE DWG NO. 116229-01-000

- 10 SECURE VENT TUBES TO FLOOR WITH BRACKET.
- 9 VENT PIPE MUST PROJECT 51 MM MIN AND 64 MM MAX ABOVE ROOF FOR PROPER FIT AND FUNCTION.
- SEE DWG 61607-01-000 FOR INSTL OF GROMMETS.
  - SEAL ALL AROUND SHOWER WITH SILICONE.
  - FOR CANADIAN UNITS EACH HOLDING TANK SHALL HAVE A CSA APPROVAL STAMPED NEAR THE IAMPO APPROVAL.
  - EXPOSED PIPE ABOVE ROOF TO BE PAINTED WITH 37163-01-000.
  - ALL EXTERIOR OPENINGS AROUND PIPE TO BE SEALED WITH 11074-01-000.
  - ALL PIPE AND FITTINGS TO BE ASSEMBLED WITH SOLVENT 4020-01-000.
  - SLOPE OF TRAP ARM MUST BE 6 PER 305.
  - SLOPE OF HORIZONTAL PIPING TO BE 6 PER 305 MIN.
- NOTES:

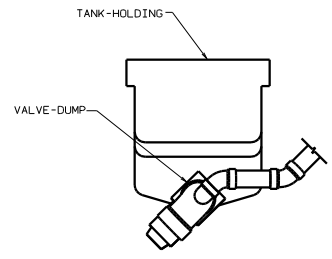
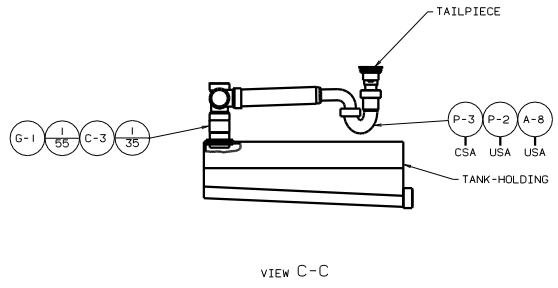
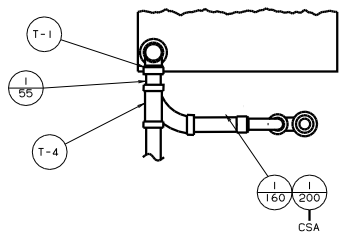
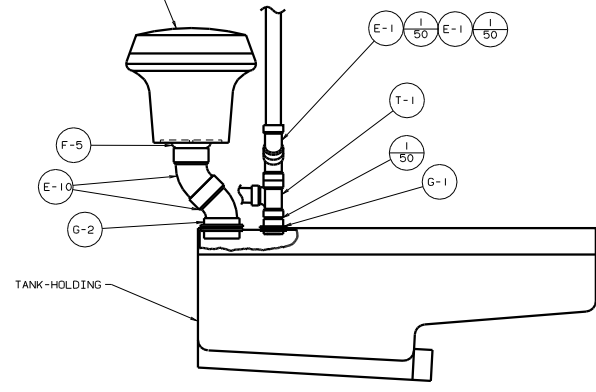
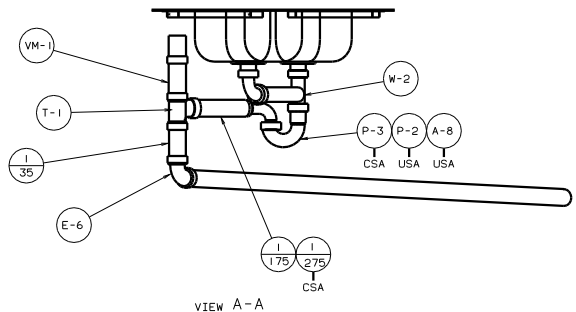
- 14 WRAP PAD AROUND ON THE SIDES OF THE TANK.
- 13 SEE WIRING INSTL-BODY, 12 V FOR ELECTRICAL CONNECTIONS.
- 12 SECURE PIPES TO CABINET USING WIRE TIE 108046-02-000 AND SCREW G67-10-12U(8).
- 11 NOT USED WITH 43G INTERIOR UPGRADE PACKAGE.

WINNEBAGO 00 331C/T

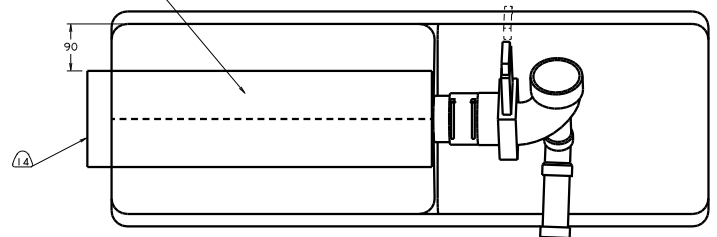
DATE	UNDESIGNED TOLERANCES ARE:	INTERVAL:
DATE	WHOLE DIM IN CH	1
DATE	ONE-PLACE IN CH	1
DATE	TWO-PLACE IN CH	1
DATE	THREE-PLACE IN CH	1
DATE	FOUR-PLACE IN CH	1
DATE	FIVE-PLACE IN CH	1
DATE	SIX-PLACE IN CH	1
DATE	SEVEN-PLACE IN CH	1
DATE	EIGHT-PLACE IN CH	1
DATE	NINE-PLACE IN CH	1
DATE	TEN-PLACE IN CH	1
DATE	ELEVEN-PLACE IN CH	1
DATE	TWELVE-PLACE IN CH	1

00C331C TITLE: DRAINAGE SYSTEM INSTL  
 134355  
 2 OF 3 SHEET 1 OF 3  
 REF: 127520 R 1

TOILET-SHORTY, AQUA IV  
84738-01-CHT  
(HAND FLUSH)  
SCREW  
87721-01-000 (6)  
84738-02-CHT  
(FOOT FLUSH)

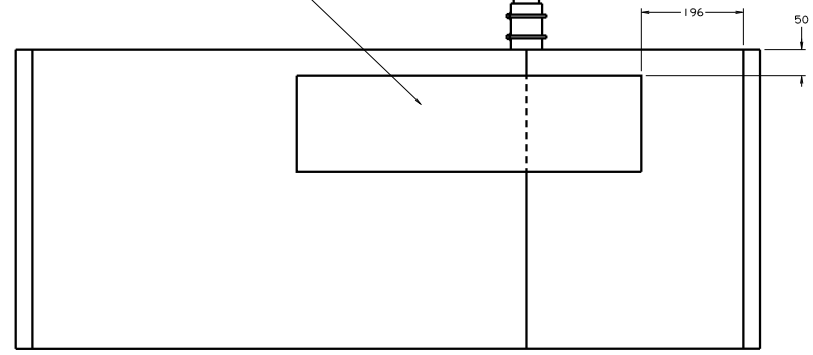


△3 (23T) PAD-HEATER, HOLDING TANK, 40 GAL  
133972-01-000



PAD-HEATER, ELBOW, 1.50  
133972-03-000 △3T △3

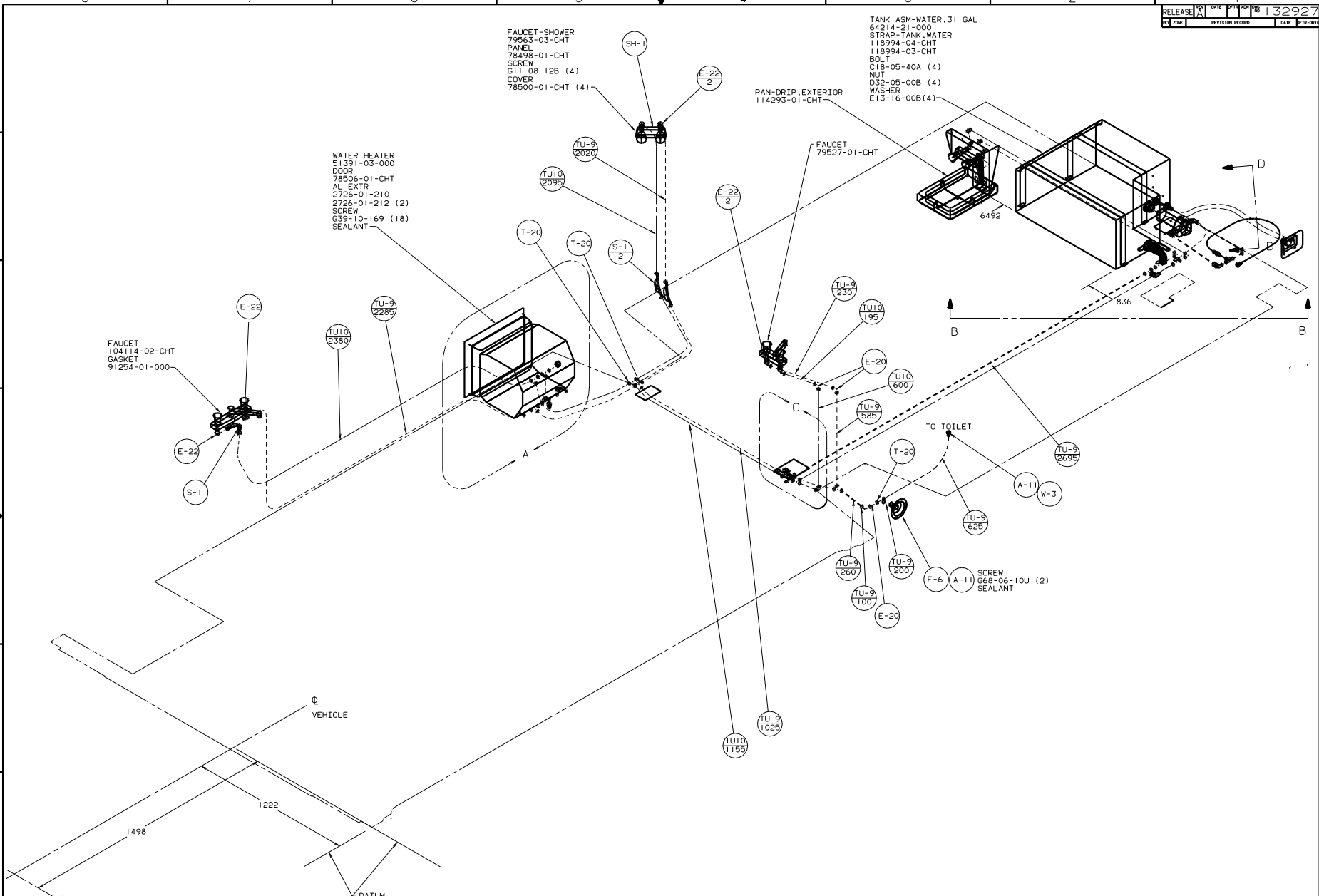
△3 (23T) PAD-HEATER, HOLDING TANK, 40 GAL  
133972-01-000



VIEW E-E

00 331C/T

TITLE: DRAINAGE SYSTEM INSUL		DWG NO: 134355	
30 THE DRAINAGE	3 OF 3	1/E	134355



- (A) ADD TEFLON TAPE 10405-01-000 TO FITTING.  
 (B) ADD TEFLON TAPE 10405-02-000 TO FITTING.  
 (C) CAP SEAL. SEE SEALANT MANUAL.  
 3. ALL TUBING TO BE SECURED AT 1200 INTERVALS MAX WITH CLAMP 10495-01-000 OR CLIP 91951-01-000 AND SCREW G67-10-12B.  
 2. TUBING TO BE INSTALLED WITH SUFFICIENT SLOPE TO PROVIDE DRAINAGE TO NEAREST VALVE.  
 1. PLASTIC FITTINGS TO BE SEALED WITH SEALANT 84456-01-000.

NOTES:

FOR WATER CALLOUTS SEE DWG NO 116230-01-000

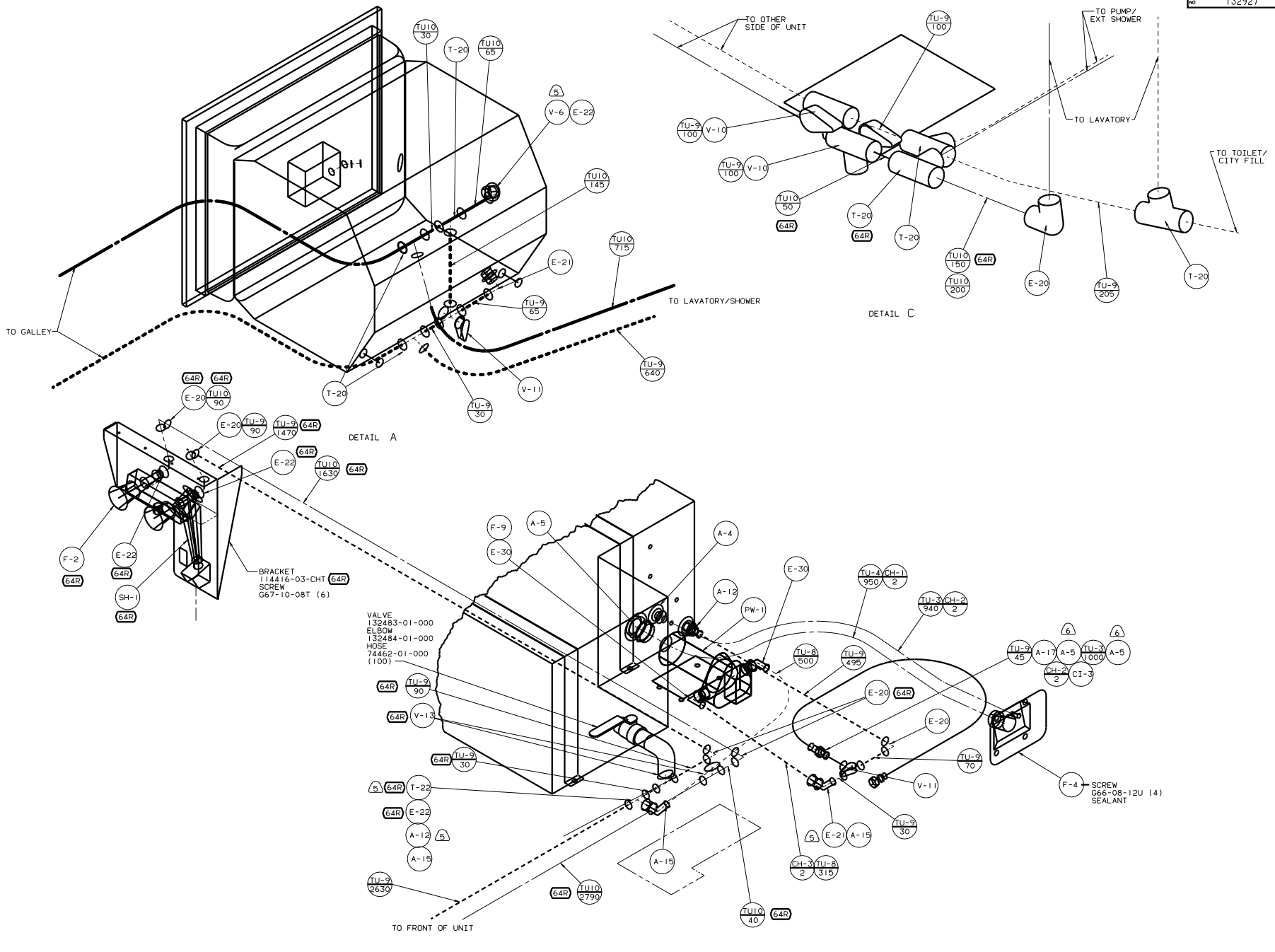
LEGEND	
HOT	— — — —
COLD	• • • • •

(64R) EXTERIOR WASH STATION

**WINNEBAGO** 00 331C/T

OF IN	DATE	UNDESIGNED TOLERANCES ARE:	MATERIAL
CHP	DATE	WHOLE OR 1/2	
DFE	DATE	ONE-PLACE (X.X1)	
D/E	DATE	TWO-PLACE (X.XX)	
CONP	DATE	THREE-PLACE (X.XXX)	
	DATE	INDIC. WHOLE	
	DATE	INDIC. 1/2	

LAYOUT NO. - - - - TITLE: **WATER SYSTEM INSTL**  
 DIA # SCALE: NONE TO THE SCALE SHOWN THE DIA #  
 ALL DIMENSIONS ARE IN MILLIMETERS SHEET 1 OF 3 I.E. NO 132927



- VALVE 132483-01-000
- ELBOW 132484-01-000
- HOSE 74462-01-000 (1100)

BRACKET 114416-03-CHT  
SCREW G67-10-08T (6)

F-4 SCREW G66-08-12U (4)  
SEALANT

VIEW B-B  
49X BED-QUEEN, BACKWALL

- VALVE 132483-01-000
- COUPLING 101814-03-000
- ADAPTER 44927-02-000
- ELBOW 132781-01-000
- TUBING 74462-01-000 (650)

