

- 10 SECURE VENT TUBES TO FLOOR WITH BRACKET.
 9 VENT PIPE MUST PROJECT 51 MM MIN AND 64 MM MAX ABOVE ROOF FOR PROPER FIT AND FUNCTION.
 8. SEE DWG 61607-01-000 FOR INSTL OF GROMMETS.
 7. SEAL ALL AROUND SHOWER WITH SILICONE.
 6. FOR CANADIAN UNITS EACH HOLDING TANK SHALL HAVE A CSA APPROVAL STAMPED NEAR THE IAMPO APPROVAL.
 5. EXPOSED PIPE ABOVE ROOF TO BE PAINTED WITH 37163-01-000.
 4. ALL EXTERIOR OPENINGS AROUND PIPE TO BE SEALED WITH 11074-01-000.
 3. ALL PIPE AND FITTINGS TO BE ASSEMBLED WITH SOLVENT 4020-01-000.
 2. SLOPE OF TRAP ARM MUST BE 6 PER 305.
 1. SLOPE OF HORIZONTAL PIPING TO BE 6 PER 305 MIN.
 NOTES:

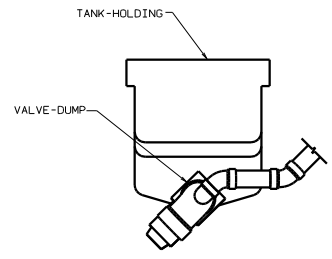
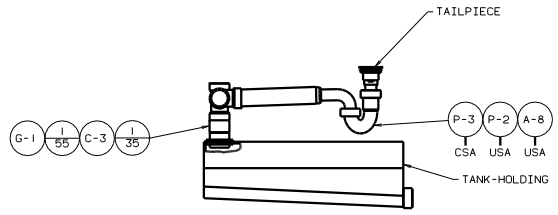
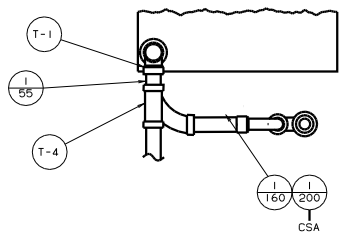
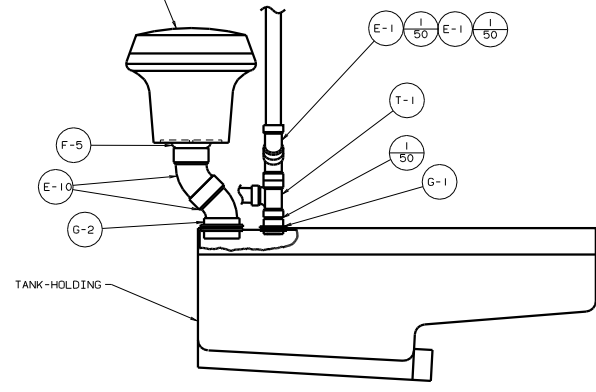
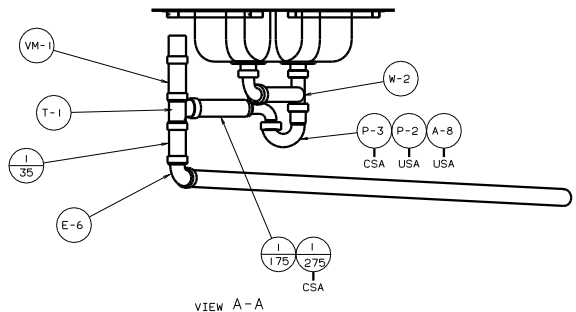
- 14 WRAP PAD AROUND ON THE SIDES OF THE TANK.
 13 SEE WIRING INSTL-BODY, 12 V FOR ELECTRICAL CONNECTIONS.
 12. SECURE PIPES TO CABINET USING WIRE TIE 108046-02-000 AND SCREW G67-10-12U(8).
 11 NOT USED WITH 43G INTERIOR UPGRADE PACKAGE.

43F SHOWER SURROUND
 231 HEATED HOLDING TANKS-PACKAGE

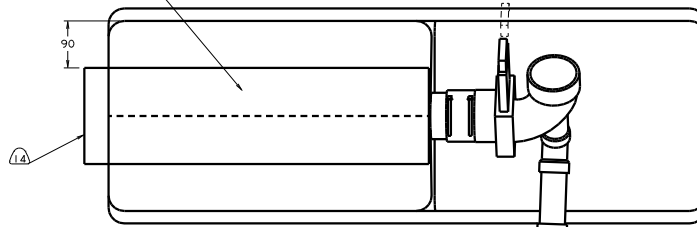
FOR DRAINAGE CALLOUTS SEE DWG NO. 116229-01-000

DATE		UNSPECIFIED TOLERANCES ARE:		INTERVAL:	
QTY	DATE	WHOLE DIM	DEC-PLACES	1	1
CHNG	DATE	ONE-PLACES	10	1	1
DATE	DATE	TWO-PLACES	100	1	1
DATE	DATE	THREE-PLACES	1000	1	1
DATE	DATE	FOUR-PLACES	10000	1	1
DATE	DATE	FIVE-PLACES	100000	1	1
DATE	DATE	SIX-PLACES	1000000	1	1
DATE	DATE	SEVEN-PLACES	10000000	1	1
DATE	DATE	EIGHT-PLACES	100000000	1	1
DATE	DATE	NINE-PLACES	1000000000	1	1
DATE	DATE	TEN-PLACES	10000000000	1	1
DATE	DATE	ELEVEN-PLACES	100000000000	1	1
DATE	DATE	TWELVE-PLACES	1000000000000	1	1
DATE	DATE	THIRTEEN-PLACES	10000000000000	1	1
DATE	DATE	FOURTEEN-PLACES	100000000000000	1	1
DATE	DATE	FIFTEEN-PLACES	1000000000000000	1	1
DATE	DATE	SIXTEEN-PLACES	10000000000000000	1	1
DATE	DATE	SEVENTEEN-PLACES	100000000000000000	1	1
DATE	DATE	EIGHTEEN-PLACES	1000000000000000000	1	1
DATE	DATE	NINETEEN-PLACES	10000000000000000000	1	1
DATE	DATE	TWENTY-PLACES	100000000000000000000	1	1
DATE	DATE	TWENTY-ONE PLACES	1000000000000000000000	1	1
DATE	DATE	TWENTY-TWO PLACES	10000000000000000000000	1	1
DATE	DATE	TWENTY-THREE PLACES	100000000000000000000000	1	1
DATE	DATE	TWENTY-FOUR PLACES	1000000000000000000000000	1	1
DATE	DATE	TWENTY-FIVE PLACES	10000000000000000000000000	1	1
DATE	DATE	TWENTY-SIX PLACES	100000000000000000000000000	1	1
DATE	DATE	TWENTY-SEVEN PLACES	1000000000000000000000000000	1	1
DATE	DATE	TWENTY-EIGHT PLACES	10000000000000000000000000000	1	1
DATE	DATE	TWENTY-NINE PLACES	100000000000000000000000000000	1	1
DATE	DATE	THIRTY PLACES	1000000000000000000000000000000	1	1
DATE	DATE	THIRTY-ONE PLACES	10000000000000000000000000000000	1	1
DATE	DATE	THIRTY-TWO PLACES	100000000000000000000000000000000	1	1
DATE	DATE	THIRTY-THREE PLACES	1000000000000000000000000000000000	1	1
DATE	DATE	THIRTY-FOUR PLACES	10000000000000000000000000000000000	1	1
DATE	DATE	THIRTY-FIVE PLACES	100000000000000000000000000000000000	1	1
DATE	DATE	THIRTY-SIX PLACES	1000000000000000000000000000000000000	1	1
DATE	DATE	THIRTY-SEVEN PLACES	10000000000000000000000000000000000000	1	1
DATE	DATE	THIRTY-EIGHT PLACES	100000000000000000000000000000000000000	1	1
DATE	DATE	THIRTY-NINE PLACES	1000000000000000000000000000000000000000	1	1
DATE	DATE	FOURTY PLACES	100	1	1
DATE	DATE	FOURTY-ONE PLACES	1000	1	1
DATE	DATE	FOURTY-TWO PLACES	100	1	1
DATE	DATE	FOURTY-THREE PLACES	1000	1	1
DATE	DATE	FOURTY-FOUR PLACES	100	1	1
DATE	DATE	FOURTY-FIVE PLACES	1000	1	1
DATE	DATE	FOURTY-SIX PLACES	100	1	1
DATE	DATE	FOURTY-SEVEN PLACES	1000	1	1
DATE	DATE	FOURTY-EIGHT PLACES	100	1	1
DATE	DATE	FOURTY-NINE PLACES	1000	1	1
DATE	DATE	FIFTY PLACES	100	1	1

TOILET-SHORTY, AQUA IV
84738-01-CHT
(HAND FLUSH)
SCREW
87721-01-000 (6)
84738-02-CHT
(FOOT FLUSH)

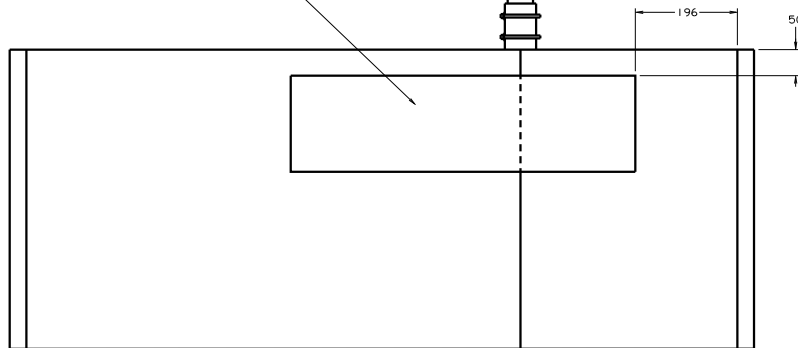


△3 (23T) PAD-HEATER, HOLDING TANK, 40 GAL
133972-01-000



PAD-HEATER, ELBOW, 1.50
133972-03-000 △3T △3

△3 (23T) PAD-HEATER, HOLDING TANK, 40 GAL
133972-01-000



VIEW E-E

00 331C/T

TITLE: DRAINAGE SYSTEM INSL	
NO. OF SHEETS: 3	DRG. NO. 134355
SHEET 3 OF 3	1/E

VALVE
132483-01-000
COUPLING
101814-03-000
ADAPTER
44927-02-000
ELBOW
132781-01-000
TUBING
74462-01-000
(650)

TO FRONT OF UNIT

COVER
74979-01-000

VIEW D-D
44X BED-QUEEN, SIDEWALL
45G BED-TWINS

BRACKET
114416-03-CHT
SCREW
067-10-08T (6)

00 331C/T

TITLE		WATER SYSTEM INSTL	
30	NO	SCALE	DATE
3	OF 3	1/E	132927

