

SINK
 104113-01-000
 STRAINER
 92303-01-000(2)
 SEAL
 91255-02-000 (A/R)
 RETAINER
 105497-01-000 (2)
 105497-02-000 (2)
 SCREW
 G67-10-12G (22)

TANK-HOLDING, 27 GALLON
 108593-02-000
 CRADLE ASM
 103227-04-000
 BOLT
 C18-05-40A(4)
 NUT
 D39-05-00B(4)

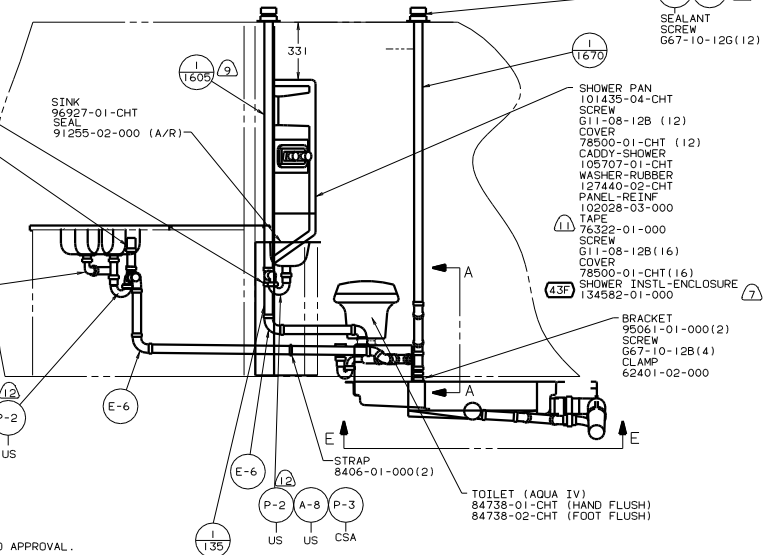
TANK-HOLDING, 40 GALLON
 102762-04-000
 CRADLE ASM
 103227-02-000
 BOLT
 C18-05-40A(4)
 NUT
 D39-05-00B(4)

ANGLE-ROD, T HANDLE
 109694-01-000
 BEARING-SNAP IN
 68938-03-000

HANDLE-EXTENSION
 62419-04-000
 BRACKET-VALVE, LOCKING
 62419-05-000
 HANDLE-T
 62419-06-000

FRONT AXLE

FRONT AXLE



SINK
 96927-01-CHT
 SEAL
 91255-02-000 (A/R)

SHOWER PAN
 101435-04-CHT
 SCREW
 G11-08-12B (12)
 COVER
 78500-01-CHT (12)
 CADDY-SHOWER
 105707-01-CHT
 WASHER-RUBBER
 127440-02-CHT
 PANEL-REINF
 102028-03-000
 TAPE
 76322-01-000
 SCREW
 G11-08-12B(16)
 COVER
 78500-01-CHT(16)
 SHOWER INSTL-ENCLOSURE
 134582-01-000

BRACKET
 95061-01-000(2)
 SCREW
 G67-10-12B(4)
 CLAMP
 62401-02-000

TOILET (AQUA IV)
 84738-01-CHT (HAND FLUSH)
 84738-02-CHT (FOOT FLUSH)

- ⑭ SEE WIRING INSTL-BODY, 12 V FOR ELECTRICAL CONNECTIONS.
- ⑬ SECURE PIPES TO CABINET USING WIRE TIE 108046-02-000 AND SCREW G67-10-12U (8)
- ⑫ TRIM P-TRAP EXTENSION TO FIT.
- ⑪ CLEAN AND APPLY ADHESIVE PROMOTER 87211-01-000 TO BOTH SURFACES AND BOND WITH TAPE.
- ⑩ SECURE VENT TUBES TO FLOOR.
- ⑨ VENT PIPE MUST PROJECT 51 MIN AND 64 MAX ABOVE ROOF FOR PROPER FIT AND FUNCTION.
- ⑧ SEE DWG 61607-01-000 FOR INSTL OF GROMMET.
- ⑦ SEAL ALL AROUND SHOWER WITH SILICONE 78474-01-CHT.
- 6. FOR CAN UNITS EACH HOLDING TANK SHALL HAVE A CSA APPROVAL STAMPED NEAR THE IAMPO APPROVAL.
- 5. EXPOSED PIPE ABOVE ROOF TO BE PAINTED 37163-01-000.
- 4. ALL EXTERIOR OPENINGS AROUND PIPE TO BE SEALED.
- 3. ALL PIPE AND FITTINGS TO BE ASSEMBLED WITH SOLVENT 4020-01-000.
- 2. SLOPE OF TRAP ARM MUST BE 6 PER 305.
- 1. SLOPE OF HORIZONTAL PIPING TO BE 6 PER 305 MIN.

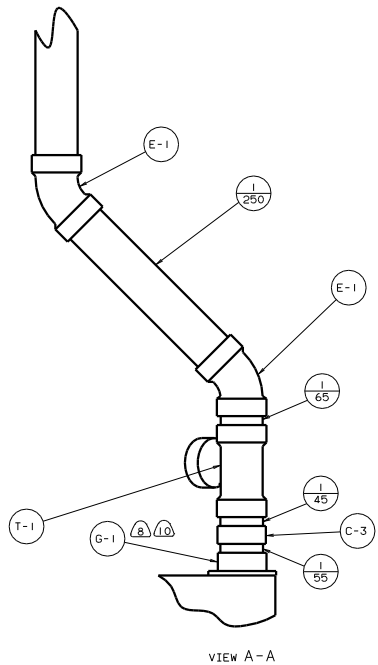
- ②③ HEATED HOLDING TANKS-PACKAGE
- ④③ SHOWER SURROUND-ABS

FOR DRAINAGE CALLOUTS SEE DWG NO. 116229-01-000

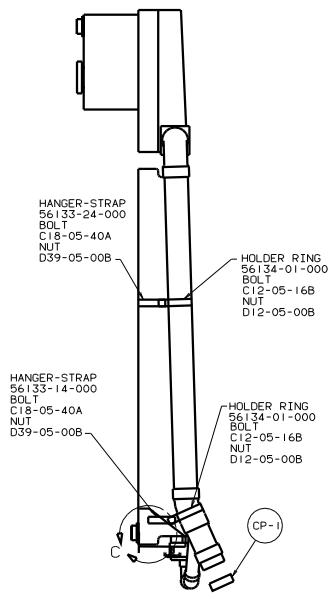
WINNEBAGO		00 329N	
DATE	UNDESIGNED TOLERANCES ARE:	MATERIAL	
DATE	WHOLE DIM (IN)	1:15	
DATE	ONE-PLACE (IN, IN)		
DATE	TWO-PLACE (IN, IN)		
DATE	MIXED		
DATE	INDIC. WHOLE		
DATE	PRODUCTION		

REV	SCALE	TITLE	SHEET	NO
1	1:1	DRAINAGE SYSTEM INSTL	1	3

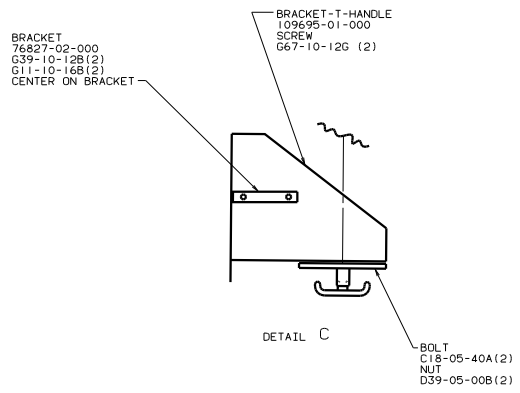
REF: 130696 E | 134356



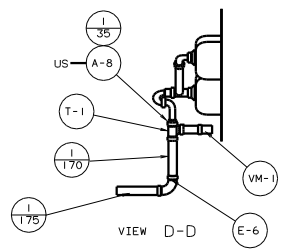
VIEW A-A



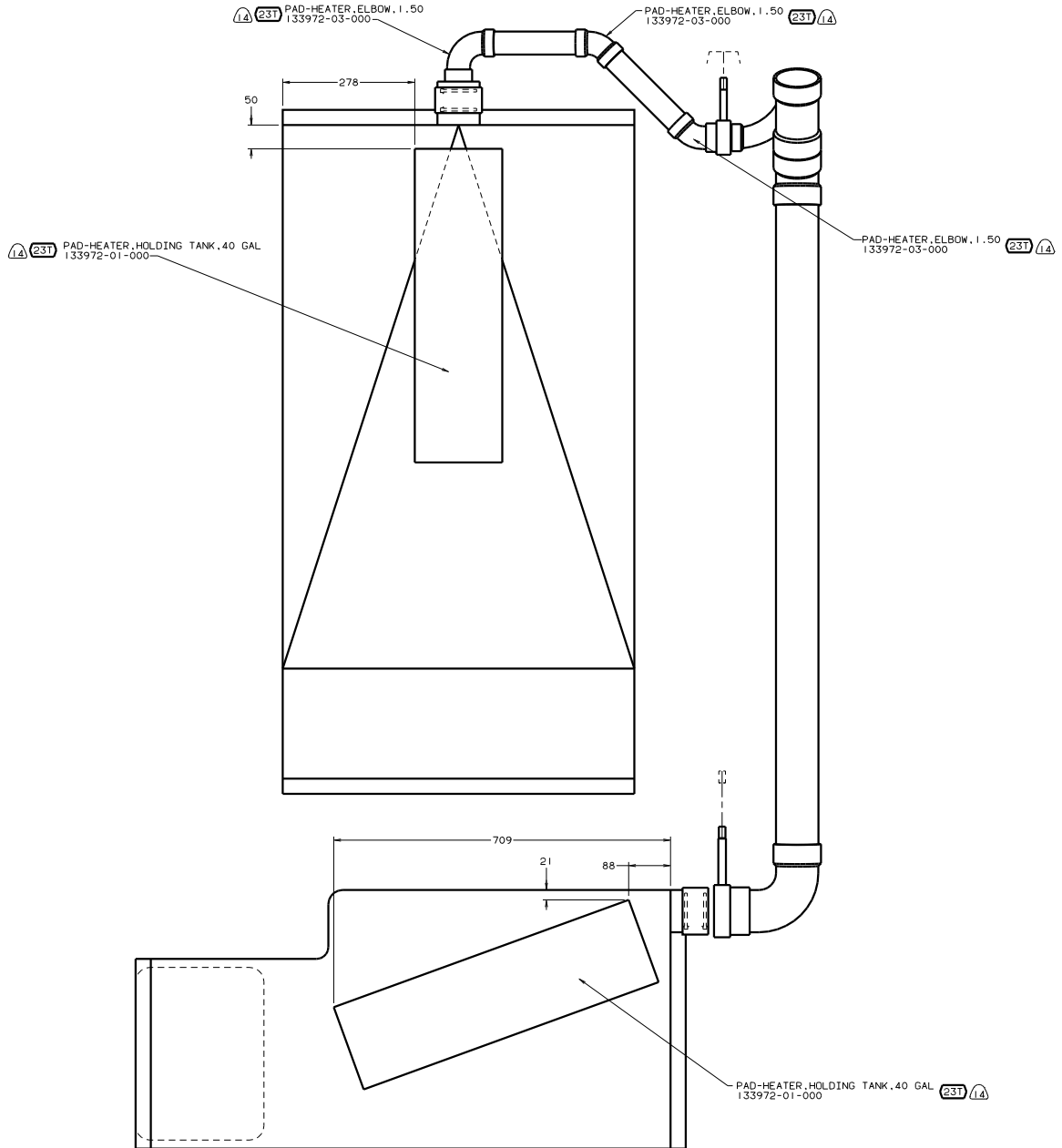
VIEW B-B



DETAIL C



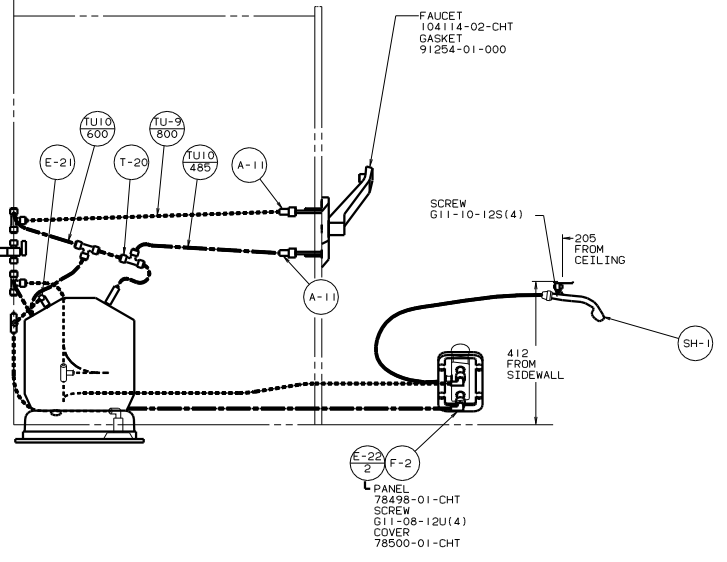
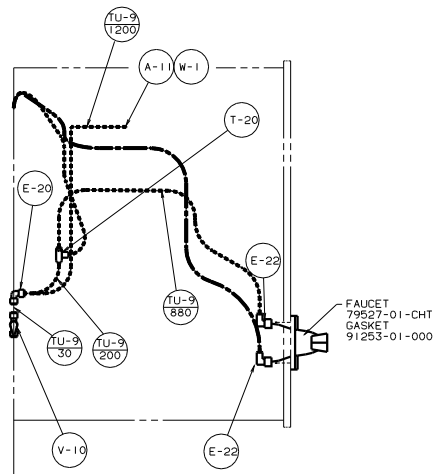
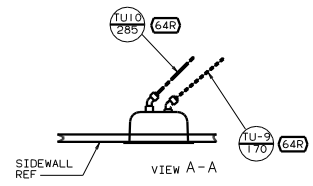
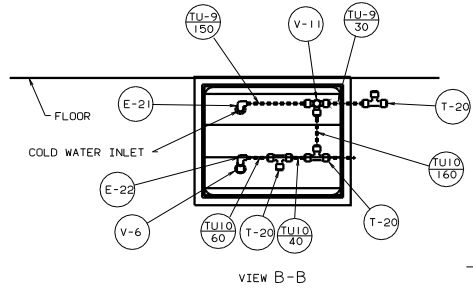
VIEW D-D



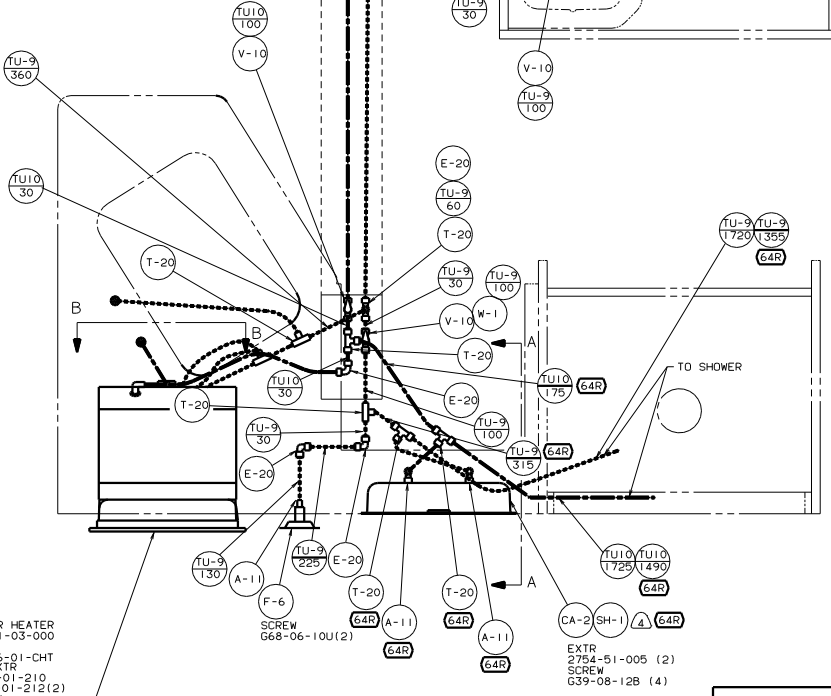
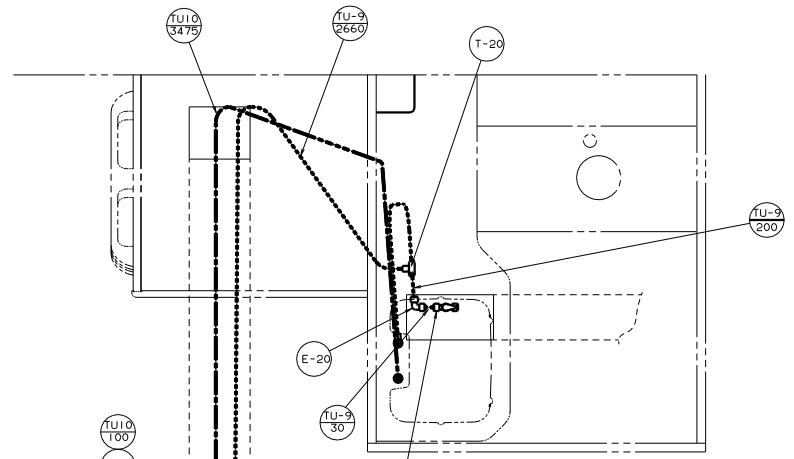
VIEW E-E

00 329N

TITLE: DRAINAGE SYSTEM INSTL	
NO. OF SHEETS: 3	SHEET: 3 OF 3
DATE: 1/16	DWG. NO: 134356



○
 FRONT AXLE



64R EXTERIOR WASH STATION

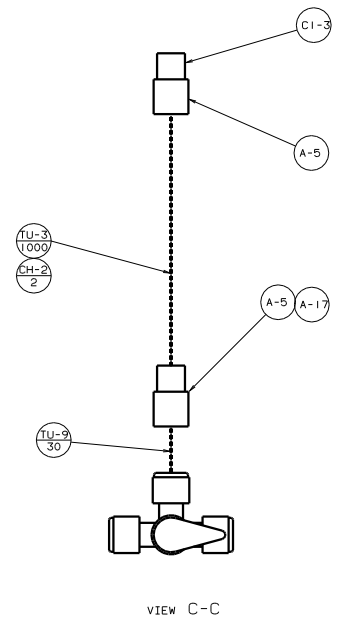
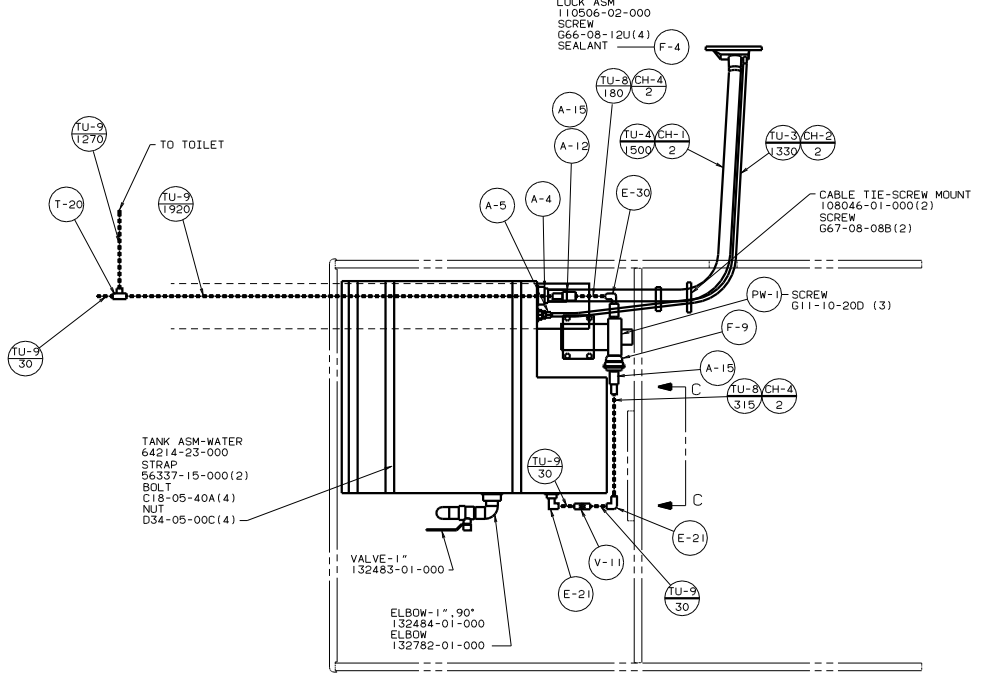
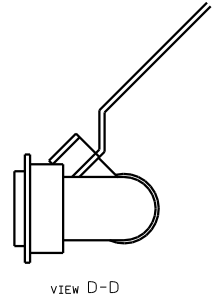
X-X FOR WATER CALLOUTS SEE DWG NO. 116230-01-000

WATER HEATER 51391-03-000
 DOOR 78506-01-CHT
 AL EXTR 2726-01-210
 2726-01-212(2)
 SCREW G39-10-169(18)
 SEALANT

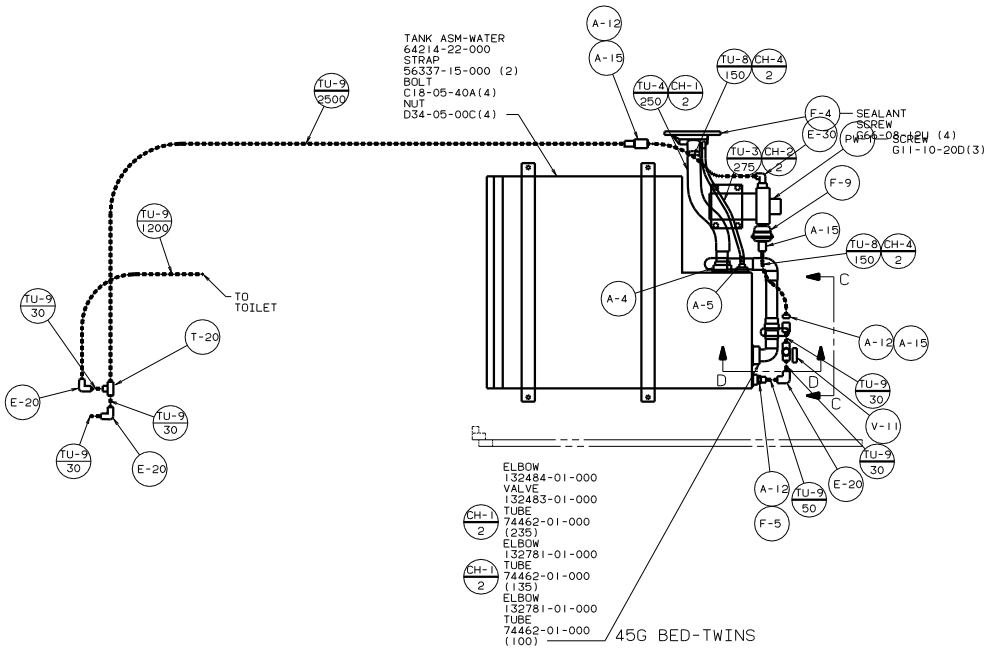
LEGEND	
HOT	—————
COLD	-----

WINNEBAGO		00 329N
DATE	UNDESIGNED TOLERANCES ARE:	MATERIAL
DATE	WHOLE DIM (IN)	FR
DATE	ONE-PLACE (IN.XI)	FR
DATE	TWO-PLACE (IN.XXX)	FR
DATE	MIXED	FR
DATE	THIRD WHOLE	FR
DATE	PRODUCTION	FR
TITLE: WATER SYSTEM INSTL		132951
SCALE: NONE	SHEET 1 OF 2	1 E

- 1. PLASTIC FITTINGS TO BE SEALED WITH SEALANT 84456-01-000.
- 2. TUBING TO BE INSTALLED WITH SUFFICIENT SLOPE TO PROVIDE DRAINAGE TO NEAREST VALVE.
- 3. ALL TUBING TO BE SECURED AT 1200 INTERVALS MAX WITH CLAMP 10495-01-000 OR CLIP 91951-01-000 AND SCREW G67-10-12B.
- 4. CAPSEAL SEE SEALANT MANUAL.
- 5. USE STAPLE 8402-01-000 TO ATTACH TO SIDEWALL.



49X BED-QUEEN BACKWALL



45G BED-TWINS