

- SINK 104113-01-000
- STRAINER 92303-01-000 (2)
- SEAL 91255-02-000 (A/R)
- RETAINER 105497-01-000 (2)
- 105497-02-000 (2)
- SCREW G67-10-126 (20)

- SHOWER PAN 115611-02-CHT
- SHOWER ENCLOSURE INSTL 116119-01-000 (43F)
- TAILPIECE 11069-01-000
- NUT 130403-01-000
- WASHER 127440-02-CHT
- STRAINER 66729-01-000
- SEALANT

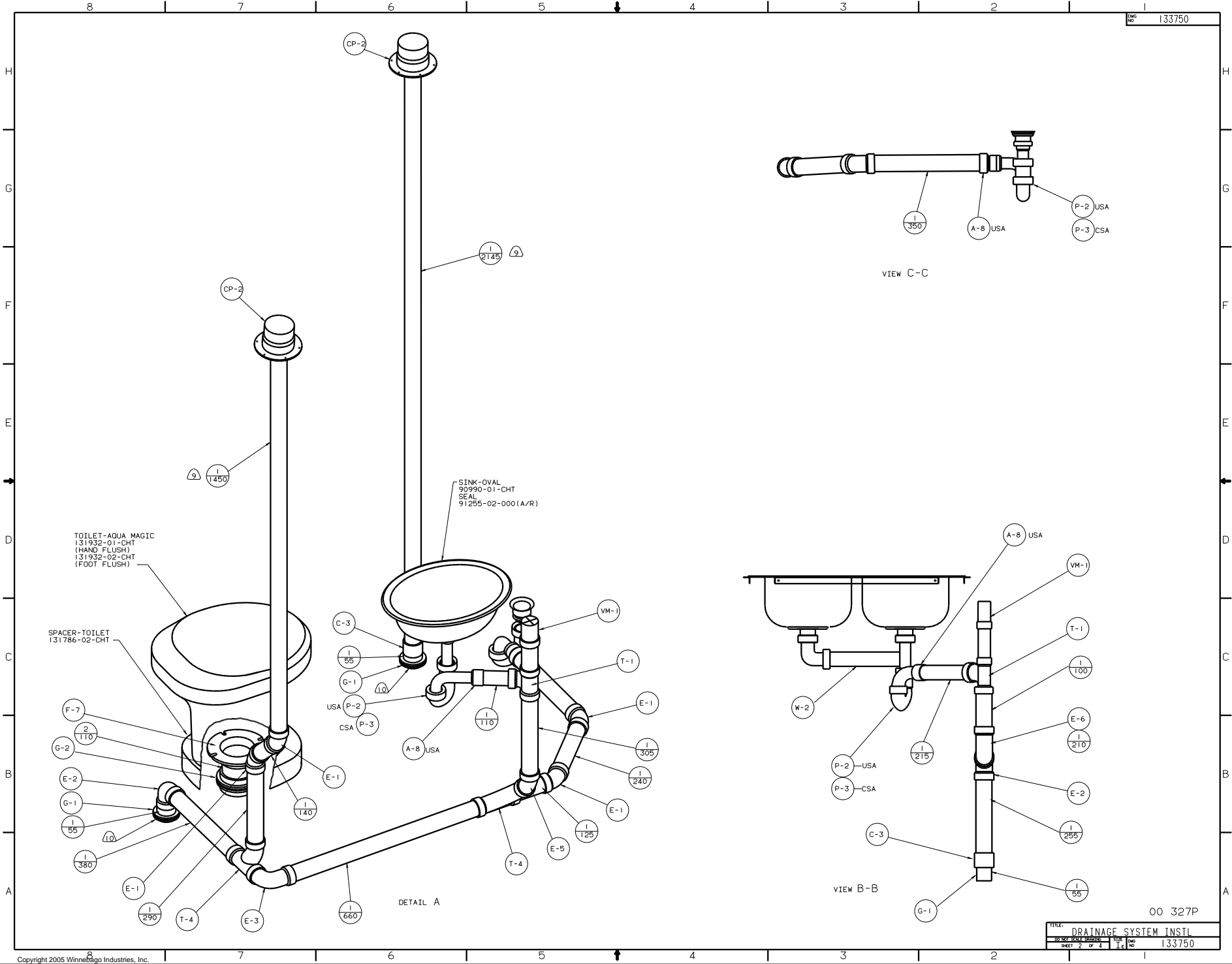
- HOLDER-RING 56134-02-000
- BOLT C12-05-16B
- NUT D12-05-00B
- HANGER-STRAP 56133-13-000
- BOLT C18-05-40A
- NUT D39-05-00B

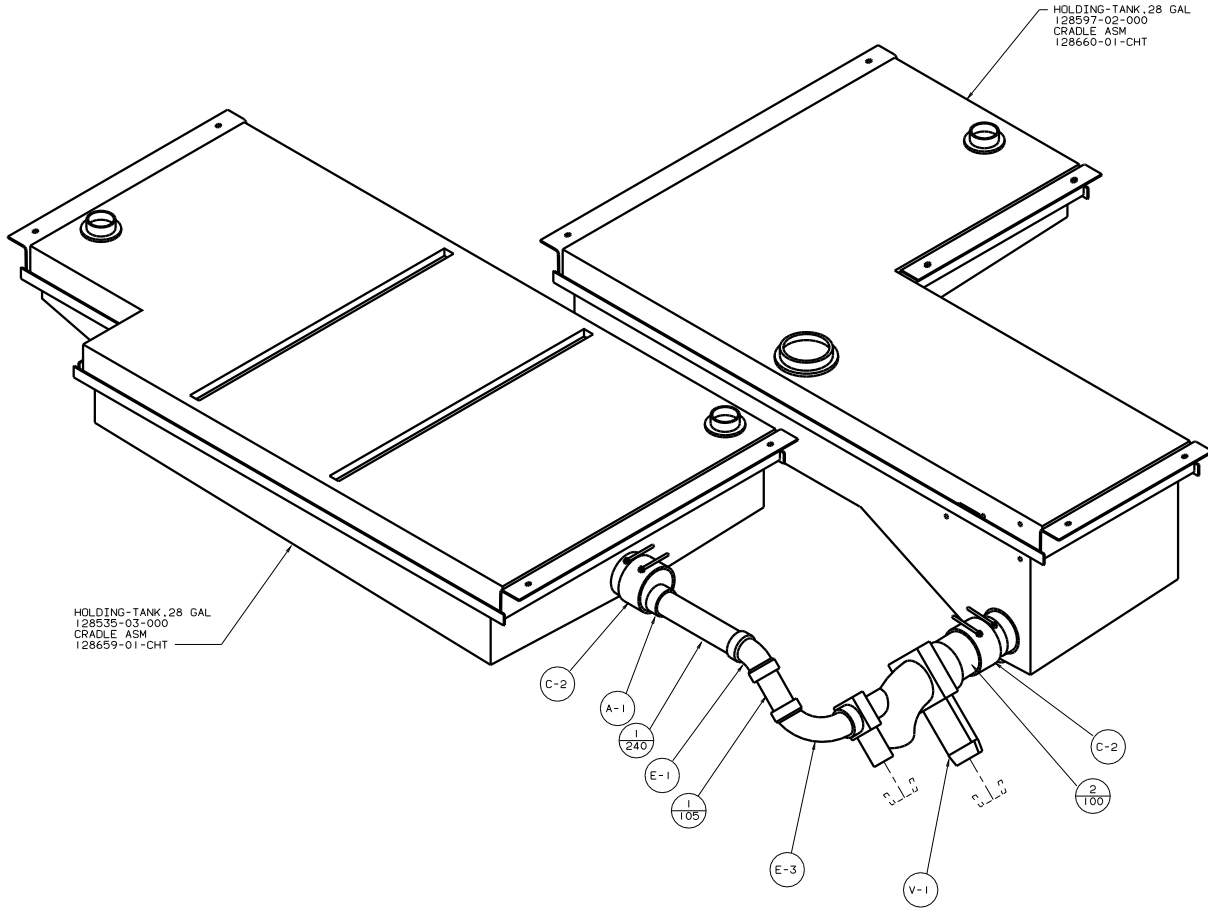
- 13 SEE WIRING INSTL-BODY. 12V FOR ELECTRICAL CONNECTIONS.
- 12 SECURE PIPES TO CABINET USING WIRE TIE 108046-02-000 AND SCREW G67-10-12U(8).
- 11 TRIM P-TRAP EXTENSION TO FIT.
- 10 SECURE VENT TUBES TO FLOOR WITH BRACKET 95061-01-000(2), CLAMP 62401-02-000, SCREW G67-10-12B(2).
- 9 VENT PIPE MUST PROJECT 51 MM MIN AND 64 MM MAX ABOVE ROOF FOR PROPER FIT AND FUNCTION.
- 8 SEE DWG 61607-01-000 FOR INSTL OF GROMMETS.
- 7 SEAL ALL AROUND SHOWER WITH SILICONE.
- 6 FOR CAN UNITS EACH HOLDING TANK SHALL HAVE A CSA APPROVAL STAMPED NEAR THE IAMPO APPROVAL.
- 5 EXPOSED PIPE ABOVE ROOF TO BE PAINTED 37163-01-000.
- 4 ALL EXTERIOR OPENINGS AROUND PIPE TO BE SEALED WITH 110744-01-000.
- 3 ALL PIPE AND FITTINGS TO BE ASSEMBLED WITH SOLVENT 4020-01-000.
- 2 SLOPE OF TRAP ARM MUST BE 6 PER 305.
- 1 SLOPE OF HORIZONTAL PIPING TO BE 6 PER 305 MIN.

237 HEATED HOLDING TANK-PACKAGE
 43F SHOWER SURROUND

DPRN		DATE	UNDESIGNED TOLERANCES ARE	MATERIAL:
DWG	DATE	NO. IN PLACE (1)	± .7	
P.E.	DATE	NO. IN PLACE (1)	± .1	
DWG	DATE	NO. IN PLACE (1)	± .1	
P.E.	DATE	NO. IN PLACE (1)	± .1	
DWG	DATE	NO. IN PLACE (1)	± .1	
P.E.	DATE	NO. IN PLACE (1)	± .1	
DWG	DATE	NO. IN PLACE (1)	± .1	
P.E.	DATE	NO. IN PLACE (1)	± .1	
LAYER NO.		DATE	TITLE	
2		REF: 130428 E	DRAINAGE SYSTEM INSTL	
ALL DIMENSIONS ARE IN MILLIMETERS		SHEET 1 OF 4		133750

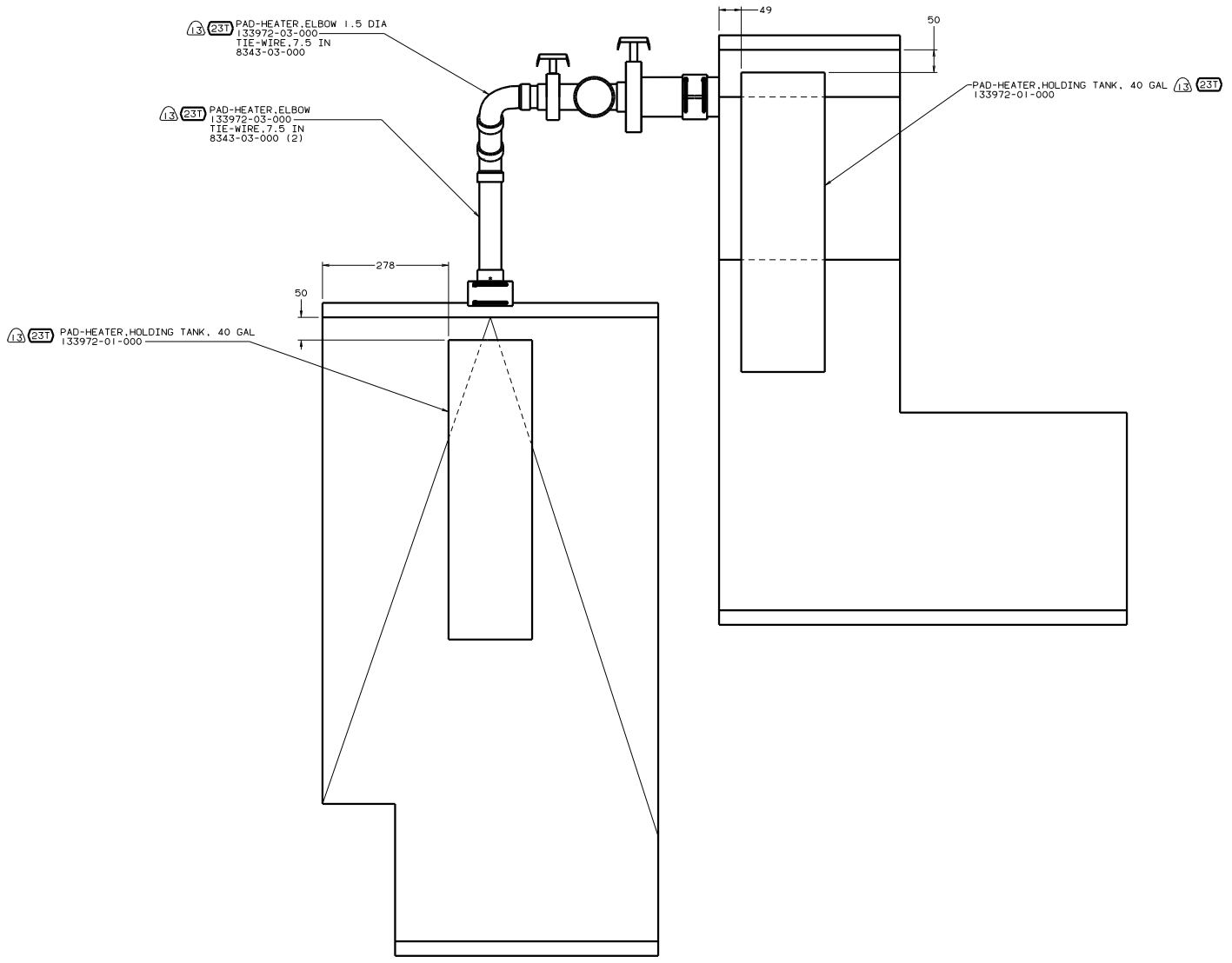
(X-X)
 FOR DRAINAGE CALLOUTS SEE DWG NO. 116229-01-000





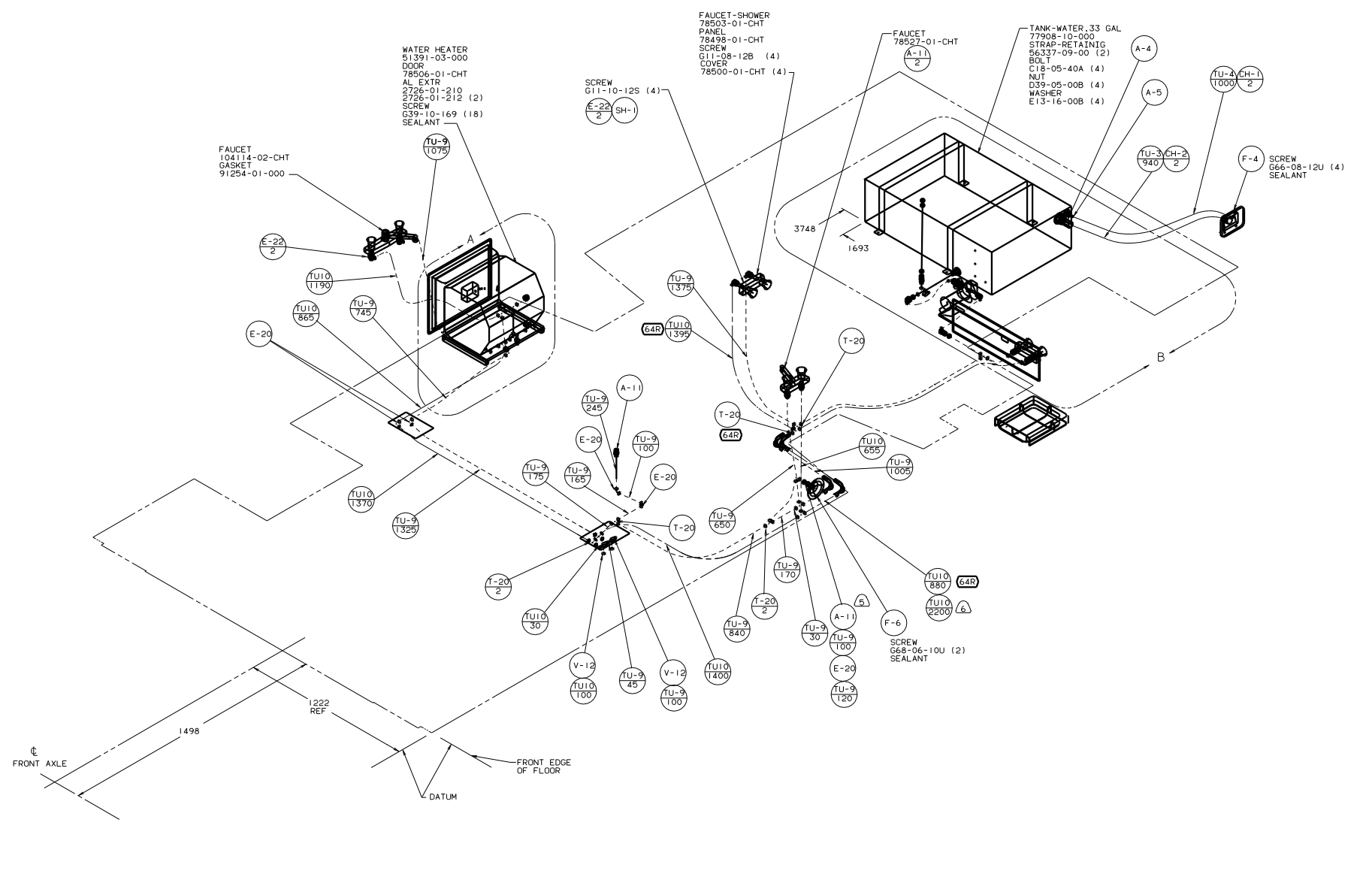
DETAIL D

H
G
F
E
D
C
B
A



00 327P

TITLE: DRAINAGE SYSTEM INSL	
DATE: 05/01/05	REV: 1
SHEET: 4 of 4	DRW NO: 133750



WATER HEATER
 51391-03-000
 DOOR
 78506-01-CHT
 AL EXTR
 2726-01-210
 2726-01-212 (2)
 SCREW
 G39-10-169 (18)
 SEALANT

FAUCET-SHOWER
 78503-01-CHT
 PANEL
 78498-01-CHT
 SCREW
 G11-08-12B (4)
 COVER
 78500-01-CHT (4)

TANK-WATER, 33 GAL
 77908-10-000
 STRAP-RETAINING
 56337-09-00 (2)
 BOLT
 C18-05-40A (4)
 NUT
 D39-05-00B (4)
 WASHER
 E13-16-00B (4)

FAUCET
 104114-02-CHT
 GASKET
 91254-01-000

SCREW
 G11-10-12S (4)
 E-22
 SH-1

FAUCET
 78527-01-CHT
 A-11
 2

A-4

A-5

TU-4 CH-1
 1000
 2

F-4 SCREW
 G66-08-12U (4)
 SEALANT

E-22
 2

TU10
 1190

TU10
 865

TU-9
 745

E-20

TU-9
 1375

64R TU10
 1395

T-20

TU-9
 245

E-20

TU-9
 100

E-20

TU-9
 175

TU-9
 165

T-20

TU-9
 650

TU-9
 170

T-20
 2

TU-9
 840

TU-9
 30

A-11

TU-9
 100

E-20

TU-9
 120

F-6 SCREW
 G68-06-10U (2)
 SEALANT

TU10
 880

TU10
 2200

64R

TU10
 1370

TU-9
 1325

T-20
 2

TU10
 30

V-12

TU10
 100

TU-9
 45

V-12

TU-9
 100

1498

1222 REF

FRONT AXLE

FRONT EDGE OF FLOOR

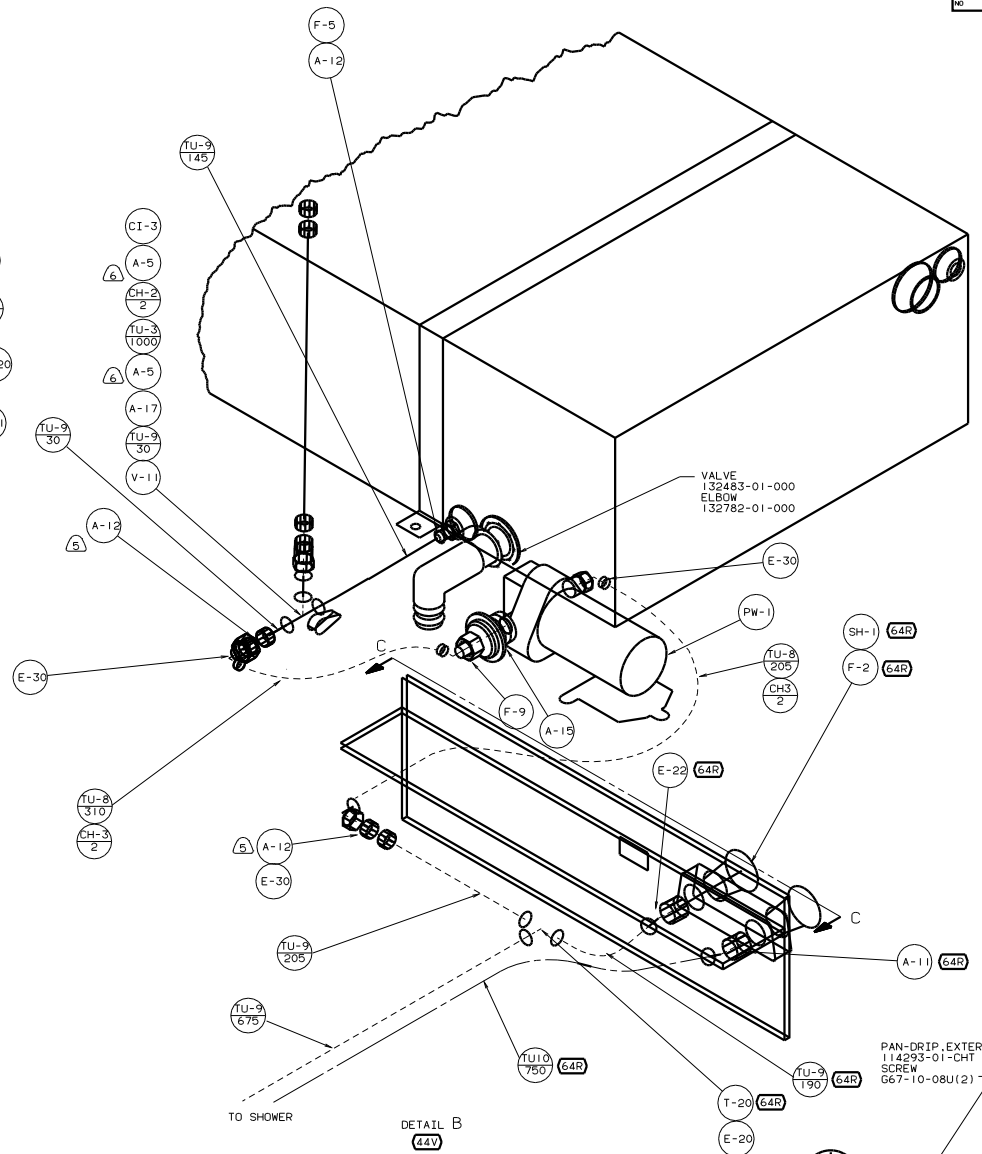
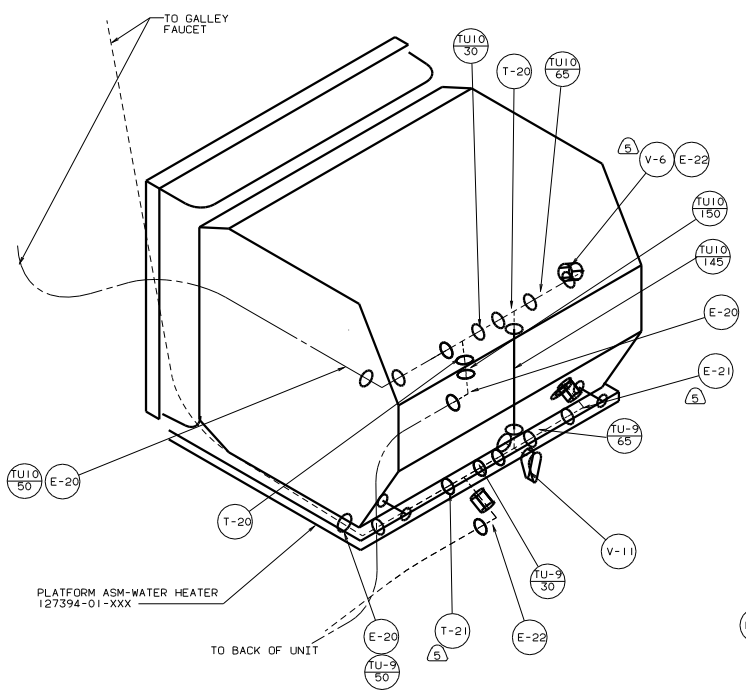
DATUM

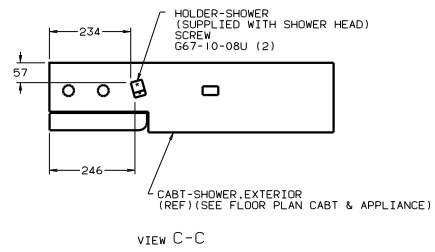
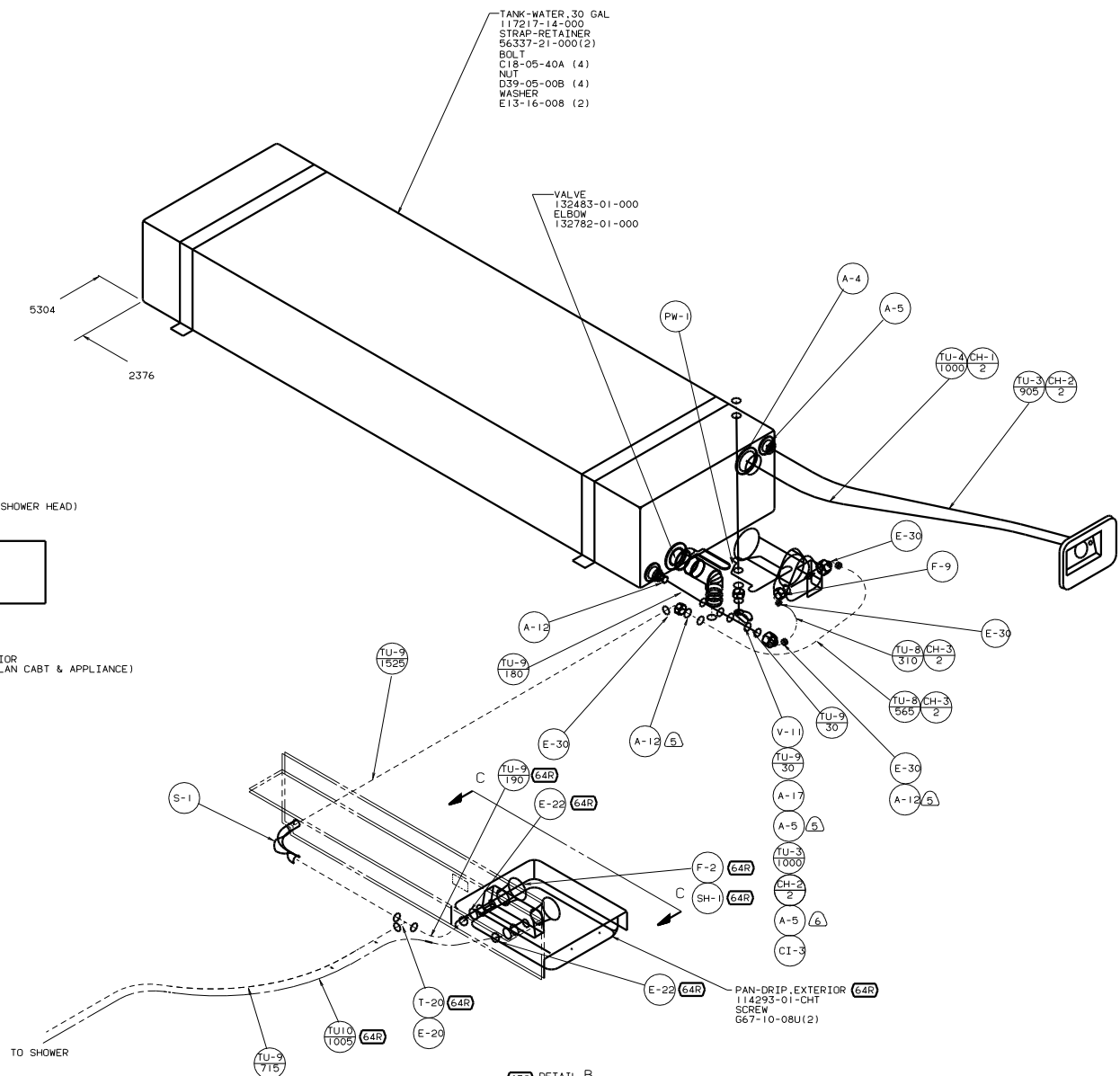
- ④ ADD TEFLON TAPE 10405-03-000 TO FITTING.
- ⑤ ADD TEFLON TAPE 10405-02-000 TO FITTING.
- ④ CAP SEAL. SEE SEALANT MANUAL.
- 3. ALL TUBING TO BE SECURED AT 1200 INTERVALS MAX WITH CLAMP 10495-01-000 OR CLIP 91951-01-000 AND SCREW G67-10-12B.
- 2. TUBING TO BE INSTALLED WITH SUFFICIENT SLOPE TO PROVIDE DRAINAGE TO NEAREST VALVE.
- 1. PLASTIC FITTINGS TO BE SEALED WITH SEALANT 84456-01-000.

NOTES:

- ⑥⑥ WINDOW COACH-SINGLE PANE
- ④④V BED-DOUBLE SIDEWALL
- ⑥④R EXTERIOR WASH STATION

LEGEND		WINNEBAGO	
HOT	●●●●	DATE	UNSPECIFIED TOLERANCES ARE:
COLD	○ ○ ○ ○	DATE	WHOLE DIM (IN)
		DATE	ONE-PLACE (IN, IN)
		DATE	TWO-PLACE (IN, IN)
		DATE	ANGLE
		DATE	THIRD-PLACE PROJECTION
		DATE	
FOR WATER CALLOUTS SEE DWG NO. 116230-01-000		TITLE: WATER SYSTEM INSTL	
LARGEST NO.	SCALE: NONE	SHEET	NO
		2	133780





00 327P

TITLE: WATER SYSTEM INSTL	
NO. OF SHEETS	TOTAL SHEETS
3 OF 3	3
DWG. NO. 133780	