

- ⑬ SEE WIRING INSTL-BODY, 12V FOR ELECTRICAL CONNECTIONS.
 - ⑭ SECURE PIPES TO CABINETS USING WIRE TIE 108046-02-000 AND SCREW G67-10-12U (8).
 - ⑮ NOT USED WITH 43F SHOWER SURROUND.
 - ⑯ SECURE DRAIN TUBES TO FLOOR.
 - ⑰ VENT PIPE MUST PROJECT 51 MM MIN AND 64 MM MAX ABOVE ROOF FOR PROPER FIT AND FUNCTION.
 - ⑱ SEE DWG 61607-01-000 FOR INSTL OF GROMMETS.
 - ⑲ SEAL ALL AROUND SHOWER WITH SILICONE 78474-01-CHT.
6. FOR CANADIAN UNITS EACH HOLDING TANK SHALL HAVE A CSA APPROVAL STAMPED NEAR THE IAMPO APPROVAL.
5. EXPOSED PIPE ABOVE ROOF TO BE PAINTED WITH 37163-01-000.
4. ALL EXTERIOR OPENINGS AROUND PIPE TO BE SEALED WITH 11074-01-000.
3. ALL PIPE AND FITTINGS TO BE ASSEMBLED WITH SOLVENT 4020-01-000.
2. SLOPE OF TRAP ARM MUST BE 6 PER 305.
1. SLOPE OF HORIZONTAL PIPING TO BE 6 PER 305 MIN.
- NOTES:

⑳ HEATED HOLDING TANKS-PACKAGE
 ⑳ SHOWER SURROUND

X-X

FOR DRAINAGE CALLOUTS SEE DWG NO. 116229-01-000

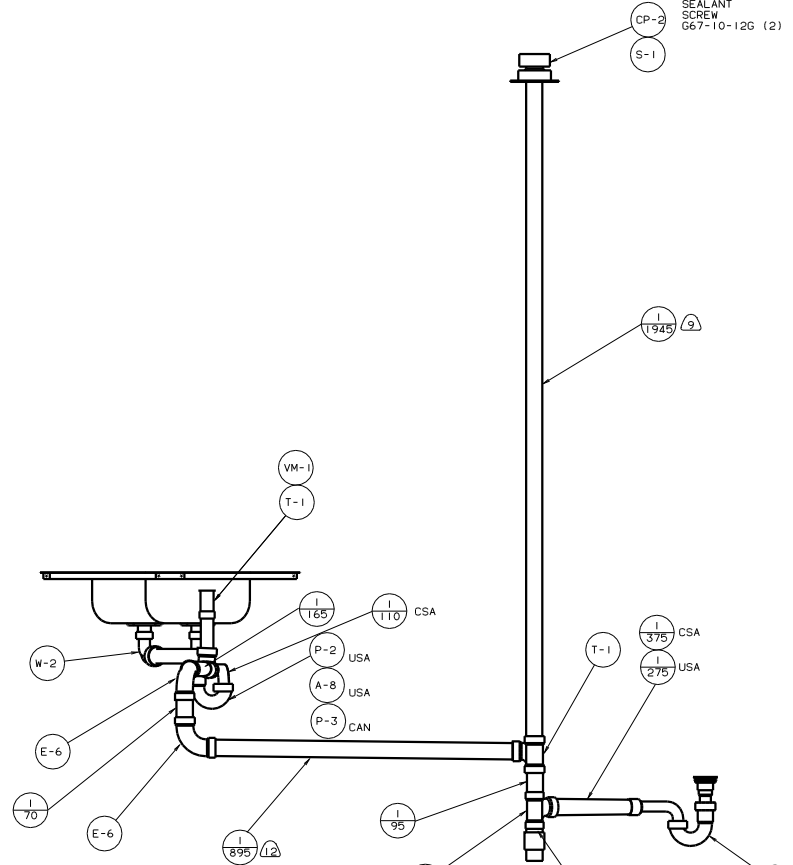
QTY	DATE	UNDESIGNED TOLERANCES ARE:	INTERVAL:
CHG	DATE	ANGLE DIM (H, V)	
DTE	DATE	ONE-PLACE (H, V)	
WTE	DATE	TWO-PLACE (H, V)	
DATE	DATE	ANGLE	
DATE	DATE	THIRD PLACE	
DATE	DATE	PROJECTION	

WINNEBAGO 00 322R

LARGE 322R
 NO. 101 # SCALE NONE TO DIM SCALE 1:1 SHEET 1 OF 3

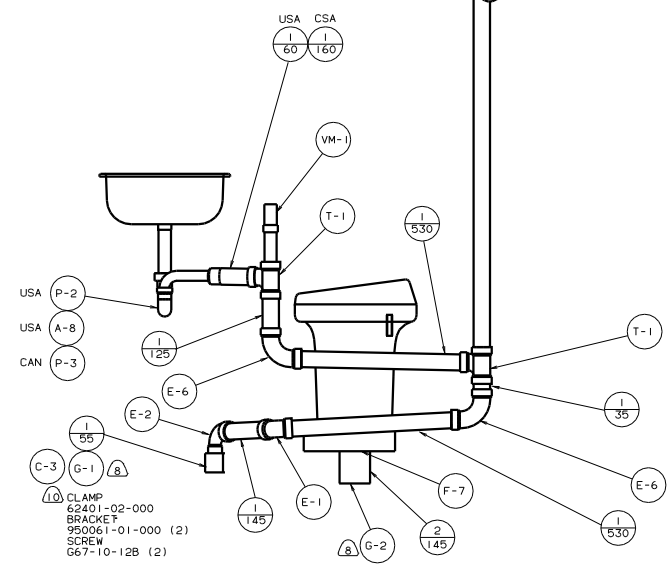
DRAINAGE SYSTEM INSTL
 131915

SEALANT
SCREW
G67-10-126 (2)



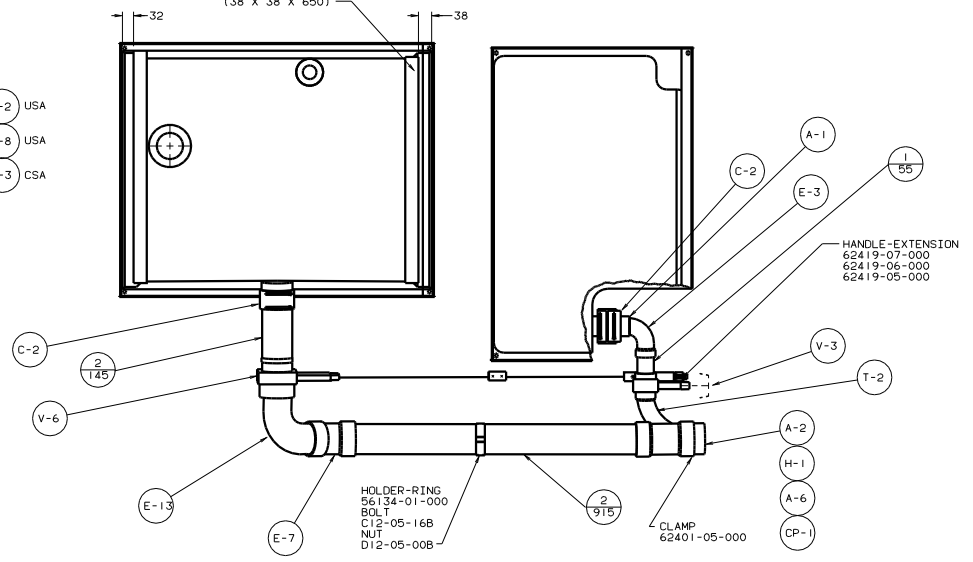
VIEW A-A

CLAMP
62401-02-000
BRACKET
95061-01-000 (2)
SCREW
G67-10-126 (2)



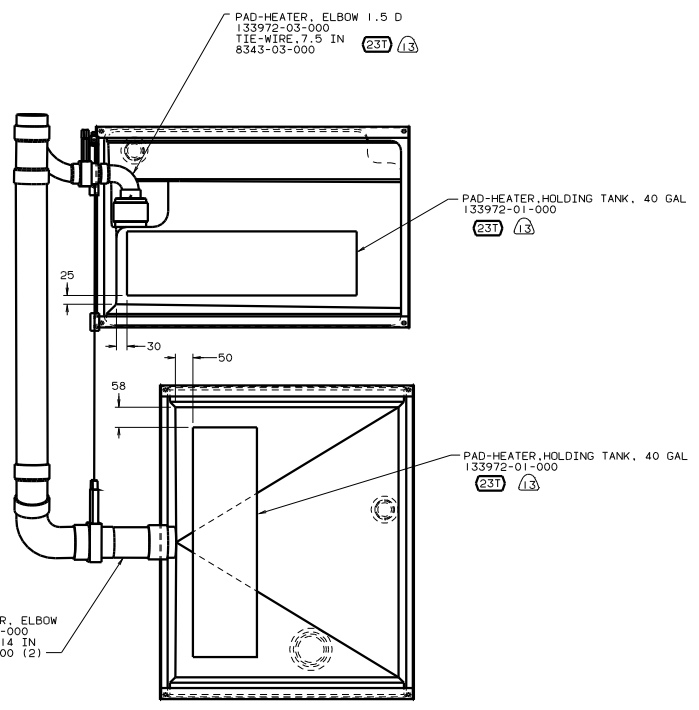
VIEW B-B

EXTR TUBE
64240-51-046 (2)
(38 X 38 X 650)

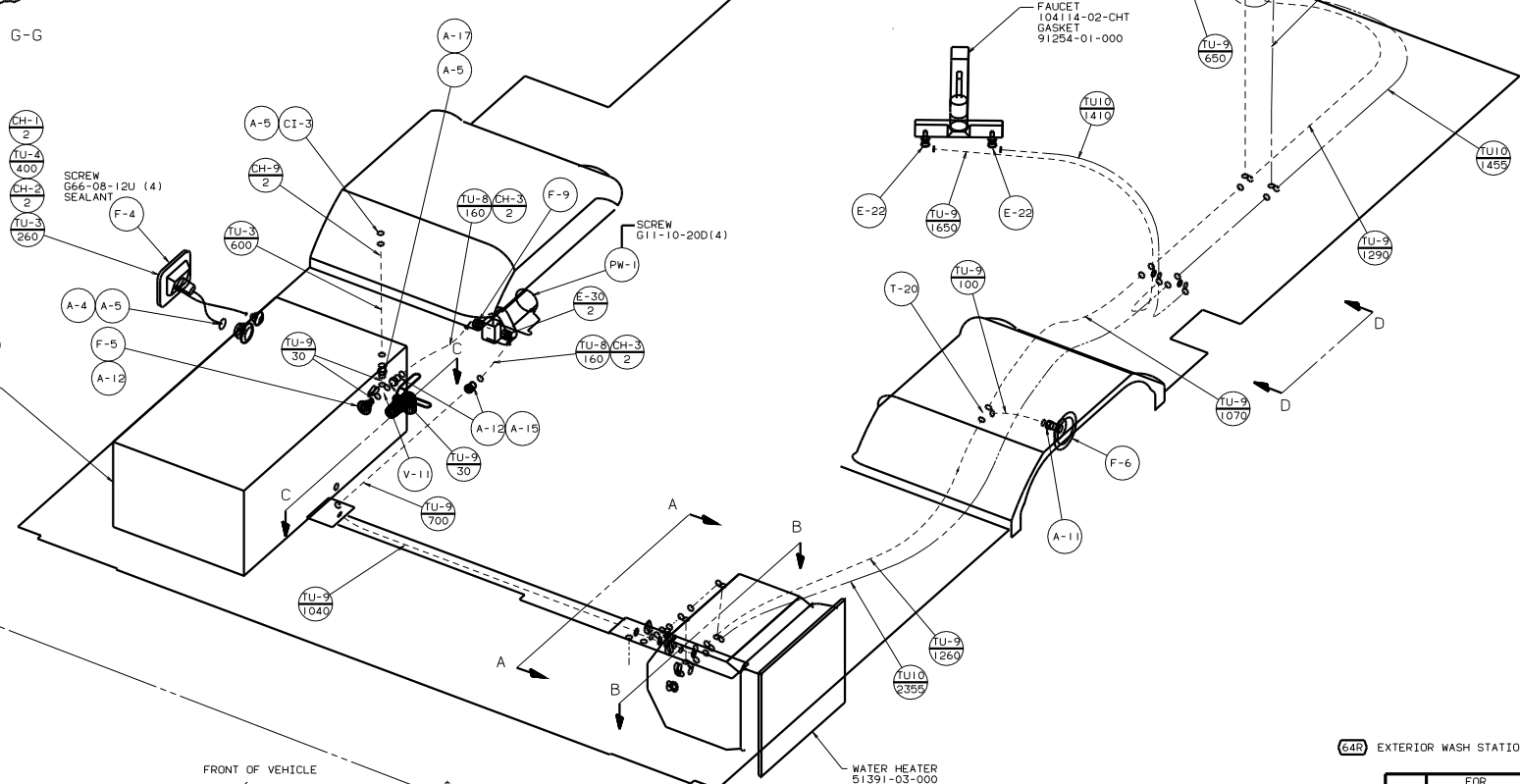
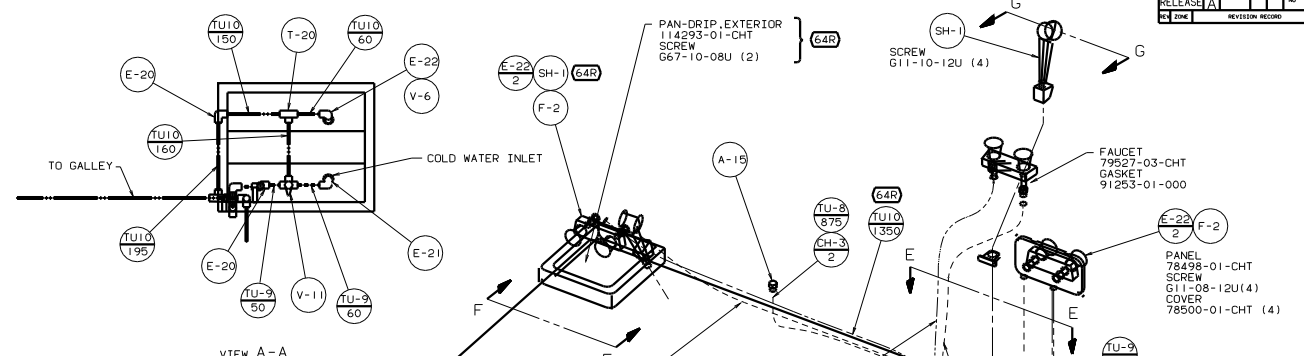
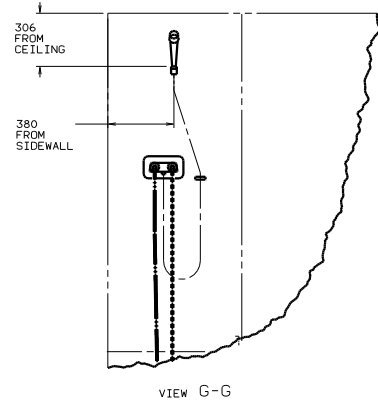


VIEW C-C

HOLDER-RING
56134-01-000
BOLT
C12-05-16B
NUT
D12-05-00B



VIEW D-D



- CH-1 2
- TU-2 400
- CH-2 2
- TU-3 260
- SCREW
 G66-08-12U (4)
 SEALANT
- F-4
- A-4 A-5
- F-5
- A-12
- TANK ASM-WATER
 45195-05-000
 STRAP
 54168-28-000(2)
 BOLT
 C18-05-40A(4)
 NUT
 D34-05-00C(4)

- A-17
- A-5
- CI-3
- CH-3 2
- TU-3 600
- F-4
- TU-9 30
- TU-9 1600
- PW-1
- SCREW
 G11-10-20D(4)
- E-30 2
- TU-8/CH-3
 160 2
- A-12 A-15
- V-11
- TU-9 30
- TU-9 700
- TU-9 1040

- A-15
- TU-8 875
- CH-3 2
- TU-10 1350
- FAUCET
 104114-02-CHT
 GASKET
 91254-01-000
- TU-10 1410
- E-22
- TU-9 1650
- E-22
- T-20
- TU-9 100
- TU-9 1260
- TU-10 2355
- TU-9 1070
- F-6
- A-11
- TU-9 1290
- TU-10 1455

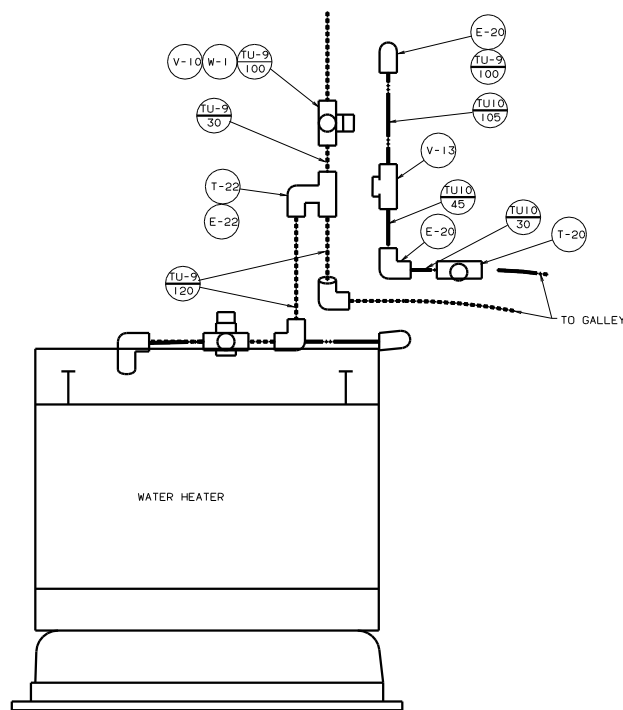
(64R) EXTERIOR WASH STATION

(X-X) FOR WATER CALLOUTS SEE DWG NO. 116230-01-000

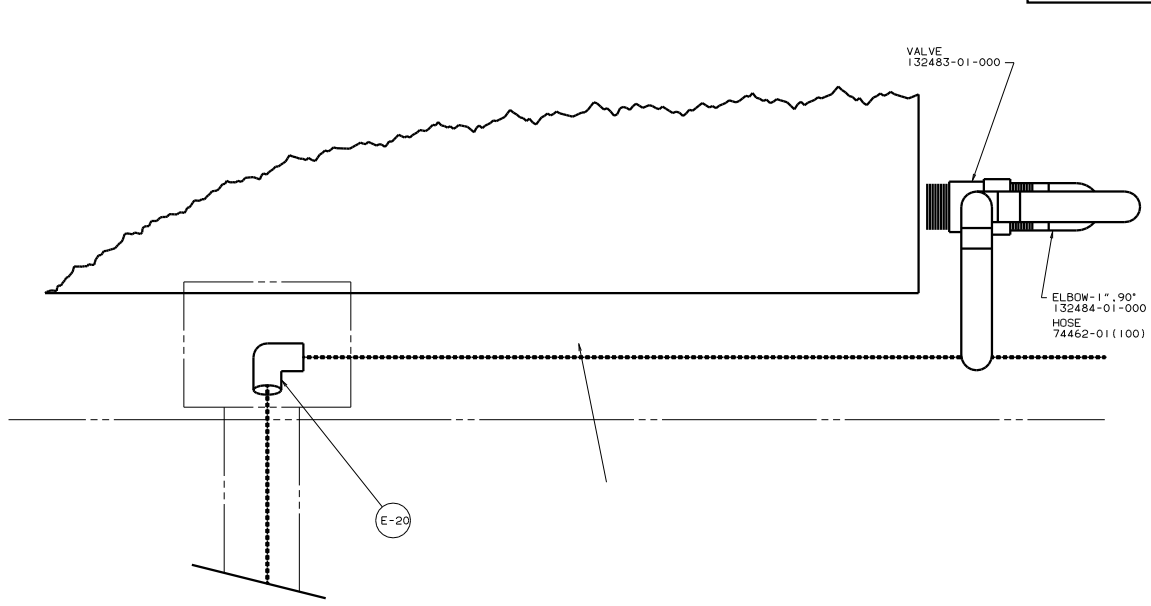
3. ALL TUBING TO BE SECURED AT 1200 INTERVALS MAXIMUM WITH CLAMP 10495-01-000 AND SCREW G67-10-12B.
2. TUBING TO BE INSTALLED WITH SUFFICIENT SLOPE TO PROVIDE DRAINAGE TO NEAREST VALVE.
1. PLASTIC FITTINGS TO BE SEALED WITH SEALANT 84456-01-000.

LEGEND	
HOT	-----
COLD	-----

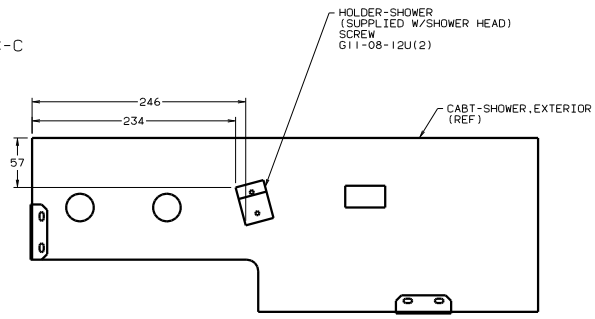
WINNEBAGO		00 322R
DATE	UNSPECIFIED TOLERANCES ARE:	MATERIAL
DATE	WHOLE DIM (IN)	F
DATE	ONE-PLACE (IN.XX)	.
DATE	TWO-PLACE (IN.XXX)	0.005
DATE	MILL	0.001
DATE	THIRD PLACE (IN.XXX)	0.0005
DATE	FOURTH PLACE (IN.XXXX)	0.0001
DATE	FIFTH PLACE (IN.XXXXX)	0.00005
DATE	SIXTH PLACE (IN.XXXXXX)	0.00001
DATE	SEVENTH PLACE (IN.XXXXXXX)	0.000005
DATE	EIGHTH PLACE (IN.XXXXXXX)	0.000001
DATE	NINTH PLACE (IN.XXXXXXX)	0.0000005
DATE	TENTH PLACE (IN.XXXXXXX)	0.0000001
DATE	ELEVENTH PLACE (IN.XXXXXXX)	0.00000005
DATE	TWELFTH PLACE (IN.XXXXXXX)	0.00000001
DATE	THIRTEENTH PLACE (IN.XXXXXXX)	0.000000005
DATE	FOURTEENTH PLACE (IN.XXXXXXX)	0.000000001
DATE	FIFTEENTH PLACE (IN.XXXXXXX)	0.0000000005
DATE	SIXTEENTH PLACE (IN.XXXXXXX)	0.0000000001
DATE	SEVENTEENTH PLACE (IN.XXXXXXX)	0.00000000005
DATE	EIGHTEENTH PLACE (IN.XXXXXXX)	0.00000000001
DATE	NINETEENTH PLACE (IN.XXXXXXX)	0.000000000005
DATE	TWENTIETH PLACE (IN.XXXXXXX)	0.000000000001
DATE	UNSPECIFIED TOLERANCES ARE:	MATERIAL
DATE	WHOLE DIM (IN)	F
DATE	ONE-PLACE (IN.XX)	.
DATE	TWO-PLACE (IN.XXX)	0.005
DATE	MILL	0.001
DATE	THIRD PLACE (IN.XXX)	0.0005
DATE	FOURTH PLACE (IN.XXXX)	0.0001
DATE	FIFTH PLACE (IN.XXXXX)	0.00005
DATE	SIXTH PLACE (IN.XXXXX)	0.00001
DATE	SEVENTH PLACE (IN.XXXXX)	0.000005
DATE	EIGHTH PLACE (IN.XXXXX)	0.000001
DATE	NINTH PLACE (IN.XXXXX)	0.0000005
DATE	TENTH PLACE (IN.XXXXX)	0.0000001
DATE	ELEVENTH PLACE (IN.XXXXX)	0.00000005
DATE	TWELFTH PLACE (IN.XXXXX)	0.00000001
DATE	THIRTEENTH PLACE (IN.XXXXX)	0.000000005
DATE	FOURTEENTH PLACE (IN.XXXXX)	0.000000001
DATE	FIFTEENTH PLACE (IN.XXXXX)	0.0000000005
DATE	SIXTEENTH PLACE (IN.XXXXX)	0.0000000001
DATE	SHEET	1 OF 2
DATE	FIG. NO.	131957



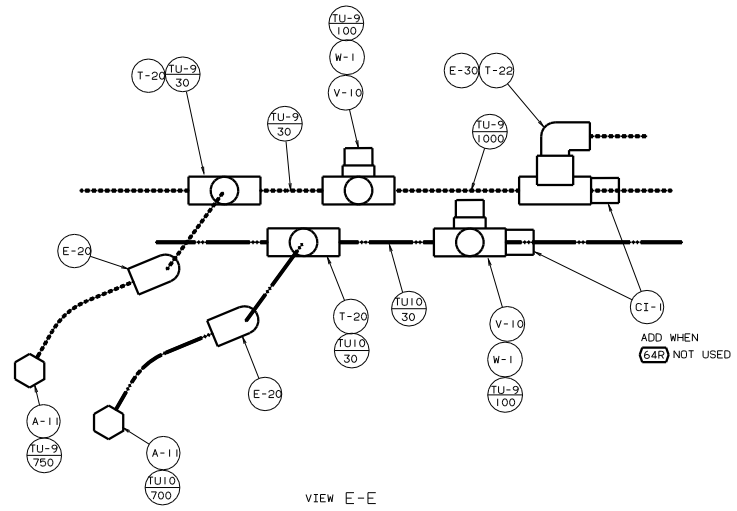
VIEW B-B



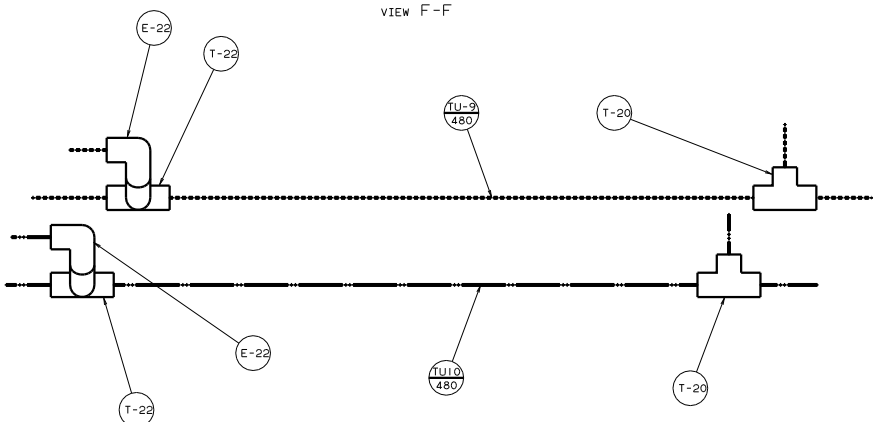
VIEW C-C



VIEW F-F



VIEW E-E



VIEW D-D