

⑩ SEE WIRING INSTL-BODY. 12V FOR ELECTRICAL CONNECTIONS.

9. SECURE PIPES TO CABINET USING WIRE TIE 108046-02-000 AND SCREW G67-10-12U (8).

⑧ VENT PIPE MUST PROJECT 51 MIN TO 64 MAX ABOVE ROOF FOR PROPER FIT AND FUNCTION.

7. SEE DWG 61607-01-000 FOR INSTL OF GROMMET.

6. SEAL ALL AROUND SHOWER PAN.

5. FOR CANADIAN UNITS EACH HOLDING TANK SHALL HAVE A CSA APPROVAL STAMPED NEAR THE IAPMO APPROVAL.

4. ALL EXTERIOR OPENINGS AROUND PIPE TO BE SEALED WITH 110744-01-000.

3. ALL PIPE AND FITTINGS TO BE ASSEMBLED WITH SOLVENT 4020-01-000.

2. SLOPE OF TRAP MUST BE 6 PER 300 MINIMUM.

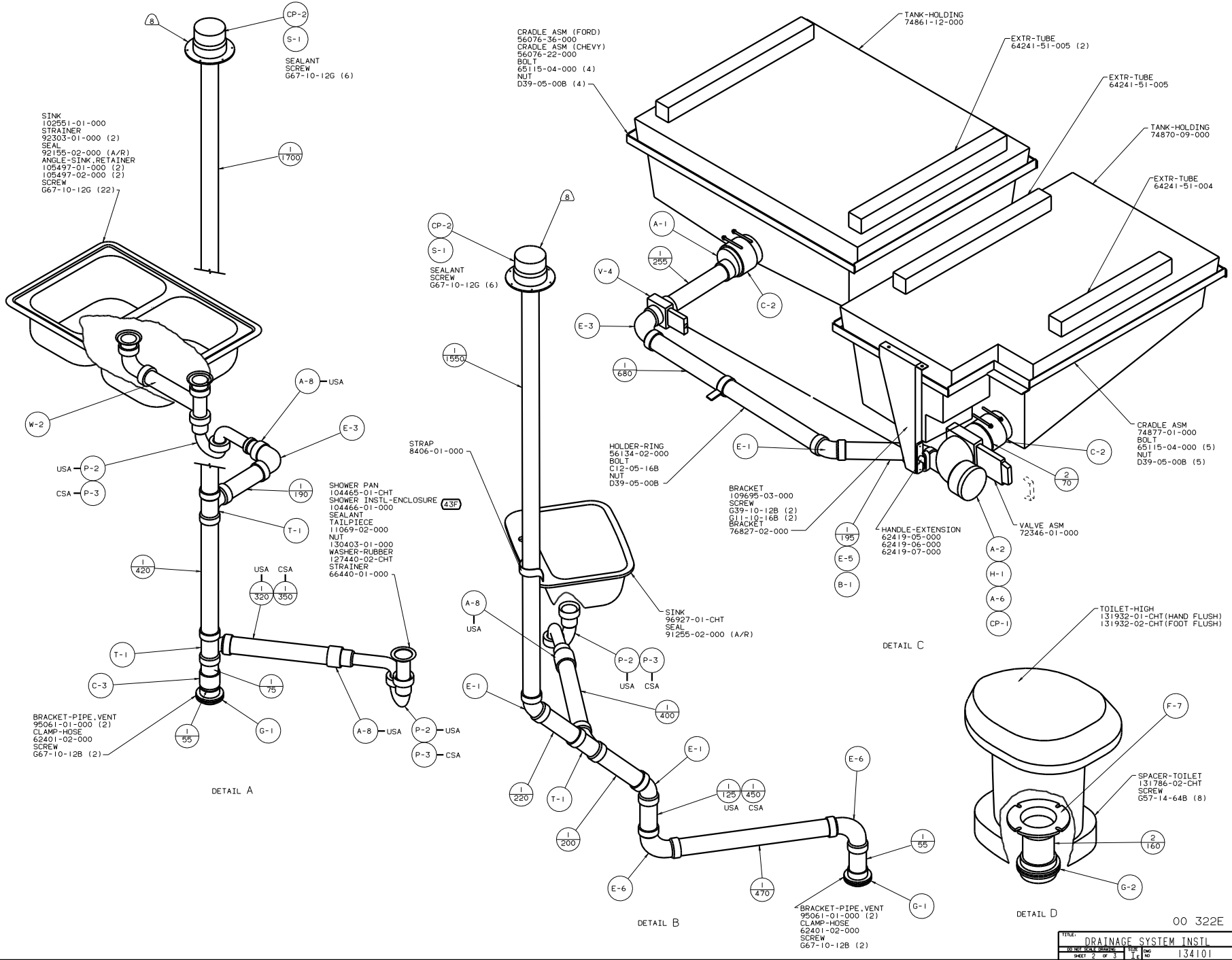
1. SLOPE OF HORIZONTAL PIPING TO BE 6 PER 300 MINIMUM.

②31 HEATED HOLDING TANKS-PACKAGE

④3F SHOWER SURROUND

FOR DRAINAGE CALL-OUTS SEE DWG NO. 116229-01-000

WINNEBAGO		00 322E
QTY	DATE	UNSPECIFIED TOLERANCES ARE:
CHP	DATE	WHOLE DIM (IN)
PIE	DATE	ONE-PLACE (IN.XI)
PIE	DATE	TWO-PLACE (IN.XX)
PIE	DATE	ANGLE
CDR	DATE	THIRD ANGLE PERSPECTIVE
DRW NO	00C322E	TITLE
REV #	SCALE	NOTE
ALL DIMENSIONS ARE IN MILLIMETERS	SHEET	1 OF 3
DRAINAGE SYSTEM INSTL		134101

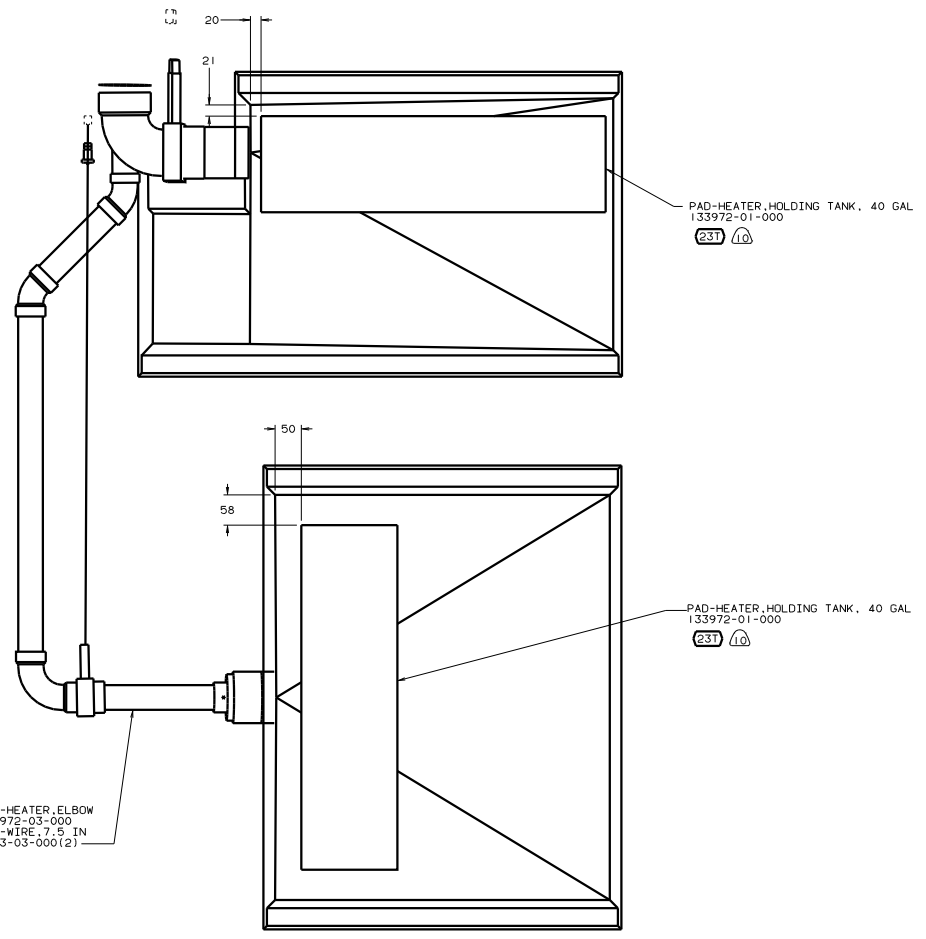


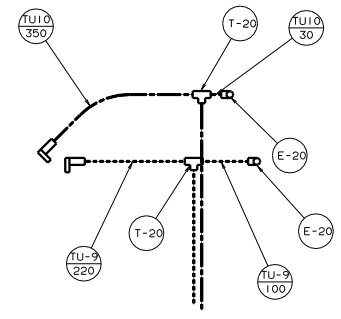
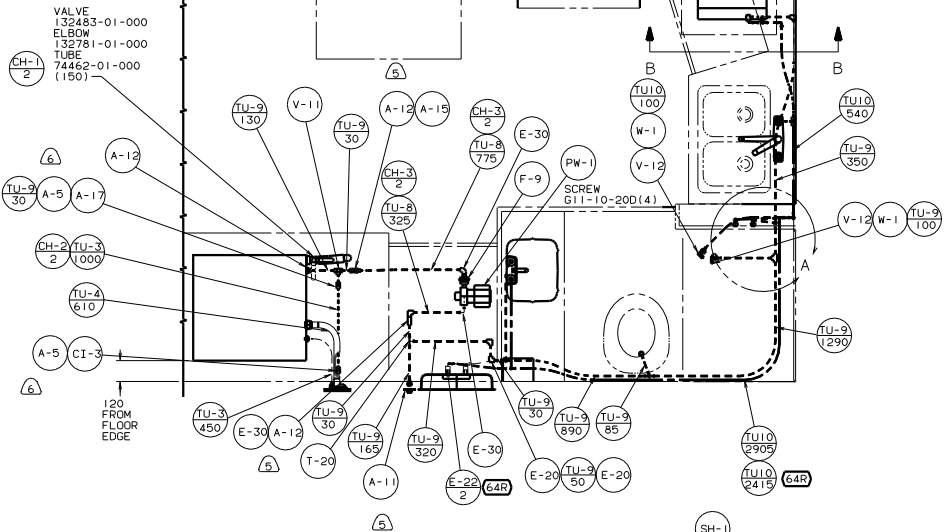
DETAIL A

DETAIL B

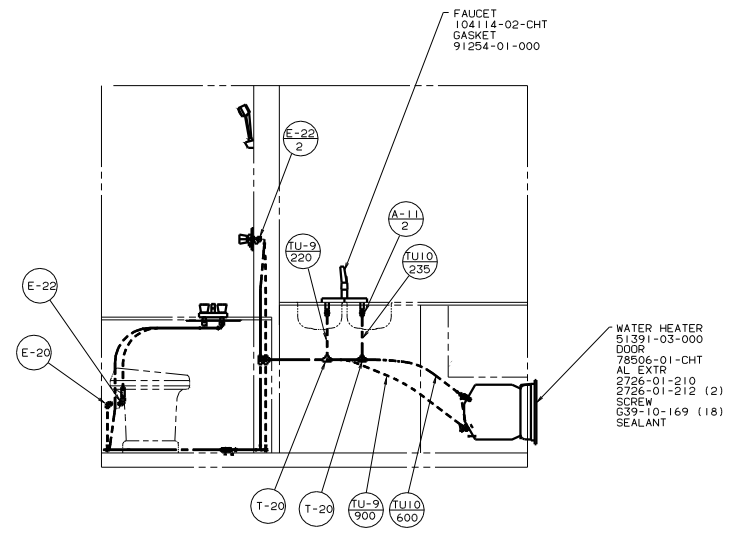
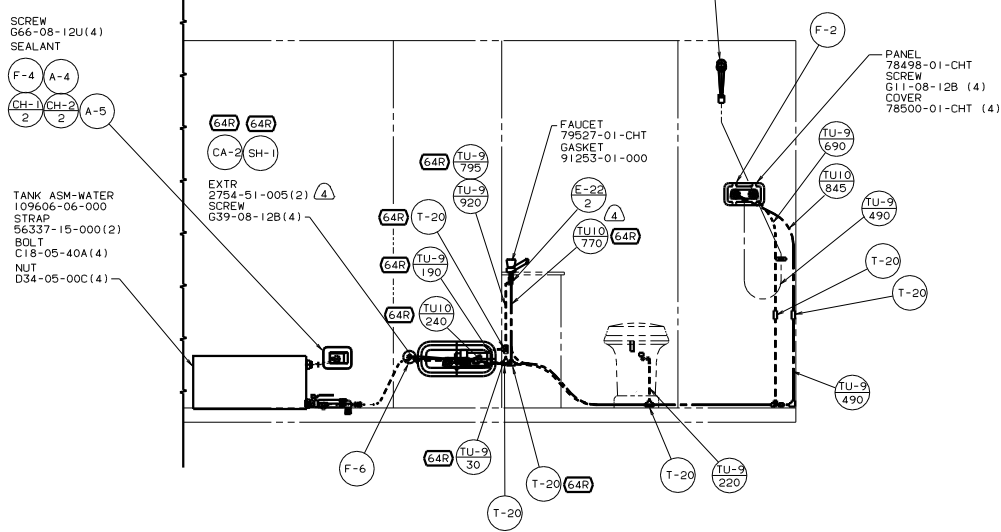
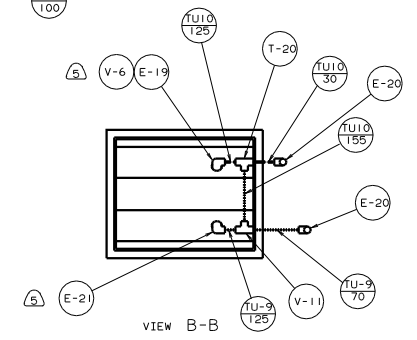
DETAIL C

DETAIL D





DETAIL A



64R EXTERIOR WASH STATION

- 6 ADD TEFLON TAPE 10405-03-000 TO FITTING.
  - 5 ADD TEFLON TAPE 10405-02-000 TO FITTING.
  - 4 CAPSEAL SEE SEALANT MANUAL.
3. ALL TUBING TO BE SECURED AT 1200 INTERVALS MAX WITH CLAMP 10495-01-000 AND SCREW G67-10-12B.  
 2. TUBING TO BE INSTALLED WITH SUFFICIENT SLOPE TO PROVIDE DRAINAGE TO NEAREST VALVE.  
 1. PLASTIC FITTINGS TO BE SEALED WITH SEALANT 84456-01-000.

LEGEND

HOT	—————
COLD	—————

FOR WATER CALLOUTS SEE DWG. NO. 116230-01-000

X-X

WINNEBAGO				00 322E
DATE	DATE	UNSPECIFIED TOLERANCES ARE:	DATE	MATERIAL
DATE	DATE	1/2	DATE	
DATE	DATE	3/16	DATE	
DATE	DATE	1/8	DATE	
DATE	DATE	1/16	DATE	
DATE	DATE	1/32	DATE	
DATE	DATE	1/64	DATE	
DATE	DATE	1/128	DATE	
DATE	DATE	1/256	DATE	
DATE	DATE	1/512	DATE	
DATE	DATE	1/1024	DATE	

00C322E WATER SYSTEM INSTL

134100

REF: 129143 G I