

- 5. EXPOSED PIPE ABOVE ROOF TO BE PAINTED 37163-01-000.
- 4. ALL EXTERIOR OPENINGS AROUND PIPE TO BE SEALED WITH 69637-01-000.
- 3. ALL PIPE AND FITTINGS TO BE ASSEMBLED WITH SOLVENT 4020-01-000.
- 2. SLOPE OF TRAP ARM MUST BE 6 PER 305.
- 1. SLOPE OF HORIZONTAL PIPING TO BE 6 PER 305 MIN.

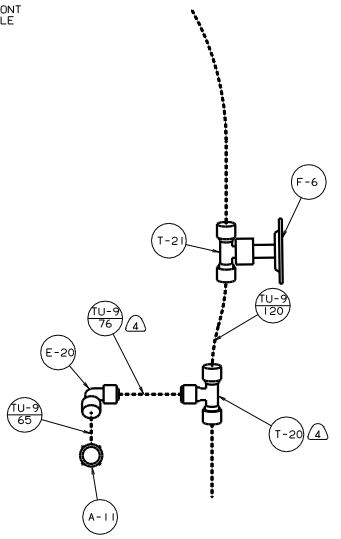
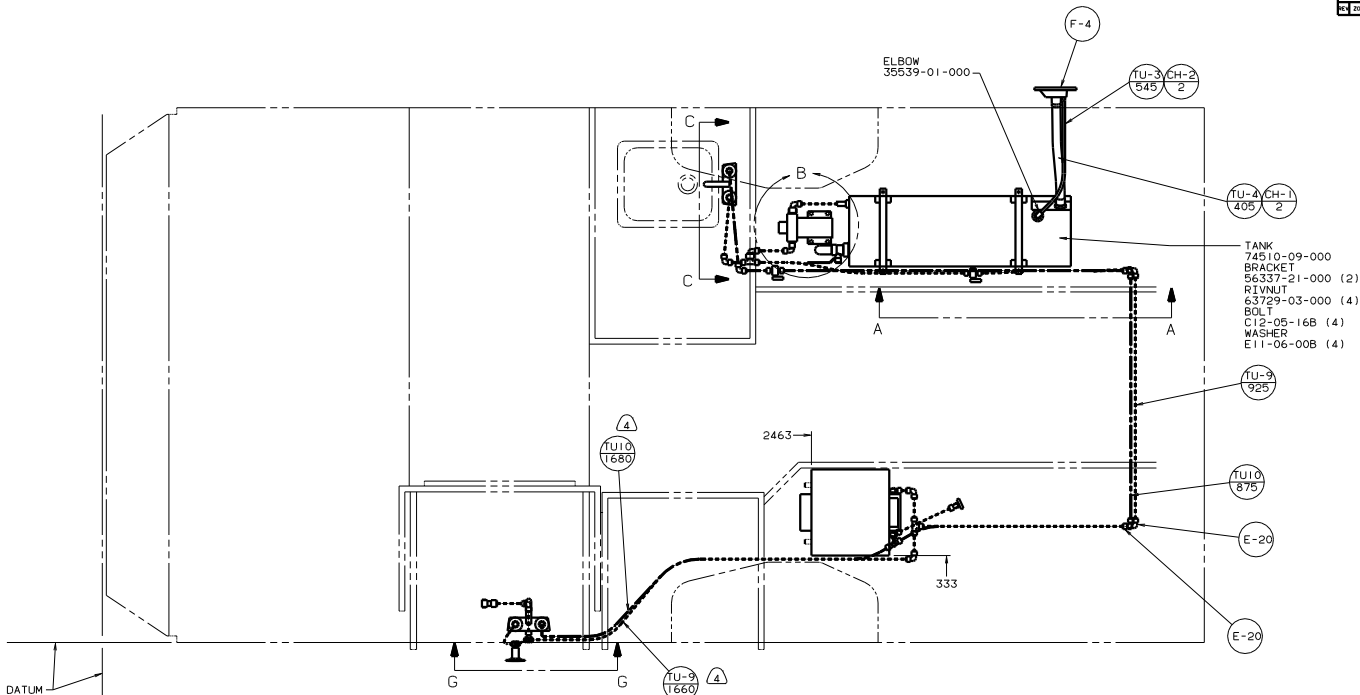
- ⑨ USE SCRAP CLOSED CELL NEOPRENE FROM 77075-01.-02 OR -03 ON HAT CHANNELS FOR VIBRATION DAMPENING.
- Ⓓ VENT PIPE MUST PROJECT 51 MIN AND 63.5 MAX ABOVE ROOF FOR PROPER FIT AND FUNCTION.
- Ⓔ SEE DWG 61607-01-000 FOR INSTALLATION OF GROMMET.

- 10. SECURE PIPES TO CABINET USING WIRE TIE 108046-02-000 AND SCREW G67-10-12U (8).

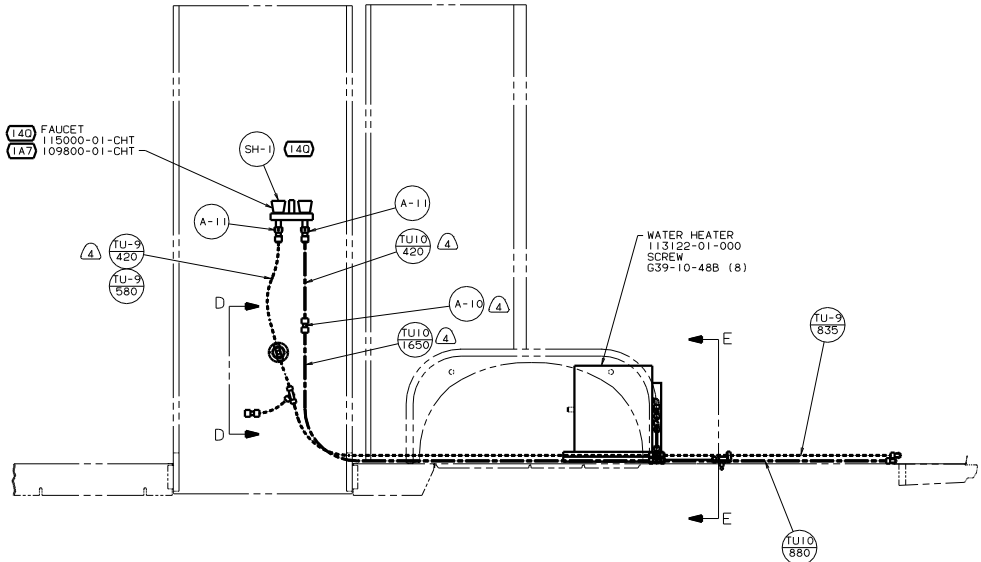
X-X	FOR DRAINAGE CALLOUTS SEE DWG NO. 116229-01-000
-----	---

- 222 RD US/CANADIAN
- Ⓔ5 CODES/STANDARDS-CSA/CMVSS
 - Ⓓ1 CODES STANDARDS/USA
 - ⒹA7 SHOWER PACKAGE-WITHOUT
 - Ⓓ40 SHOWER PACKAGE

WINNEBAGO 99 22200			
OF IN	DATE	UNSPECIFIED TOLERANCES ARE:	MATERIAL
COMP	DATE	UNLESS OTHERWISE SPECIFIED:	
PIE	DATE	ONE-PLACE (16, 21)	
DATE	DATE	ONE-PLACE (16, 21)	
DATE	DATE	ONE-PLACE (16, 21)	
DATE	DATE	ONE-PLACE (16, 21)	
DATE	DATE	ONE-PLACE (16, 21)	
DATE	DATE	ONE-PLACE (16, 21)	
DATE	DATE	ONE-PLACE (16, 21)	
DATE	DATE	ONE-PLACE (16, 21)	
DATE	DATE	ONE-PLACE (16, 21)	
DATE	DATE	ONE-PLACE (16, 21)	



VIEW D-D

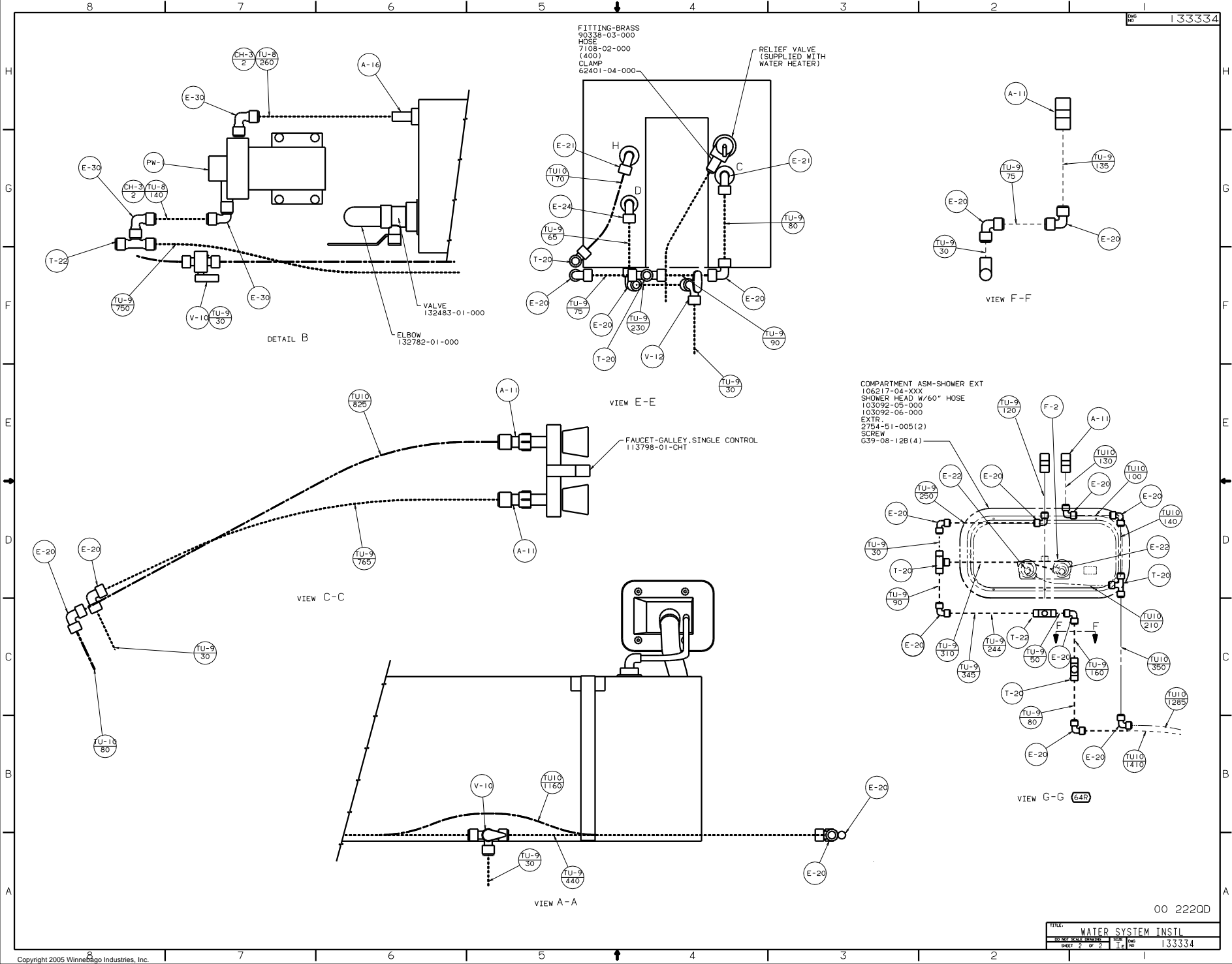


- NOTES:
1. PLASTIC FITTINGS TO BE SEALED WITH SEALANT 84456-01-000.
 2. TUBING TO BE INSTALLED WITH SUFFICIENT SLOPE TO PROVIDE DRAINAGE TO NEAREST VALVE.
 3. ALL TUBING TO BE SECURED AT 1200 INTERVALS MAXIMUM WITH CLAMP 10495-01-000 OR CLIP 91951-01-000 AND SCREW G67-10-12B.
- △ NOT REQUIRED WITH EXTERIOR SHOWER.

- 64R EXTERIOR WASH STATION
- 1A7 SHOWER PACKAGE-WITHOUT
- 140 SHOWER PACKAGE

X-X	FOR WATER CALLOUTS SEE DWG NO. 116230-01-000	LEGEND	
		HOT	-----
		COLD	*****

WINNEBAGO		00 22200
DATE	UNDESIGNED TOLERANCES ARE:	MATERIAL
DATE	WHOLE DIM (IN)	F
DATE	ONE-PLACE (IN.XI)	.
DATE	TWO-PLACE (IN.XX)	..
DATE	THREE-PLACE (IN.XXX)	...
DATE	ANGLE	
DATE	INDUS. WELD	
DATE	PROTECTION	
LAYOUT NO. 22200	TITLE WATER SYSTEM INSTL	
DWG #	SCALE	NOTE
1	1:1	NO NET SCALE REQUIRED
SHEET 1 OF 2	REV B	133334



FITTING-BRASS
90338-03-000
HOSE
7108-02-000
(400)
CLAMP
62401-04-000

RELIEF VALVE
(SUPPLIED WITH
WATER HEATER)

VALVE
132483-01-000
ELBOW
132782-01-000

DETAIL B

VIEW E-E

FAUCET-GALLEY, SINGLE CONTROL
113798-01-CHT

VIEW C-C

VIEW A-A

COMPARTMENT ASM-SHOWER EXT
106217-04-XXX
SHOWER HEAD W/60" HOSE
103092-05-000
103092-06-000
EXTR.
2754-51-005(2)
SCREW
639-08-12B(4)

VIEW G-G (64R)