

- NOTES:
1. SLOPE OF HORIZONTAL PIPING TO BE 6 PER 305 MIN.
  2. SLOPE OF TRAP ARM MUST BE 6 PER 305.
  3. ALL PIPE AND FITTINGS TO BE ASSEMBLED WITH SOLVENT 4020-01-000.
  4. ALL EXTERIOR OPENINGS AROUND PIPE TO BE SEALED WITH 69637-01-000.
  5. EXPOSED PIPE ABOVE ROOF TO BE PAINTED 37163-01-000.
  6. FOR CAN UNITS EACH HOLDING TANK SHALL HAVE A CSA APPROVAL STAMPED NEAR THE IAMPO APPROVAL.

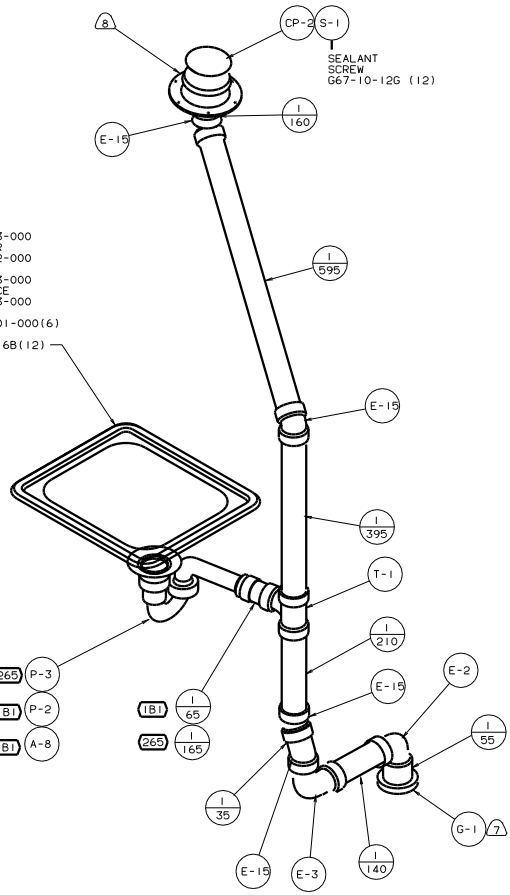
7. SEE DWG 61607-01-000 FOR INSTALLATION OF GROMMET.
8. VENT PIPE MUST PROJECT 51 MIN AND 63.5 MAX ABOVE ROOF FOR PROPER FIT AND FUNCTION.
9. SECURE PIPES TO CABINET USING WIRE TIE 108046-02-000 AND SCREW 667-10-12U (8).
10. PLACE GASKET BETWEEN FLOOR AND BOTTOM OF TANK.

- (265) CODES/STANDARDS-CSA/CMVSS
- (IB1) CODES STANDARDS/USA
- (IA7) SHOWER PACKAGE-WITHOUT
- (140) SHOWER PACKAGE

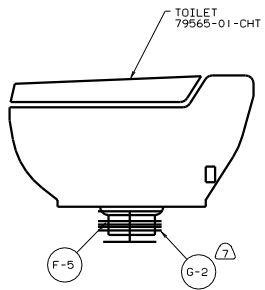
FOR DRAINAGE  
 CALLOUTS  
 SEE DWG NO.  
 116229-01-000

<b>WINNEBAGO</b>		00 222HD
OF IT	DATE	UNSPECIFIED TOLERANCES ARE:
CHP	DATE	WHOLE DIM (1:1) . . . ± .0
PIE	DATE	ONE-PLACE (1:1) . . . ± .0
PLC	DATE	TWO-PLACE (1:1) . . . ± .01
COLR	DATE	TWO-PLACE (1:1) . . . ± .01
	DATE	THIRD-PLACE (1:1) . . . ± .005
	DATE	FOURTH-PLACE (1:1) . . . ± .0025
	DATE	FIFTH-PLACE (1:1) . . . ± .00125
	DATE	SIXTH-PLACE (1:1) . . . ± .000625
	DATE	SEVENTH-PLACE (1:1) . . . ± .0003125
	DATE	EIGHTH-PLACE (1:1) . . . ± .00015625
	DATE	NINTH-PLACE (1:1) . . . ± .000078125
	DATE	TENTH-PLACE (1:1) . . . ± .0000390625
	DATE	ELEVENTH-PLACE (1:1) . . . ± .00001953125
	DATE	TWELFTH-PLACE (1:1) . . . ± .000009765625
	DATE	THIRTEENTH-PLACE (1:1) . . . ± .0000048828125
	DATE	FOURTEENTH-PLACE (1:1) . . . ± .00000244140625
	DATE	FIFTEENTH-PLACE (1:1) . . . ± .000001220703125
	DATE	SIXTEENTH-PLACE (1:1) . . . ± .0000006103515625
	DATE	SEVENTEENTH-PLACE (1:1) . . . ± .00000030517578125
	DATE	EIGHTEENTH-PLACE (1:1) . . . ± .000000152587890625
	DATE	NINETEENTH-PLACE (1:1) . . . ± .0000000762939453125
	DATE	TWENTIETH-PLACE (1:1) . . . ± .00000003814697265625
	DATE	UNSPECIFIED DIMENSIONS ARE:
	DATE	WHOLE DIM (1:1) . . . ± .0
	DATE	ONE-PLACE (1:1) . . . ± .0
	DATE	TWO-PLACE (1:1) . . . ± .01
	DATE	THREE-PLACE (1:1) . . . ± .005
	DATE	FOUR-PLACE (1:1) . . . ± .0025
	DATE	FIVE-PLACE (1:1) . . . ± .00125
	DATE	SIX-PLACE (1:1) . . . ± .000625
	DATE	SEVEN-PLACE (1:1) . . . ± .0003125
	DATE	EIGHT-PLACE (1:1) . . . ± .00015625
	DATE	NINE-PLACE (1:1) . . . ± .000078125
	DATE	TEN-PLACE (1:1) . . . ± .0000390625
	DATE	ELEVEN-PLACE (1:1) . . . ± .00001953125
	DATE	TWELVE-PLACE (1:1) . . . ± .000009765625
	DATE	THIRTEEN-PLACE (1:1) . . . ± .0000048828125
	DATE	FOURTEEN-PLACE (1:1) . . . ± .00000244140625
	DATE	FIFTEEN-PLACE (1:1) . . . ± .000001220703125
	DATE	SIXTEEN-PLACE (1:1) . . . ± .0000006103515625
	DATE	SEVENTEEN-PLACE (1:1) . . . ± .00000030517578125
	DATE	EIGHTEEN-PLACE (1:1) . . . ± .000000152587890625
	DATE	NINETEEN-PLACE (1:1) . . . ± .0000000762939453125
	DATE	TWENTY-PLACE (1:1) . . . ± .00000003814697265625
	DATE	UNSPECIFIED DIMENSIONS ARE:
	DATE	WHOLE DIM (1:1) . . . ± .0
	DATE	ONE-PLACE (1:1) . . . ± .0
	DATE	TWO-PLACE (1:1) . . . ± .01
	DATE	THREE-PLACE (1:1) . . . ± .005
	DATE	FOUR-PLACE (1:1) . . . ± .0025
	DATE	FIVE-PLACE (1:1) . . . ± .00125
	DATE	SIX-PLACE (1:1) . . . ± .000625
	DATE	SEVEN-PLACE (1:1) . . . ± .0003125
	DATE	EIGHT-PLACE (1:1) . . . ± .00015625
	DATE	NINE-PLACE (1:1) . . . ± .000078125
	DATE	TEN-PLACE (1:1) . . . ± .0000390625
	DATE	ELEVEN-PLACE (1:1) . . . ± .00001953125
	DATE	TWELVE-PLACE (1:1) . . . ± .000009765625
	DATE	THIRTEEN-PLACE (1:1) . . . ± .0000048828125
	DATE	FOURTEEN-PLACE (1:1) . . . ± .00000244140625
	DATE	FIFTEEN-PLACE (1:1) . . . ± .000001220703125
	DATE	SIXTEEN-PLACE (1:1) . . . ± .0000006103515625
	DATE	SEVENTEEN-PLACE (1:1) . . . ± .00000030517578125
	DATE	EIGHTEEN-PLACE (1:1) . . . ± .000000152587890625
	DATE	NINETEEN-PLACE (1:1) . . . ± .0000000762939453125
	DATE	TWENTY-PLACE (1:1) . . . ± .00000003814697265625
	DATE	UNSPECIFIED DIMENSIONS ARE:
	DATE	WHOLE DIM (1:1) . . . ± .0
	DATE	ONE-PLACE (1:1) . . . ± .0
	DATE	TWO-PLACE (1:1) . . . ± .01
	DATE	THREE-PLACE (1:1) . . . ± .005
	DATE	FOUR-PLACE (1:1) . . . ± .0025
	DATE	FIVE-PLACE (1:1) . . . ± .00125
	DATE	SIX-PLACE (1:1) . . . ± .000625
	DATE	SEVEN-PLACE (1:1) . . . ± .0003125
	DATE	EIGHT-PLACE (1:1) . . . ± .00015625
	DATE	NINE-PLACE (1:1) . . . ± .000078125
	DATE	TEN-PLACE (1:1) . . . ± .0000390625
	DATE	ELEVEN-PLACE (1:1) . . . ± .00001953125
	DATE	TWELVE-PLACE (1:1) . . . ± .000009765625
	DATE	THIRTEEN-PLACE (1:1) . . . ± .0000048828125
	DATE	FOURTEEN-PLACE (1:1) . . . ± .00000244140625
	DATE	FIFTEEN-PLACE (1:1) . . . ± .000001220703125
	DATE	SIXTEEN-PLACE (1:1) . . . ± .0000006103515625
	DATE	SEVENTEEN-PLACE (1:1) . . . ± .00000030517578125
	DATE	EIGHTEEN-PLACE (1:1) . . . ± .000000152587890625
	DATE	NINETEEN-PLACE (1:1) . . . ± .0000000762939453125
	DATE	TWENTY-PLACE (1:1) . . . ± .00000003814697265625
	DATE	UNSPECIFIED DIMENSIONS ARE:
	DATE	WHOLE DIM (1:1) . . . ± .0
	DATE	ONE-PLACE (1:1) . . . ± .0
	DATE	TWO-PLACE (1:1) . . . ± .01
	DATE	THREE-PLACE (1:1) . . . ± .005
	DATE	FOUR-PLACE (1:1) . . . ± .0025
	DATE	FIVE-PLACE (1:1) . . . ± .00125
	DATE	SIX-PLACE (1:1) . . . ± .000625
	DATE	SEVEN-PLACE (1:1) . . . ± .0003125
	DATE	EIGHT-PLACE (1:1) . . . ± .00015625
	DATE	NINE-PLACE (1:1) . . . ± .000078125
	DATE	TEN-PLACE (1:1) . . . ± .0000390625
	DATE	ELEVEN-PLACE (1:1) . . . ± .00001953125
	DATE	TWELVE-PLACE (1:1) . . . ± .000009765625
	DATE	THIRTEEN-PLACE (1:1) . . . ± .0000048828125
	DATE	FOURTEEN-PLACE (1:1) . . . ± .00000244140625
	DATE	FIFTEEN-PLACE (1:1) . . . ± .000001220703125
	DATE	SIXTEEN-PLACE (1:1) . . . ± .0000006103515625
	DATE	SEVENTEEN-PLACE (1:1) . . . ± .00000030517578125
	DATE	EIGHTEEN-PLACE (1:1) . . . ± .000000152587890625
	DATE	NINETEEN-PLACE (1:1) . . . ± .0000000762939453125
	DATE	TWENTY-PLACE (1:1) . . . ± .00000003814697265625
	DATE	UNSPECIFIED DIMENSIONS ARE:
	DATE	WHOLE DIM (1:1) . . . ± .0
	DATE	ONE-PLACE (1:1) . . . ± .0
	DATE	TWO-PLACE (1:1) . . . ± .01
	DATE	THREE-PLACE (1:1) . . . ± .005
	DATE	FOUR-PLACE (1:1) . . . ± .0025
	DATE	FIVE-PLACE (1:1) . . . ± .00125
	DATE	SIX-PLACE (1:1) . . . ± .000625
	DATE	SEVEN-PLACE (1:1) . . . ± .0003125
	DATE	EIGHT-PLACE (1:1) . . . ± .00015625
	DATE	NINE-PLACE (1:1) . . . ± .000078125
	DATE	TEN-PLACE (1:1) . . . ± .0000390625
	DATE	ELEVEN-PLACE (1:1) . . . ± .00001953125
	DATE	TWELVE-PLACE (1:1) . . . ± .000009765625
	DATE	THIRTEEN-PLACE (1:1) . . . ± .0000048828125
	DATE	FOURTEEN-PLACE (1:1) . . . ± .00000244140625
	DATE	FIFTEEN-PLACE (1:1) . . . ± .000001220703125
	DATE	SIXTEEN-PLACE (1:1) . . . ± .0000006103515625
	DATE	SEVENTEEN-PLACE (1:1) . . . ± .00000030517578125
	DATE	EIGHTEEN-PLACE (1:1) . . . ± .000000152587890625
	DATE	NINETEEN-PLACE (1:1) . . . ± .0000000762939453125
	DATE	TWENTY-PLACE (1:1) . . . ± .00000003814697265625
	DATE	UNSPECIFIED DIMENSIONS ARE:
	DATE	WHOLE DIM (1:1) . . . ± .0
	DATE	ONE-PLACE (1:1) . . . ± .0
	DATE	TWO-PLACE (1:1) . . . ± .01
	DATE	THREE-PLACE (1:1) . . . ± .005
	DATE	FOUR-PLACE (1:1) . . . ± .0025
	DATE	FIVE-PLACE (1:1) . . . ± .00125
	DATE	SIX-PLACE (1:1) . . . ± .000625
	DATE	SEVEN-PLACE (1:1) . . . ± .0003125
	DATE	EIGHT-PLACE (1:1) . . . ± .00015625
	DATE	NINE-PLACE (1:1) . . . ± .000078125
	DATE	TEN-PLACE (1:1) . . . ± .0000390625
	DATE	ELEVEN-PLACE (1:1) . . . ± .00001953125
	DATE	TWELVE-PLACE (1:1) . . . ± .000009765625
	DATE	THIRTEEN-PLACE (1:1) . . . ± .0000048828125
	DATE	FOURTEEN-PLACE (1:1) . . . ± .00000244140625
	DATE	FIFTEEN-PLACE (1:1) . . . ± .000001220703125
	DATE	SIXTEEN-PLACE (1:1) . . . ± .0000006103515625
	DATE	SEVENTEEN-PLACE (1:1) . . . ± .00000030517578125
	DATE	EIGHTEEN-PLACE (1:1) . . . ± .000000152587890625
	DATE	NINETEEN-PLACE (1:1) . . . ± .0000000762939453125
	DATE	TWENTY-PLACE (1:1) . . . ± .00000003814697265625

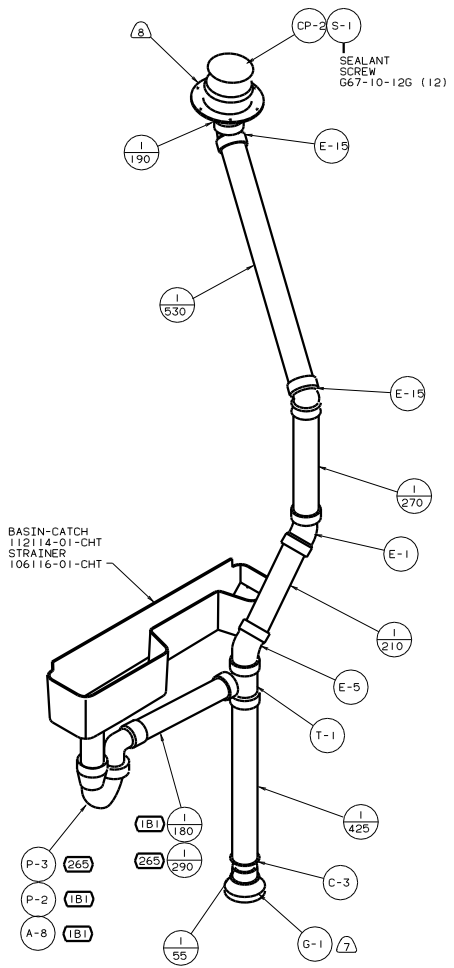
SINK  
 11029-03-000  
 STRAINER  
 66437-02-000  
 SEALER  
 69640-03-000  
 TAILPIECE  
 11069-03-000  
 ANGLE  
 107659-01-000(6)  
 SCREW  
 G67-10-16B(12)



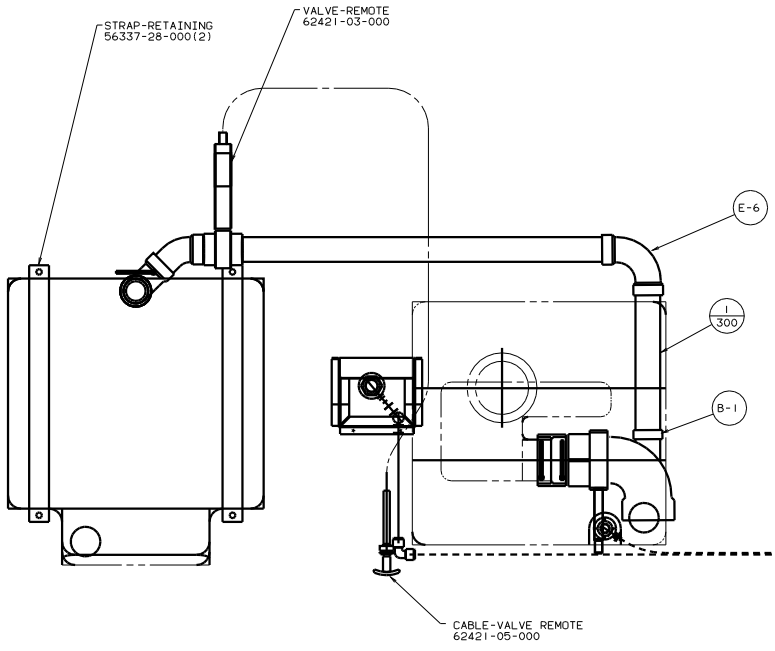
DETAIL A



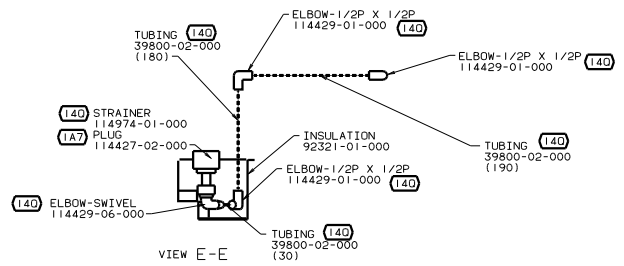
DETAIL B



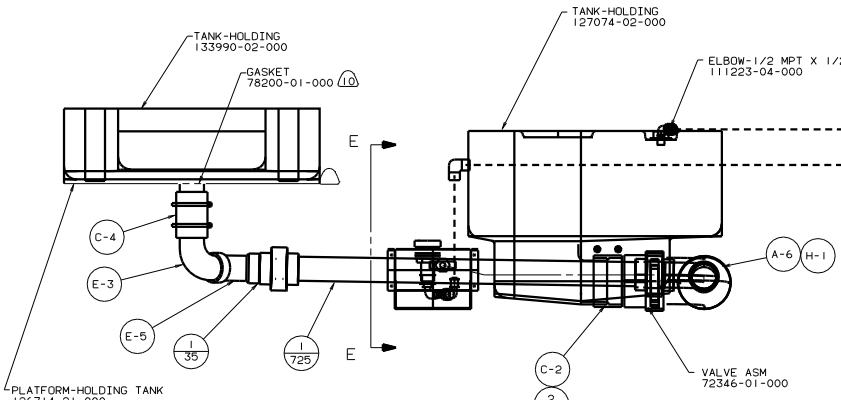
DETAIL C



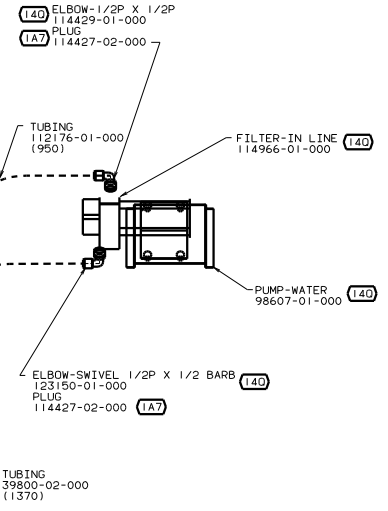
VIEW D-D

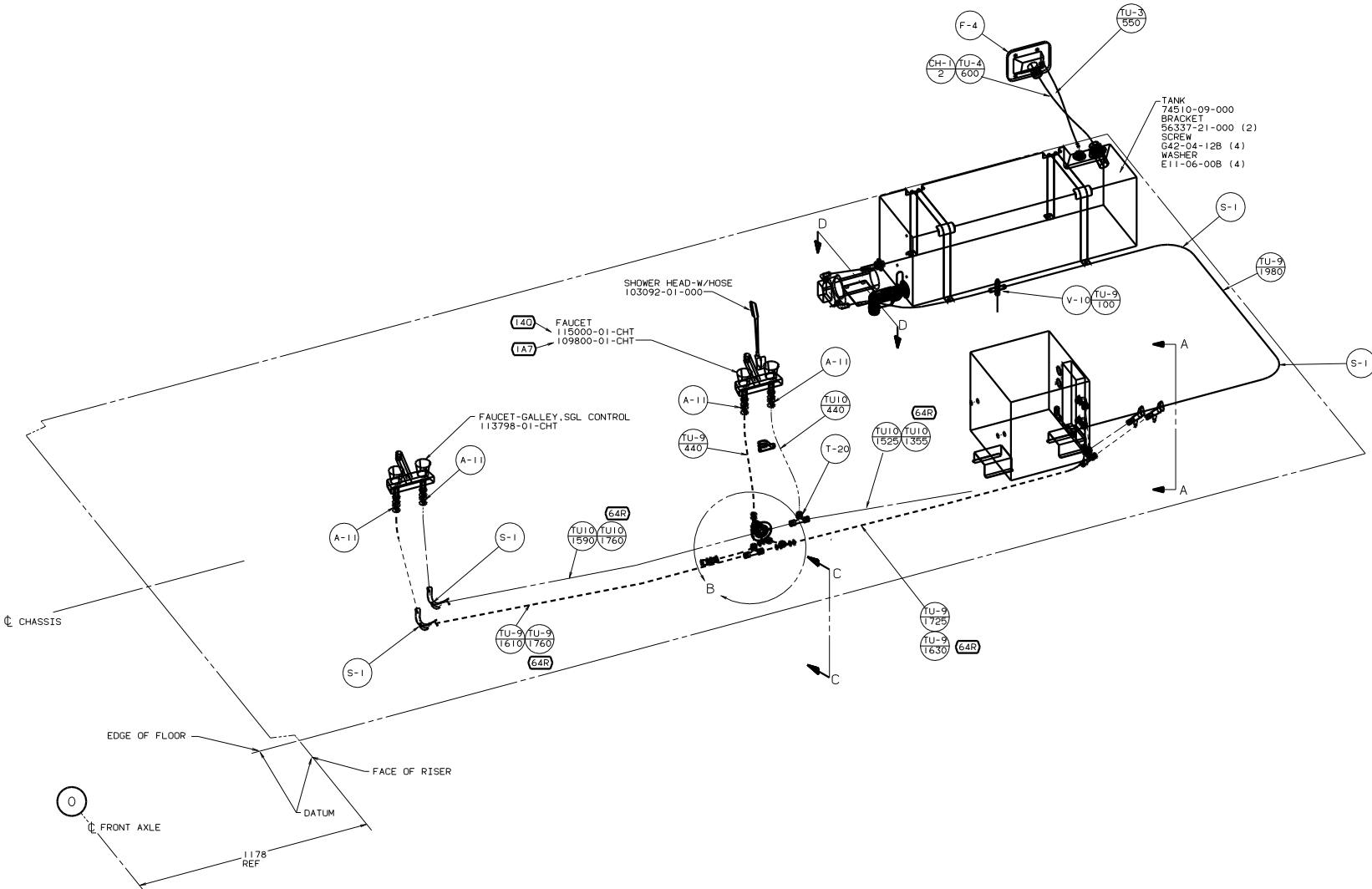


VIEW E-E



VIEW F-F





3. ALL TUBING TO BE SECURED AT 1200 INTERVALS MAXIMUM WITH CLAMP 10495-01-000 OR CLIP 91951-01-000 AND SCREW G67-10-12B.  
 2. TUBING TO BE INSTALLED WITH SUFFICIENT SLOPE TO PROVIDE DRAINAGE TO NEAREST VALVE.  
 1. PLASTIC FITTINGS TO BE SEALED WITH SEALANT 84456-01-000

(64R) EXTERIOR WASH STATION  
 (140) SHOWER PACKAGE  
 (1A7) SHOWER PACKAGE-WITHOUT

(X-X)  
 FOR WATER CALLOUTS SEE DWG NO 116230-01-000

LEGEND  
 HOT  
 COLD

**WINNEBAGO** 00 222HD

DATE	UNDESIGNED TOLERANCES ARE:	MATERIAL
DATE	WHOLE DIM IN	F
DATE	ONE-PLACE IN	F
DATE	TWO-PLACE IN	MM
DATE	THREE-PLACE IN	MM
DATE	THIRD WHEEL PRODUCTION	

LANE# 0C222HD TITLE WATER SYSTEM INSTL  
 DIA # SCALE NOTE TO THE SCALE SHOWN DIM INCH  
 ALL DIMENSIONS ARE IN MILLIMETERS SHEET 1 OF 2 1E NO 133332

