

- SINK 11029-03-000
- STRAINER 66437-02-000
- SEALER 69640-03-000
- TAILPIECE 11069-03-000
- ANGLE 107659-01-000(6)
- SCREW 667-10-16B(12)

- BASIN-CATCH 112114-01-CHT
- STRAINER ASM 106116-01-CHT

- BRACKET-TANK-HOLDING 118980-02-CHT
- SCREW 639-10-08B(4)
- BRACKET-TANK-HOLDING 118980-02-CHT
- SCREW 639-10-08B(4)

222RC/RT US/CANADIAN
 181 CODE STANDARDS-USA
 265 CODE STANDARDS-CSA

FOR DRAINAGE CALLOUTS SEE DWG NO. 116229-01-000

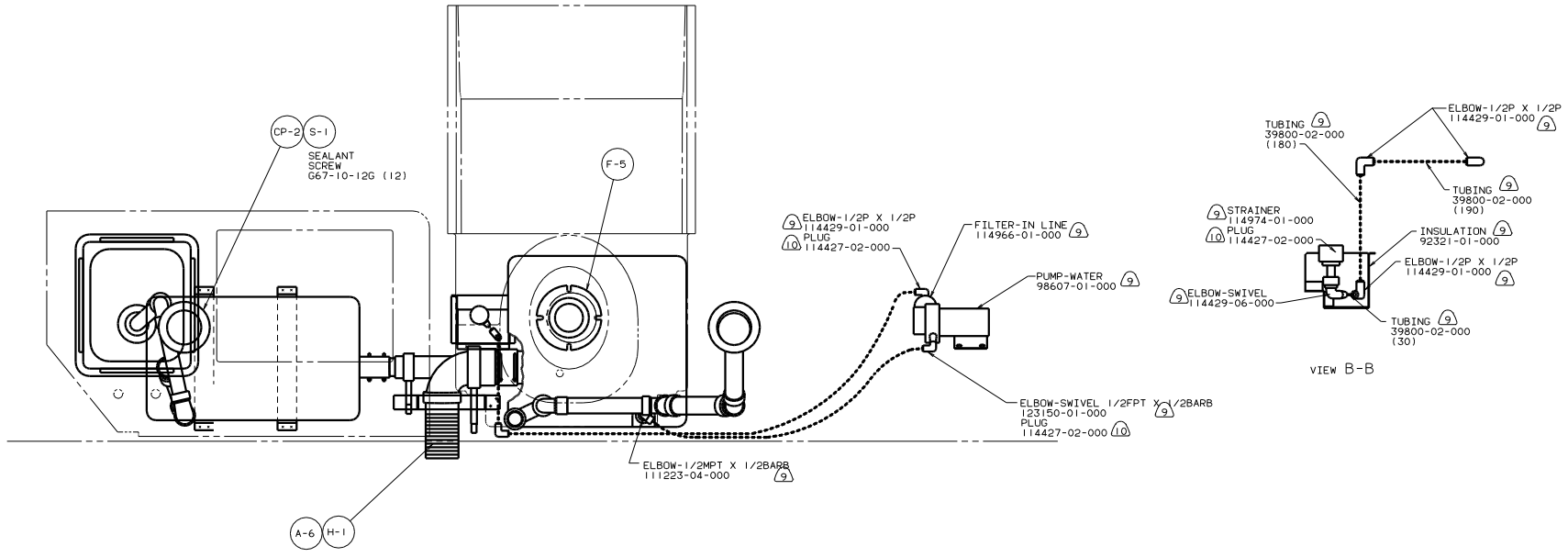
5. EXPOSED PIPE ABOVE ROOF TO BE PAINTED 37163-01-000.
 4. ALL EXTERIOR OPENINGS AROUND PIPE TO BE SEALED WITH 69637-01-000.
 3. ALL PIPE AND FITTINGS TO BE ASSEMBLED WITH SOLVENT 4020-01-000.
 2. SLOPE OF TRAP ARM MUST BE 6 PER 305.
 1. SLOPE OF HORIZONTAL PIPING TO BE 6 PER 305 MIN.
- NOTES:
10. 1A7 SHOWER PACKAGE WITHOUT.
 9. 1A0 SHOWER PACKAGE.
 8. VENT PIPE MUST PROJECT 51 MM MIN AND 63.5 MM MAX ABOVE ROOF FOR PROPER FIT AND FUNCTION.
 7. SEE DWG 61607-01-000 FOR INSTALLATION OF GROMMET.
 6. FOR CANADIAN UNITS EACH HOLDING TANK SHALL HAVE A CSA APPROVAL STAMPED NEAR THE TAMPO APPROVAL.

13. SECURE PIPES TO CABINET USING WIRE TIE 108046-02-000 AND SCREW 667-10-12U (8).
12. NOT USED ON CANADIAN UNIT.
11. USE SCRAP CLOSED CELL NEOPRENE FROM 77075-01-02 OR -03 ON BRACKETS FOR VIBRATION DAMPENING.

222IR16		TITLE: DRAINAGE SYSTEM INSTL	
DATE	DATE	UNDESIGNED TOLERANCES ARE:	MATERIAL
DATE	DATE	WHOLE DIM (1)	F
DATE	DATE	ONE-PLACE (1)	F
DATE	DATE	TWO-PLACE (1)	F
DATE	DATE	THREE-PLACE (1)	F
DATE	DATE	FOUR-PLACE (1)	F
DATE	DATE	FIVE-PLACE (1)	F
DATE	DATE	SIX-PLACE (1)	F
DATE	DATE	SEVEN-PLACE (1)	F
DATE	DATE	EIGHT-PLACE (1)	F
DATE	DATE	NINE-PLACE (1)	F
DATE	DATE	TEN-PLACE (1)	F
DATE	DATE	ELEVEN-PLACE (1)	F
DATE	DATE	TWELVE-PLACE (1)	F
DATE	DATE	THIRTEEN-PLACE (1)	F
DATE	DATE	FOURTEEN-PLACE (1)	F
DATE	DATE	FIFTEEN-PLACE (1)	F
DATE	DATE	SIXTEEN-PLACE (1)	F
DATE	DATE	SEVENTEEN-PLACE (1)	F
DATE	DATE	EIGHTEEN-PLACE (1)	F
DATE	DATE	NINETEEN-PLACE (1)	F
DATE	DATE	TWENTY-PLACE (1)	F
DATE	DATE	TWENTY-ONE PLACE (1)	F
DATE	DATE	TWENTY-TWO PLACE (1)	F
DATE	DATE	TWENTY-THREE PLACE (1)	F
DATE	DATE	TWENTY-FOUR PLACE (1)	F
DATE	DATE	TWENTY-FIVE PLACE (1)	F
DATE	DATE	TWENTY-SIX PLACE (1)	F
DATE	DATE	TWENTY-SEVEN PLACE (1)	F
DATE	DATE	TWENTY-EIGHT PLACE (1)	F
DATE	DATE	TWENTY-NINE PLACE (1)	F
DATE	DATE	THIRTY PLACE (1)	F

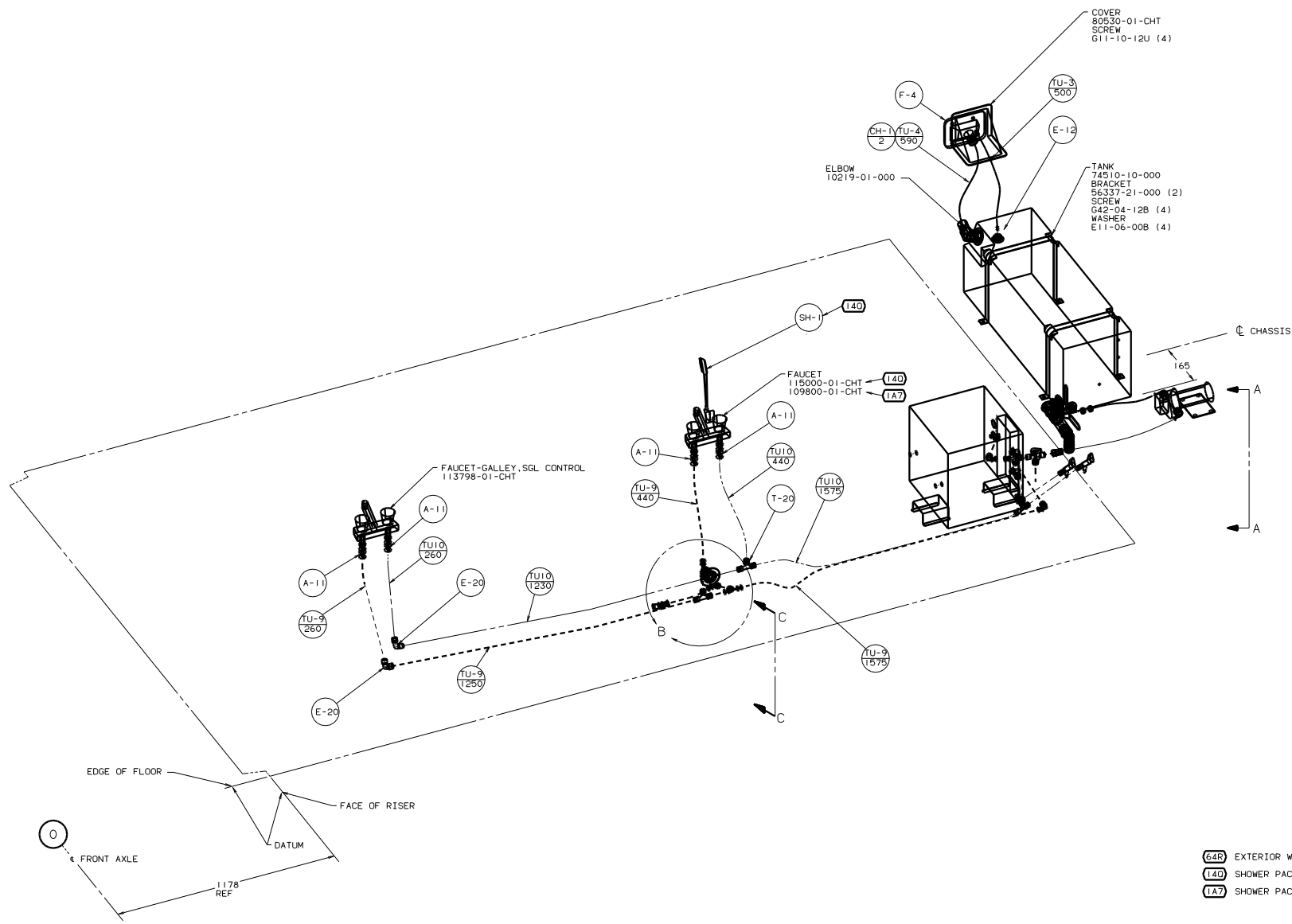
WINNEBAGO 97 222 RC/RT

REF: 119111



VIEW A-A

VIEW B-B



- 64R EXTERIOR WASH STATION
- 140 SHOWER PACKAGE
- 1A7 SHOWER PACKAGE-WITHOUT



3. ALL TUBING TO BE SECURED AT 1200 INTERVALS MAXIMUM WITH CLAMP 10495-01-000 OR CLIP 91951-01-000 AND SCREW G67-10-12B.
 2. TUBING TO BE INSTALLED WITH SUFFICIENT SLOPE TO PROVIDE DRAINAGE TO NEAREST VALVE.
 1. PLASTIC FITTINGS TO BE SEALED WITH SEALANT 84456-01-000
- NOTES:

LEGEND	
HOT	—————
COLD	*****

WINNEBAGO 00 222FD			
DRAWN BY	DATE	UNDESIGNED TOLERANCES ARE:	MATERIAL
CHKD	DATE	ONE-PLACE (X.X1)	.
D/E	DATE	TWO-PLACE (X.XX)	.
COPR	DATE	THREE-PLACE (X.XXX)	.
DATE	DATE	FINDING W/ANGLE	INDUCTION
REV	DATE	BY	CHKD
REV	DATE	BY	CHKD
LAYOUT NO. 0C222FD		TITLE: WATER SYSTEM INSTL	
REV	SCALE	NOTE	SHEET NO. 133333
REV	SCALE	NOTE	SHEET NO. 133333

