

- FRONT OF UNIT** →
- ⑬ SECURE PIPES TO CABINET USING WIRE TIE 108046-02-000 AND SCREW G67-10-12U (8)
  - ⑭ USE WITH Q40J.
  - ⑮ USE WITH Q40J.D.
  - ⑯ USED ON CANADIAN UNITS.
  - ⑰ 215 DISHWASHER WITHOUT.
  - ⑱ 21N DISHWASHER.
  - ⑲ SECURE DRAIN TUBES TO FLOOR.
  - ⑳ 54E WASHER/DRYER.
  - ㉑ NOT USED ON CANADIAN UNITS.
  - ㉒ VENT PIPE MUST PROJECT 51 MINIMUM TO 64 MAXIMUM ABOVE ROOF FOR PROPER FIT AND FUNCTION.
  - ㉓ SEE DRAWING 61607-01-000 FOR INSTALLATION OF GROMMET.
  - ㉔ SEAL ALL AROUND SHOWER PAN WITH SILICONE 78474-01-CHT.
5. FOR CANADIAN UNITS EACH HOLDING TANK SHALL HAVE A CSA APPROVAL STAMPED NEAR THE IAMPO APPROVAL.
  4. ALL EXTERIOR OPENINGS AROUND PIPE TO BE SEALED WITH 69637-01-000.
  3. ALL PIPE AND FITTINGS TO BE ASSEMBLED WITH SOLVENT 4020-01-000.
  2. SLOPE OF TRAP MUST BE 6 PER 300 MINIMUM.
  1. SLOPE OF HORIZONTAL PIPING TO BE 6 PER 300 MINIMUM.

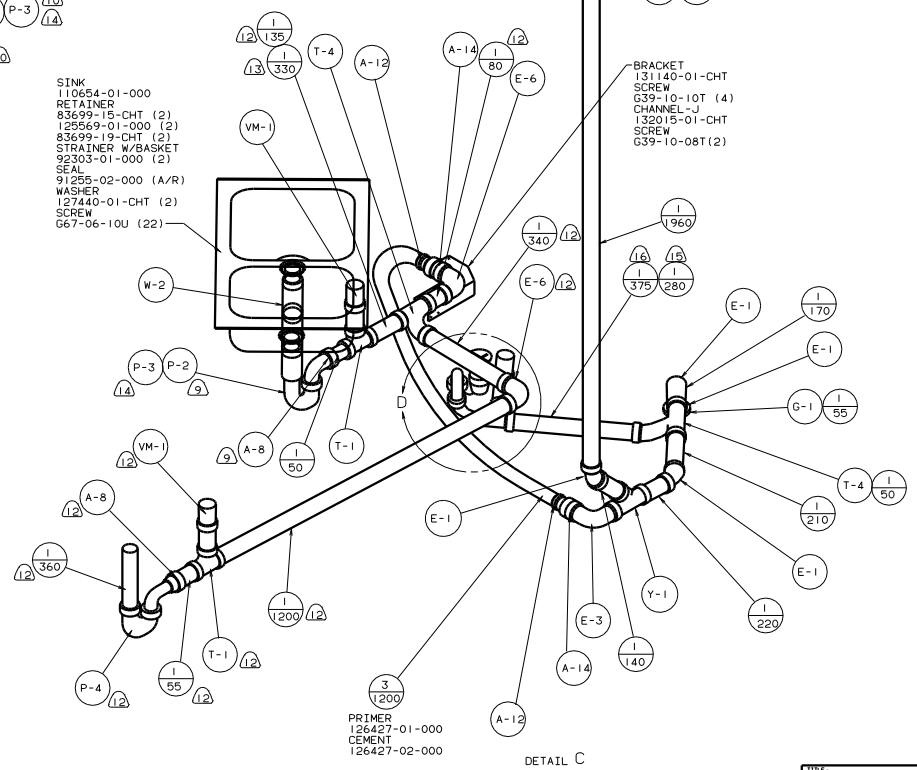
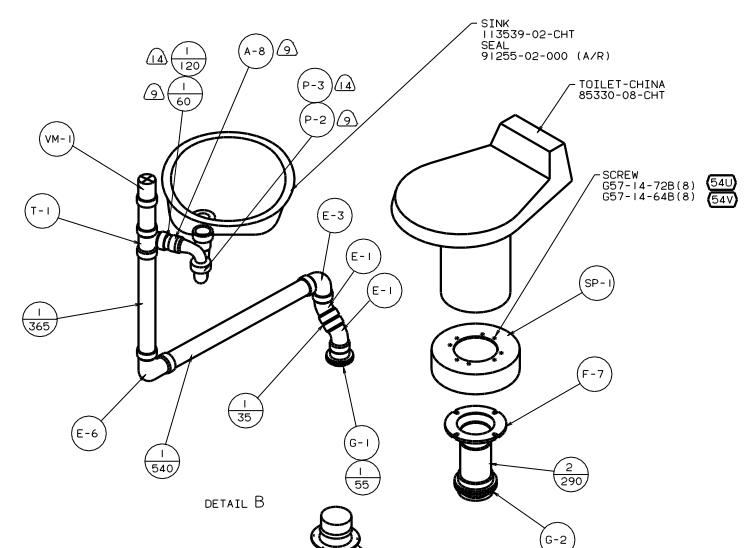
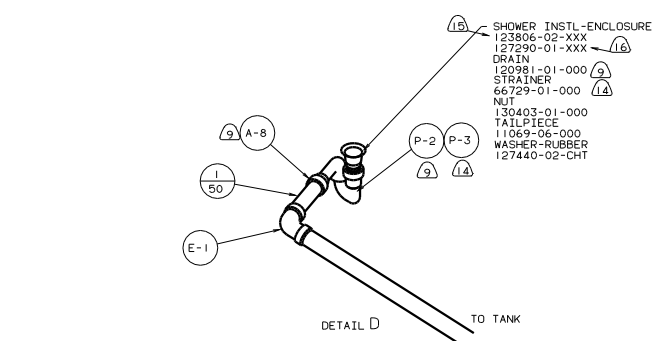
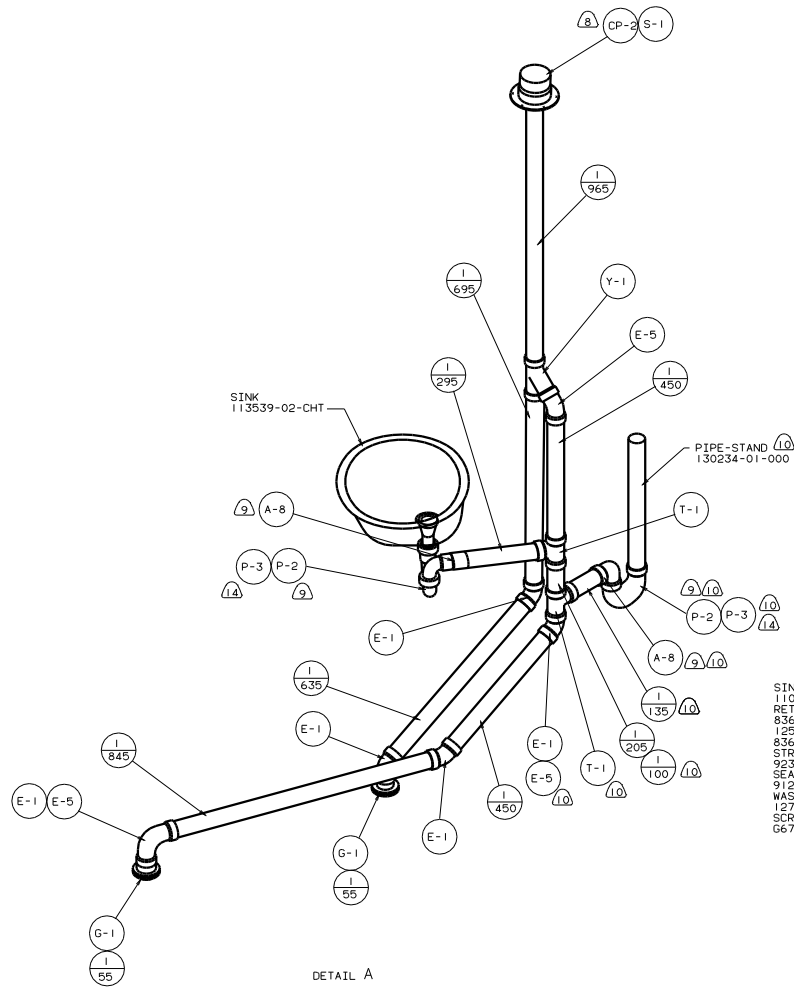
SUPPORT ASM-HOLDING TANK  
 131297-01-CHT  
 SCREW  
 G39-08-08B (4)

- ⑤4V FLOOR COVERING/BATH-VINYL
- ⑤4U FLOOR/BATH-CERAMIC TILE

FOR DRAINAGE CALLOUTS SEE DWG NO. 116229-01-000

<b>WINNEBAGO</b>		99 Q40JD
QTY	DATE	UNSPECIFIED TOLERANCES ARE:
CHG	DATE	WHOLE DIM 1/16 ± .005
P/E	DATE	ONE-PLACE 1/32 ± .005
P/E	DATE	TWO-PLACE 1/64 ± .005
P/E	DATE	ANGLE
P/E	DATE	THRU HOLE
P/E	DATE	PROJECTION
DRAWN	DATE	SCALE
REV #	SCALE	NOTE
ALL DIMENSIONS ARE IN MILLIMETERS	SHEET	1 OF 3

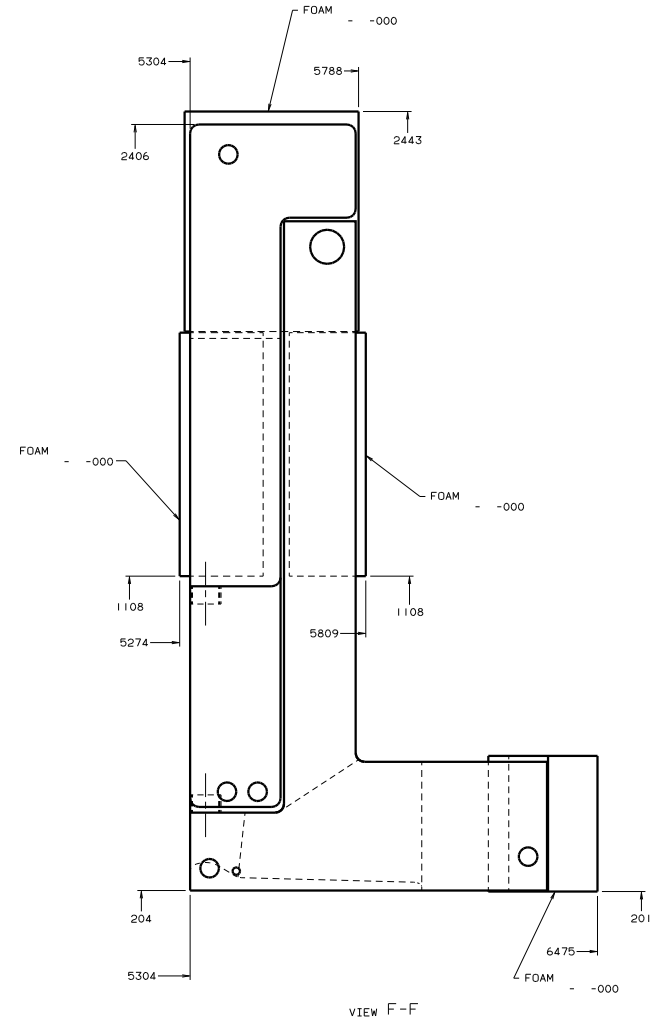
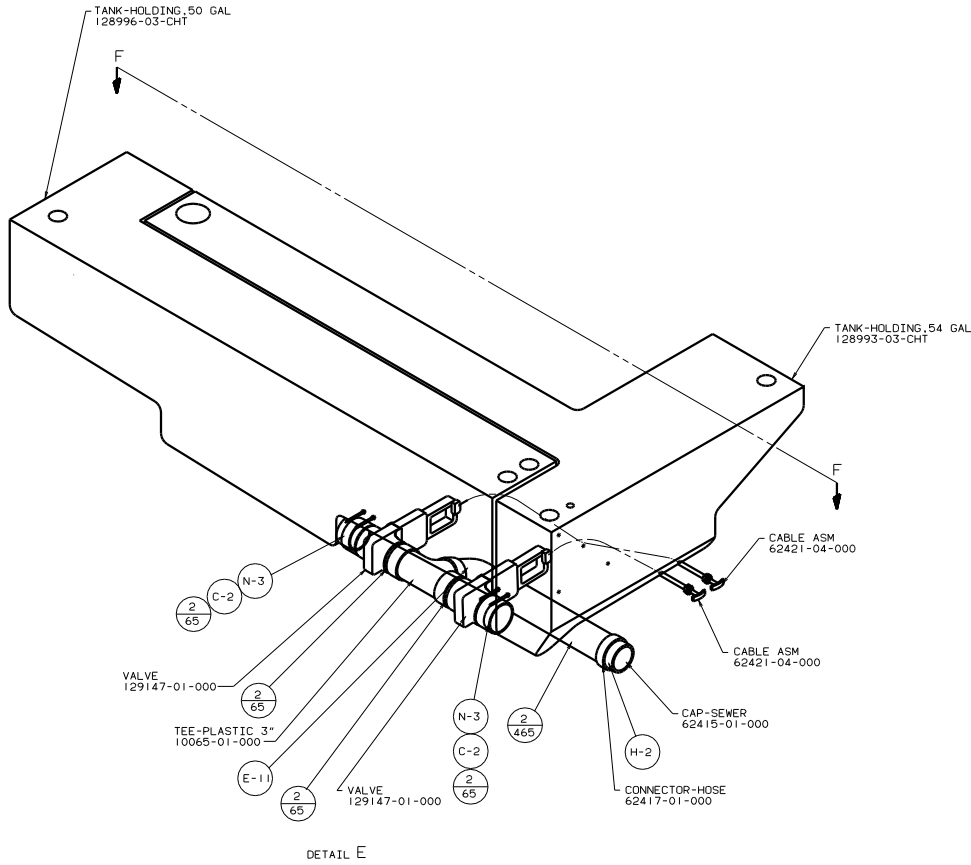
**DRAINAGE SYSTEM INSTL**  
 129970



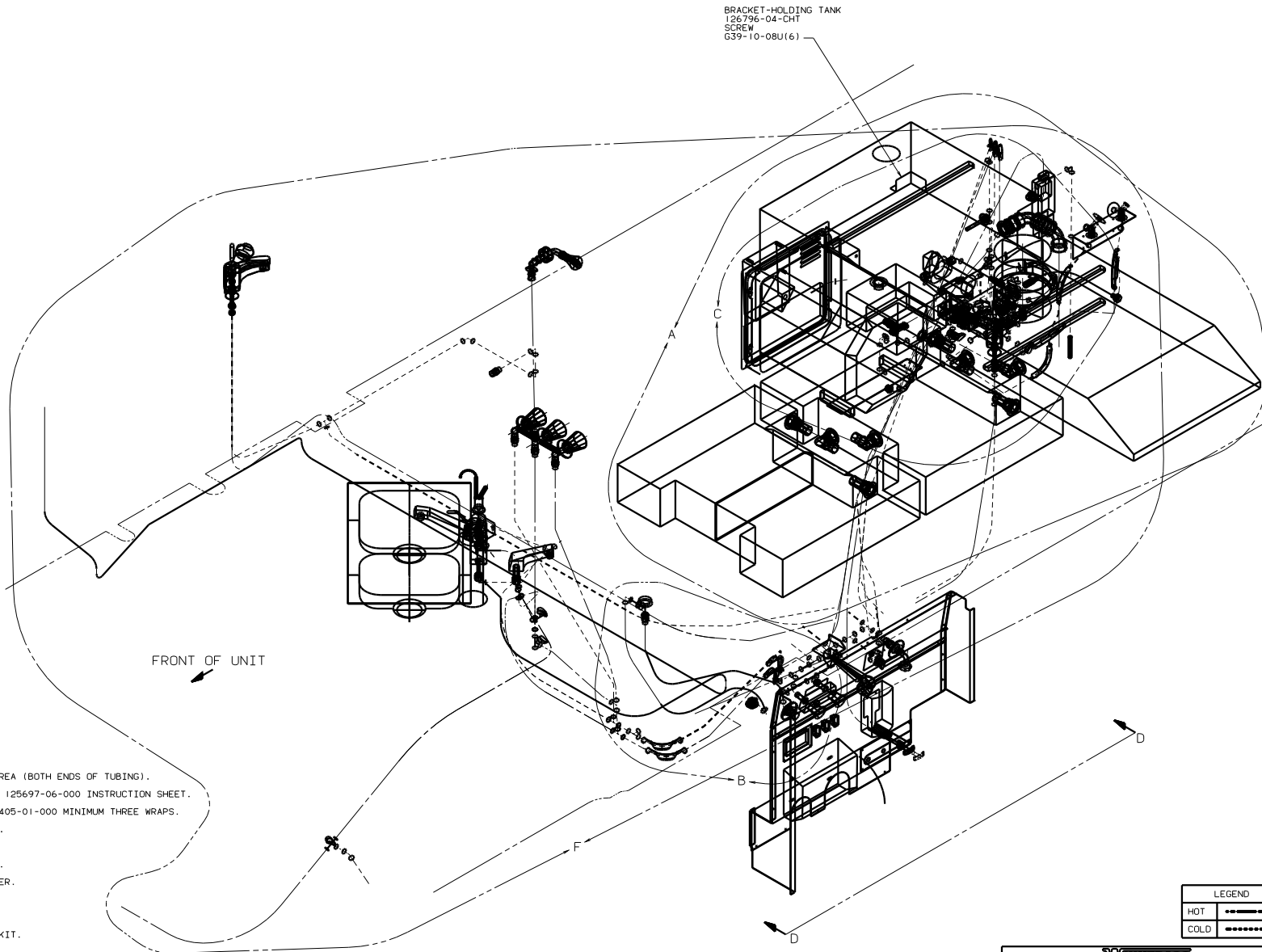
- SINK 110654-01-000
- RETAINER 83699-15-CHT (2)
- 129569-01-000 (2)
- 83699-19-CHT (2)
- STRAINER W/BASKET 92303-01-000 (2)
- SEAL 91255-02-000 (A/R)
- WASHER 127440-01-CHT (2)
- SCREW G67-06-10U (22)

- BRACKET 131140-01-CHT
- CHANNEL-G39-10-10T (4)
- CHANNEL-J 132015-01-CHT
- SCREW G39-10-08T (2)

- PRIMER 126427-01-000
- CEMENT 126427-02-000



DWG NO	MODEL	SHEET
129971-01	99 040JD	1,2,3,4,5,6
129971-02	00 040J	1,2,3,4,5,7
129971-03	00 040JD	1,2,3,4,5,7



- ⑥ INSTALL ON LINE.
  - ⑤ INSTALL WITH TANK.
  - ④ USE DETAIL "G" IN THIS AREA (BOTH ENDS OF TUBING).
  - ③ FLUSHING SYSTEM REQUIRES 125697-06-000 INSTRUCTION SHEET.
  - ② WRAP WITH TEFLON TAPE 10405-01-000 MINIMUM THREE WRAPS.
  - ① 215 DISHWASHER WITHOUT.
  - ⑩ 530 WINTERIZING KIT.
  - ⑨ 21T WASHER/DRYER WITHOUT.
  - ⑧ LOCATE BEHIND WASHER/DRYER.
  - ⑦ 54E WASHER/DRYER.
  - ⑥ 21N DISHWASHER.
  - ⑤ USE WITHOUT WINTERIZING KIT.
  - ④ 53J WINTERIZING KIT.
- ALL TUBING TO BE SECURED AT 1200 INTERVALS MAXIMUM WITH CLAMP 10495-01-000 OR CLIP 91951-01-000 AND SCREW G67-10-12B.
  - TUBING TO BE INSTALLED WITH SUFFICIENT SLOPE TO PROVIDE DRAINAGE TO NEAREST VALVE.
  - PLASTIC FITTINGS TO BE SEALED WITH SEALANT 84456-01-000.

(X-X) FOR WATER CALLOUTS SEE DWG NO. 116230-01-000

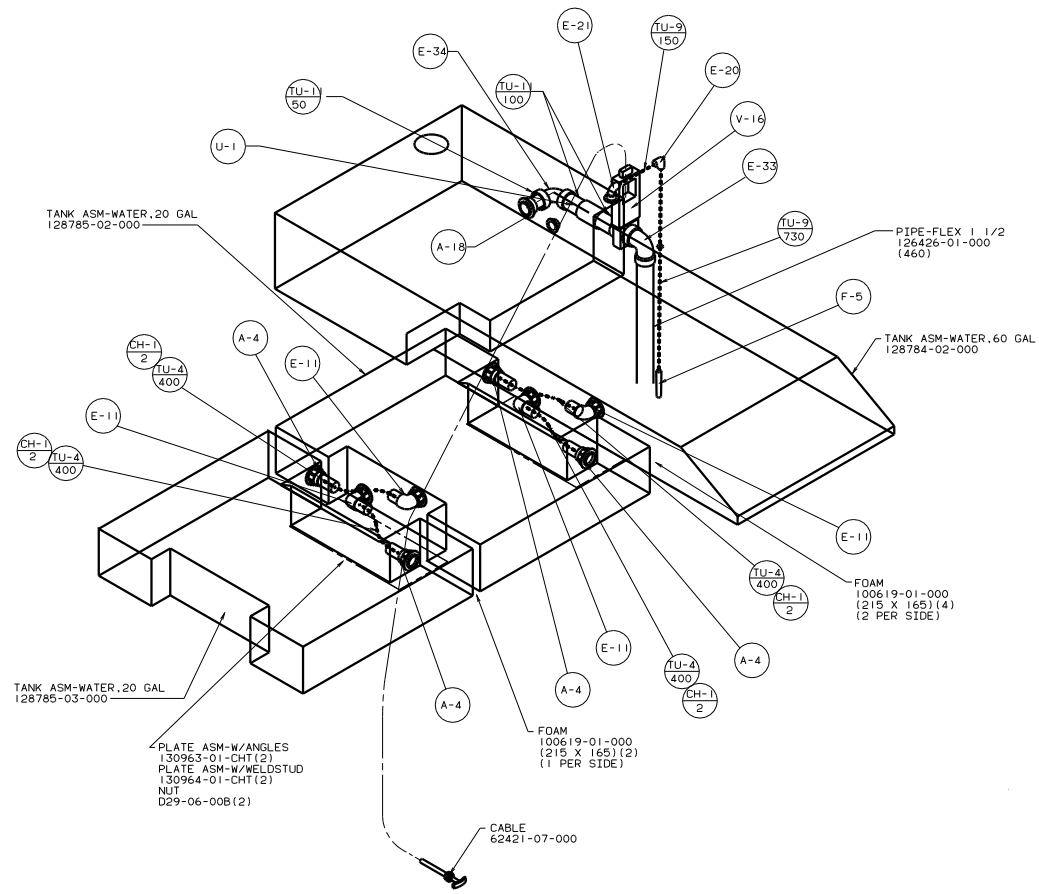
**LEGEND**

HOT .....  
 COLD - - - - -

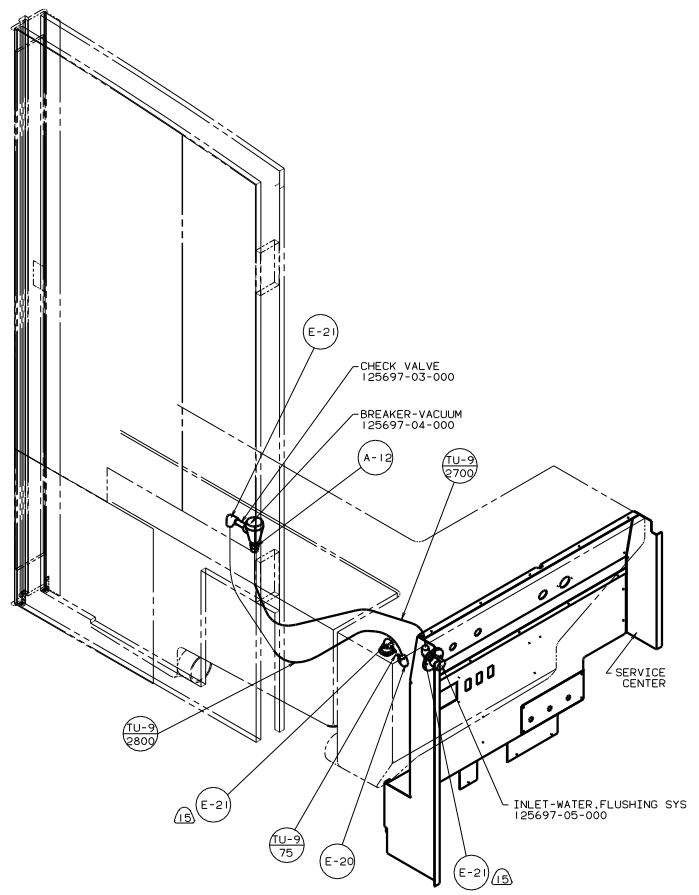
**WINNEBAGO** 99 040J/JD

QTY	DATE	UNDESIGNED TOLERANCES ARE:	MATERIAL
CHD	DATE	WHOLE DIM (X) ± .5	
FIN	DATE	ONE-PLACE (X, X) .1	
P/E	DATE	TWO-PLACE (X, X) .01	
DATE	DATE	THIRD PLACE (X) .001	
DATE	DATE	THIRD PLACE PRODUCTION	

DRAWN BY 040JD TITLE: WATER SYSTEM INSTL  
 CHECKED BY DATE  
 ALL DIMENSIONS ARE IN MILLIMETERS SHEET 1 OF 7 REF: 129591 129971



DETAIL A



DETAIL B  
FLUSHING SYSTEM

99 Q40J/JD

TITLE		WATER SYSTEM INSTL	
NO	SCALE	REV	DATE
2		1	
SHEET 2 OF 7		129971	

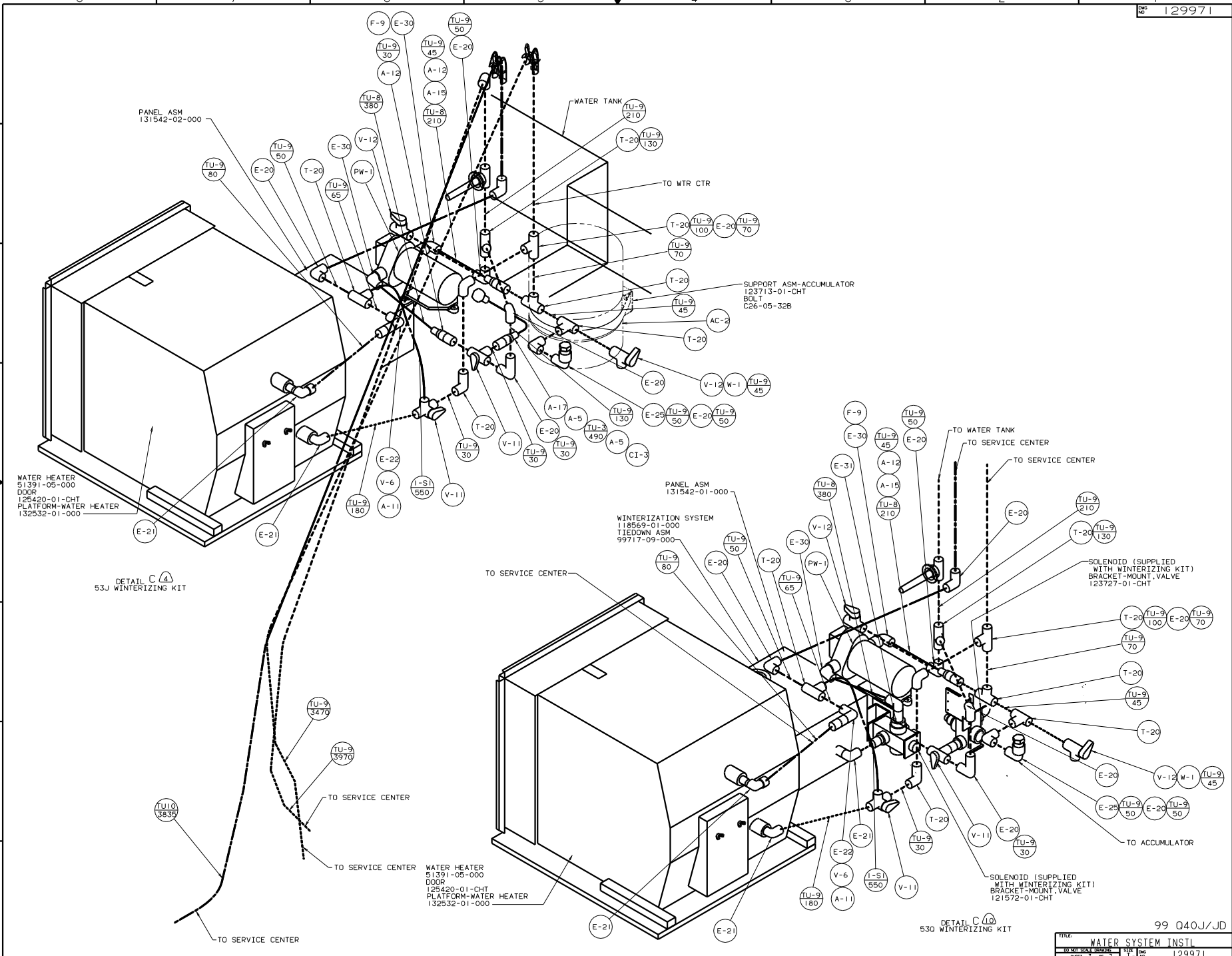
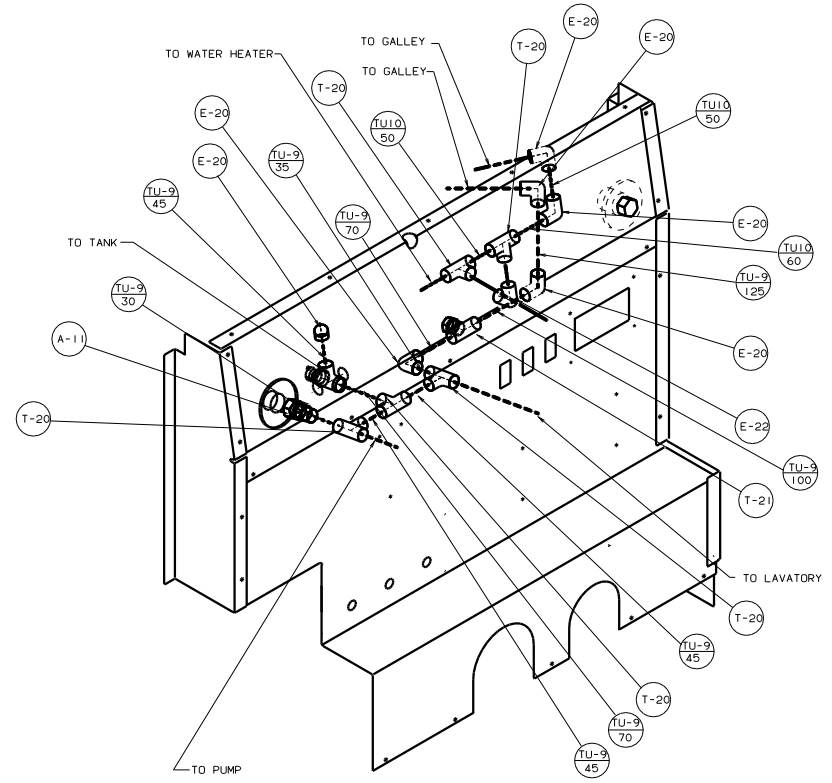
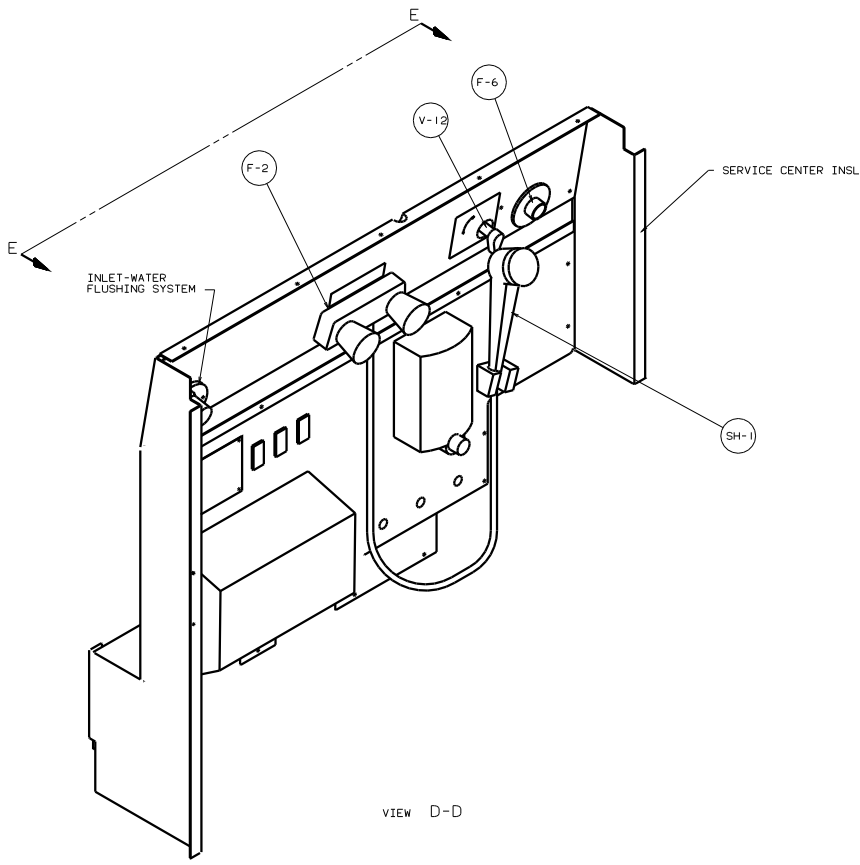
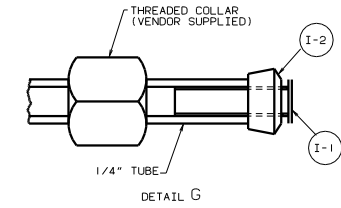
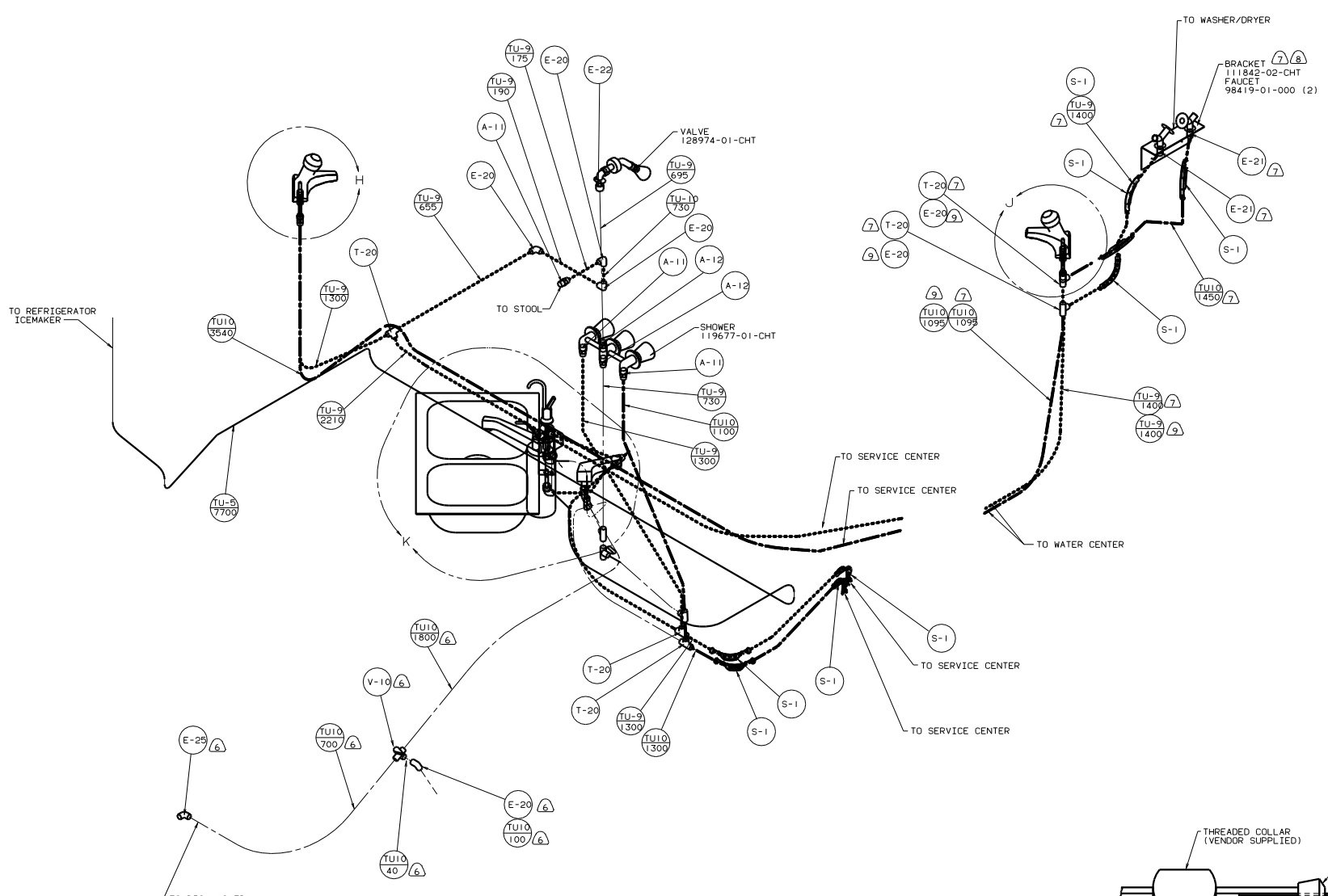


FIGURE	99 Q40J/JD
TITLE	WATER SYSTEM INSTL
NO. OF SHEETS	3 OF 7
REV.	1.1
DWG NO.	129971



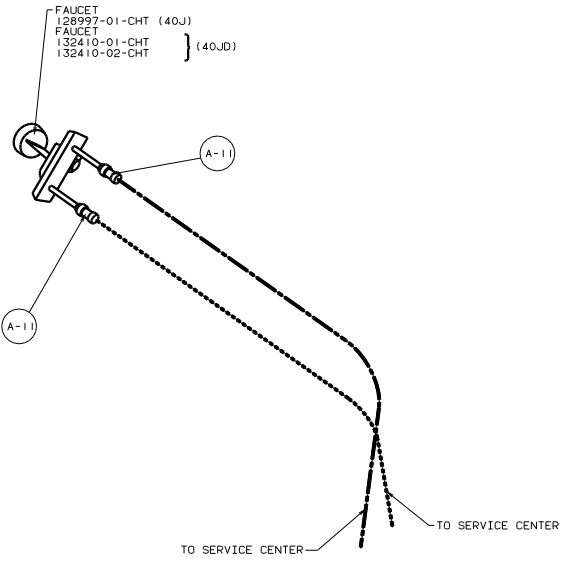
99 Q40J/JD	
TITLE	WATER SYSTEM INSL
NO. THIS SHEET CONTAINS	16
SHEET NO.	4 OF 7
FIG. NO.	1.6
REV. NO.	129971



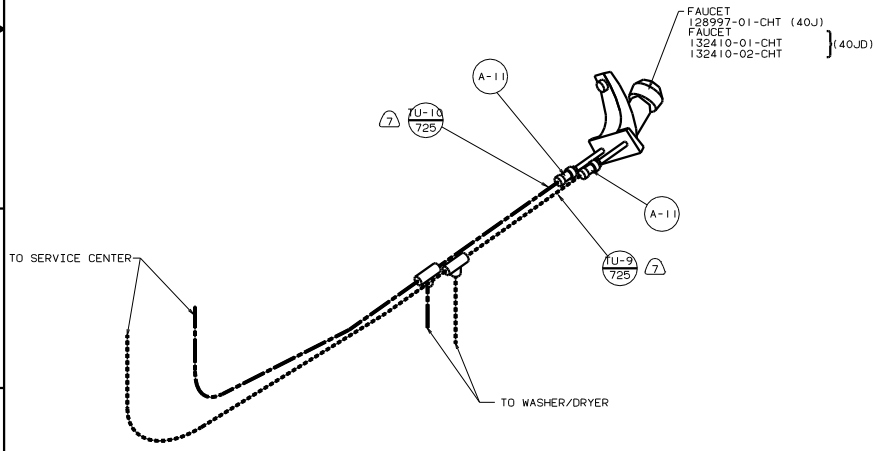
99 Q40J/JD

TITLE	
WATER SYSTEM INSTL	
NO. OF SHEETS	TOTAL SHEETS
5 OF 7	7
SHEET NO.	5

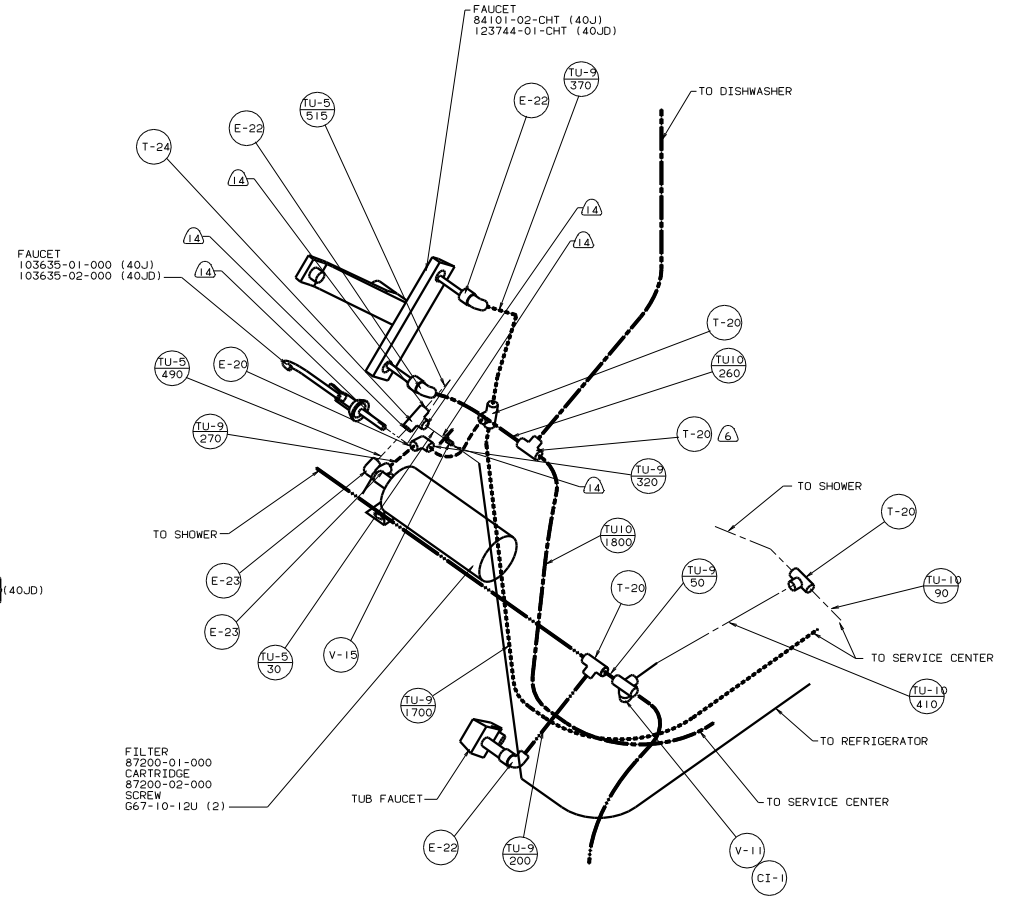




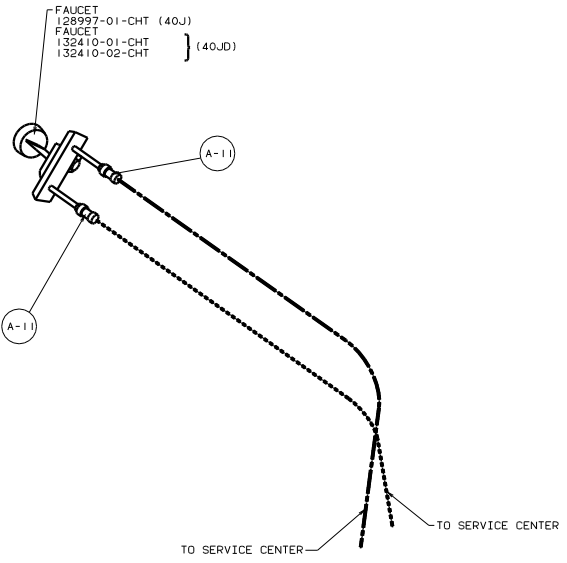
DETAIL H



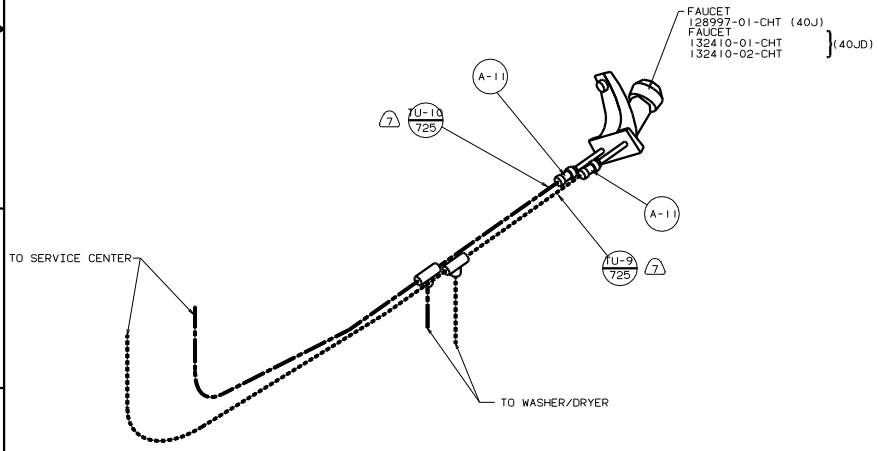
DETAIL J



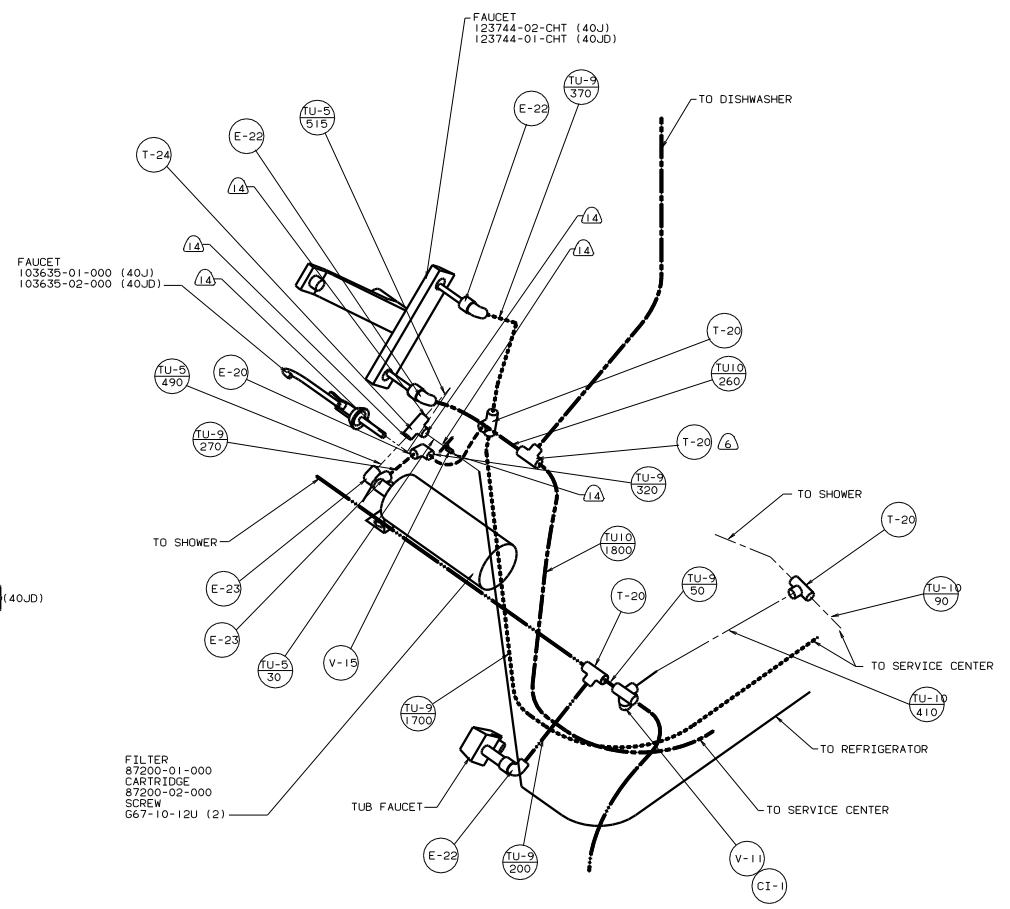
DETAIL K



DETAIL H



DETAIL J



DETAIL K