

- ⑬ SECURE PIPES TO CABINET USING WIRE TIE 108046-02-000 AND SCREW G67-10-12U (8)
- ⑭ USE WITH Q40J.
- ⑮ USE WITH Q40J.D.
- ⑯ USED ON CANADIAN UNITS.
- ⑰ 215 DISHWASHER WITHOUT.
- ⑱ 21N DISHWASHER.
- ⑲ SECURE DRAIN TUBES TO FLOOR.
- ⑳ 54E WASHER/DRYER.
- ㉑ NOT USED ON CANADIAN UNITS.
- ㉒ VENT PIPE MUST PROJECT 51 MINIMUM TO 64 MAXIMUM ABOVE ROOF FOR PROPER FIT AND FUNCTION.
- ㉓ SEE DRAWING 61607-01-000 FOR INSTALLATION OF GROMMET.
- ㉔ SEAL ALL AROUND SHOWER PAN WITH SILICONE 78474-01-CHT.

- 5. FOR CANADIAN UNITS EACH HOLDING TANK SHALL HAVE A CSA APPROVAL STAMPED NEAR THE IAMPO APPROVAL.
- 4. ALL EXTERIOR OPENINGS AROUND PIPE TO BE SEALED WITH 69637-01-000.
- 3. ALL PIPE AND FITTINGS TO BE ASSEMBLED WITH SOLVENT 4020-01-000.
- 2. SLOPE OF TRAP MUST BE 6 PER 300 MINIMUM.
- 1. SLOPE OF HORIZONTAL PIPING TO BE 6 PER 300 MINIMUM.

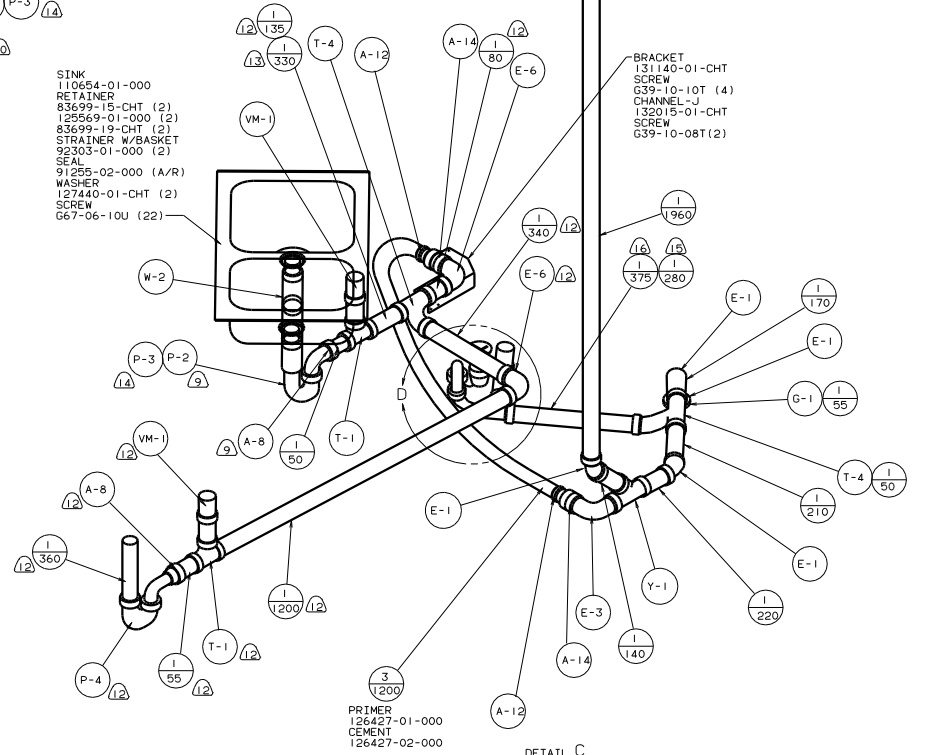
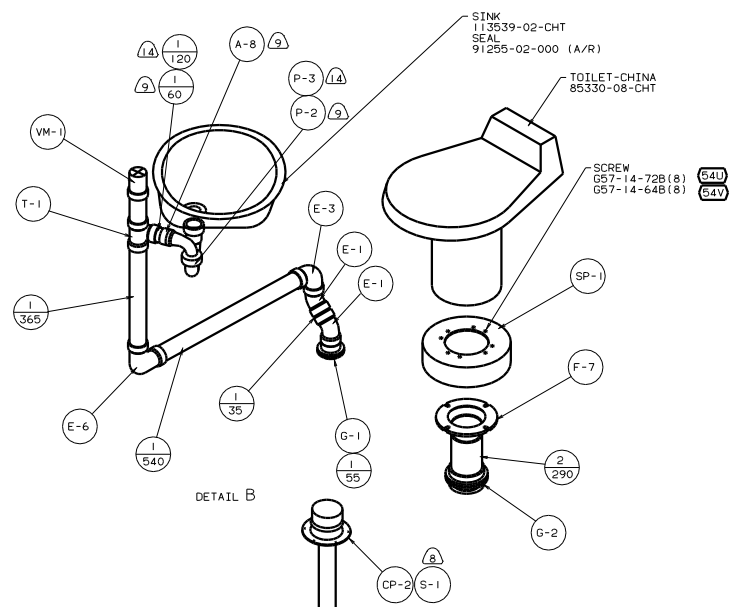
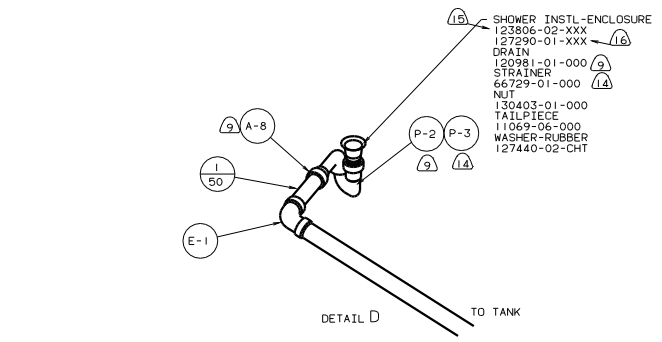
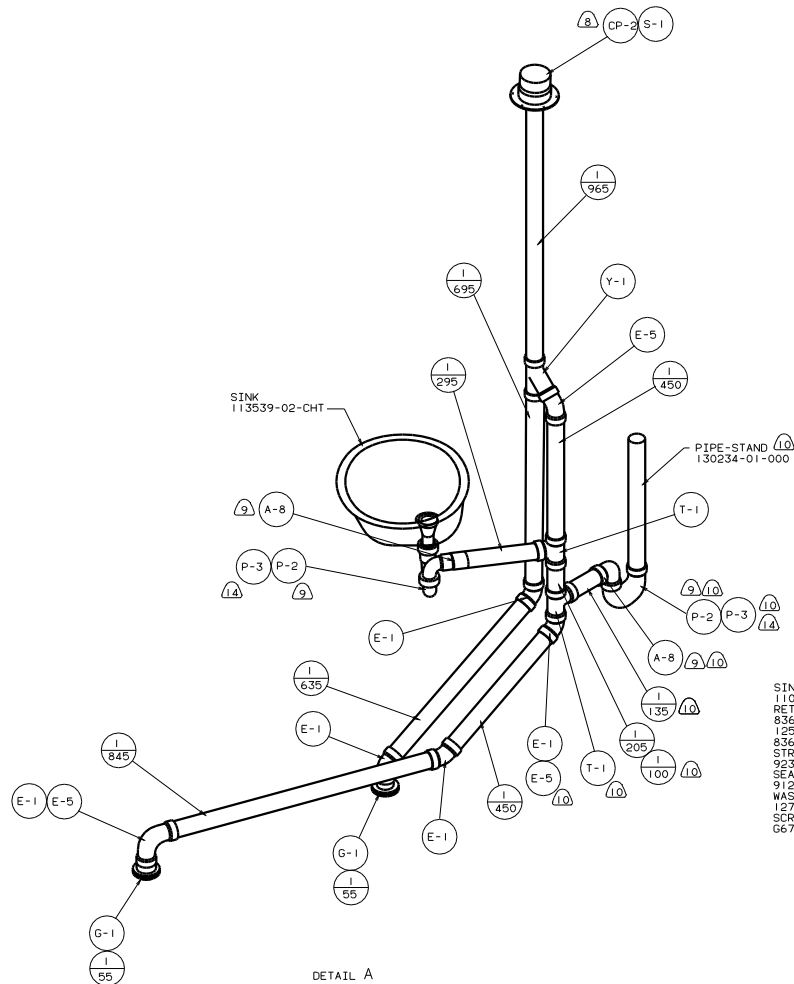
SUPPORT ASM-HOLDING TANK
 131297-01-CHT
 SCREW
 639-08-088 (4)

⑥4V FLOOR COVERING/BATH-VINYL
 ⑥4U FLOOR/BATH-CERAMIC TILE

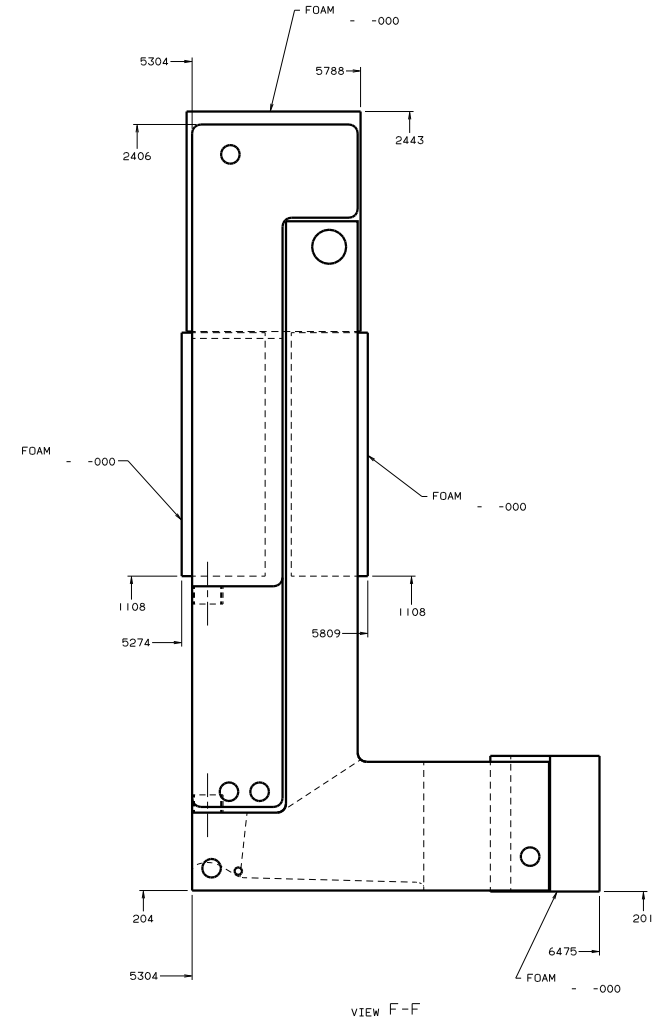
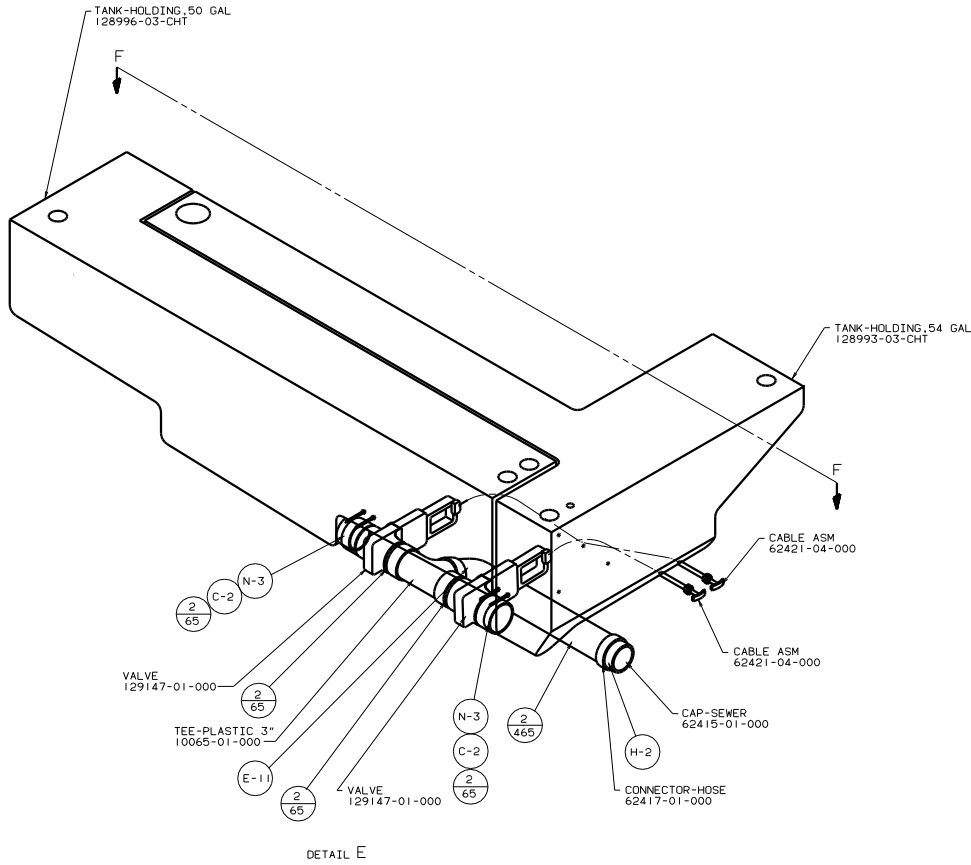
FOR DRAINAGE CALLOUTS SEE DWG NO. 116229-01-000

WINNEBAGO		99 Q40JD	
QTY	DATE	UNSPECIFIED TOLERANCES ARE:	MATERIAL
CHD	DATE	WHOLE OR .01	" F
PIE	DATE	ONE-PLACE (R.A.)	"
F.F.E	DATE	TWO-PLACE (R.A.S)	"
DATE	DATE	ANGLE	"
DATE	DATE	THIRD ANGLE PROJECTION	"

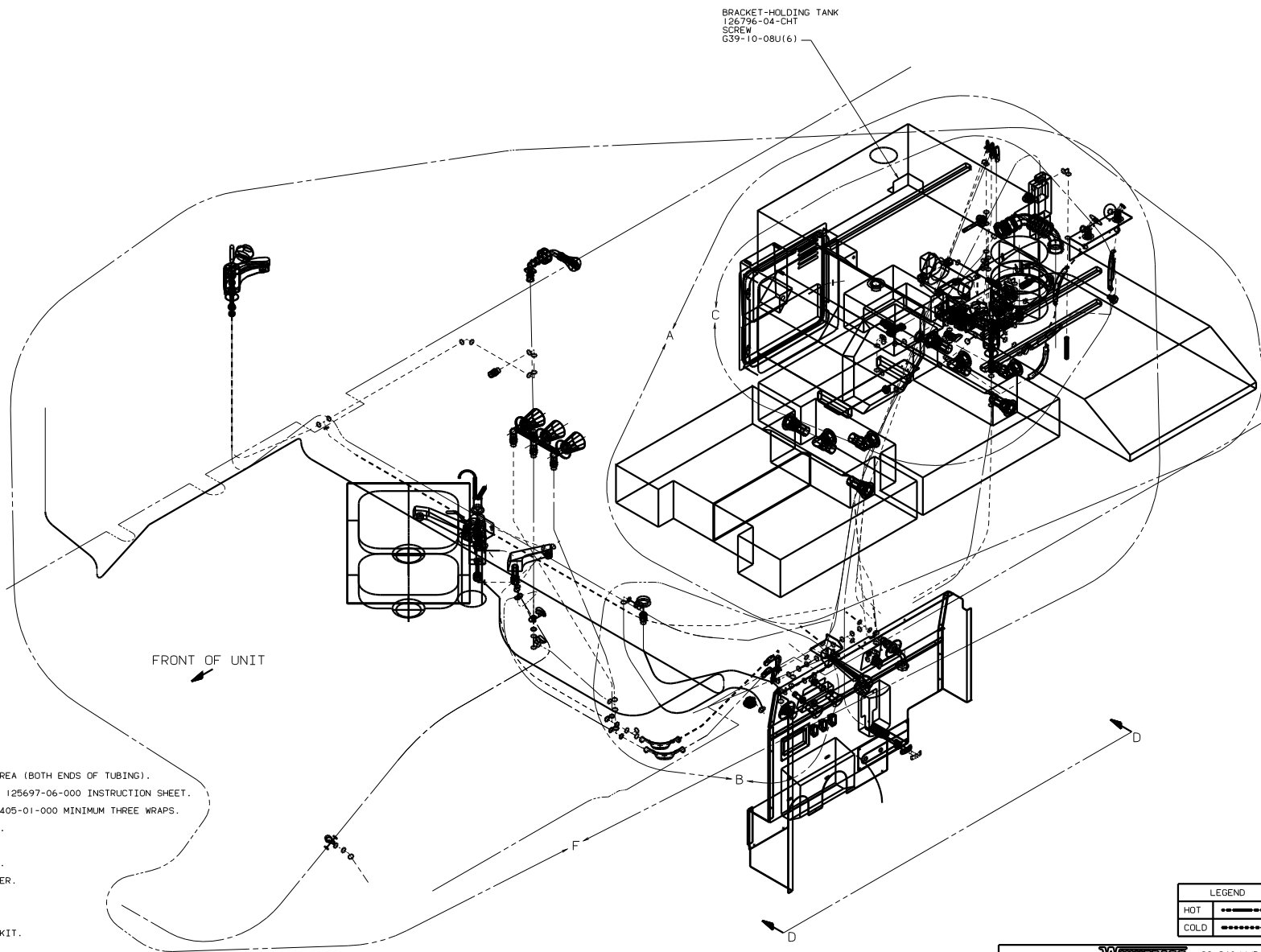
LANOT 040JD TITLE: DRAINAGE SYSTEM INSTL
 116229-01-000 SHEET 1 OF 3
 ALL DIMENSIONS ARE IN MILLIMETERS



99 Q40J/JD
DRAINAGE SYSTEM INSTL
2 of 3
129970



DWG NO	MODEL	SHEET
129971-01	99 040JD	1,2,3,4,5,6
129971-02	00 040J	1,2,3,4,5,7
129971-03	00 040JD	1,2,3,4,5,7



- ⑬ INSTALL ON LINE.
- ⑭ INSTALL WITH TANK.
- ⑮ USE DETAIL "G" IN THIS AREA (BOTH ENDS OF TUBING).
- ⑯ FLUSHING SYSTEM REQUIRES 125697-06-000 INSTRUCTION SHEET.
- ⑰ WRAP WITH TEFLON TAPE 10405-01-000 MINIMUM THREE WRAPS.
- ⑱ 215 DISHWASHER WITHOUT.
- ⑲ 530 WINTERIZING KIT.
- ⑳ 21T WASHER/DRYER WITHOUT.
- ㉑ LOCATE BEHIND WASHER/DRYER.
- ㉒ 54E WASHER/DRYER.
- ㉓ 21N DISHWASHER.
- ㉔ USE WITHOUT WINTERIZING KIT.
- ㉕ 53J WINTERIZING KIT.

3. ALL TUBING TO BE SECURED AT 1200 INTERVALS MAXIMUM WITH CLAMP 10495-01-000 OR CLIP 91951-01-000 AND SCREW G67-10-12B.
2. TUBING TO BE INSTALLED WITH SUFFICIENT SLOPE TO PROVIDE DRAINAGE TO NEAREST VALVE.
1. PLASTIC FITTINGS TO BE SEALED WITH SEALANT 84456-01-000.

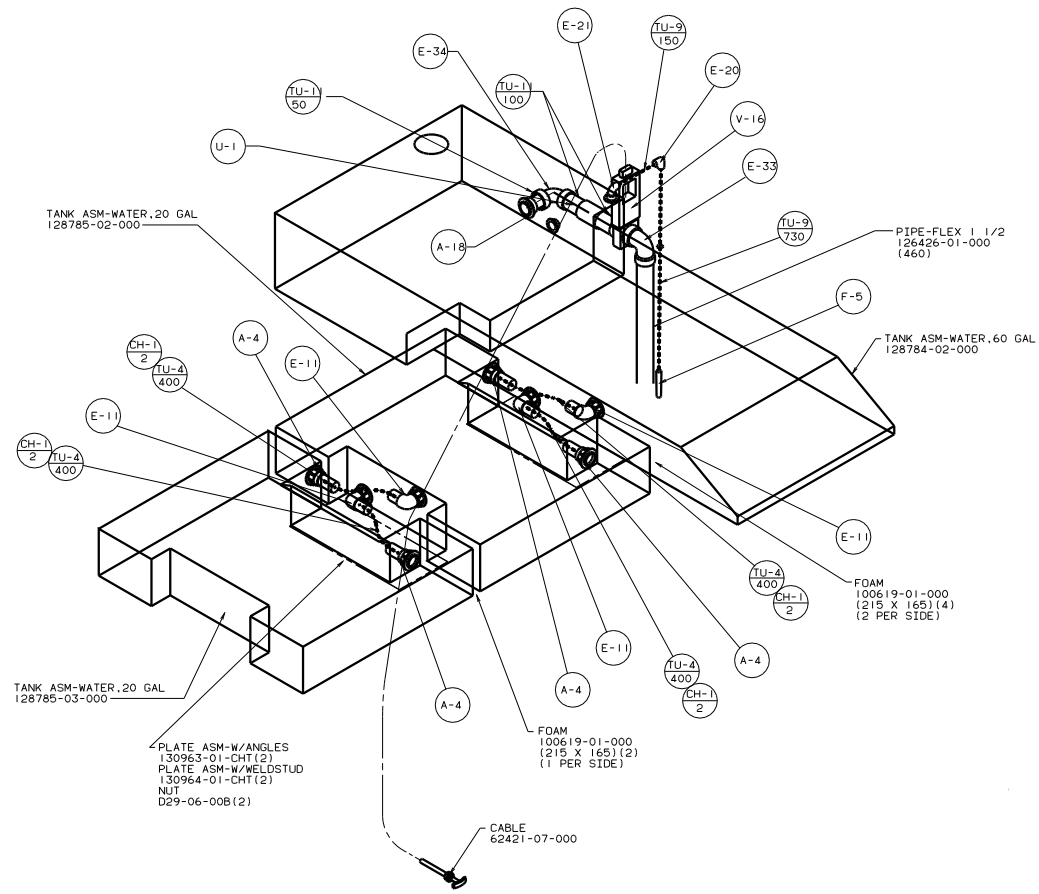
NOTES:

LEGEND	
HOT	—————
COLD	—————

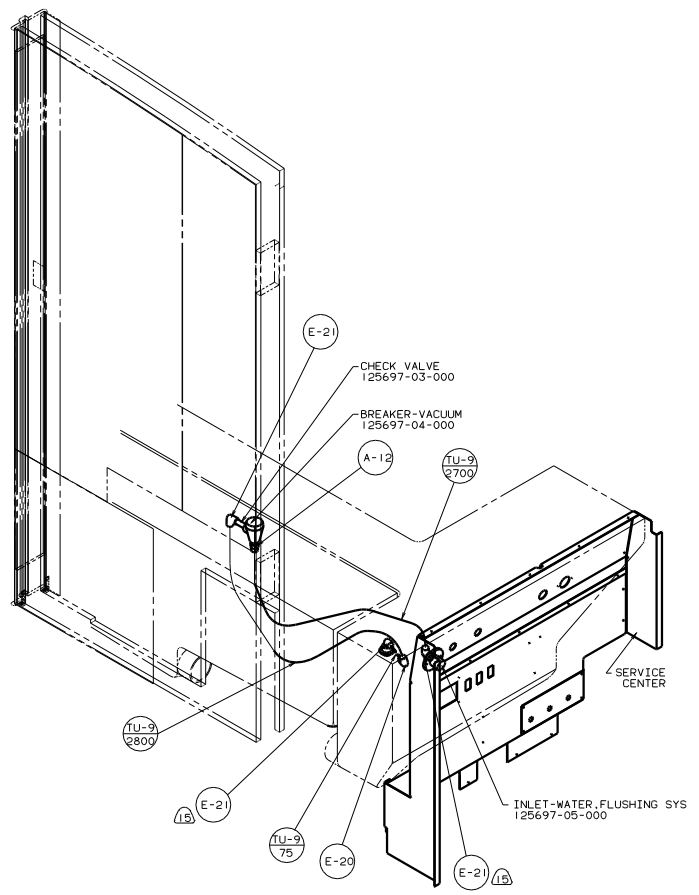


FOR WATER CALLOUTS SEE DWG NO. 116230-01-000

		99 040J/JD
QTY	DATE	UNSPECIFIED TOLERANCES ARE:
CHG	DATE	WHOLE DIM (X)
REV	DATE	ONE-PLACE (X,XX)
DATE	DATE	TWO-PLACE (X,XXX)
DATE	DATE	THIRD WHOLE INCHES
DATE	DATE	PRODUCTION
DRAWING NO. 040JD REV. # 1 ALL DIMENSIONS ARE IN MILLIMETERS		TITLE: WATER SYSTEM INSTL SHEET 1 OF 7 REF: 129591 129971



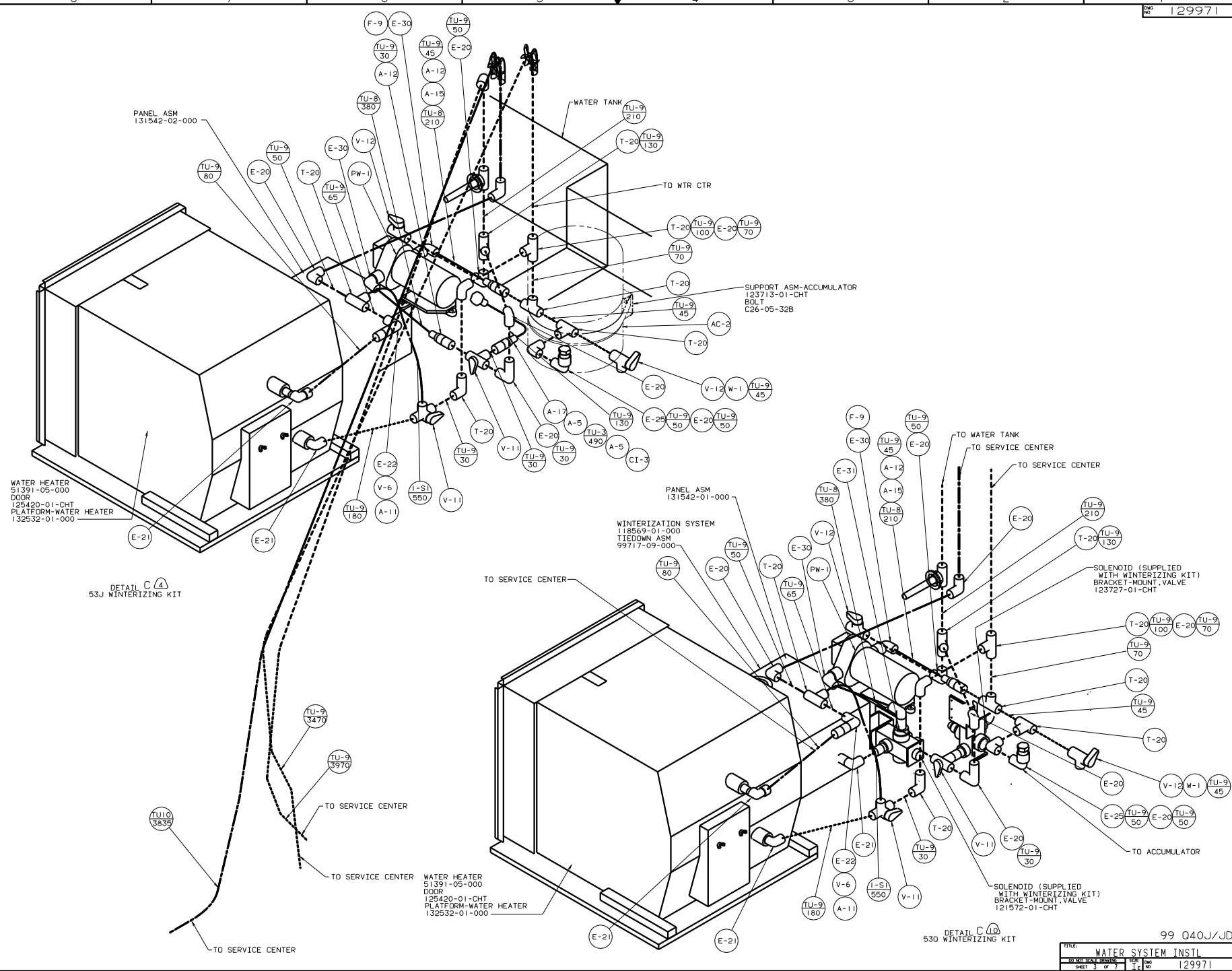
DETAIL A



DETAIL B
FLUSHING SYSTEM

99 Q40J/JD

TITLE		WATER SYSTEM INSTL	
NO	SCALE	REV	DATE
2		1	129971
SHEET 2 OF 7		1 E	



PANEL ASM
131542-02-000

WATER TANK
TU-9
210

WATER HEATER
51391-05-000
DOOR
125420-01-CHT
PLATFORM-WATER HEATER
132532-01-000

PANEL ASM
131542-01-000

WINTERIZATION SYSTEM
118569-01-000
TIEDOWN ASM
99717-09-000

WATER HEATER
51391-05-000
DOOR
125420-01-CHT
PLATFORM-WATER HEATER
132532-01-000

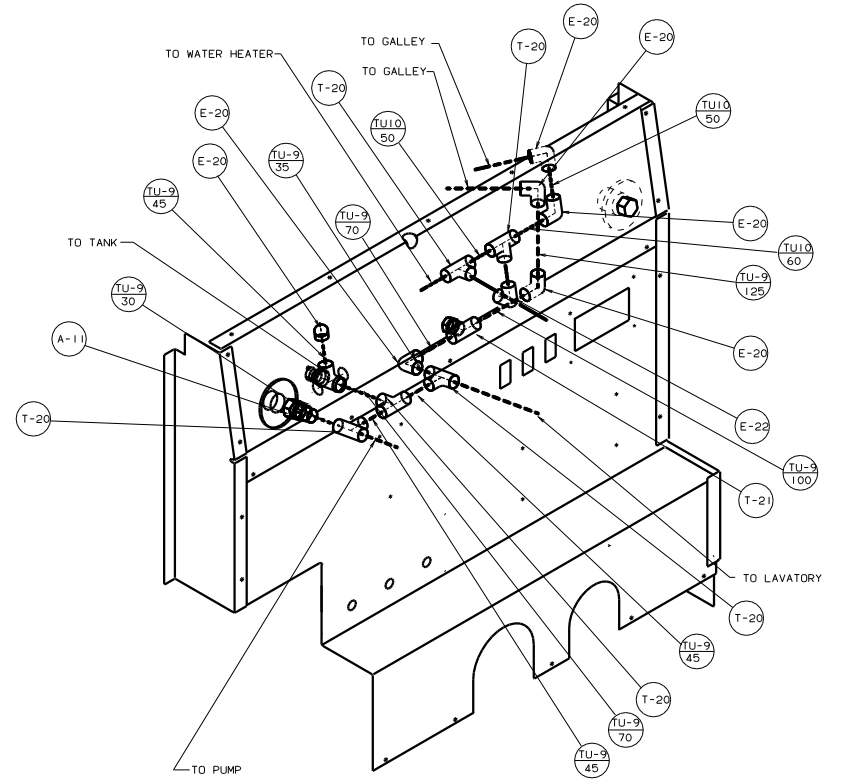
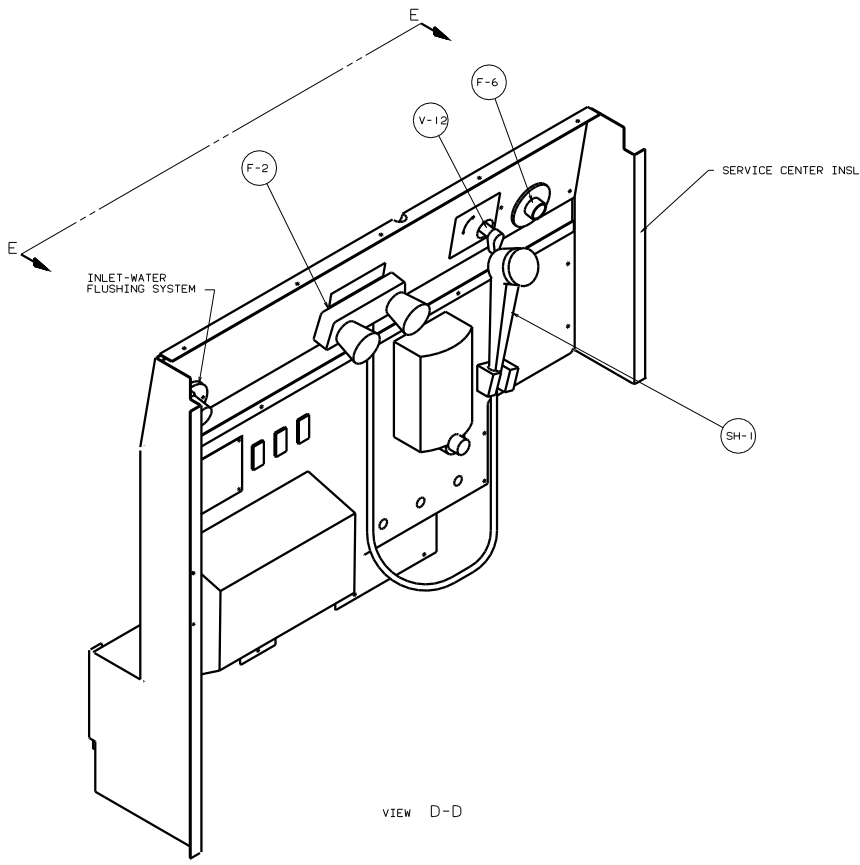
SOLENOID (SUPPLIED
WITH WINTERIZING KIT)
BRACKET-MOUNT, VALVE
123727-01-CHT

SOLENOID (SUPPLIED
WITH WINTERIZING KIT)
BRACKET-MOUNT, VALVE
121572-01-CHT

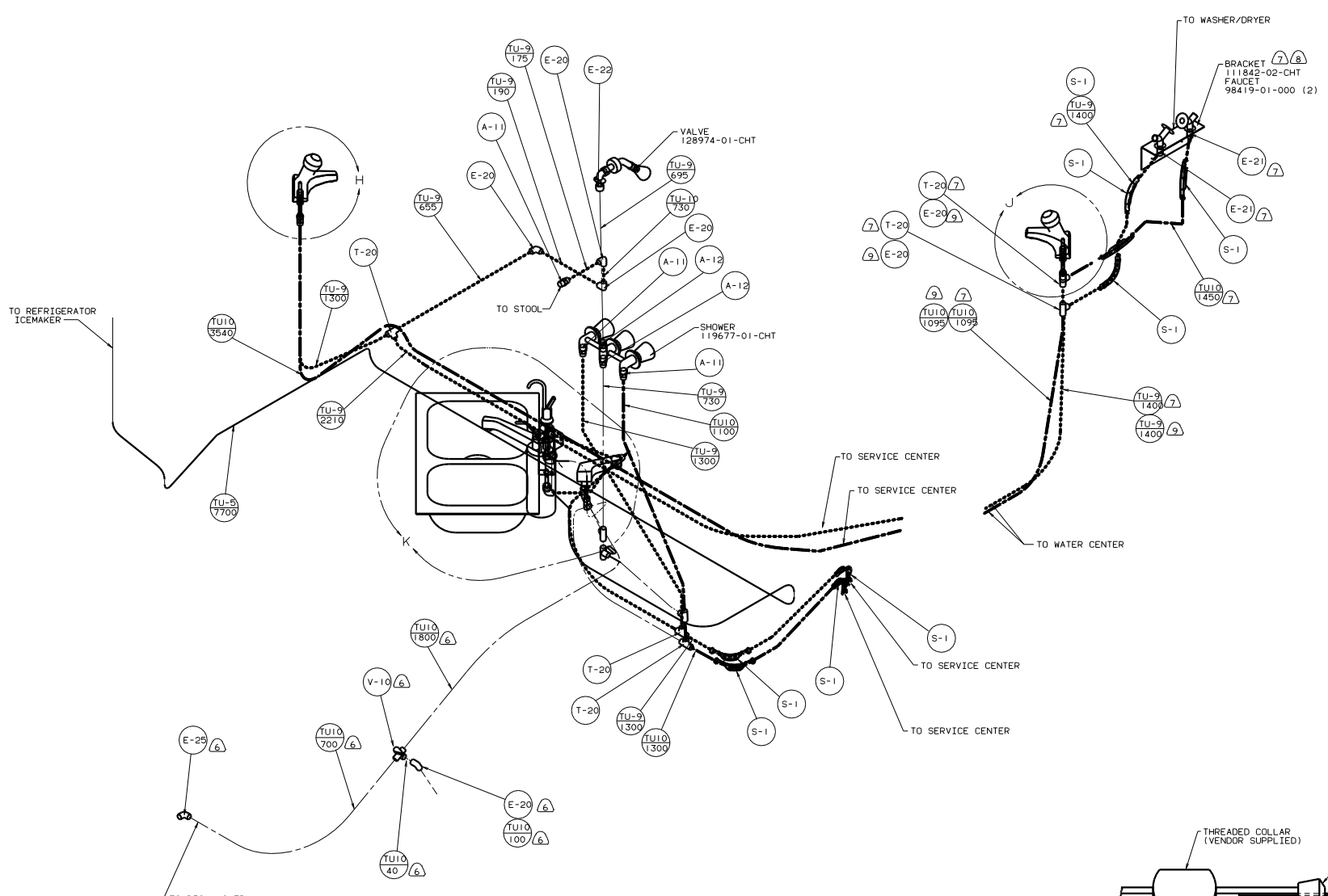
DETAIL C (A)
53J WINTERIZING KIT

DETAIL C (B)
530 WINTERIZING KIT

TITLE		99 Q40J/JD	
WATER SYSTEM INSTL		129971	
NO. OF SHEETS	TOTAL SHEETS	DATE	BY
3 OF 7	7		



99 Q40J/JD	
TITLE: WATER SYSTEM INSL	
NO. OF SHEETS	TOTAL SHEETS
4	7
DWG. NO. 129971	



TO REFRIGERATOR ICEMAKER

TO STOOL

VALVE 128974-01-CHT

SHOWER 119677-01-CHT

TO SERVICE CENTER

TO SERVICE CENTER

TO WATER CENTER

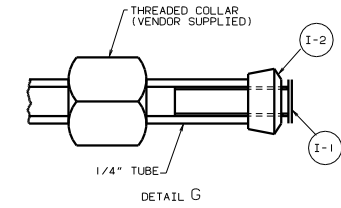
TO SERVICE CENTER

TO SERVICE CENTER

TO WASHER/DRYER

BRACKET 111842-02-CHT
FAUCET 98419-01-000 (2)

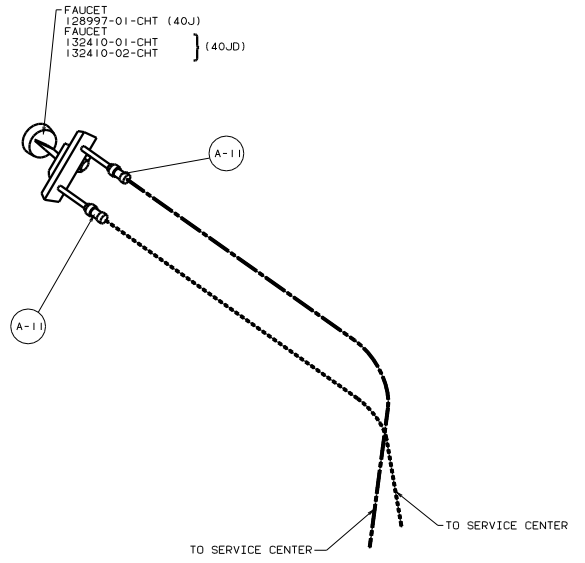
TO DISHWASHER



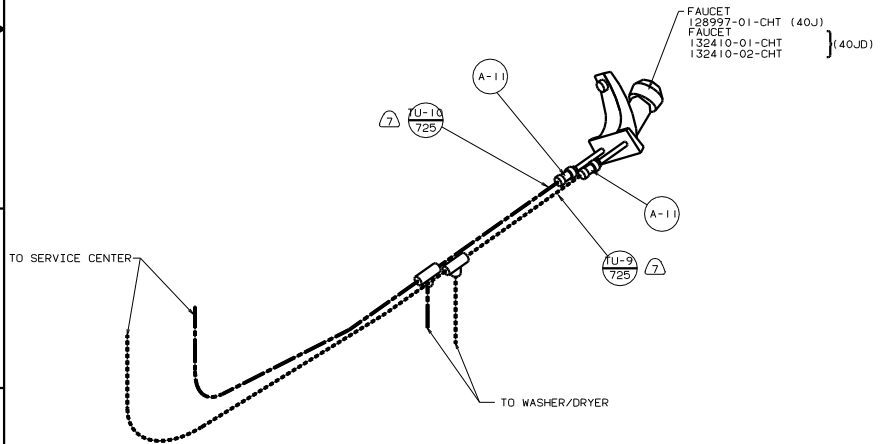
DETAIL G

99 Q40J/JD

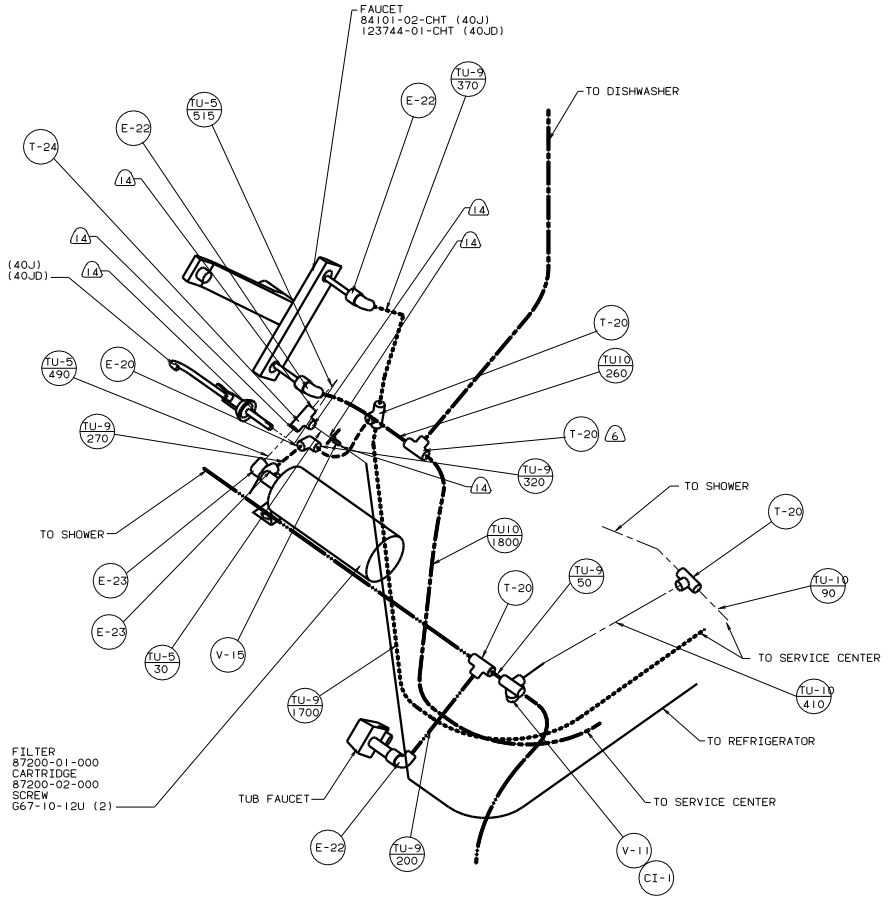
TITLE: WATER SYSTEM INSTL	
NO. OF SHEETS: 7	SHEET NO. 5
DATE: 1/16/01	DWG. NO. 129971



DETAIL H

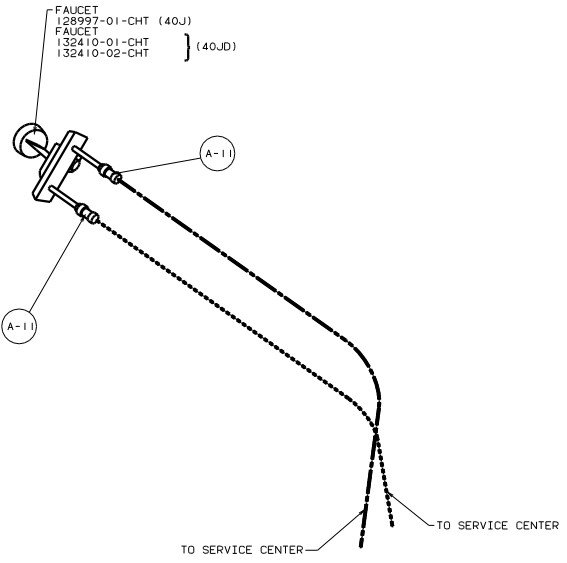


DETAIL J

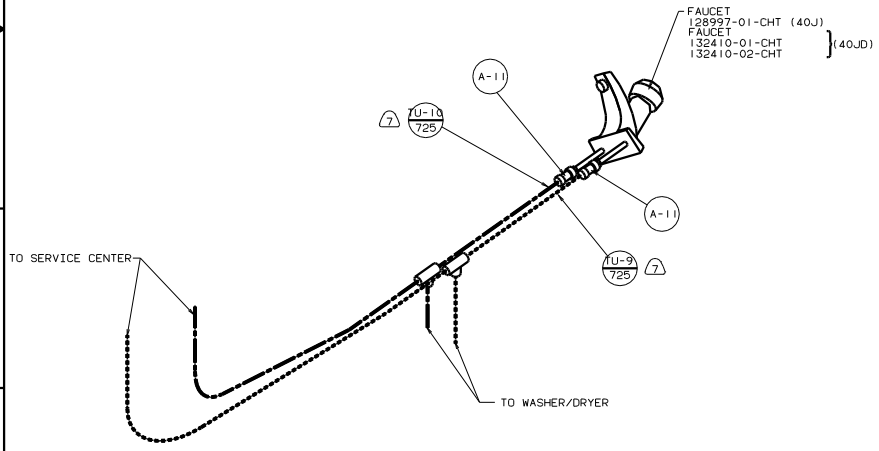


DETAIL K

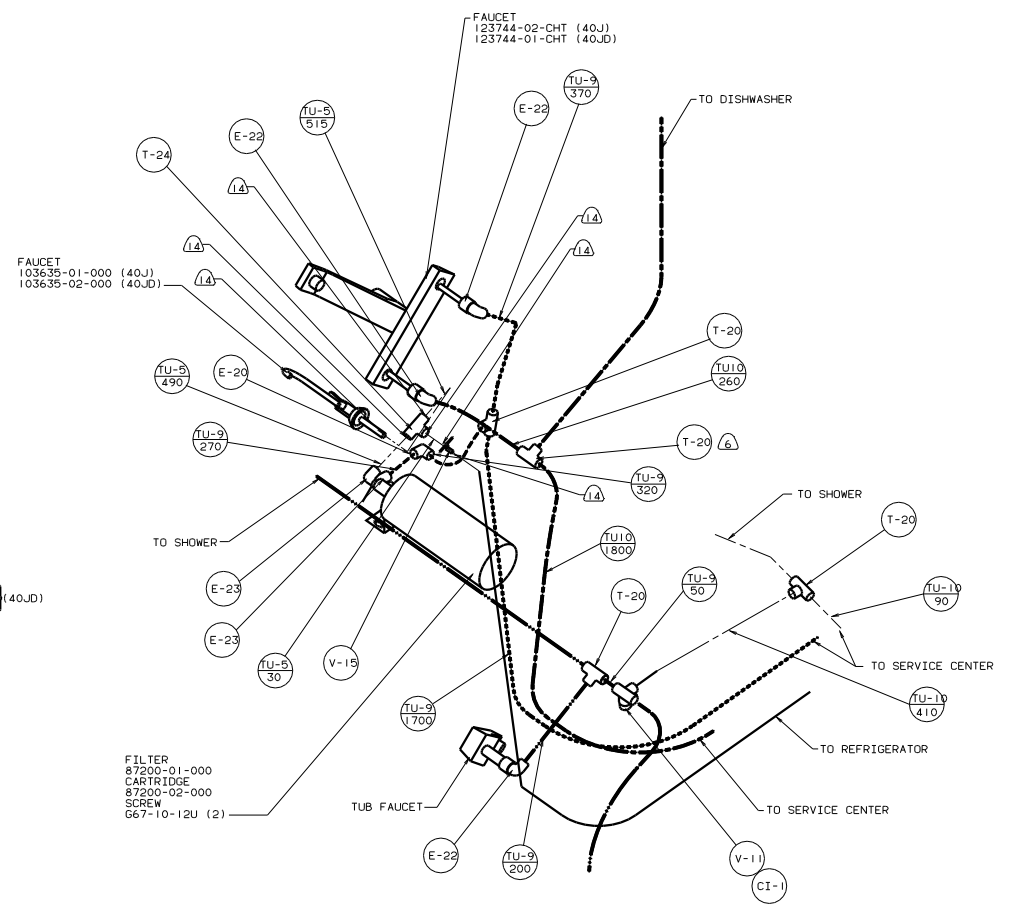
TITLE		WATER SYSTEM INSTL	
NO	SCALE	REV	DATE
1		1	11/16
SHEET 6 OF 7		129971	



DETAIL H



DETAIL J



DETAIL K