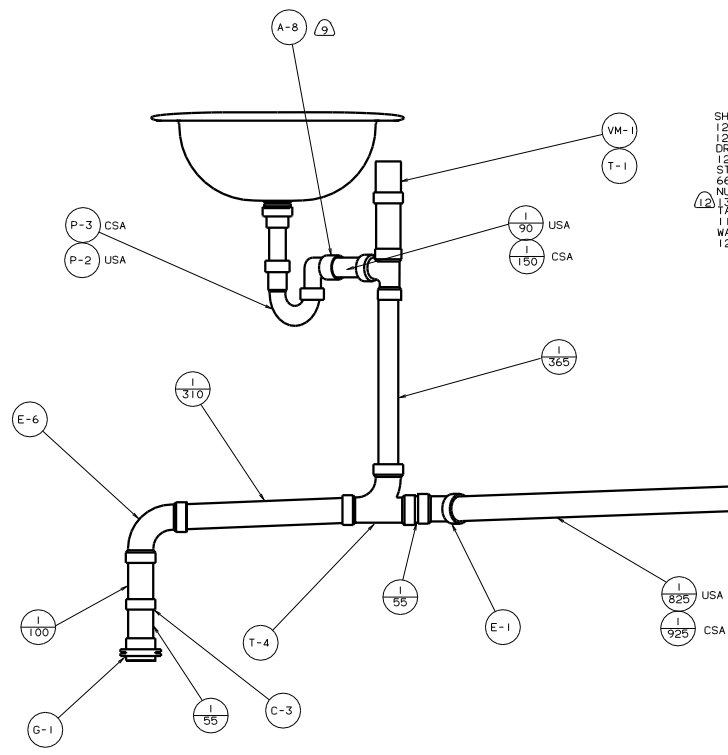
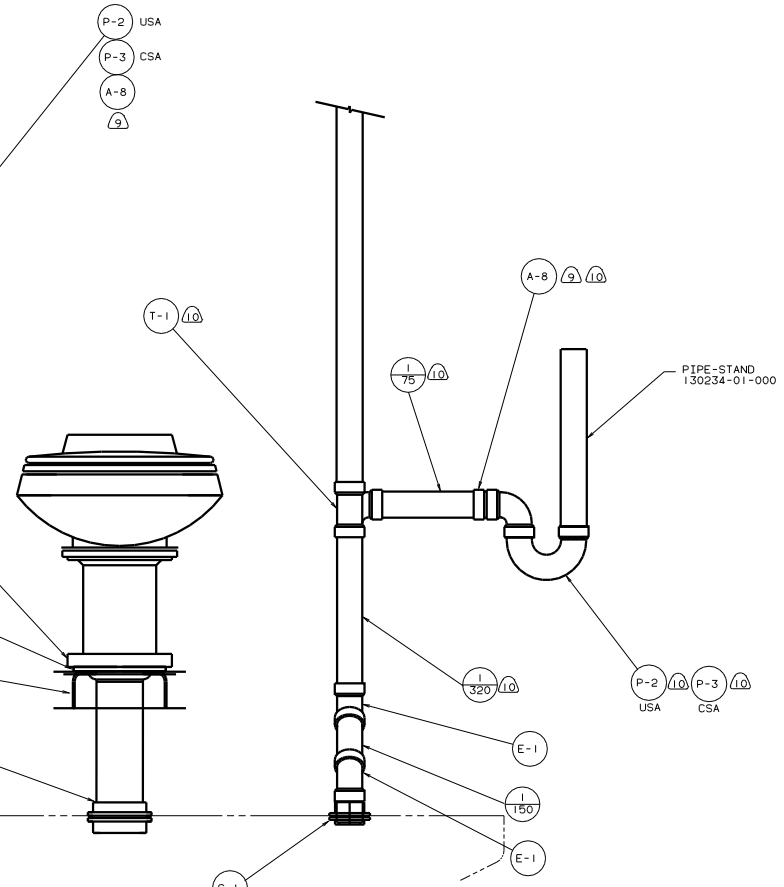


- SHOWER INSTL-ENCLOSURE
- 123806-02-XXX
- 127290-01-XXX
- DRAIN
- 120981-01-000(USA)
- STRAINER
- 66729-01-000(CSA)
- NUT-STRAINER
- 130405-01-000
- TAIL-PIPE
- 11069-06-000
- WASHER-RUBBER
- 127440-02-CHT

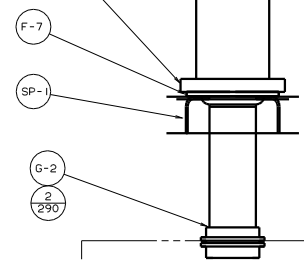


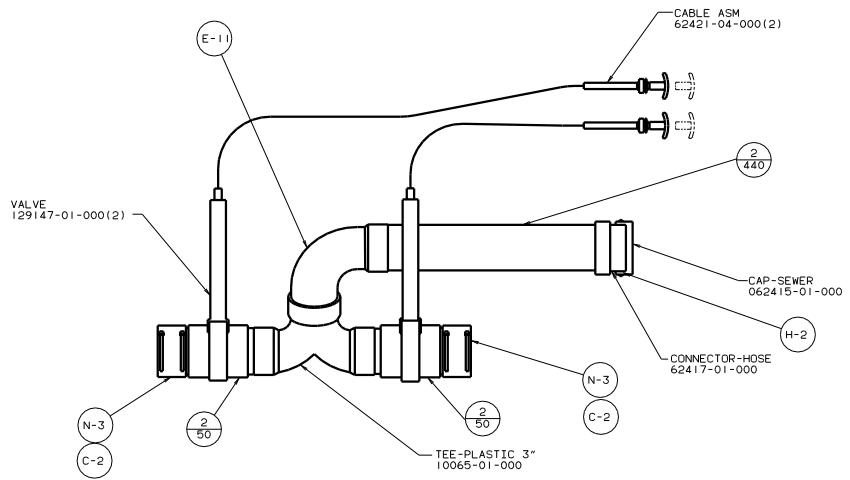
VIEW A-A



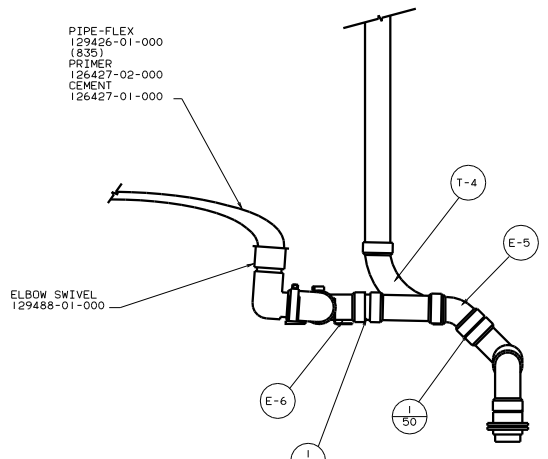
VIEW B-B

- G4U G57-14-72B (8)
- G4V G57-14-64B (8)

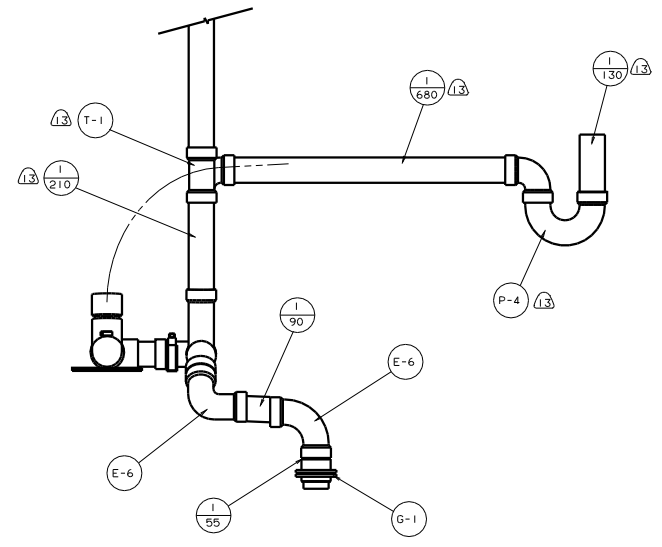


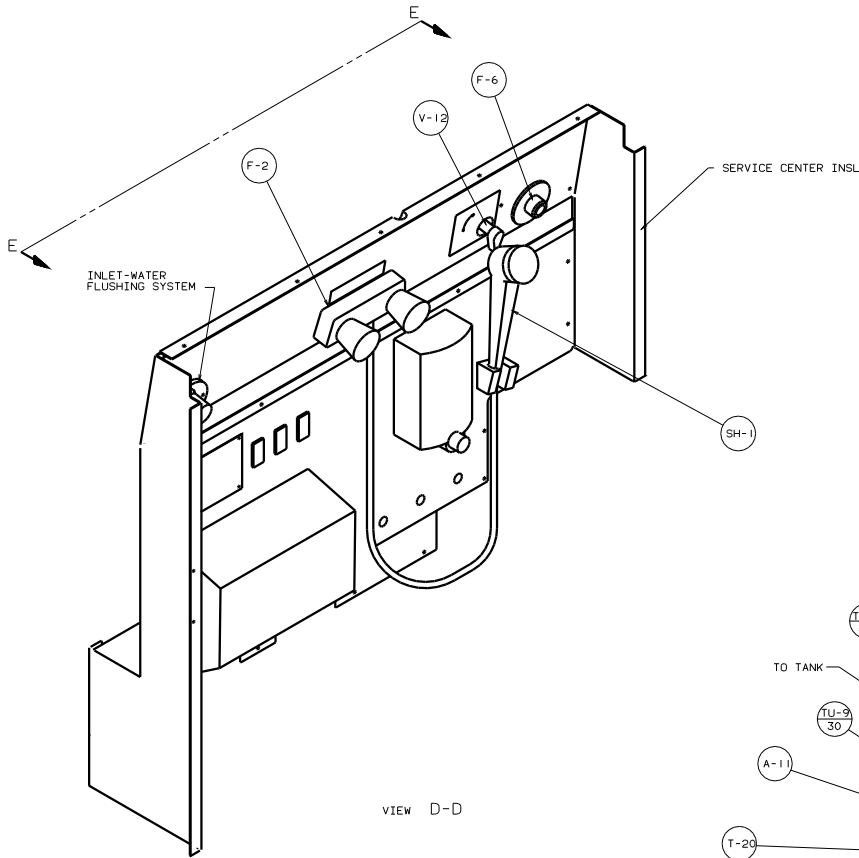


VIEW C-C

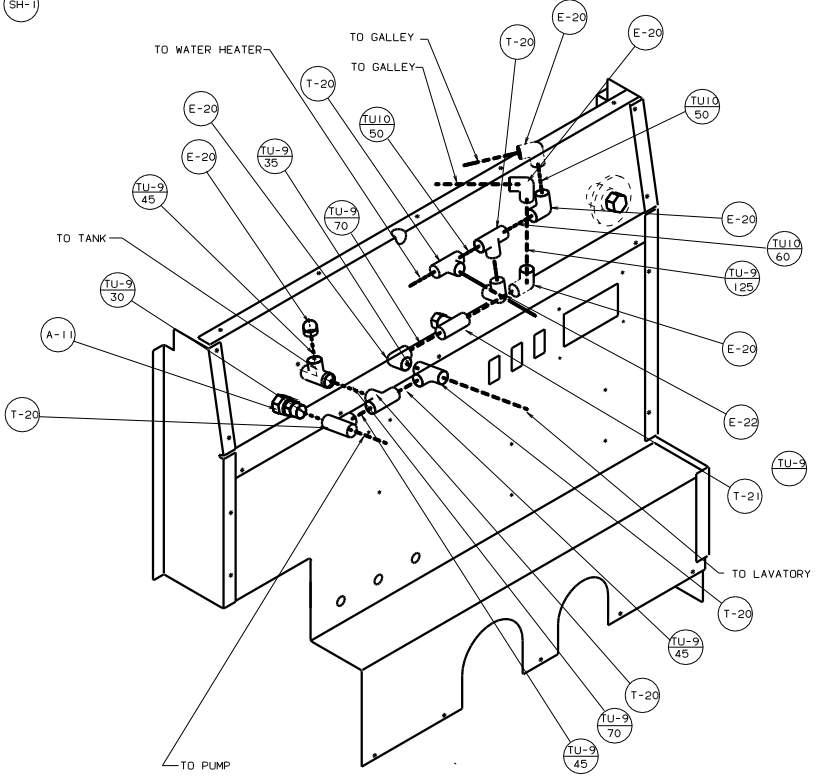


VIEW D-D

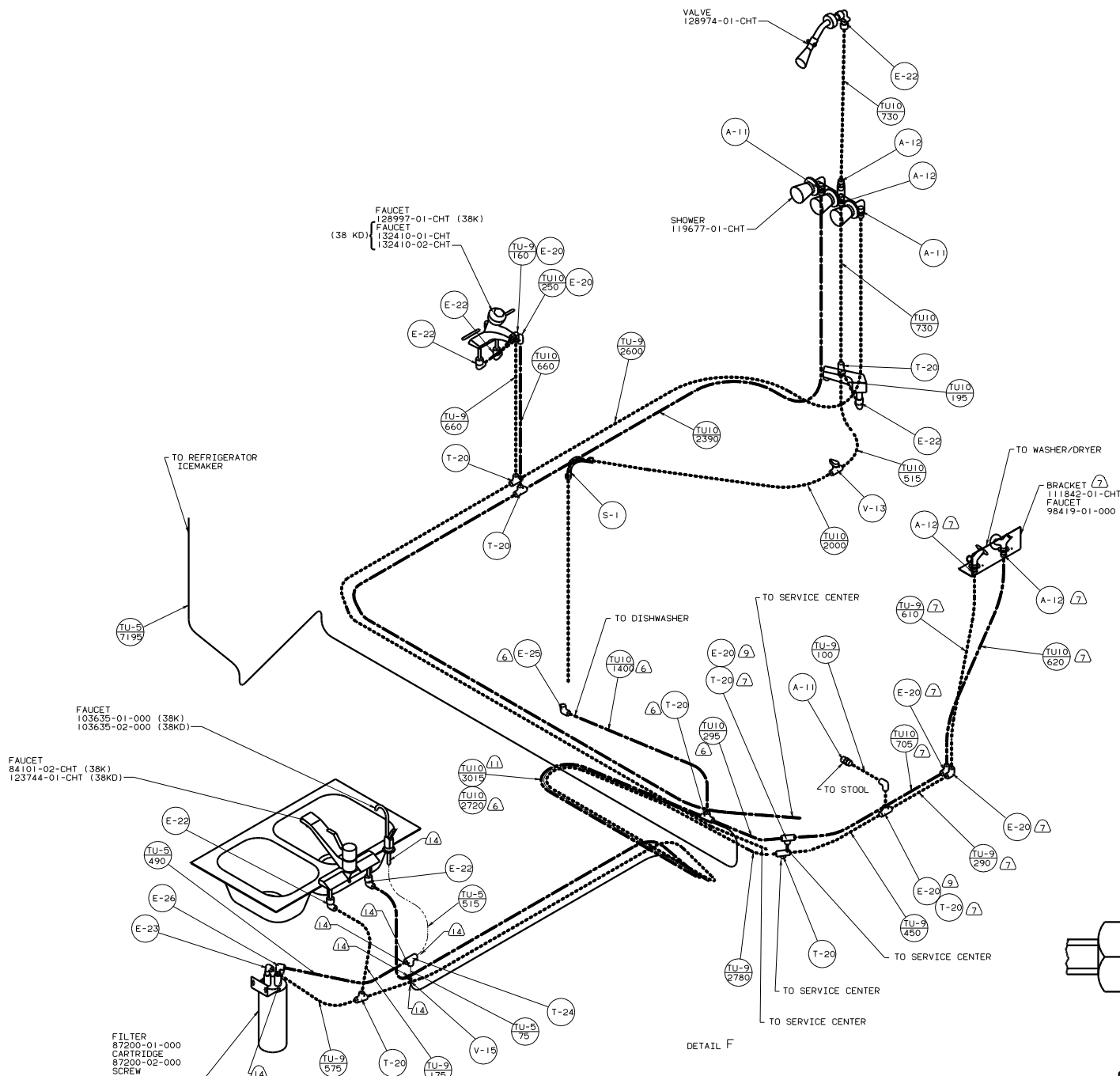




VIEW D-D



VIEW E-E



FAUCET
128997-01-CHT (38K)
FAUCET
(38 KD) 132410-01-CHT
132410-02-CHT

VALVE
128974-01-CHT

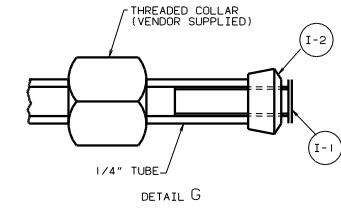
SHOWER
119677-01-CHT

FAUCET
103635-01-000 (38K)
103635-02-000 (38KD)

FAUCET
84101-02-CHT (38K)
123744-01-CHT (38KD)

FILTER
87200-01-000
CARTRIDGE
87200-02-000
SCREW
G67-10-12U (2)

BRACKET
111842-01-CHT
FAUCET
98419-01-000 (2)



99 Q38K/KD	
TITLE:	WATER SYSTEM INSTL
NO. OF SHEETS:	5 OF 6
DWG. NO.:	129591

