

SINK  
 113539-02-CHT  
 SEAL  
 91255-02-000 (A/R)

CLAMP  
 62401-05-000(3)  
 BRACKET  
 95061-01-000(6)  
 SCREW  
 G67-10-128(6)

SINK  
 110654-01-000(US/CAN)  
 RETAINER  
 77351-24-000(2)  
 77351-30-000  
 83125-07-000  
 77351-32-000  
 STRAINER W/BASKET  
 92303-01-000(2)  
 SEALER  
 91255-02-000(A/R)  
 WASHER  
 127440-02-CHT(2)  
 SCREW  
 G67-06-10U(22)

TANK ASM  
 128996-02-000

TANK ASM  
 128993-02-000

TOILET-CHINA  
 85330-08-CHT

BRACKET-CARRIER  
 129408-01-CHT  
 SCREW  
 G67-10-128(7)

BRACKET-COVER  
 129406-01-CHT  
 SCREW  
 G67-10-128(4)

SUPPORT-HOLDING TANK  
 131297-01-CHT  
 SCREW  
 G39-08-088 (4)

- (16) 038K.
- (18) 038KD.
- (14) DISHWASHER WITHOUT 215.
- (13) 21N DISHWASHER.
- (12) INCLUDED WITH GALLEY STRAINER.
- (11) SECURE DRAIN TUBES TO FLOOR.
- (10) 54E WASHER/DRYER.
- (9) NOT USED ON CANADIAN UNITS.
- (8) VENT PIPE MUST PROJECT 51 MIN TO 64 MAX ABOVE ROOF FOR PROPER FIT AND FUNCTION.
- (7) SEE DWG 61607-01-000 FOR INSTL OF GROMMET.
- (6) SEAL ALL AROUND SHOWER PAN WITH SILICONE 78474-01-CHT.

- 5. FOR CANADIAN UNITS EACH HOLDING TANK SHALL HAVE A CSA APPROVAL STAMPED NEAR THE IAPMO APPROVAL.
- 4. ALL EXTERIOR OPENINGS AROUND PIPE TO BE SEALED WITH 69637-01-000.
- 3. ALL PIPE AND FITTINGS TO BE ASSEMBLED WITH SOLVENT 4020-01-000.
- 2. SLOPE OF TRAP MUST BE 6 PER 300 MINIMUM.
- 1. SLOPE OF HORIZONTAL PIPING TO BE 6 PER 300 MINIMUM.

17. SECURE PIPES TO CABINET USING WIRE TIE 108046-02-000 AND SCREW G67-10-12U (8).

(54V) FLOOR COVERING/BATH-VINYL  
 (54U) FLOOR/BATH-CERAMIC TILE

**WINNEBAGO** 99 038KD

DATE	UNDESIGNED TOLERANCES ARE:	MATERIAL
DATE	WHOLE DIM (IN)	
DATE	ONE-PLACE (IN.X1)	
DATE	TWO-PLACE (IN.XXX)	
DATE	MIXED	
DATE	THIRD WHOLE INCHES	
DATE	THIRD WHOLE INCHES	

FOR DRAINAGE CALL-OUTS SEE DWG NO. 116229-01-000

SCALE: 1/8" = 1"

DATE: 12/85

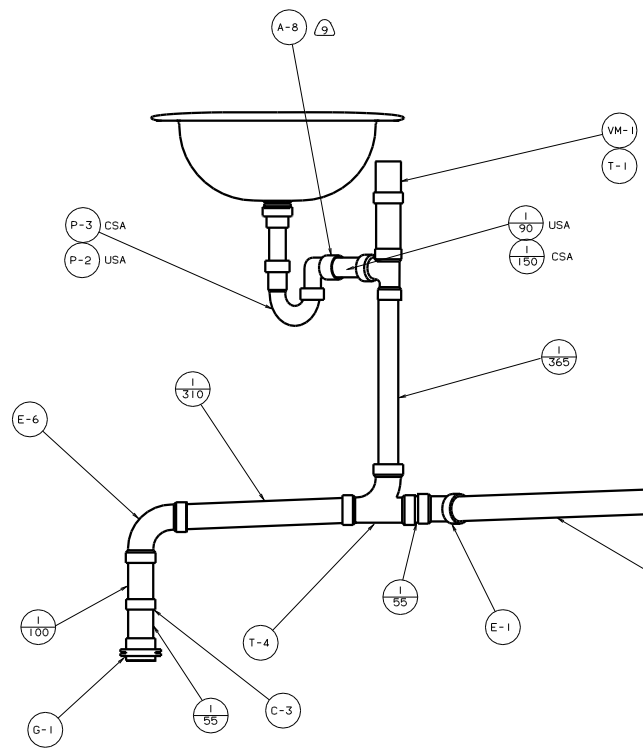
DRN: F31WD

TITLE: DRAINAGE SYSTEM INSTL

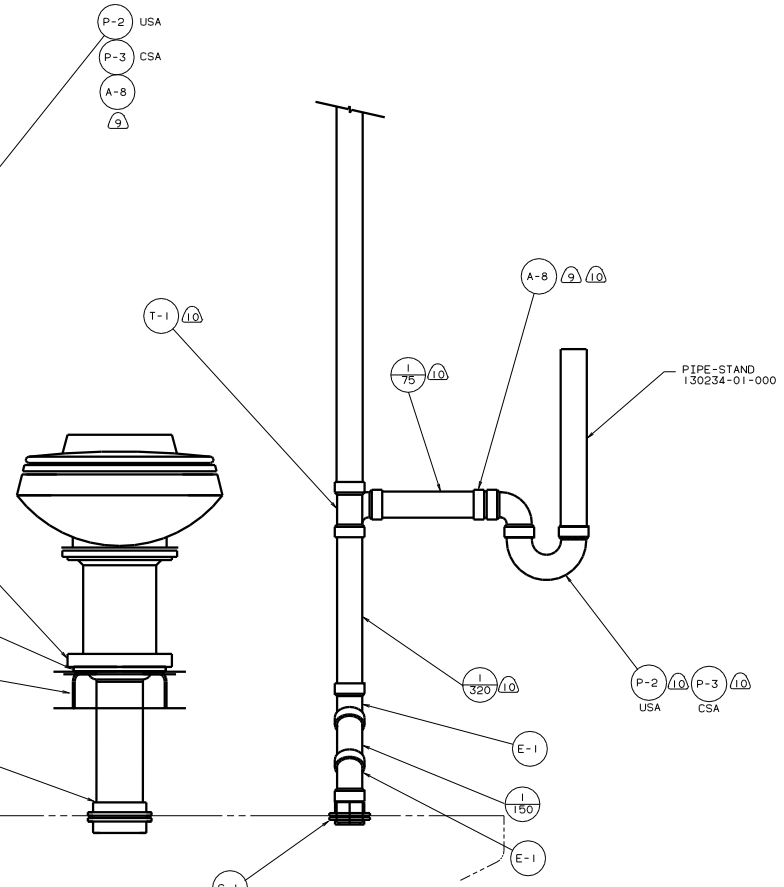
SHEET 1 OF 3

REF: 125860 E 1

- SHOWER INSTL-ENCLOSURE
- 123806-02-XXX
- 127290-01-XXX
- DRAIN
- 120981-01-000(USA)
- STRAINER
- 66729-01-000(CSA)
- NUT-STRAINER
- 130405-01-000
- 11069-06-000
- WASHER-RUBBER
- 127440-02-CHT

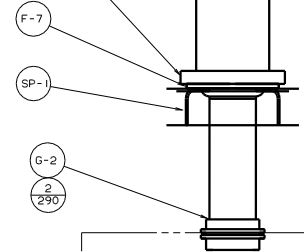


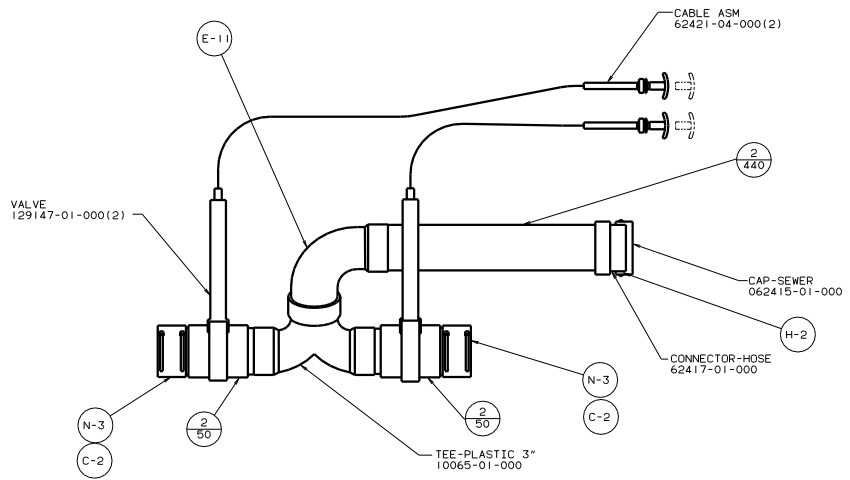
VIEW A-A



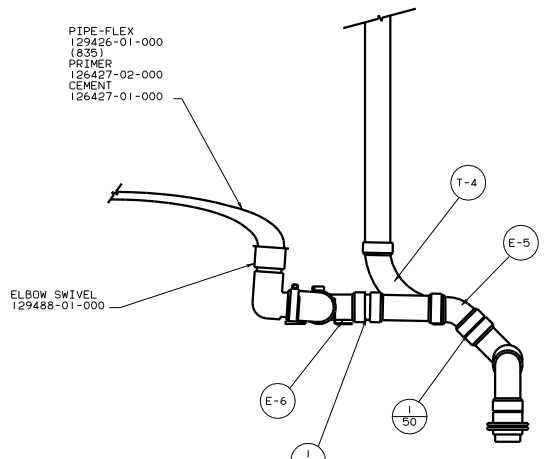
VIEW B-B

- G4U G57-14-72B (8)
- G4V G57-14-64B (8)

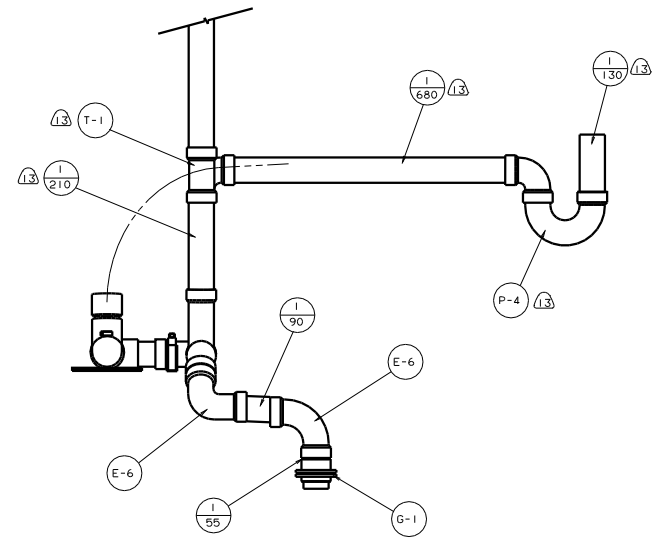




VIEW C-C

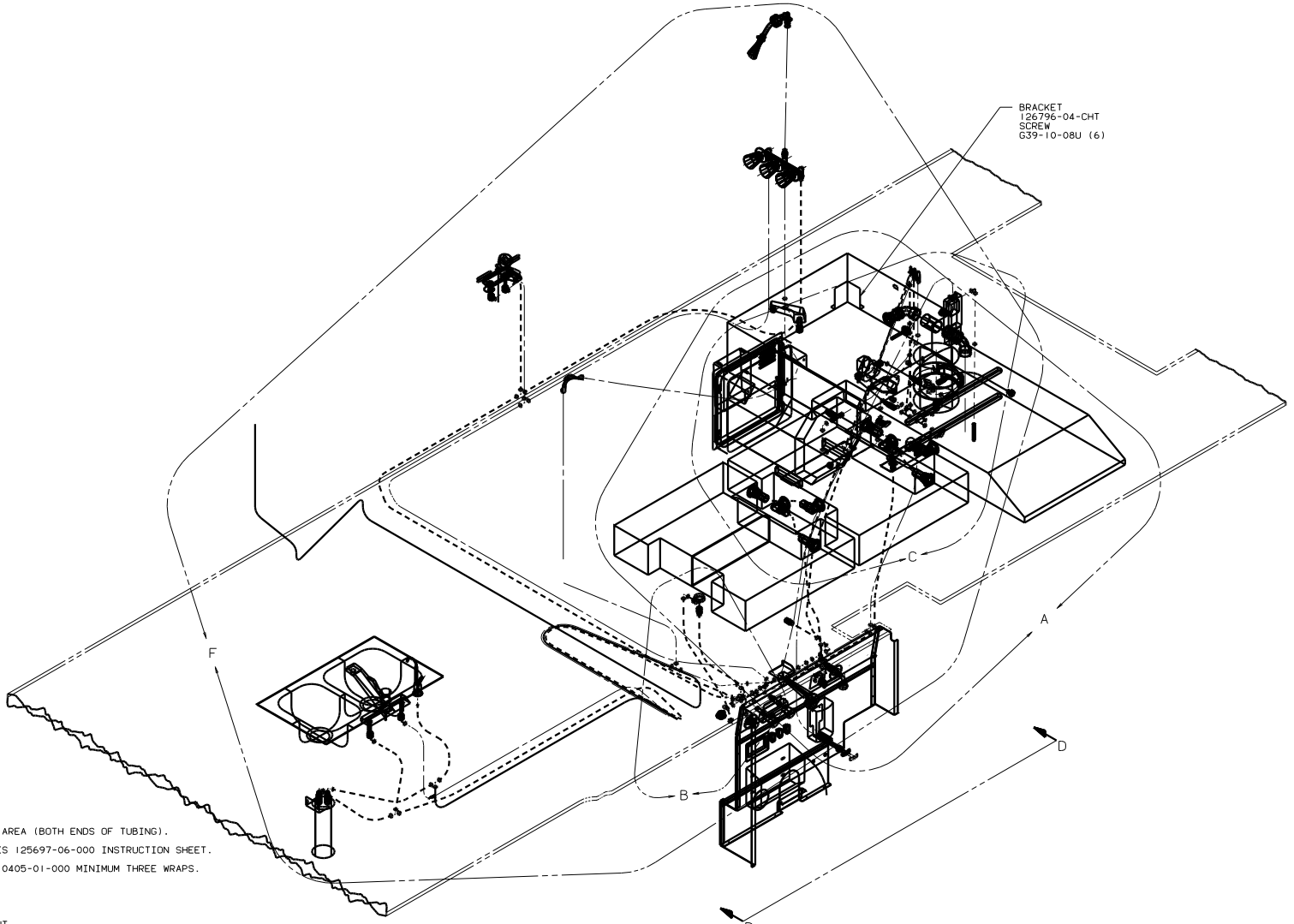


VIEW D-D



DWG NO	----	SHEETS
129591-01	99 038KD	1,2,3,4,5
129591-02	99 038K	1,2,3,4,5
129591-03	00 038KD	1,2,3,4,6
129591-04	00 038K	1,2,3,4,6

RELEASE BY DATE OF THIS DRAWING NO. 129591  
 REVISION RECORD DATE BY NO.



BRACKET  
 126796-04-CHT  
 SCREW  
 639-10-08U (6)

- ⑬ INSTALL ON LINE.
  - ⑫ INSTALL WITH TANK.
  - ⑪ USE DETAIL "G" IN THIS AREA (BOTH ENDS OF TUBING).
  - ⑩ FLUSHING SYSTEM REQUIRES 125697-06-000 INSTRUCTION SHEET.
  - ⑨ WRAP WITH TEFLON TAPE 10405-01-000 MINIMUM THREE WRAPS.
  - ⑧ 215 DISHWASHER WITHOUT.
  - ⑦ 530 WINTERIZING KIT.
  - ⑥ 21T WASHER/DRYER-WITHOUT.
  - ⑤ LOCATE BEHIND WASHER/DRYER.
  - ④ 54E WASHER/DRYER.
  - ③ 21N DISHWASHER/BUILT-IN.
  - ② USE WITHOUT WINTERIZING KIT.
  - ① 53J WINTERIZING KIT.
3. ALL TUBING TO BE SECURED AT 1200 INTERVALS MAXIMUM WITH CLAMP 10495-01-000 OR CLIP 91951-01-000 AND SCREW G67-10-12B.
  2. TUBING TO BE INSTALLED WITH SUFFICIENT SLOPE TO PROVIDE DRAINAGE TO NEAREST VALVE.
  1. PLASTIC FITTINGS TO BE SEALED WITH SEALANT 84456-01-000.

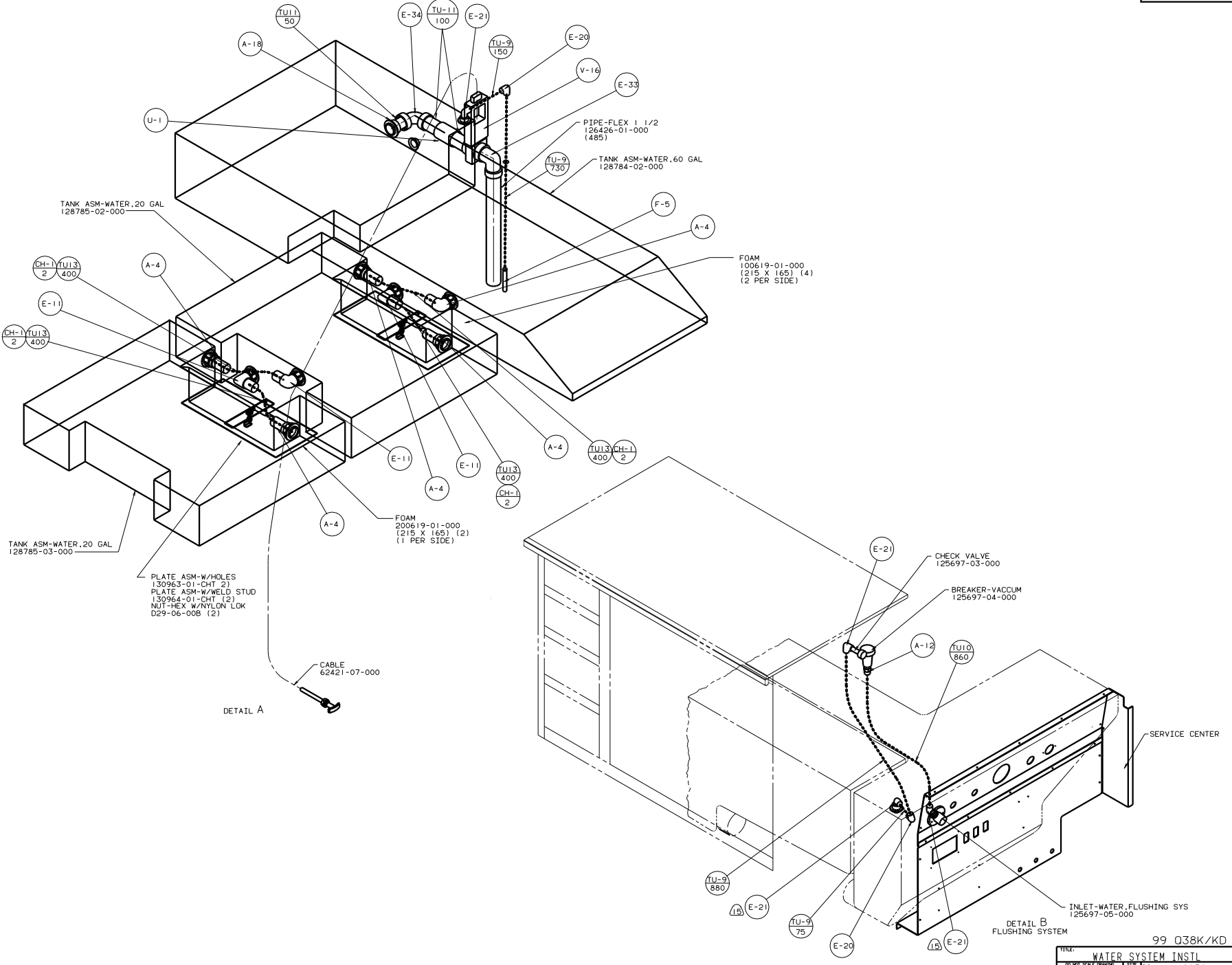
NOTES:

LEGEND	
HOT	-----
COLD	-----

FOR WATER CALL-OUTS SEE DWG NO. 116230-01-000

<b>WINNEBAGO</b> 99 038K/KD		DATE	UNSPECIFIED TOLERANCES ARE:	MATERIAL
		DATE	WHOLE OR .01	" "
DATE	ONE-PLACE (X.X1)	DATE	ONE-PLACE (X.X1)	
DATE	ONE-PLACE (X.X1)	DATE	ONE-PLACE (X.X1)	
DATE	ONE-PLACE (X.X1)	DATE	ONE-PLACE (X.X1)	
DATE	ONE-PLACE (X.X1)	DATE	ONE-PLACE (X.X1)	
DATE	ONE-PLACE (X.X1)	DATE	ONE-PLACE (X.X1)	
DATE	ONE-PLACE (X.X1)	DATE	ONE-PLACE (X.X1)	
DATE	ONE-PLACE (X.X1)	DATE	ONE-PLACE (X.X1)	
DATE	ONE-PLACE (X.X1)	DATE	ONE-PLACE (X.X1)	

LANE# 038KD	TITLE: WATER SYSTEM INSTL
REV #	SCALE: NONE
NO. OF SHEETS: 6	SHEET 1 OF 6
DATE: 129591	DWG NO: 129591



DETAIL A

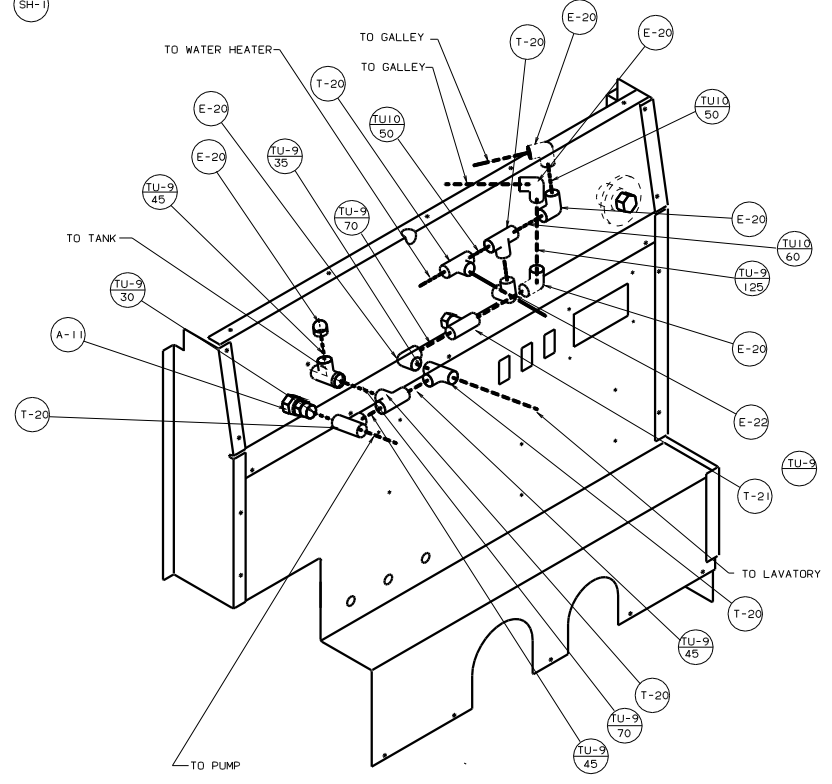
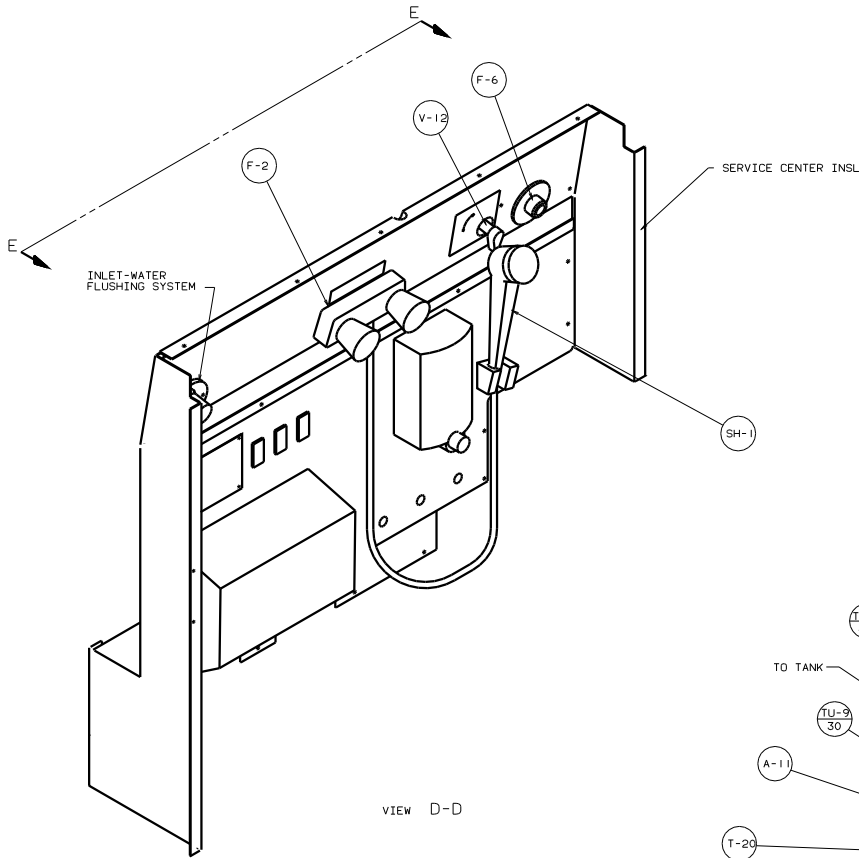
DETAIL B  
FLUSHING SYSTEM

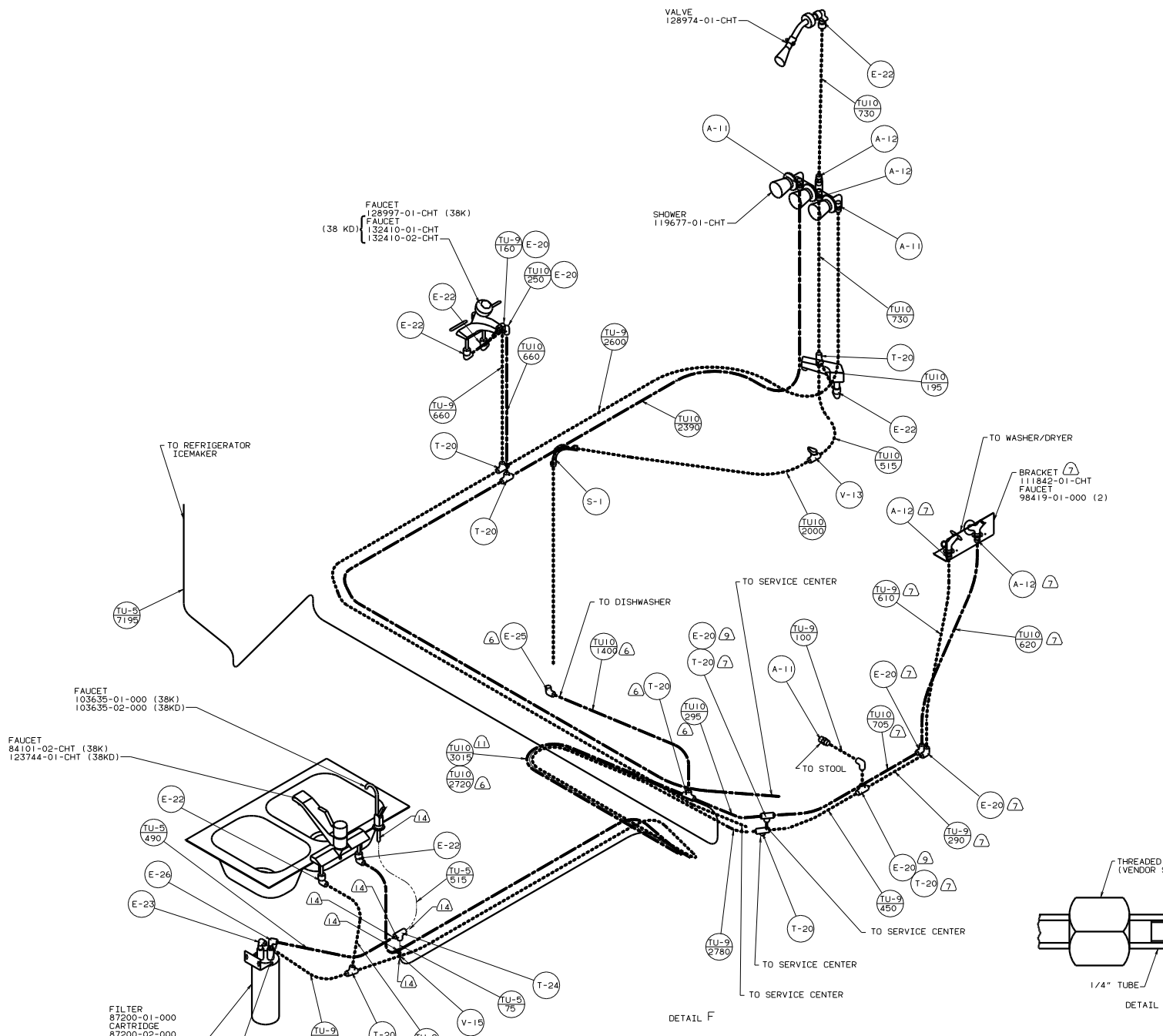
SERVICE CENTER

99 Q38K/KD

TITLE: WATER SYSTEM INSTL	
NO. OF SHEETS	TOTAL SHEETS
SHEET 2 OF 6	16
129591	







FAUCET  
128997-01-CHT (38K)  
FAUCET  
(38 KD) 132410-01-CHT  
132410-02-CHT

VALVE  
128974-01-CHT

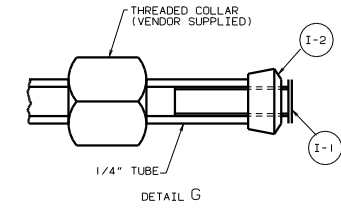
SHOWER  
119677-01-CHT

FAUCET  
103635-01-000 (38K)  
103635-02-000 (38KD)

FAUCET  
84101-02-CHT (38K)  
123744-01-CHT (38KD)

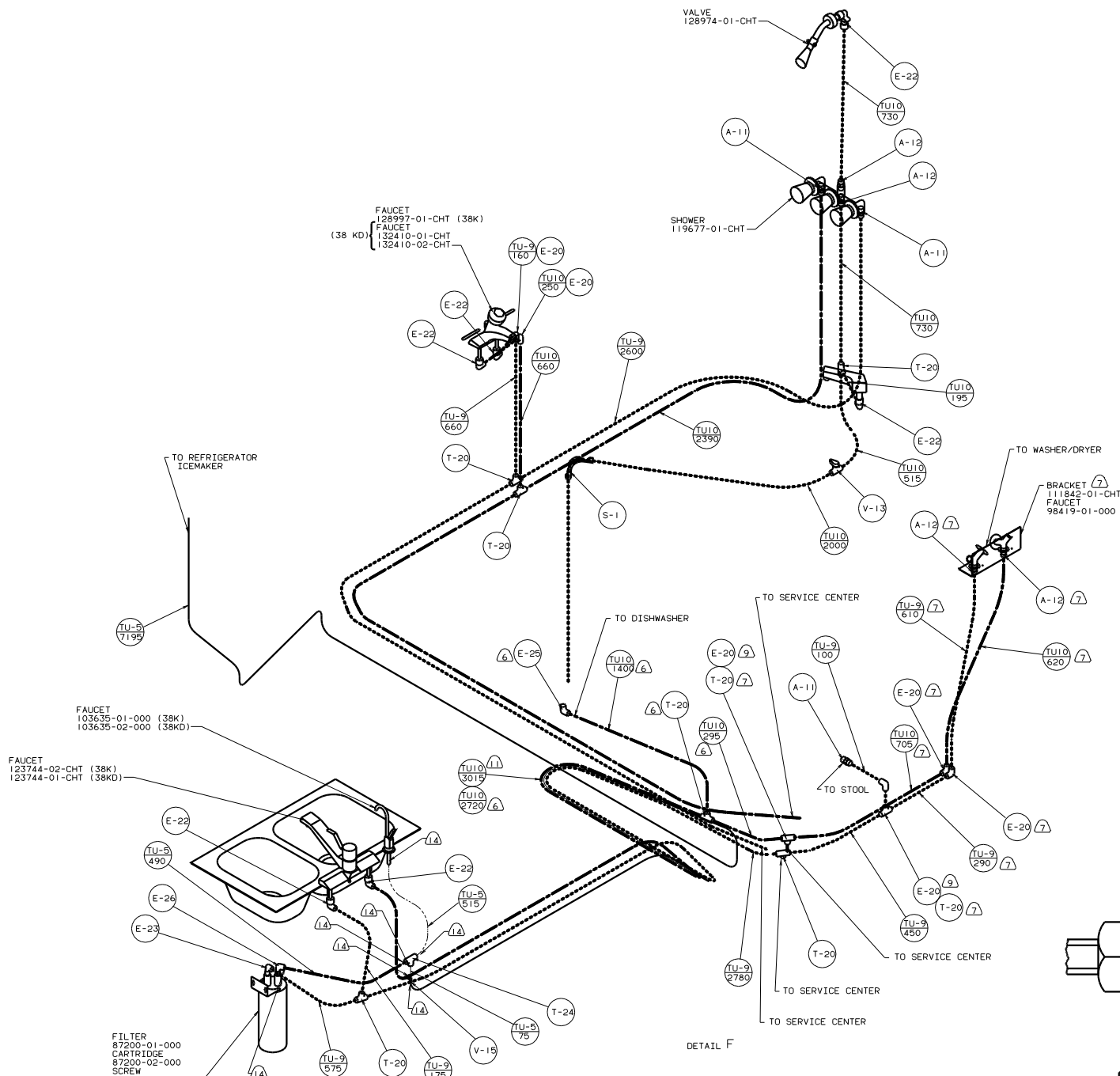
FILTER  
87200-01-000  
CARTRIDGE  
87200-02-000  
SCREW  
G67-10-12U (2)

BRACKET  
111842-01-CHT  
FAUCET  
98419-01-000 (2)



99 Q38K/KD	
TITLE	WATER SYSTEM INSTL
NO. OF SHEETS	5 OF 6
REV	1.0
DWG NO	129591





FAUCET  
128997-01-CHT (38K)  
FAUCET  
(38 KD) 132410-01-CHT  
132410-02-CHT

VALVE  
128974-01-CHT

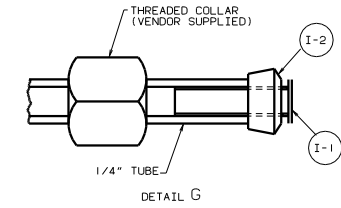
SHOWER  
119677-01-CHT

FAUCET  
103635-01-000 (38K)  
103635-02-000 (38KD)

FAUCET  
123744-02-CHT (38K)  
123744-01-CHT (38KD)

FILTER  
87200-01-000  
CARTRIDGE  
87200-02-000  
SCREW  
G67-10-12U (2)

BRACKET  
111842-01-CHT  
FAUCET  
98419-01-000 (2)



00 Q38K/KD	
TITLE	WATER SYSTEM INSTL
NO. OF SHEETS	6 OF 6
SHEET NO.	5 OF 6
DATE	129591