

- 11. SECURE VENT TUBES TO FLOOR WITH BRACKET 95061-01-000(2) CLAMP 62401-02-000, SCREW G67-10-12B(2).
- 10. SECURE PIPES TO CABINET USING WIRE TIE 108046-02-000 AND SCREW G67-10-12U(8).
- 9. NOT USED ON CANADIAN UNITS.
- 8. VENT PIPE MUST PROJECT 51 MINIMUM TO 64 MAXIMUM ABOVE ROOF FOR PROPER FIT AND FUNCTION.
- 7. SEE DRAWING 61607-01-000 FOR INSTALLATION OF GROMMET.
- 6. SEAL ALL AROUND SHOWER PAN WITH SILICONE 78474-01-CHT.
- 5. FOR CANADIAN UNITS EACH HOLDING TANK SHALL HAVE A CSA APPROVAL STAMPED NEAR THE IAMPO APPROVAL.
- 4. ALL EXTERIOR OPENINGS AROUND PIPE TO BE SEALED WITH 69637-01-000.
- 3. ALL PIPE AND FITTINGS TO BE ASSEMBLED WITH SOLVENT 4020-01-000.
- 2. SLOPE OF TRAP MUST BE 6 PER 300 MINIMUM.
- 1. SLOPE OF HORIZONTAL PIPING TO BE 6 PER 300 MINIMUM.

NOTES:

SUPPORT ASM-HOLDING TANK  
 131297-01-CHT  
 SCREW  
 G39-08-08B (4)

21 WASHER/DRYER-WITHOUT  
 54E WASHER/DRYER

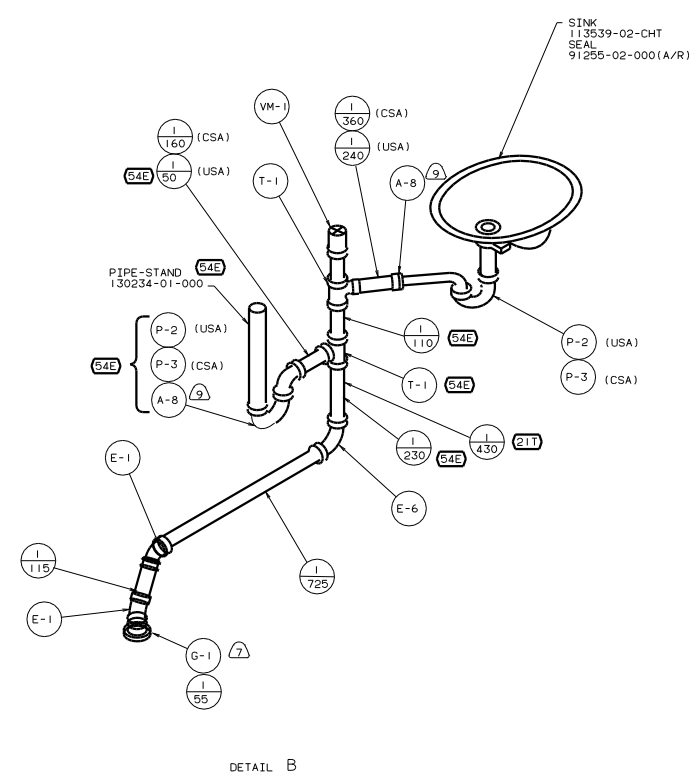
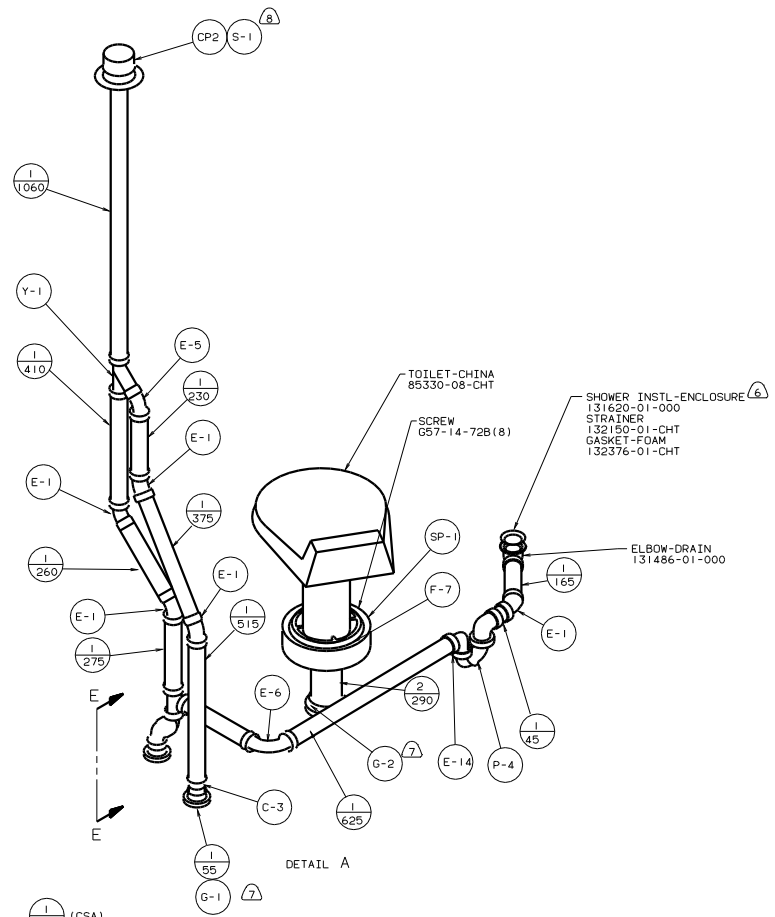


FOR DRAINAGE CALLOUTS SEE DWG NO. 116229-01-000

DATE		UNSPECIFIED TOLERANCES ARE:		MATERIAL	
DATE	DATE	WHOLE DIM (IN)	FRACTION		
DATE	DATE	ONE-PLACE (IN)	FRACTION		
DATE	DATE	TWO-PLACE (IN)	FRACTION		
DATE	DATE	THREE-PLACE (IN)	FRACTION		
DATE	DATE	FOUR-PLACE (IN)	FRACTION		
DATE	DATE	FIVE-PLACE (IN)	FRACTION		
DATE	DATE	SIX-PLACE (IN)	FRACTION		
DATE	DATE	SEVEN-PLACE (IN)	FRACTION		
DATE	DATE	EIGHT-PLACE (IN)	FRACTION		
DATE	DATE	NINE-PLACE (IN)	FRACTION		
DATE	DATE	TEN-PLACE (IN)	FRACTION		
DATE	DATE	ELEVEN-PLACE (IN)	FRACTION		
DATE	DATE	TWELVE-PLACE (IN)	FRACTION		
DATE	DATE	THIRTEEN-PLACE (IN)	FRACTION		
DATE	DATE	FOURTEEN-PLACE (IN)	FRACTION		
DATE	DATE	FIFTEEN-PLACE (IN)	FRACTION		
DATE	DATE	SIXTEEN-PLACE (IN)	FRACTION		
DATE	DATE	SEVENTEEN-PLACE (IN)	FRACTION		
DATE	DATE	EIGHTEEN-PLACE (IN)	FRACTION		
DATE	DATE	NINETEEN-PLACE (IN)	FRACTION		
DATE	DATE	TWENTY-PLACE (IN)	FRACTION		
DATE	DATE	TWENTY-ONE-PLACE (IN)	FRACTION		
DATE	DATE	TWENTY-TWO-PLACE (IN)	FRACTION		
DATE	DATE	TWENTY-THREE-PLACE (IN)	FRACTION		
DATE	DATE	TWENTY-FOUR-PLACE (IN)	FRACTION		
DATE	DATE	TWENTY-FIVE-PLACE (IN)	FRACTION		
DATE	DATE	TWENTY-SIX-PLACE (IN)	FRACTION		
DATE	DATE	TWENTY-SEVEN-PLACE (IN)	FRACTION		
DATE	DATE	TWENTY-EIGHT-PLACE (IN)	FRACTION		
DATE	DATE	TWENTY-NINE-PLACE (IN)	FRACTION		
DATE	DATE	THIRTY-PLACE (IN)	FRACTION		
DATE	DATE	THIRTY-ONE-PLACE (IN)	FRACTION		
DATE	DATE	THIRTY-TWO-PLACE (IN)	FRACTION		
DATE	DATE	THIRTY-THREE-PLACE (IN)	FRACTION		
DATE	DATE	THIRTY-FOUR-PLACE (IN)	FRACTION		
DATE	DATE	THIRTY-FIVE-PLACE (IN)	FRACTION		
DATE	DATE	THIRTY-SIX-PLACE (IN)	FRACTION		
DATE	DATE	THIRTY-SEVEN-PLACE (IN)	FRACTION		
DATE	DATE	THIRTY-EIGHT-PLACE (IN)	FRACTION		
DATE	DATE	THIRTY-NINE-PLACE (IN)	FRACTION		
DATE	DATE	FOURTY-PLACE (IN)	FRACTION		
DATE	DATE	FOURTY-ONE-PLACE (IN)	FRACTION		
DATE	DATE	FOURTY-TWO-PLACE (IN)	FRACTION		
DATE	DATE	FOURTY-THREE-PLACE (IN)	FRACTION		
DATE	DATE	FOURTY-FOUR-PLACE (IN)	FRACTION		
DATE	DATE	FOURTY-FIVE-PLACE (IN)	FRACTION		
DATE	DATE	FOURTY-SIX-PLACE (IN)	FRACTION		
DATE	DATE	FOURTY-SEVEN-PLACE (IN)	FRACTION		
DATE	DATE	FOURTY-EIGHT-PLACE (IN)	FRACTION		
DATE	DATE	FOURTY-NINE-PLACE (IN)	FRACTION		
DATE	DATE	FIFTY-PLACE (IN)	FRACTION		
DATE	DATE	FIFTY-ONE-PLACE (IN)	FRACTION		
DATE	DATE	FIFTY-TWO-PLACE (IN)	FRACTION		
DATE	DATE	FIFTY-THREE-PLACE (IN)	FRACTION		
DATE	DATE	FIFTY-FOUR-PLACE (IN)	FRACTION		
DATE	DATE	FIFTY-FIVE-PLACE (IN)	FRACTION		
DATE	DATE	FIFTY-SIX-PLACE (IN)	FRACTION		
DATE	DATE	FIFTY-SEVEN-PLACE (IN)	FRACTION		
DATE	DATE	FIFTY-EIGHT-PLACE (IN)	FRACTION		
DATE	DATE	FIFTY-NINE-PLACE (IN)	FRACTION		
DATE	DATE	SIXTY-PLACE (IN)	FRACTION		
DATE	DATE	SIXTY-ONE-PLACE (IN)	FRACTION		
DATE	DATE	SIXTY-TWO-PLACE (IN)	FRACTION		
DATE	DATE	SIXTY-THREE-PLACE (IN)	FRACTION		
DATE	DATE	SIXTY-FOUR-PLACE (IN)	FRACTION		
DATE	DATE	SIXTY-FIVE-PLACE (IN)	FRACTION		
DATE	DATE	SIXTY-SIX-PLACE (IN)	FRACTION		
DATE	DATE	SIXTY-SEVEN-PLACE (IN)	FRACTION		
DATE	DATE	SIXTY-EIGHT-PLACE (IN)	FRACTION		
DATE	DATE	SIXTY-NINE-PLACE (IN)	FRACTION		
DATE	DATE	SEVENTY-PLACE (IN)	FRACTION		
DATE	DATE	SEVENTY-ONE-PLACE (IN)	FRACTION		
DATE	DATE	SEVENTY-TWO-PLACE (IN)	FRACTION		
DATE	DATE	SEVENTY-THREE-PLACE (IN)	FRACTION		
DATE	DATE	SEVENTY-FOUR-PLACE (IN)	FRACTION		
DATE	DATE	SEVENTY-FIVE-PLACE (IN)	FRACTION		
DATE	DATE	SEVENTY-SIX-PLACE (IN)	FRACTION		
DATE	DATE	SEVENTY-SEVEN-PLACE (IN)	FRACTION		
DATE	DATE	SEVENTY-EIGHT-PLACE (IN)	FRACTION		
DATE	DATE	SEVENTY-NINE-PLACE (IN)	FRACTION		
DATE	DATE	EIGHTY-PLACE (IN)	FRACTION		
DATE	DATE	EIGHTY-ONE-PLACE (IN)	FRACTION		
DATE	DATE	EIGHTY-TWO-PLACE (IN)	FRACTION		
DATE	DATE	EIGHTY-THREE-PLACE (IN)	FRACTION		
DATE	DATE	EIGHTY-FOUR-PLACE (IN)	FRACTION		
DATE	DATE	EIGHTY-FIVE-PLACE (IN)	FRACTION		
DATE	DATE	EIGHTY-SIX-PLACE (IN)	FRACTION		
DATE	DATE	EIGHTY-SEVEN-PLACE (IN)	FRACTION		
DATE	DATE	EIGHTY-EIGHT-PLACE (IN)	FRACTION		
DATE	DATE	EIGHTY-NINE-PLACE (IN)	FRACTION		
DATE	DATE	NINETY-PLACE (IN)	FRACTION		
DATE	DATE	NINETY-ONE-PLACE (IN)	FRACTION		
DATE	DATE	NINETY-TWO-PLACE (IN)	FRACTION		
DATE	DATE	NINETY-THREE-PLACE (IN)	FRACTION		
DATE	DATE	NINETY-FOUR-PLACE (IN)	FRACTION		
DATE	DATE	NINETY-FIVE-PLACE (IN)	FRACTION		
DATE	DATE	NINETY-SIX-PLACE (IN)	FRACTION		
DATE	DATE	NINETY-SEVEN-PLACE (IN)	FRACTION		
DATE	DATE	NINETY-EIGHT-PLACE (IN)	FRACTION		
DATE	DATE	NINETY-NINE-PLACE (IN)	FRACTION		
DATE	DATE	HUNDRED-PLACE (IN)	FRACTION		

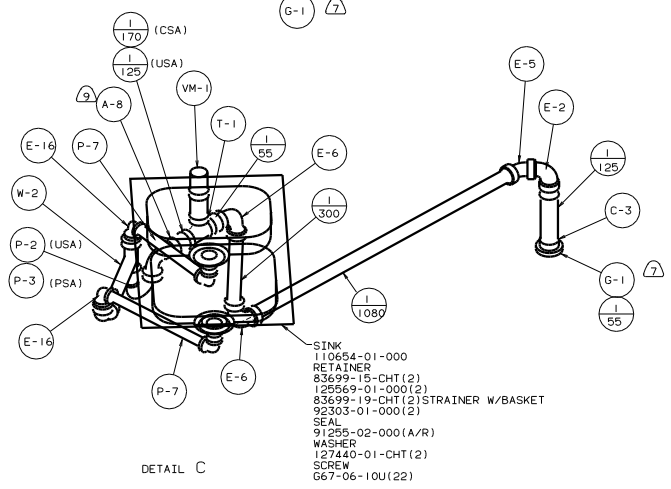
WINNIEGAGO 99 Q36C

DRAINAGE SYSTEM INSTL

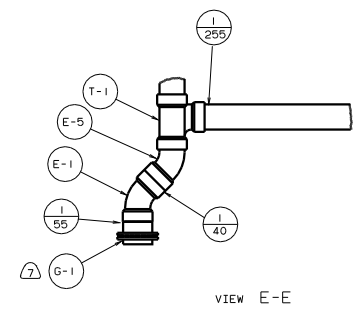


DETAIL A

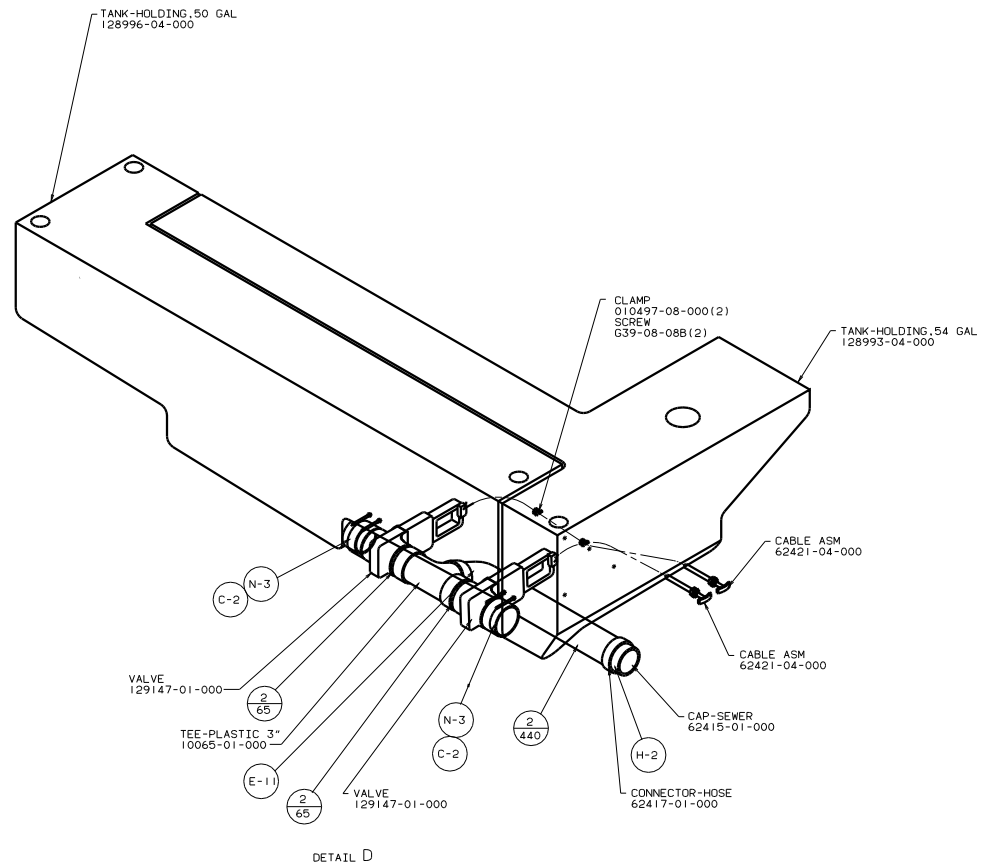
DETAIL B



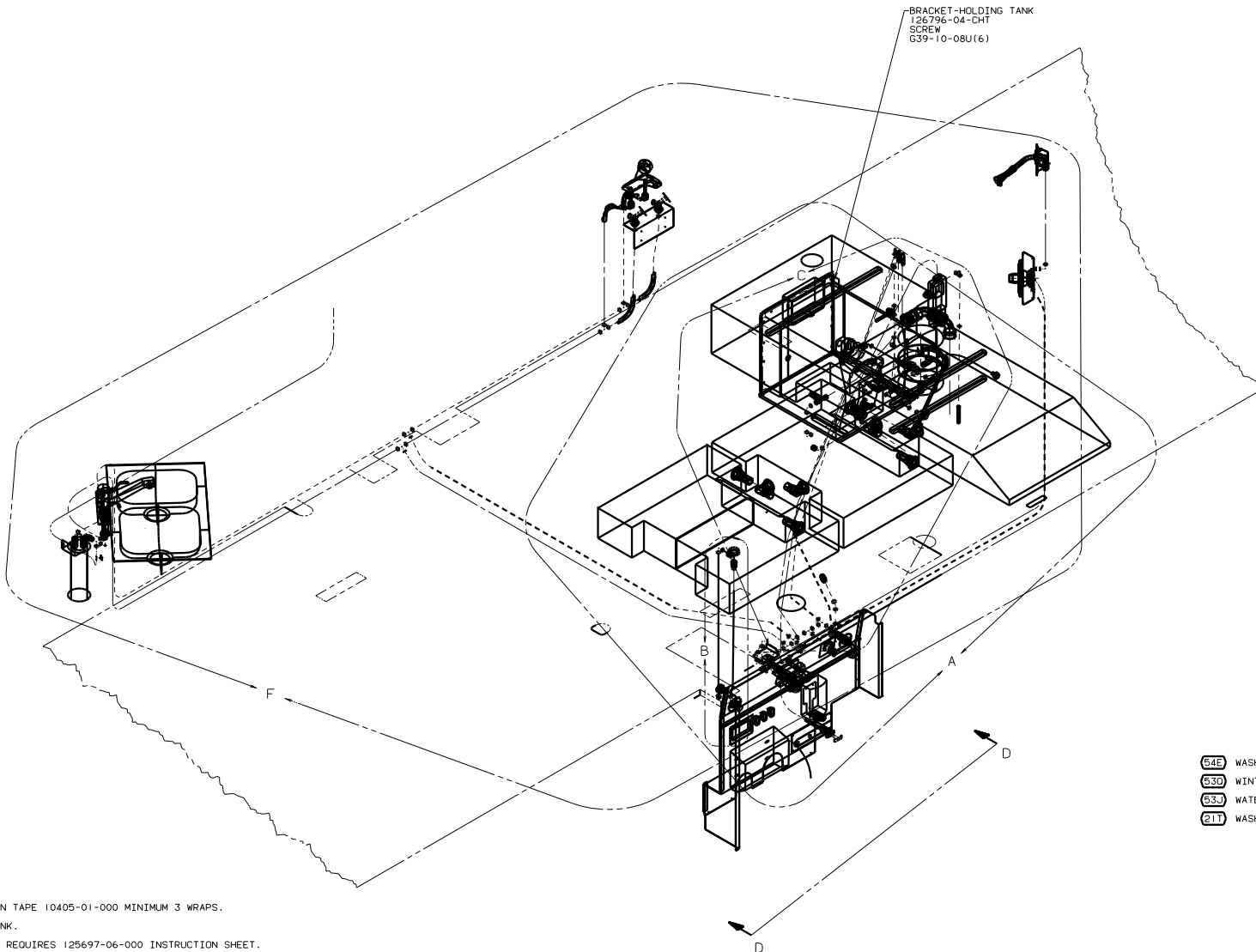
DETAIL C



VIEW E-E



DETAIL D



BRACKET-HOLDING TANK  
 126796-04-CHT  
 SCREW  
 G39-10-08U(6)

- 64E WASHER/DRYER
- 630 WINTERIZING KIT
- 63J WATER HEATER BY-PASS-VALVE
- 61T WASHER/DRYER-WITHOUT

LEGEND	
HOT	-----
COLD	-----

- NOTES:
- WRAP WITH TEFLON TAPE 10405-01-000 MINIMUM 3 WRAPS.
  - INSTALL WITH TANK.
  - FLUSHING SYSTEM REQUIRES 125697-06-000 INSTRUCTION SHEET.
  - USE DETAIL "Q" IN THIS AREA (BOTH ENDS OF TUBING).
3. ALL TUBING TO BE SECURED AT 1200 INTERVALS MAXIMUM WITH CLAMP 10495-01-000 OR CLIP 91951-01-000 AND SCREW G67-10-12B.
2. TUBING TO BE INSTALLED WITH SUFFICIENT SLOPE TO PROVIDE DRAINAGE TO NEAREST VALVE.
1. PLASTIC FITTINGS TO BE SEALED WITH SEALANT 84456-01-000.

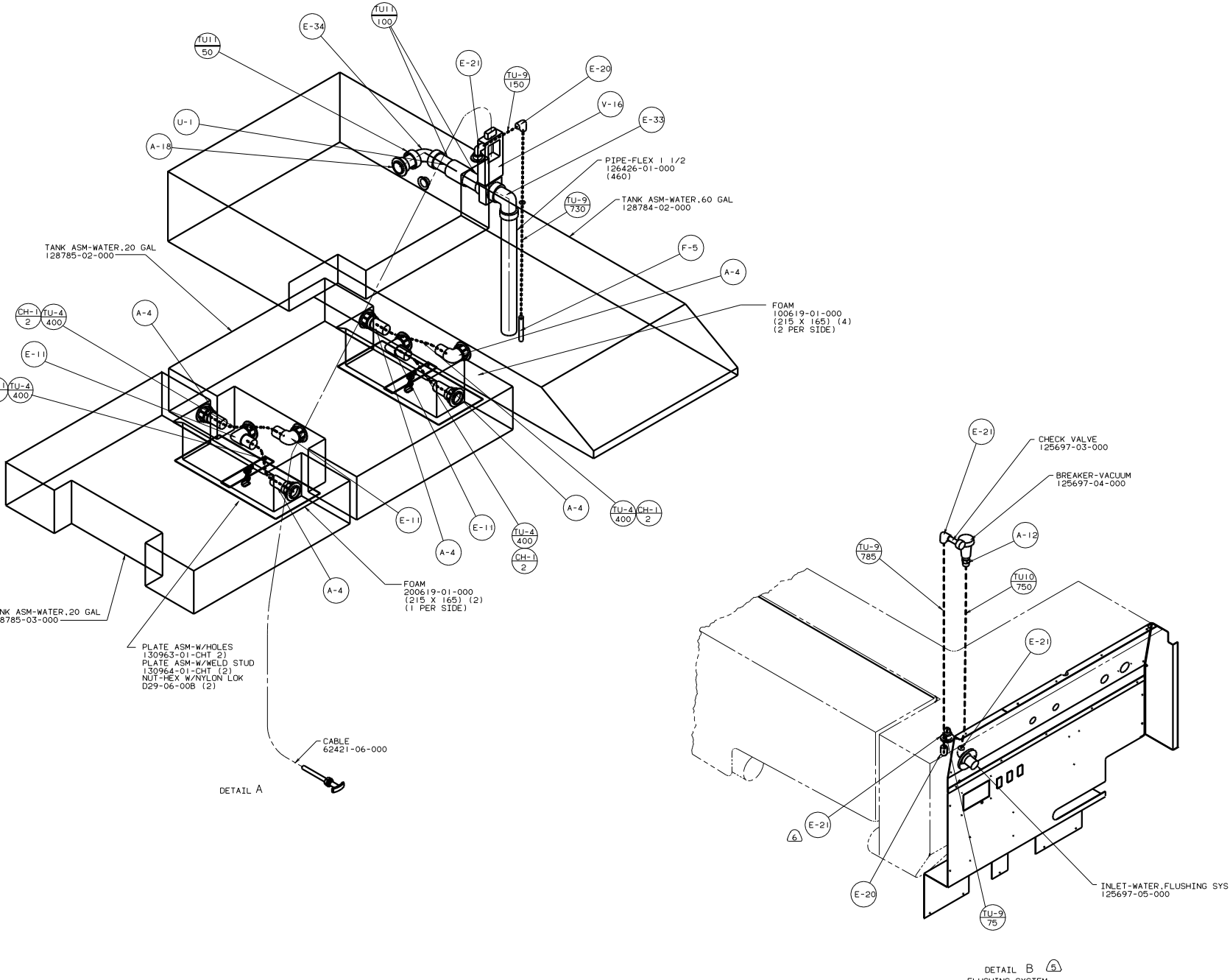
**WINNEBAGO** 99 036C

QTY IN	DATE	UNSPECIFIED TOLERANCES ARE:	MATERIAL
CHP	DATE	WHOLE DIM (IN)	F
DYE	DATE	ONE-PLACE (IN.XX)	.
D/E	DATE	TWO-PLACE (IN.XXX)	..
DATE	DATE	THIRD PLACE (IN.XXXX)	...
DATE	DATE	THIRD PLACE PRODUCTION	

LAYOUT 036C TITLE WATER SYSTEM INSTL

SHEET 1 OF 5 REF: 129591 L I 131587

(X-X)  
 FOR WATER CALL-OUTS SEE DWG NO. 116230-01-000



TANK ASM-WATER, .20 GAL  
128785-02-000

PIPE-FLEX 1 1/2  
126426-01-000  
(460)

TANK ASM-WATER, .60 GAL  
128784-02-000

FOAM  
100619-01-000  
(215 X 165) (4)  
(2 PER SIDE)

TANK ASM-WATER, .20 GAL  
128785-03-000

FOAM  
200619-01-000  
(215 X 165) (2)  
(1 PER SIDE)

PLATE ASM-W/HOLES  
130963-01-CHT (2)  
PLATE ASM-W/WELD STUD  
130964-01-CHT (2)  
NUT-HEX W/NYLON LOK  
D29-06-00B (2)

CABLE  
62421-06-000

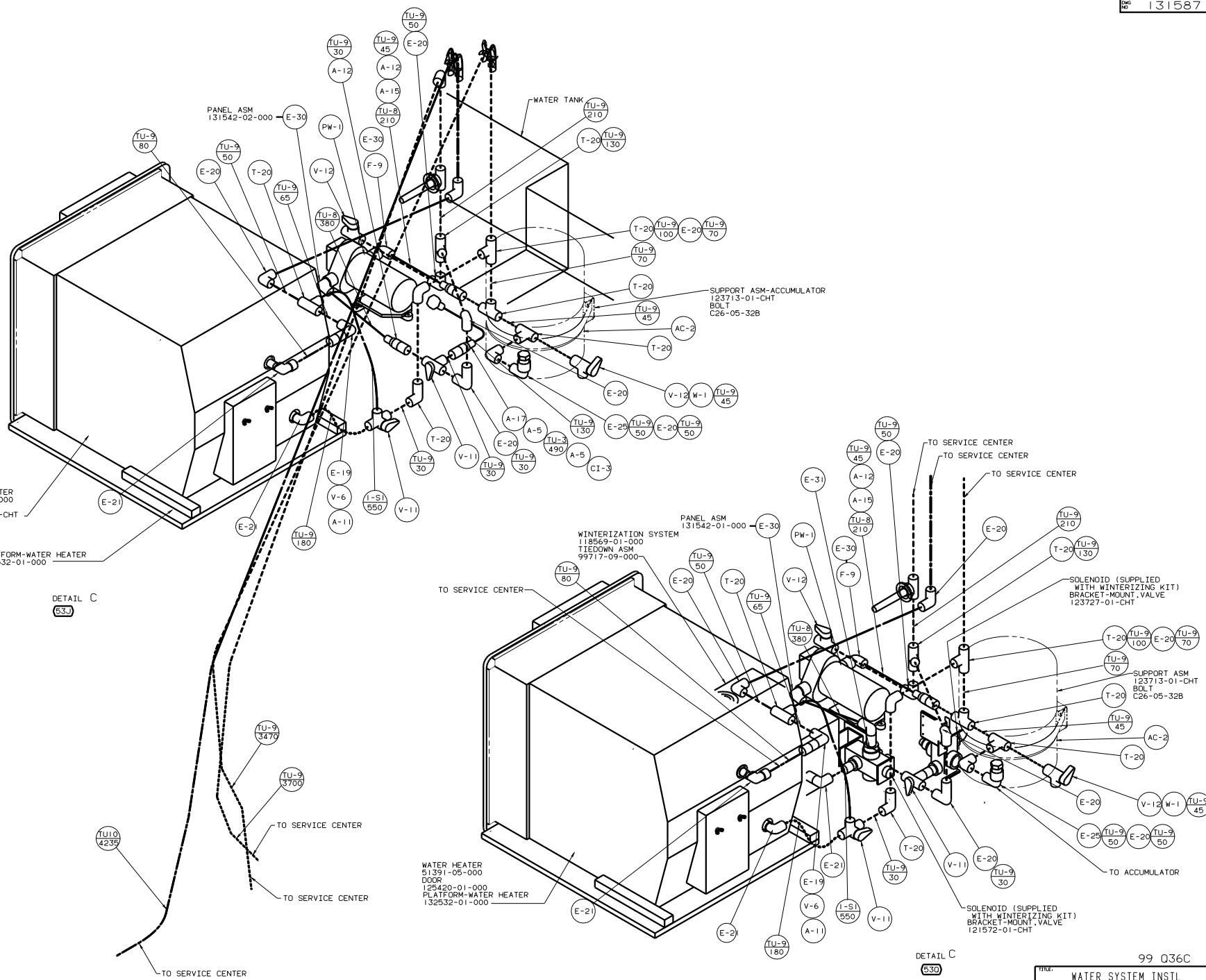
DETAIL A

CHECK VALVE  
125697-03-000

BREAKER-VACUUM  
125697-04-000

INLET-WATER, FLUSHING SYS  
125697-05-000

DETAIL B  
FLUSHING SYSTEM

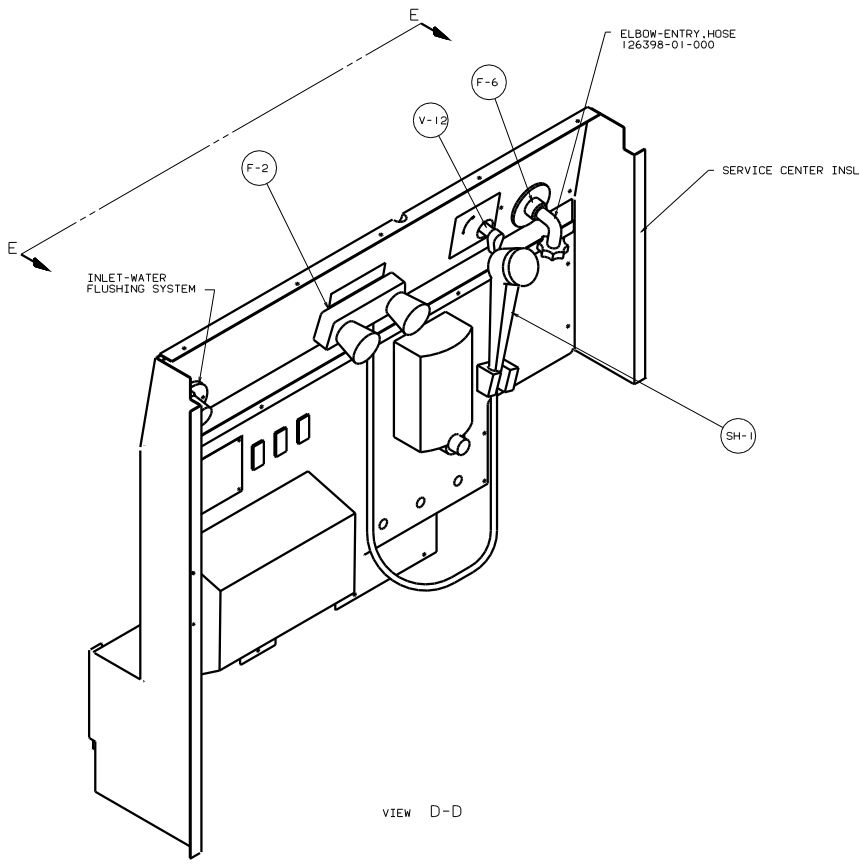


DETAIL C (53)

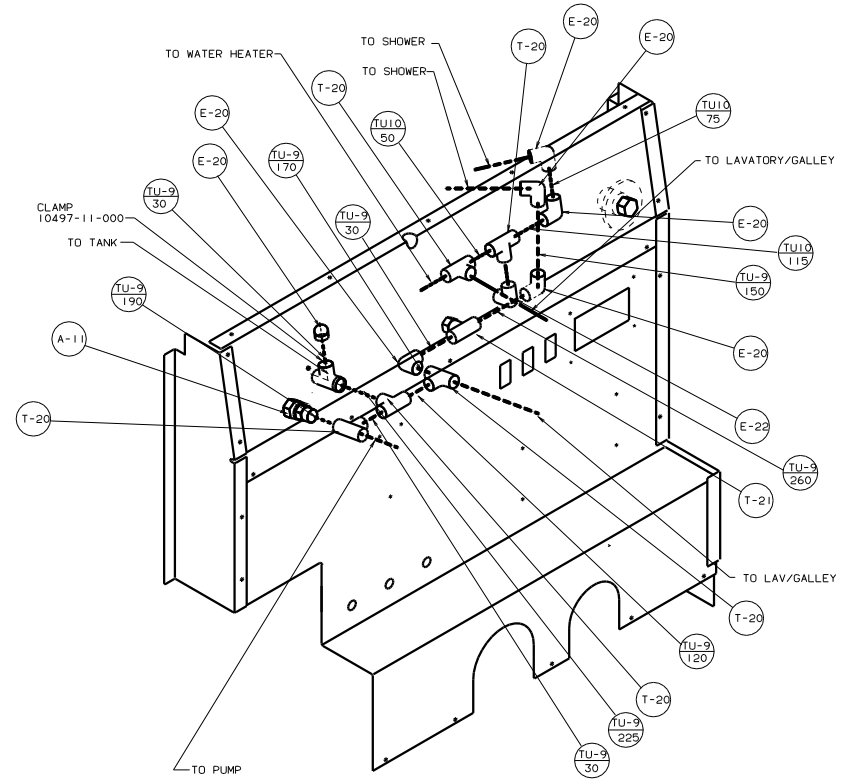
DETAIL C (53)

99 036C

TITLE	WATER SYSTEM INSTL	
NO. THIS SCALE SHEET	NO. OF SHEETS	DWG. NO.
3	5	131587

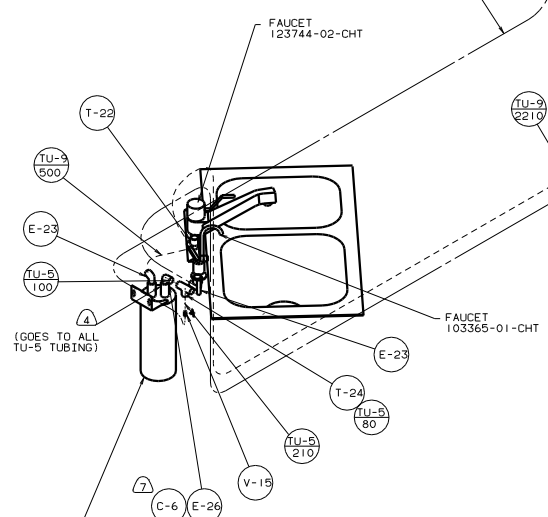
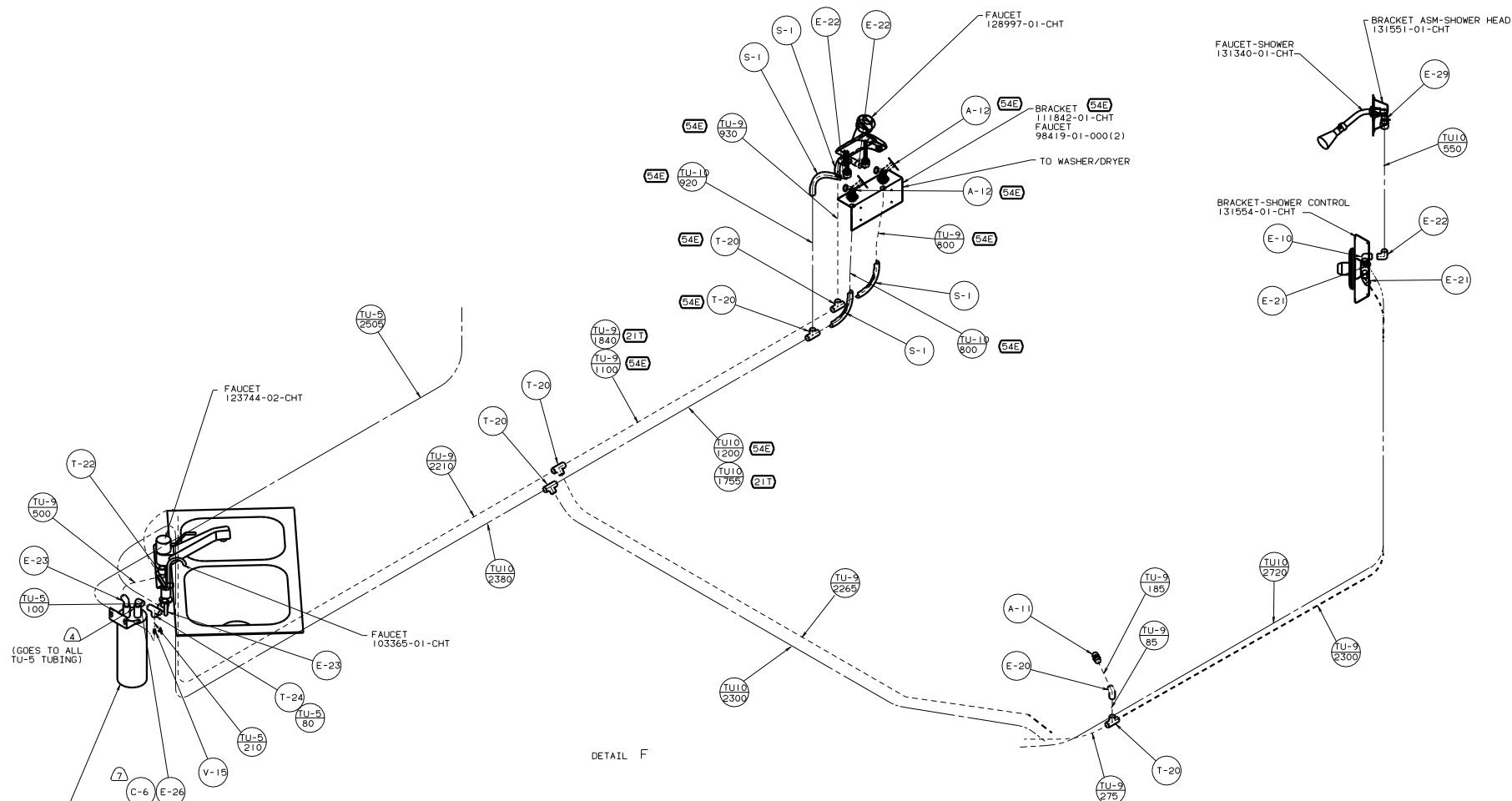


VIEW D-D



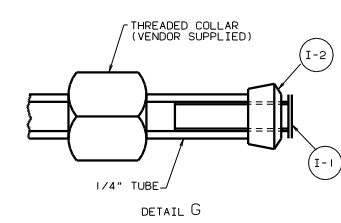
VIEW E-E

99 Q36C	
TITLE: WATER SYSTEM INSL	
NO. OF SHEETS	TOT. SHEETS
4 OF 5	16
131587	



FILTER  
87200-01-000  
CARTRIDGE  
87200-01-000  
SCREW  
667-10-12U (2)

(GOES TO ALL  
TU-5 TUBING)



99 Q36C	
TITLE: WATER SYSTEM INSTL	
NO. OF SHEETS: 5	SHEET NO: 5
DATE: 11/11/05	REV: 1
131587	