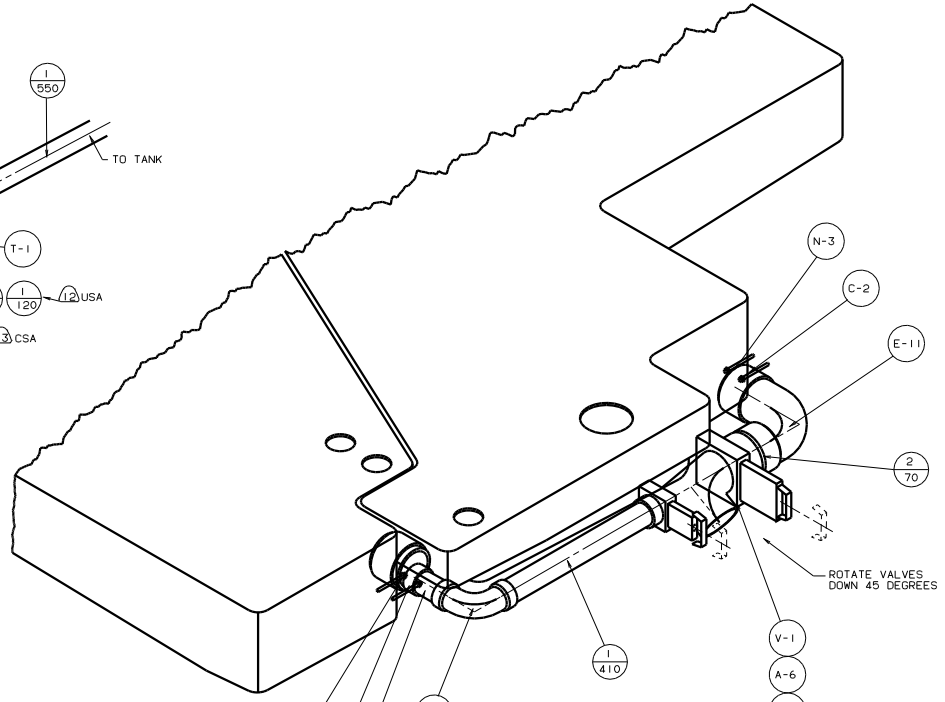
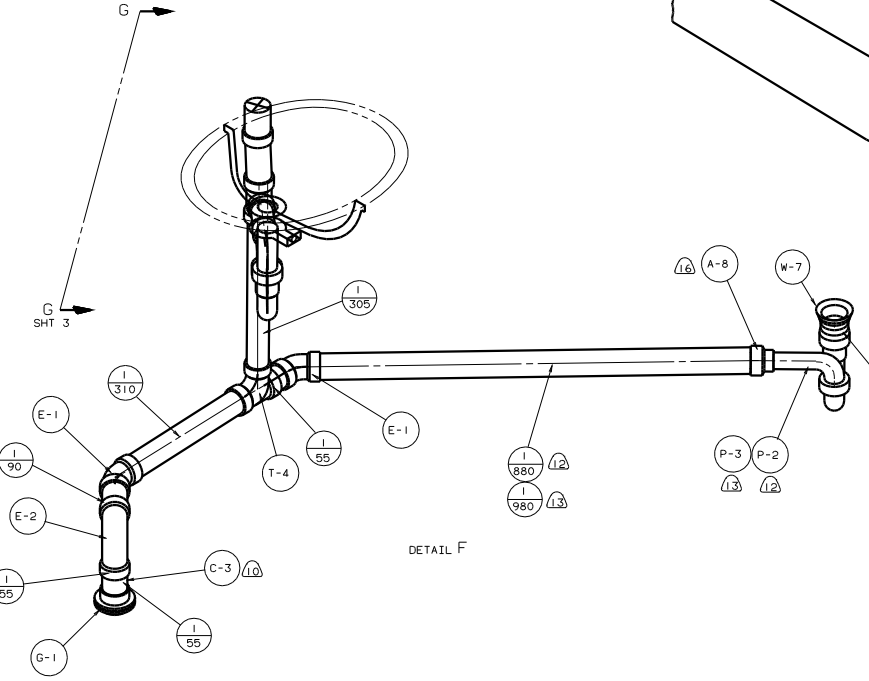


DETAIL D

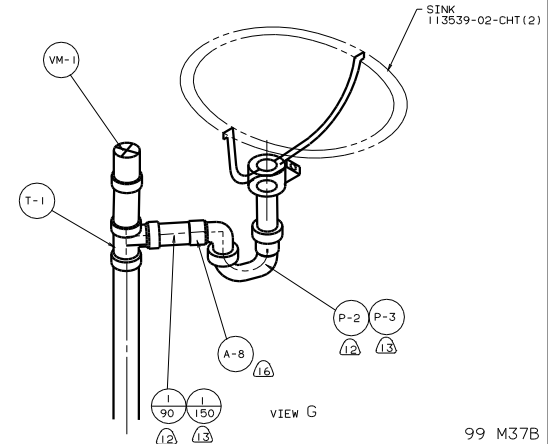


VIEW E-E

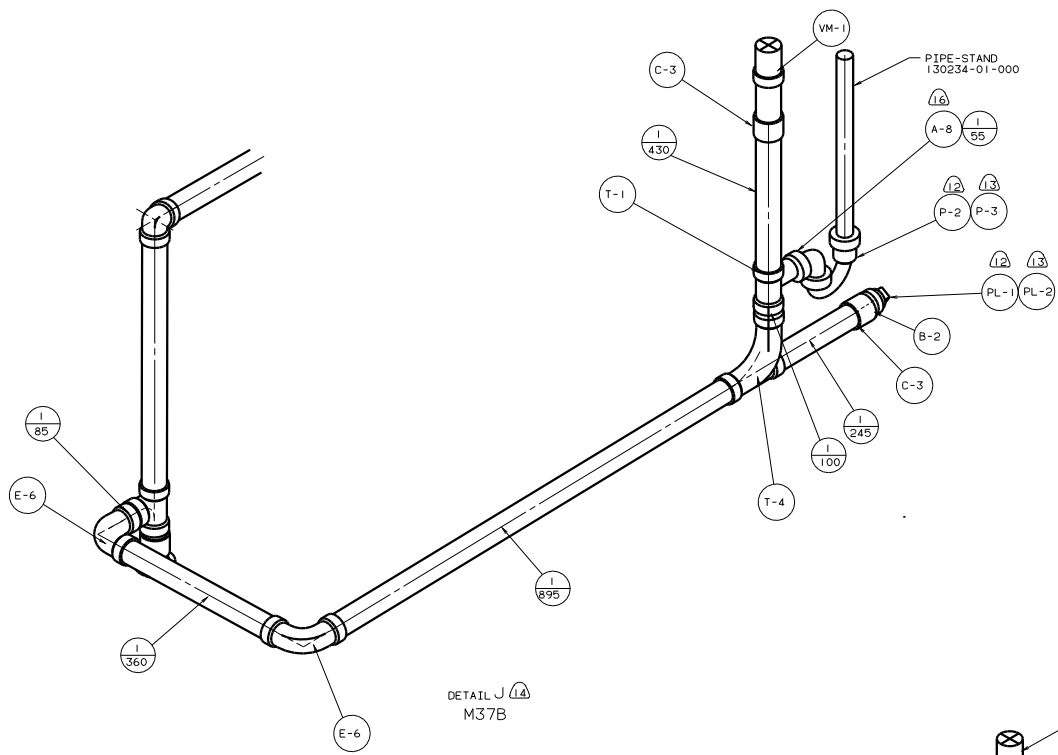


DETAIL F

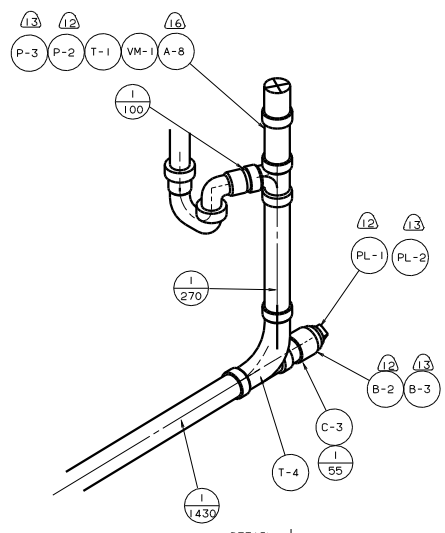
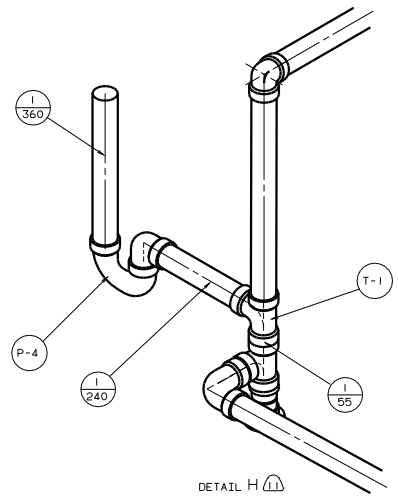
SHOWER INSTL-ENCLOSURE
127290-01-000
DRAIN
120981-01-000
NUT
130403-01-000
TAILPIECE
11069-06-000



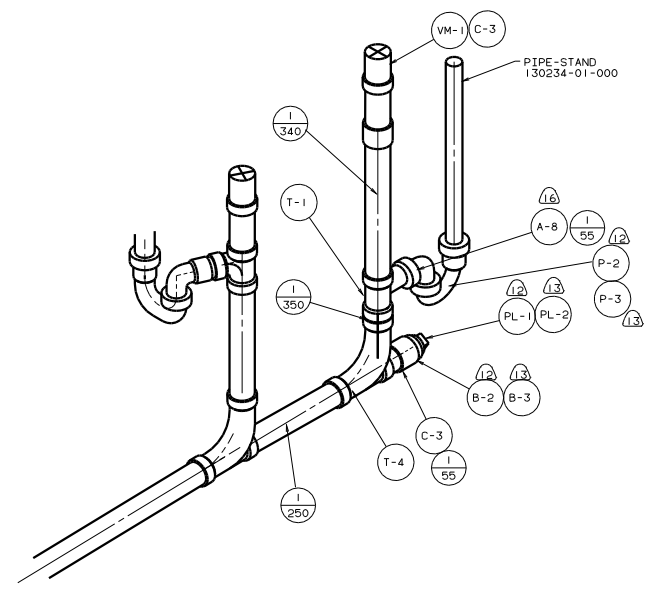
VIEW G



DETAIL J (14)
M37B



DETAIL J
(LAV. #2)
M39Y



DETAIL J
M39Y

STRAP
126413-02-CHT (2)
SCREW
G39-10-128 (8)

4724
PANEL-CLOSEOUT, WATER HTR
125028-04-CHT
RIVET
113133-01-CHT (2)
47

PLATFORM-HOLDING TANK
126714-05-000

BRACKET-SEAT
16604-01-000 (4)

TANK ASM-HOLDING
(SEE TAB)

TANK ASM-HOLDING
128561-02-000

PLATFORM-HOLDING TANK
126714-04-000

PLATFORM-HOLDING TANK
126714-07-000

BRACKET-TIEDOWN, WATER TANK
112628-04-CHT

187

PLATFORM-HOLDING TANK
126714-06-000

334

259

292

369

5

38

4046

54

5464

BRACKET-TIEDOWN, WATER TANK
112628-04-CHT

PLATFORM-HOLDING TANK
126714-15-000
PLYWOOD
860-51-864

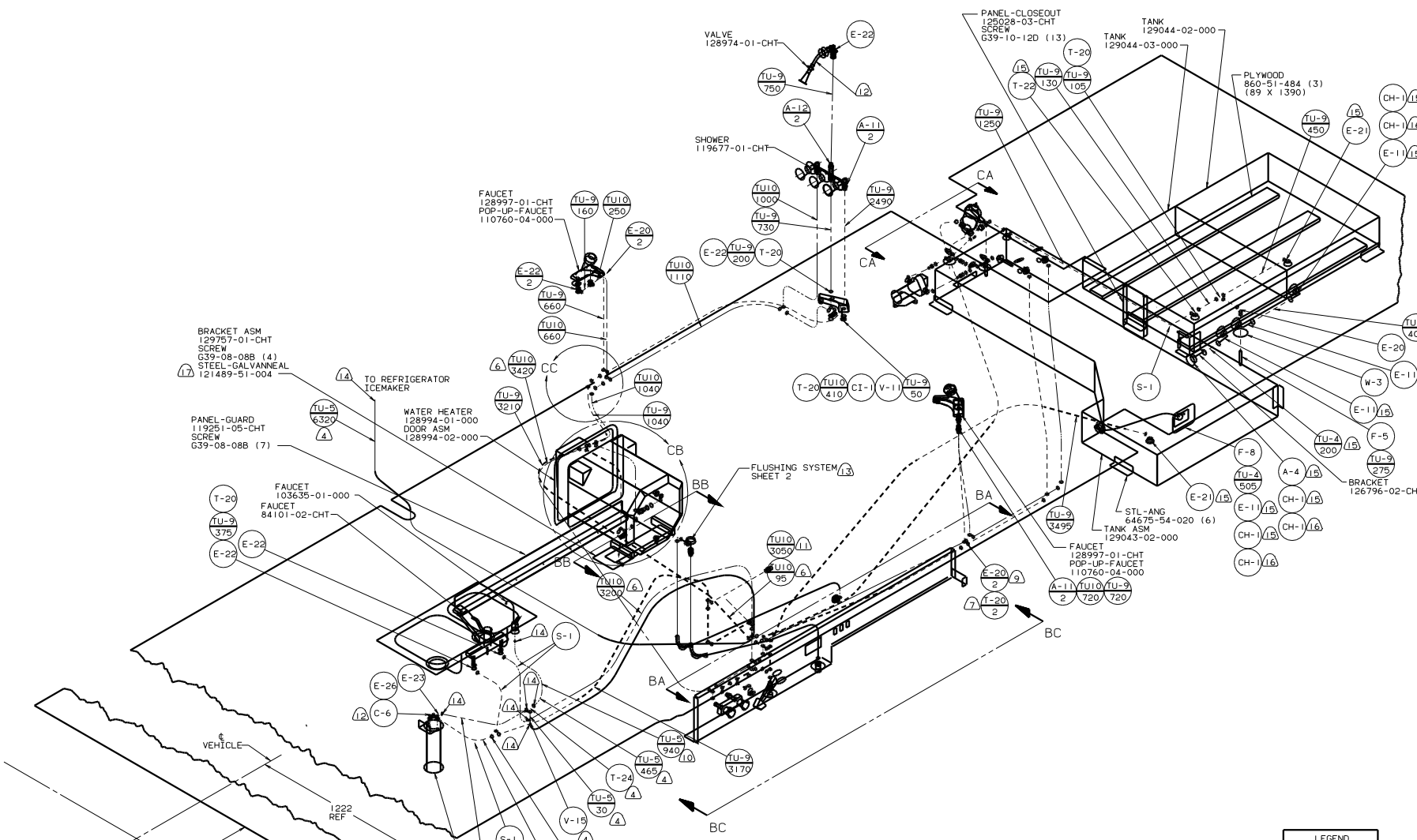
ANGLE ASM
131225-01-CHT (M37B)
131225-02-CHT (M39Y)
SCREW
G39-10-12B (6)

VIEW K-K

PLATFORM-HOLDING TANK
126714-16-000

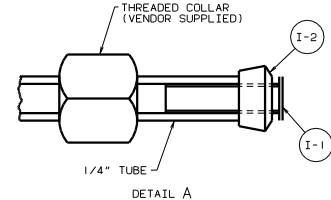
99 M37B

TITLE		DRAINAGE SYSTEM INSTL	
NO. OF SHEETS	TOTAL SHEETS	FIG. NO.	128483
5	5	1	



- (17) USE 119938-01-000 TO BOND TO COMPARTMENT.
- (16) INSTALL ON LINE.
- (15) INSTALL WITH TANK.
- (14) USE DETAIL "A" IN THIS AREA (BOTH ENDS OF TUBING).
- (13) FLUSHING SYSTEM REQUIRES 125697-06-000 INSTRUCTION SHEET.
- (12) WRAP WITH TEFLON TAPE 10405-01-000 MINIMUM THREE WRAPS.

3. ALL TUBING TO BE SECURED AT 1200 INTERVALS MAX WITH CLAMP 10495-01-000 OR CLIP 91951-01-000 AND SCREW G67-10-12B.
2. TUBING TO BE INSTALLED WITH SUFFICIENT SLOPE TO PROVIDE DRAINAGE TO NEAREST VALVE.
1. PLASTIC FITTINGS TO BE SEALED WITH SEALANT 84456-01-000.

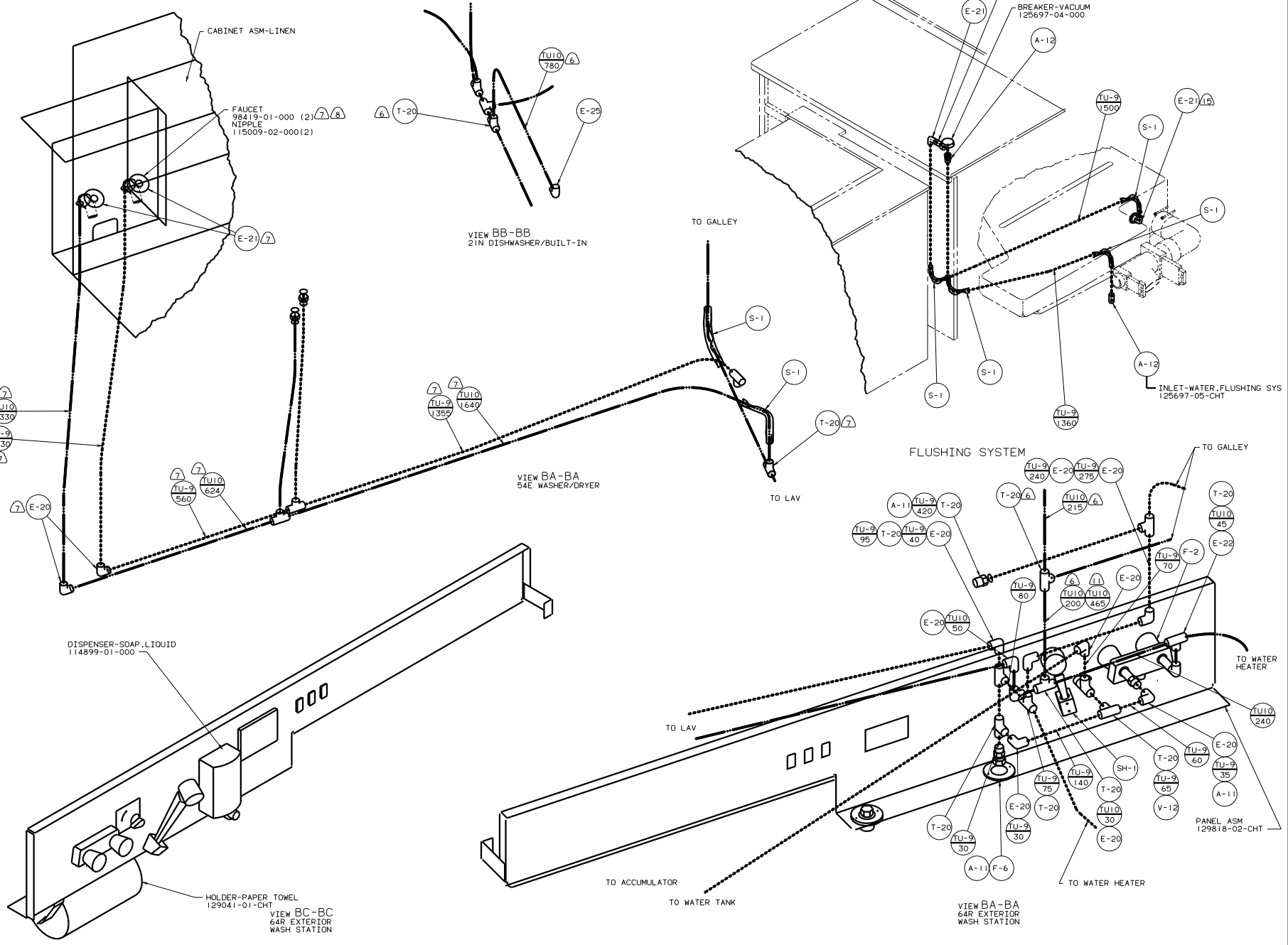


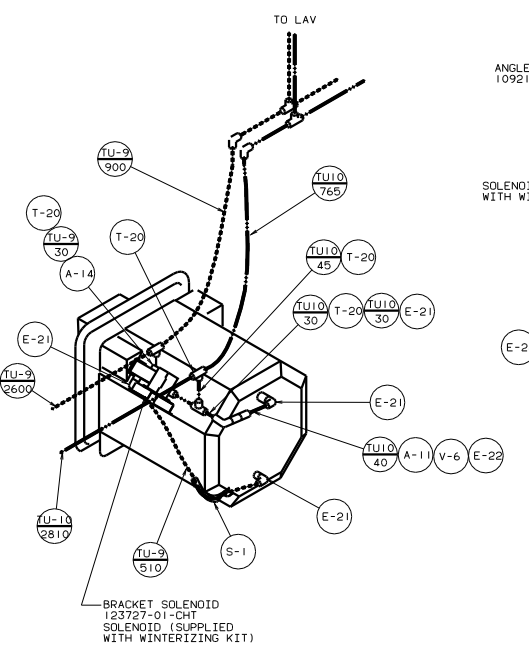
LEGEND	
HOT	-----
COLD	*****

(X-X)
 FOR WATER CALLOUTS SEE DWG NO. 116230-01-000

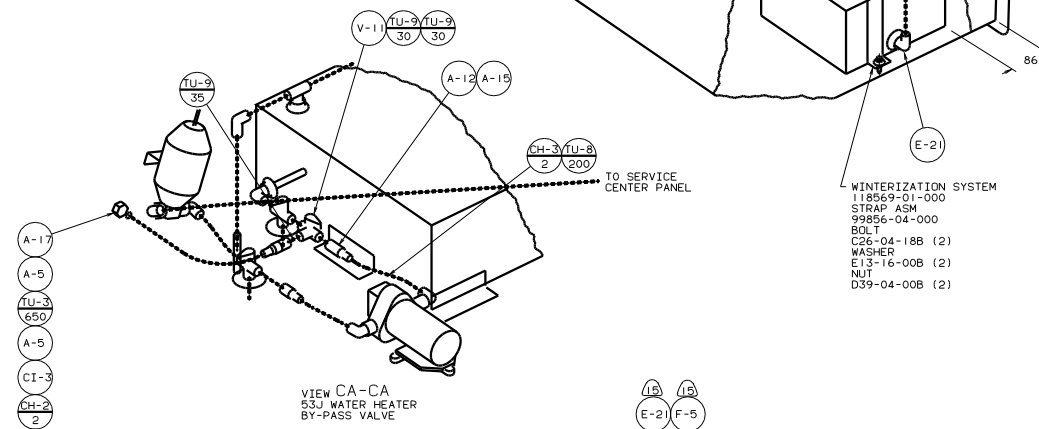
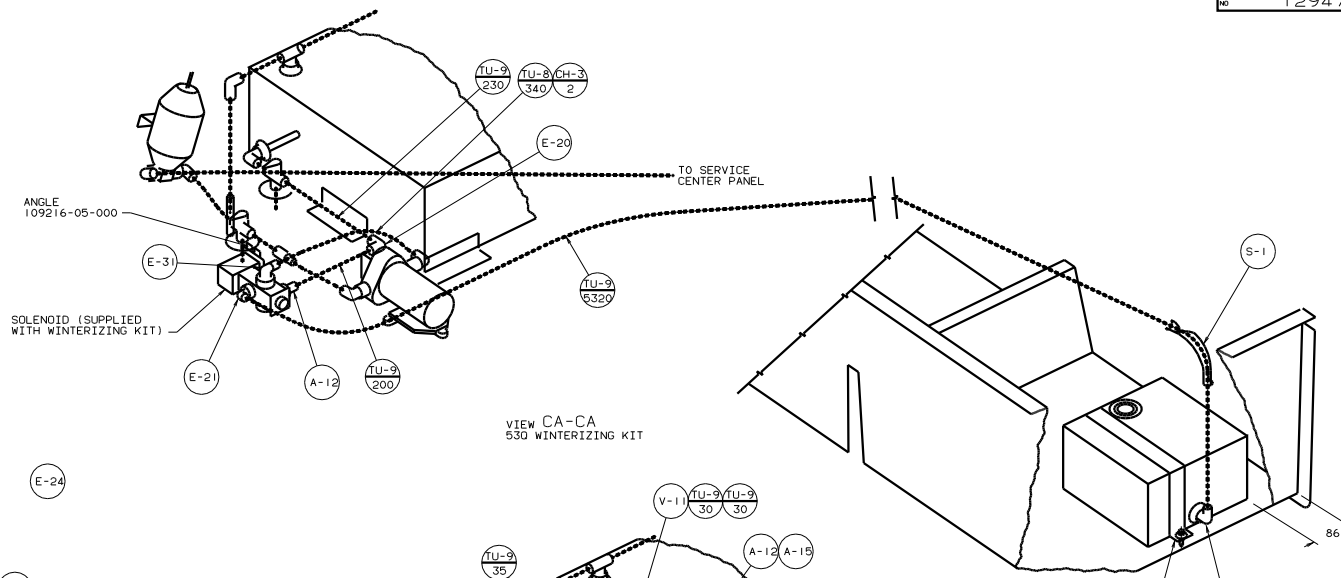
		99 M39Y
DATE	UNSPECIFIED TOLERANCES ARE:	MATERIAL
DATE	WHOLE DIM (IN.)	FRACTIONS
DATE	ONE-PLACE (IN.)	FRACTIONS
DATE	TWO-PLACE (IN.)	FRACTIONS
DATE	THREE-PLACE (IN.)	FRACTIONS
DATE	FOUR-PLACE (IN.)	FRACTIONS
DATE	PROJ. W/AVE	PRODUCTION
DATE	DATE	DATE
DATE	DATE	DATE

WATER SYSTEM INSTL
 SHEET 1 OF 3
 REF: 128482B
 129478

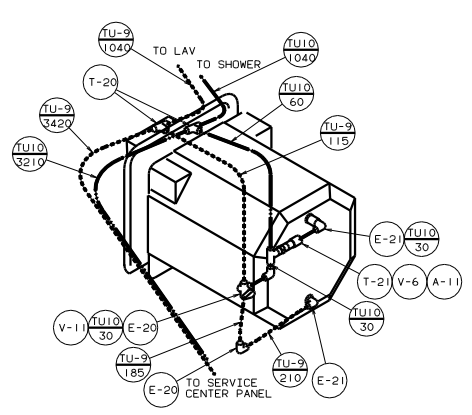




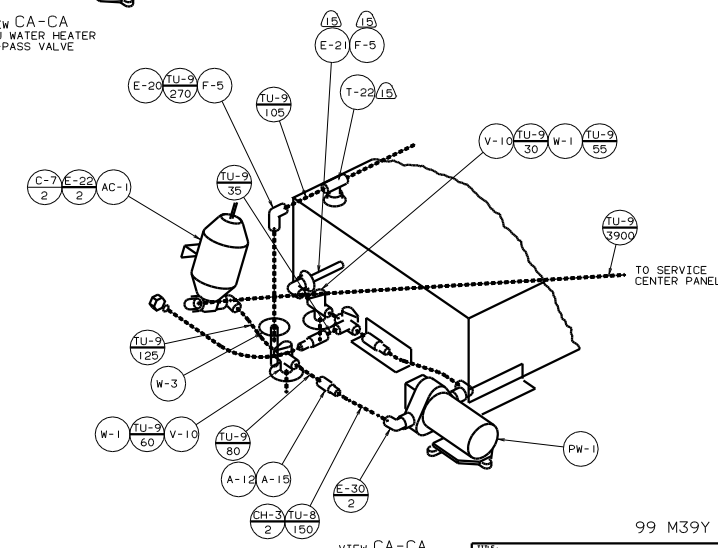
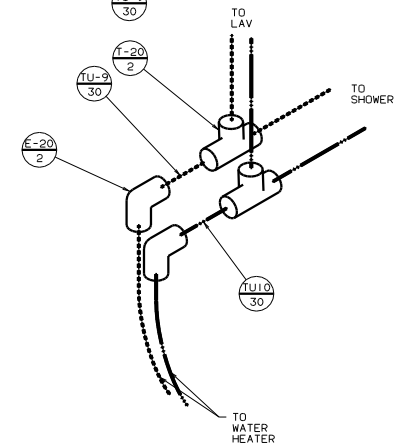
DETAIL CB
530 WINTERIZING KIT



- WINTERIZATION SYSTEM 118569-01-000
- STRAP ASM 99856-04-000
- BOLT C26-04-18B (2)
- WASHER E13-16-00B (2)
- NUT D39-04-00B (2)



DETAIL CB
WATER HEATER
(MANUAL WINTERIZATION)



VIEW CA-CA

TITLE: WATER SYSTEM INSTL	
30	1
SHEET 3 OF 3	129478