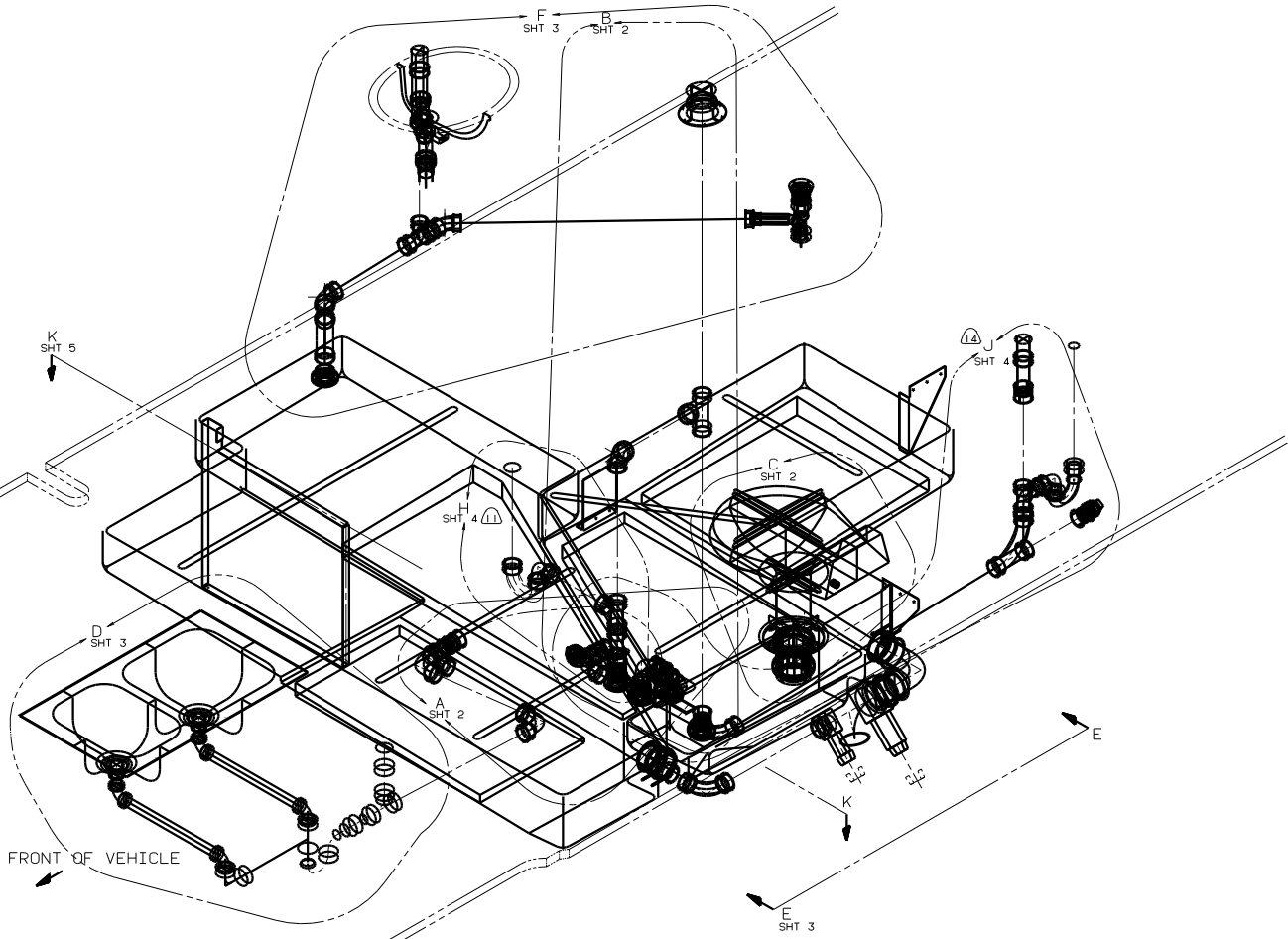


DWG NO	---	TANK ASM-HOLDING
128483-01	M37B	128562-02-000
128483-02	M39Y	128562-03-000

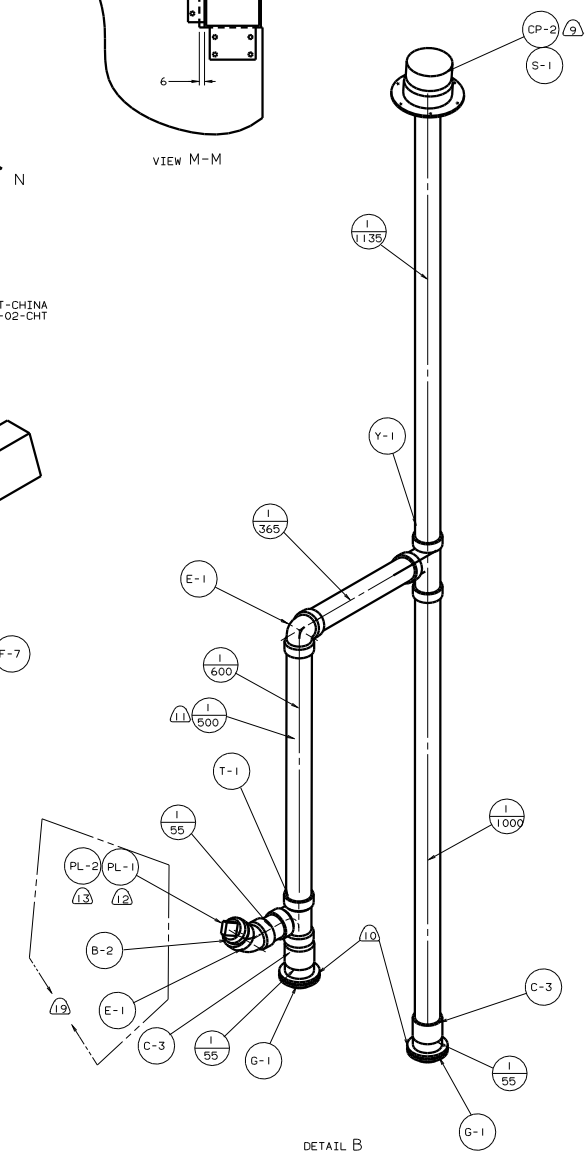
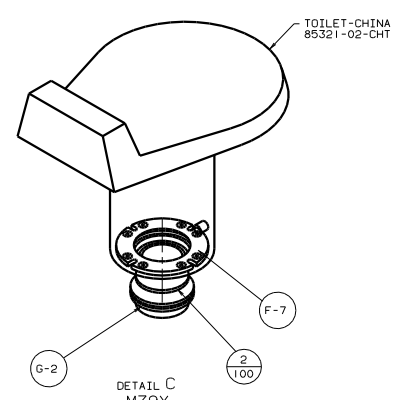
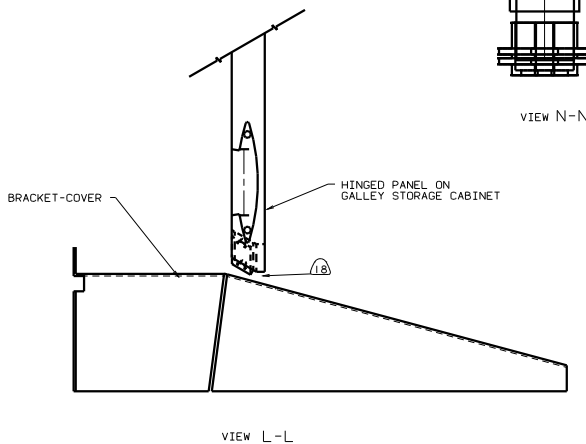
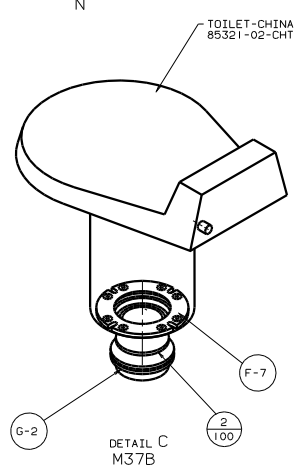
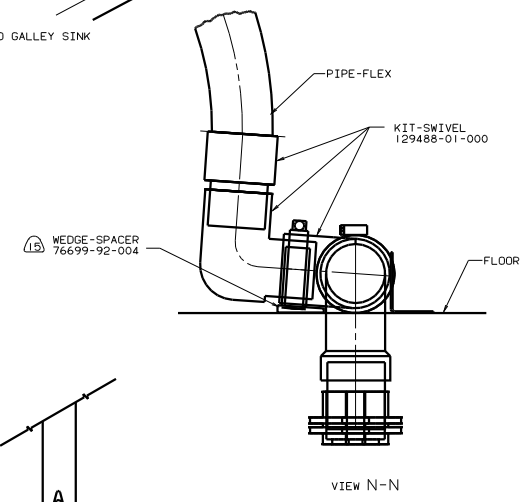
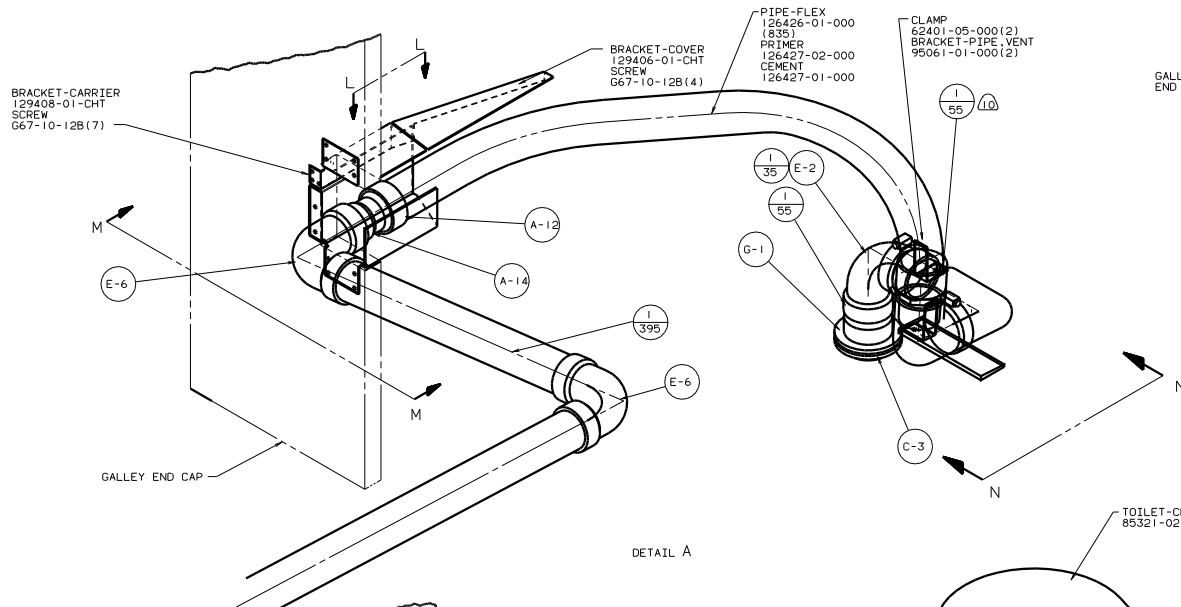


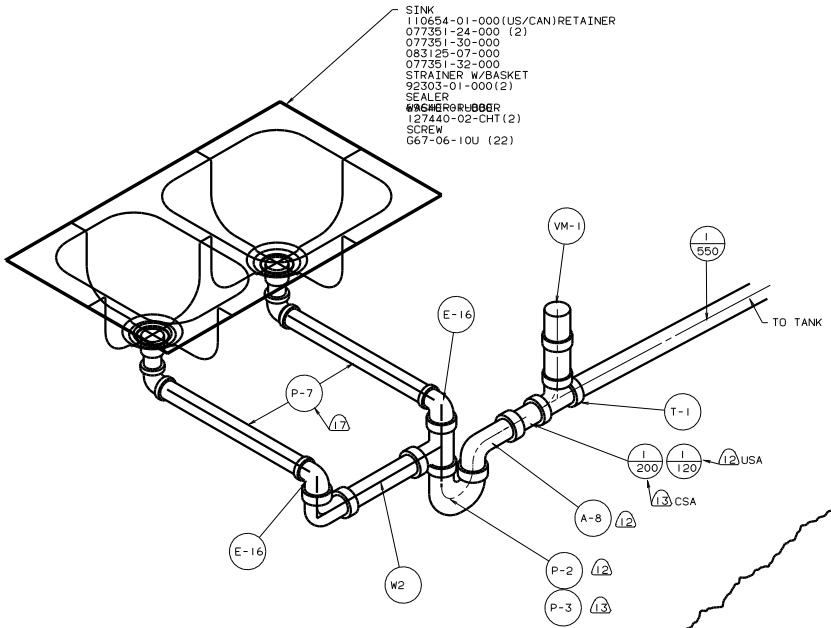
- 20 SECURE PIPES TO CABINET USING WIRE TIE 108046-02-000 AND SCREW G67-10-12U (8).
- 19 M37B ONLY.
- 18 POSITION AS SHOWN WITH SLIDEOUT IN FULLY EXTENDED POSITION.
- 17 TRIM TO FIT.
- 16 NOT USED WITH CANADIAN.
- 15 MUST BE INSTALLED TO MAINTAIN AN APPROXIMATE 4° ANGLE.
- 14 USE WITH 54E WASHER/DRYER COMBINATION.
- 13 USE WITH CANADIAN.
- 12 USE WITH US.
- 11 USE WITH 2IN DISHWASHER.
- 10 SECURE VENT TUBES TO FLOOR WITH BRACKET 95061-01-000 (2), CLAMP 62401-02-000, SCREW G67-10-12B(2).
- 9 VENT PIPE MUST PROJECT 51 MM MINIMUM AND 63.5 MM MAXIMUM ABOVE ROOF FOR PROPER FIT AND FUNCTION.
- 8. SEE DRAWING 61607-01-000 FOR INSTALLATION OF GROMMETS.
- 7. SEAL ALL AROUND SHOWER WITH SILICONE.
- 6. FOR CANADIAN UNITS EACH HOLDING TANK SHALL HAVE A CSA APPROVAL STAMPED NEAR THE TAMPO APPROVAL.
- 5. EXPOSED PIPE ABOVE ROOF TO BE PAINTED 37163-01-000.
- 4. ALL EXTERIOR OPENINGS AROUND PIPE TO BE SEALED WITH 69637-01-000.
- 3. ALL PIPE AND FITTINGS TO BE ASSEMBLED WITH SOLVENT 4020-01-000.
- 2. SLOPE OF TRAP ARM MUST BE 6 PER 305.
- 1. SLOPE OF HORIZONTAL PIPING TO BE 6 PER 305 MINIMUM.

NOTES:

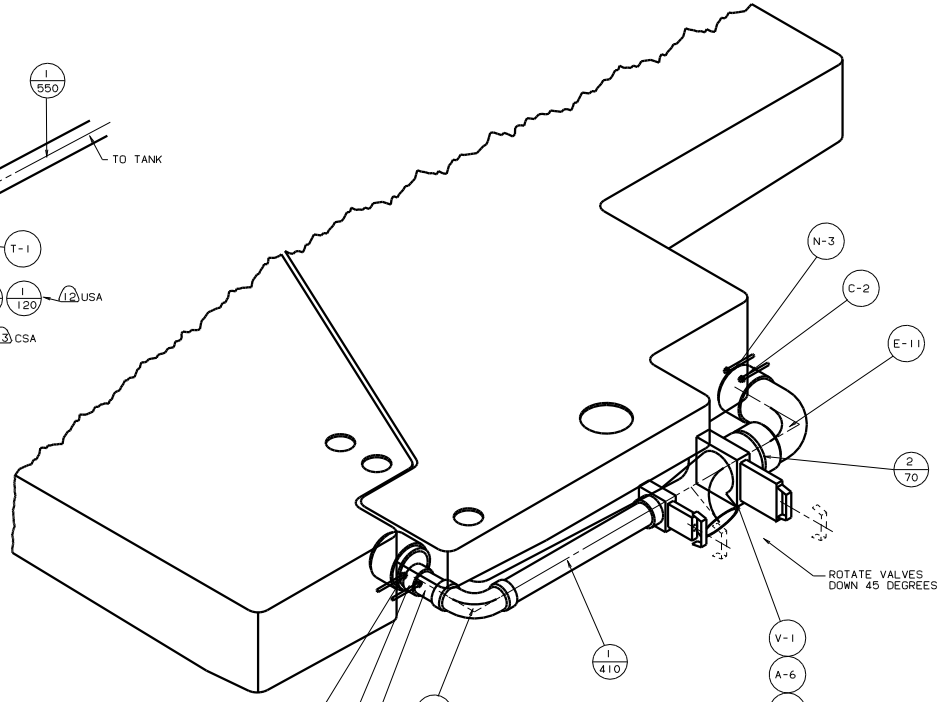
(X-X) FOR DRAINAGE CALLOUTS SEE DWG NO. 116229-01-000

WINNEBAGO		99 M37B
QTY	DATE	UNSPECIFIED TOLERANCES ARE:
CHP	DATE	WHOLE DIM (1:1) ± .5
PIE	DATE	ONE-PLACE (1:1) .1
D/E	DATE	TWO-PLACE (1:1) .01
CONP	DATE	THIRD WHOLE INCHES
LAINT	M37B	TITLE
REV	SCALE	NOTE
ALL DIMENSIONS ARE IN MILLIMETERS	SHEET 1 OF 5	DRAINAGE SYSTEM INSTL
		DWG NO 128483

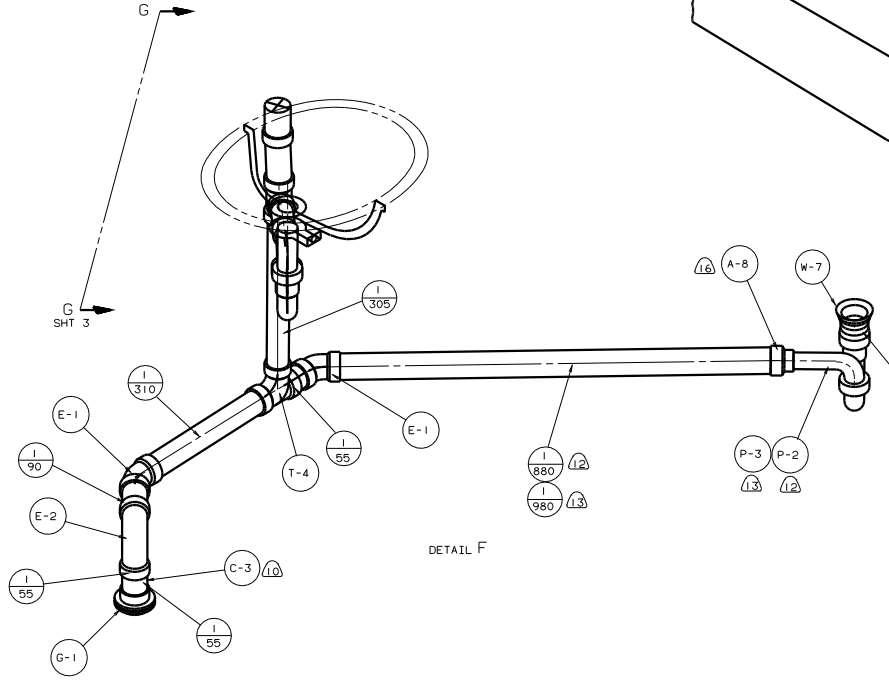




DETAIL D

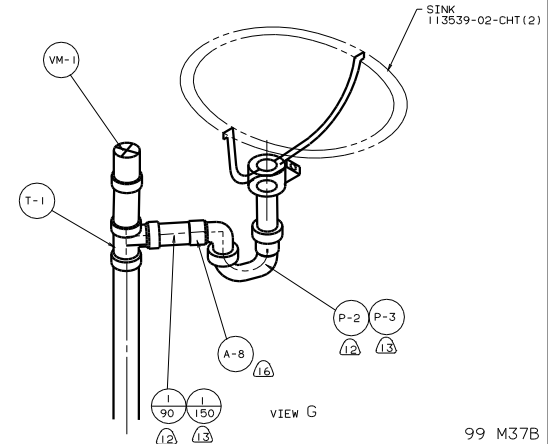


VIEW E-E

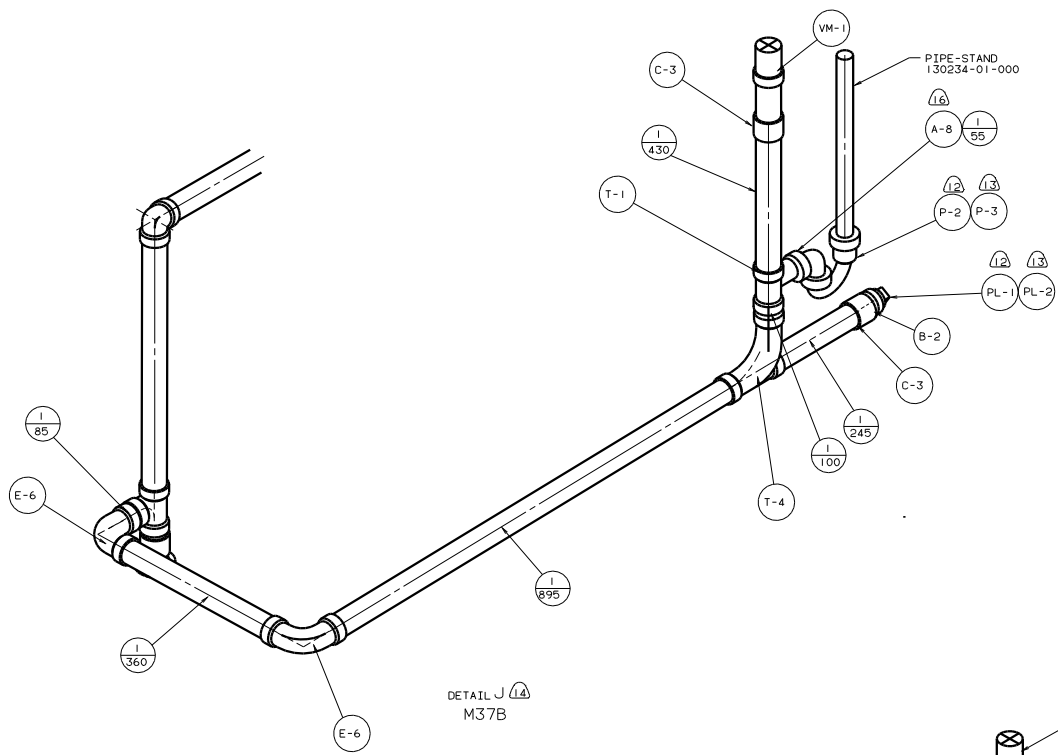


DETAIL F

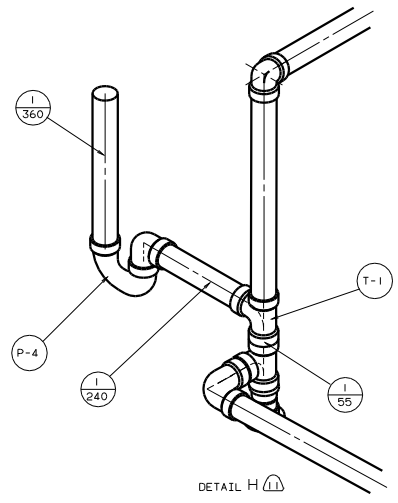
SHOWER INSTL-ENCLOSURE  
127290-01-000  
DRAIN  
120981-01-000  
NUT  
130403-01-000  
TAILPIECE  
11069-06-000



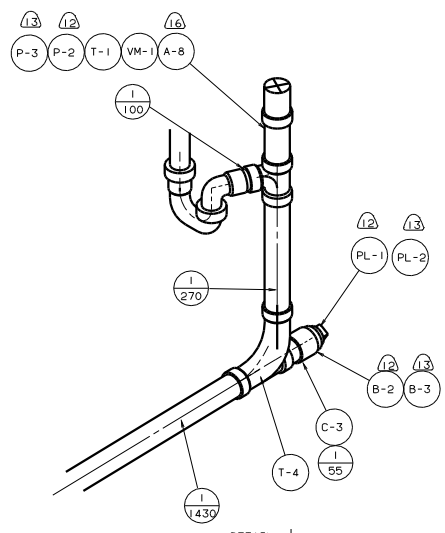
VIEW G



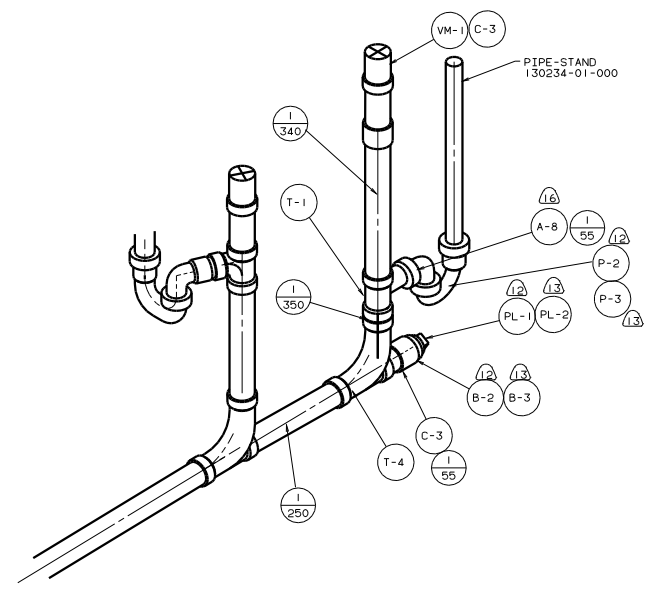
DETAIL J (14)  
M37B



DETAIL H (11)



DETAIL J  
(LAV. #2)  
M39Y



DETAIL J  
M39Y

STRAP  
126413-02-CHT (2)  
SCREW  
G39-10-128 (8)

4724  
PANEL-CLOSEOUT, WATER HTR  
125028-04-CHT  
RIVET  
113133-01-CHT (2)  
47

25  
225

PLATFORM-HOLDING TANK  
126714-05-000

BRACKET-SEAT  
16604-01-000 (4)

TANK ASM-HOLDING  
(SEE TAB)

TANK ASM-HOLDING  
128561-02-000

PLATFORM-HOLDING TANK  
126714-07-000

PLATFORM-HOLDING TANK  
126714-04-000

BRACKET-TIEDOWN, WATER TANK  
112628-04-CHT

187

PLATFORM-HOLDING TANK  
126714-06-000

334

259

292

369

4046

38

BRACKET-TIEDOWN, WATER TANK  
112628-04-CHT

54

PLATFORM-HOLDING TANK  
126714-15-000  
PLYWOOD  
860-51-864

ANGLE ASM  
131225-01-CHT (M37B)  
131225-02-CHT (M39Y)  
SCREW  
G39-10-12B (6)

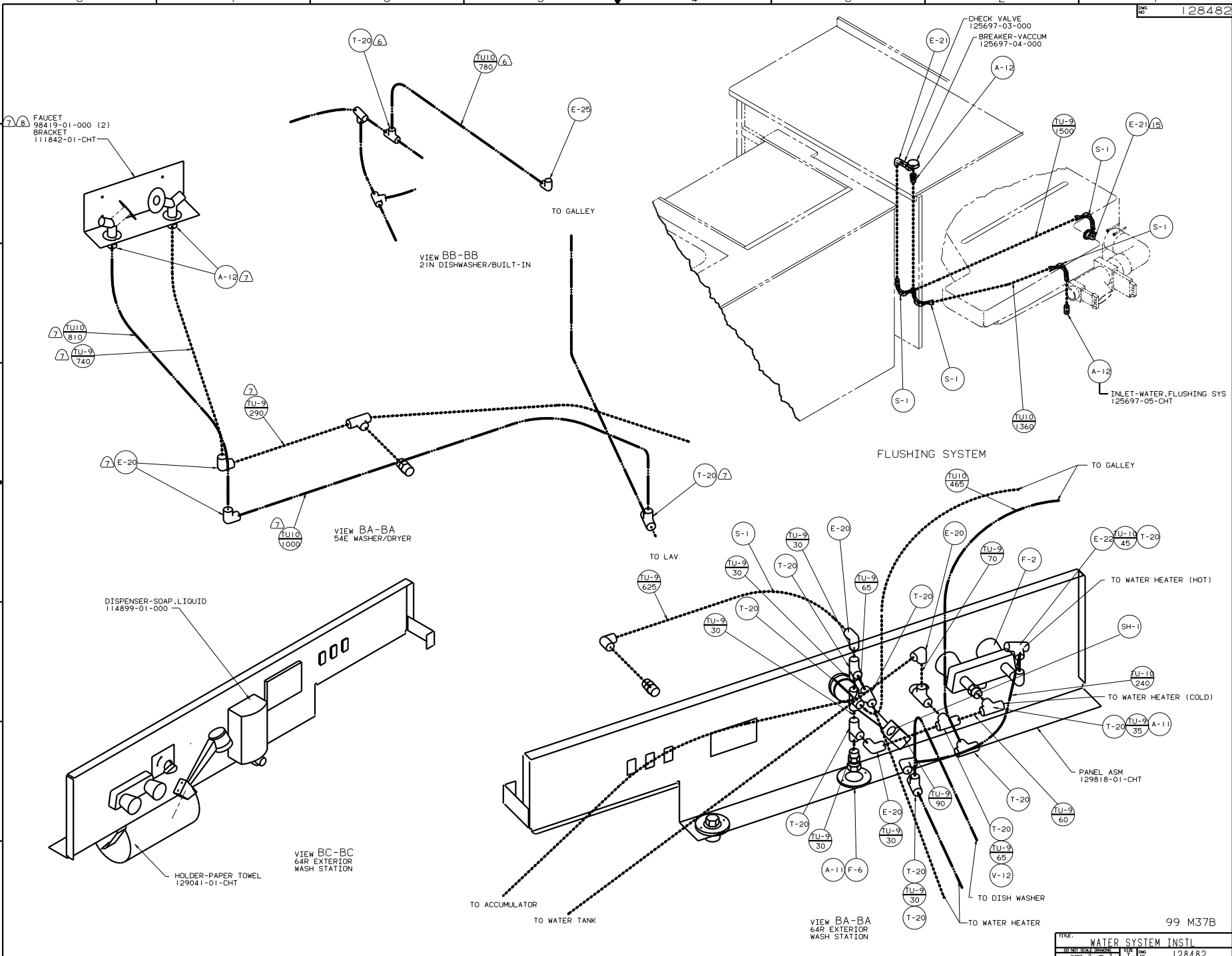
VIEW K-K

PLATFORM-HOLDING TANK  
126714-16-000

5464

TITLE		DRAWING NO.	
DRAINAGE SYSTEM INSTL		128483	
NO. OF SHEETS	TOTAL SHEETS	SHEET NO.	TOTAL SHEETS
5	5	5	5





7 8  
 FAUCET  
 98419-01-000 (2)  
 BRACKET  
 111842-01-CHT

A-12 7

TU-10 810  
 TU-9 740

TU-9 290

E-20 7

TU-10 1000

VIEW BA-BA  
 54E WASHER/DRYER

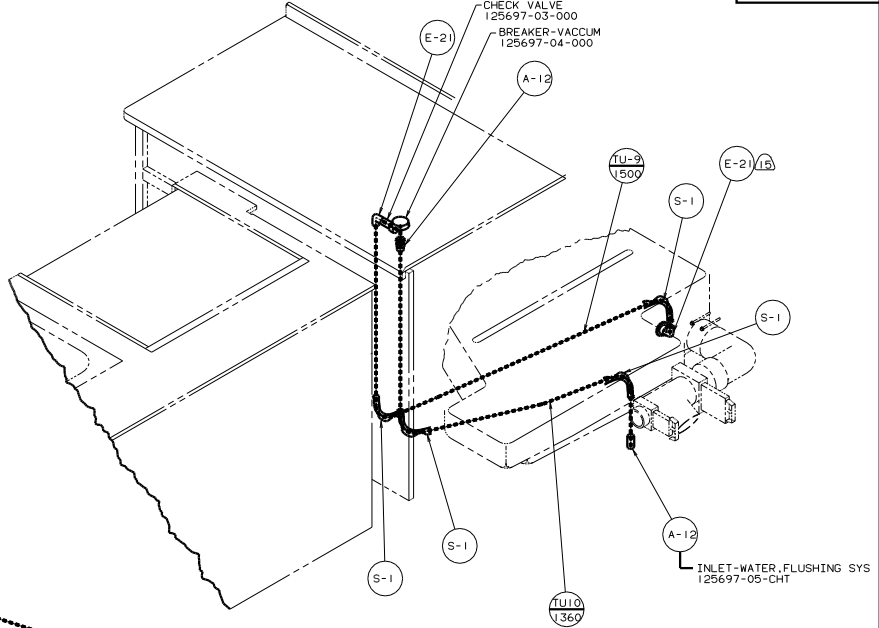
DISPENSER-SOAP, LIQUID  
 114899-01-000

HOLDER-PAPER TOWEL  
 129041-01-CHT

VIEW BC-BC  
 64R EXTERIOR  
 WASH STATION

TO GALLEY

VIEW BB-BB  
 2IN DISHWASHER/BUILT-IN



CHECK VALVE  
 125697-03-000  
 BREAKER-VACUUM  
 125697-04-000

INLET-WATER, FLUSHING SYS  
 125697-05-CHT

FLUSHING SYSTEM

TO GALLEY

TO LAV

TO WATER HEATER (HOT)

TO WATER HEATER (COLD)

TO ACCUMULATOR  
 TO WATER TANK

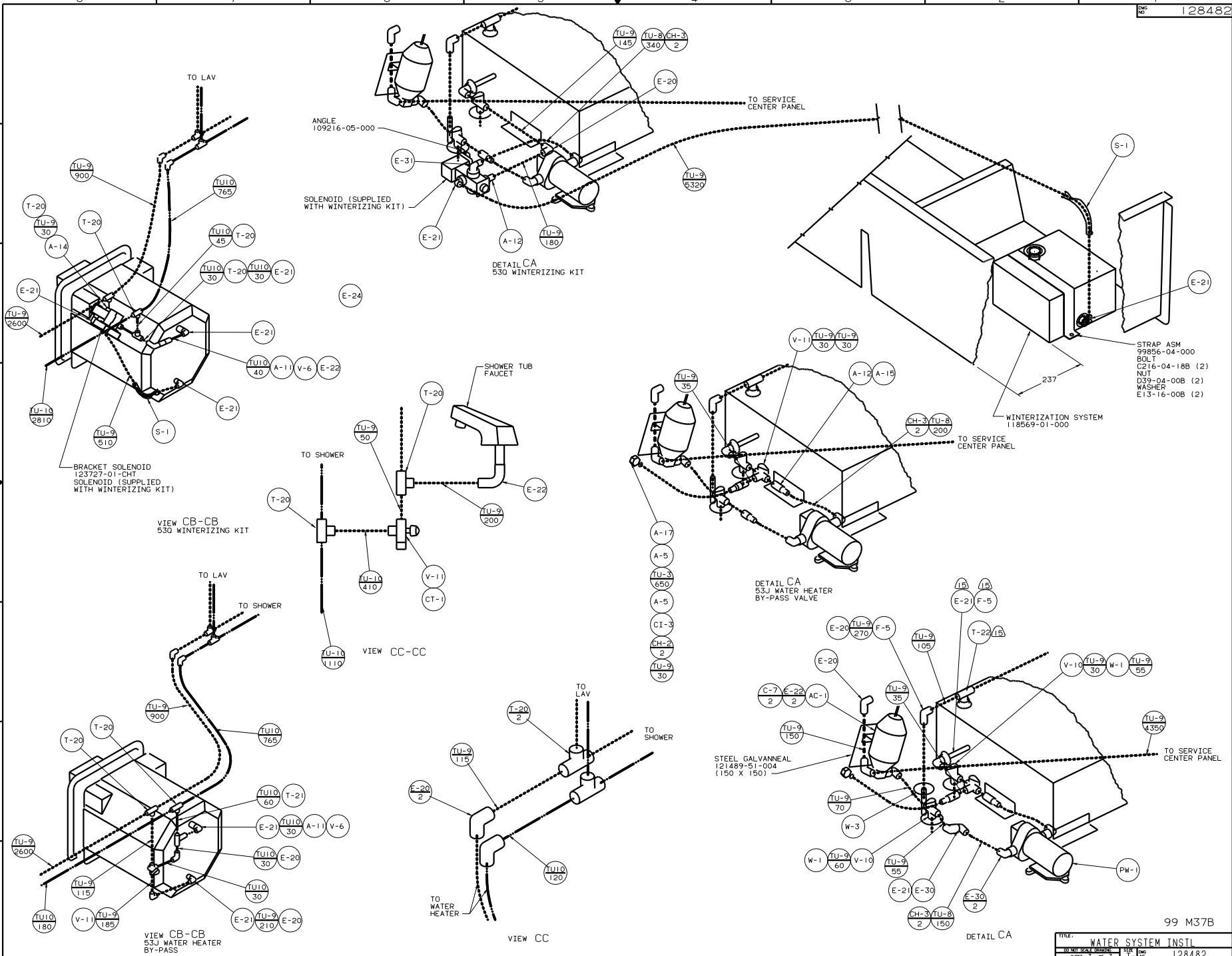
VIEW BA-BA  
 64R EXTERIOR  
 WASH STATION

TO DISH WASHER

PANEL ASM  
 129818-01-CHT

99 M37B

TITLE		WATER SYSTEM INSTL	
NO. OF SHEETS	3	SHEET NO.	2
DATE		BY	
DRAWN		128482	



99 M37B

TITLE		WATER SYSTEM INSTL	
NO. OF SHEETS	OF SHEETS	REV.	DATE
3	3	1	
DRAWN		CHECKED	
BY		BY	
DATE		DATE	