

- RETAINER 81828-01-CHT
- 83699-15-CHT(2)
- 83699-16-CHT
- 83699-19-CHT(3)
- SINK-SST, DOUBLE 110654-01-000(US/CAN)
- STRAINER 92303-01-000(2)
- SEAL 91255-02-000 (A/R)
- RETAINER 105497-02-000(6)
- SCREW G67-06-10U(22)
- WASHER-RUBBER 127440-02-CHT(2)

- SINK 105921-01-CHT
- SPACER 105218-01-CHT
- STRAINER 106116-01-CHT
- SEAL 91255-02-000 (A/R)

- CLAMP-HOSE 62401-05-000
- BRACKET-PIPE 95061-01-000(2)

- SHOWER INSTL-ENCLOSURE 127290-01-000
- DRAIN 120981-01-CHT
- 69610-01-000
- WASHER 127440-02-CHT
- TAILPIECE 11069-02-000
- NUT 130403-01-000

- LUMBER 942-00-100
- CABLE TIE 108946-01-000

- PLYWOOD 860-51-282 (270 X 270)

- CLAMP-HOSE 62401-05-000
- BRACKET-PIPE 95061-01-000(2)

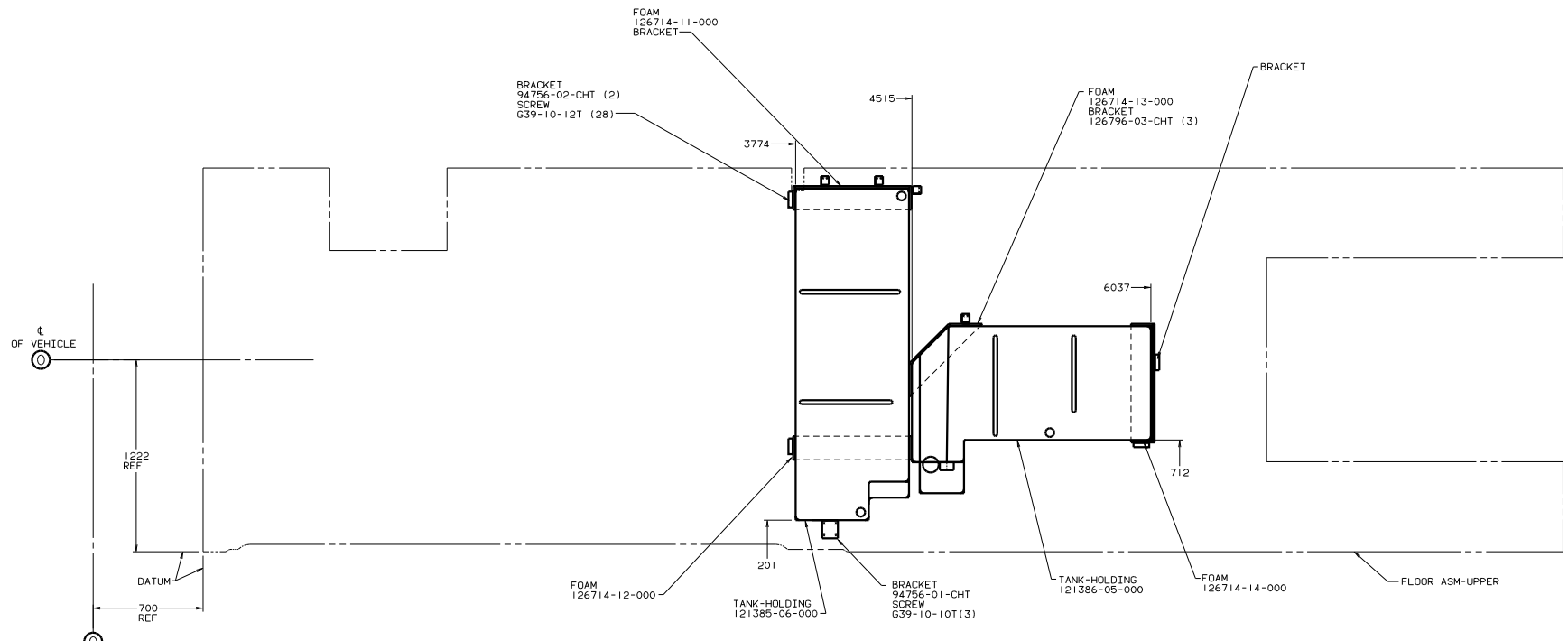
- TOILET 85321-04-000
- CLAMP 62401-05-000

- BRACKET ON PLATFORM ASM MAY NEED TO BE REPOSITIONED.
- CLAMP TO FIT.
- TRIM TO FIT.
- CSA ONLY.
- US ONLY.
- SECURE VENT TUBES TO FLOOR WITH BRACKET.
- VENT PIPE MUST PROJECT 51 MIN AND 63.5 MAX ABOVE ROOF FOR PROPER FIT AND FUNCTION.
- SEE DWG 61607-01-000 FOR INSTL OF GROMMETS.
- SEAL ALL AROUND SHOWER WITH SILICONE.
- FOR CANADIAN UNITS EACH HOLDING TANK SHALL HAVE A CSA APPROVAL STAMPED NEAR THE TAMPO APPROVAL.
- EXPOSED PIPE ABOVE ROOF TO BE PAINTED WITH 37163-01-000.
- ALL EXTERIOR OPENINGS AROUND PIPE TO BE SEALED WITH 11074-01-000.
- ALL PIPE AND FITTINGS TO BE ASSEMBLED WITH SOLVENT 4020-01-000.
- SLOPE OF TRAP ARM MUST BE 6 PER 305.
- SLOPE OF HORIZONTAL PIPING TO BE 6 PER 305 MIN.

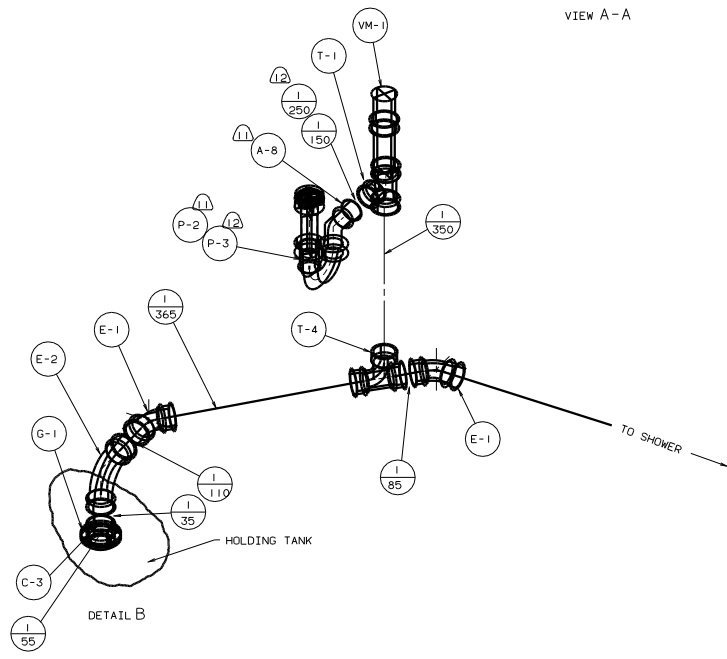
- SECURE PIPES TO CABINET USING WIRE TIE 108046-02-000 AND SCREW G67-10-12U(8).
- COVER PIPE FROM ELBOW UP USING SCRAP 9CARPT-02-000 WHEN AVAILABLE OR 9CARPT-02-000 (150 X 178).
- OPTION 41K.

FOR DRAINAGE CALLOUTS SEE DWG NO. 16229-01-000

DATE		PROPOSED TOLERANCES ARE:		MATERIAL:	
DATE	DATE	ANGLE DIM (1)	+		
DATE	DATE	ANGLE DIM (2)	+		
DATE	DATE	ANGLE DIM (3)	+		
DATE	DATE	ANGLE DIM (4)	+		
DATE	DATE	ANGLE DIM (5)	+		
DATE	DATE	ANGLE DIM (6)	+		
DATE	DATE	ANGLE DIM (7)	+		
DATE	DATE	ANGLE DIM (8)	+		
DATE	DATE	ANGLE DIM (9)	+		
DATE	DATE	ANGLE DIM (10)	+		
DATE	DATE	ANGLE DIM (11)	+		
DATE	DATE	ANGLE DIM (12)	+		
DATE	DATE	ANGLE DIM (13)	+		
DATE	DATE	ANGLE DIM (14)	+		
DATE	DATE	ANGLE DIM (15)	+		
DATE	DATE	ANGLE DIM (16)	+		
DATE	DATE	ANGLE DIM (17)	+		
DATE	DATE	ANGLE DIM (18)	+		
DATE	DATE	ANGLE DIM (19)	+		
DATE	DATE	ANGLE DIM (20)	+		
DATE	DATE	ANGLE DIM (21)	+		
DATE	DATE	ANGLE DIM (22)	+		
DATE	DATE	ANGLE DIM (23)	+		
DATE	DATE	ANGLE DIM (24)	+		
DATE	DATE	ANGLE DIM (25)	+		
DATE	DATE	ANGLE DIM (26)	+		
DATE	DATE	ANGLE DIM (27)	+		
DATE	DATE	ANGLE DIM (28)	+		
DATE	DATE	ANGLE DIM (29)	+		
DATE	DATE	ANGLE DIM (30)	+		
DATE	DATE	ANGLE DIM (31)	+		
DATE	DATE	ANGLE DIM (32)	+		
DATE	DATE	ANGLE DIM (33)	+		
DATE	DATE	ANGLE DIM (34)	+		
DATE	DATE	ANGLE DIM (35)	+		
DATE	DATE	ANGLE DIM (36)	+		
DATE	DATE	ANGLE DIM (37)	+		
DATE	DATE	ANGLE DIM (38)	+		
DATE	DATE	ANGLE DIM (39)	+		
DATE	DATE	ANGLE DIM (40)	+		
DATE	DATE	ANGLE DIM (41)	+		
DATE	DATE	ANGLE DIM (42)	+		
DATE	DATE	ANGLE DIM (43)	+		
DATE	DATE	ANGLE DIM (44)	+		
DATE	DATE	ANGLE DIM (45)	+		
DATE	DATE	ANGLE DIM (46)	+		
DATE	DATE	ANGLE DIM (47)	+		
DATE	DATE	ANGLE DIM (48)	+		
DATE	DATE	ANGLE DIM (49)	+		
DATE	DATE	ANGLE DIM (50)	+		
DATE	DATE	ANGLE DIM (51)	+		
DATE	DATE	ANGLE DIM (52)	+		
DATE	DATE	ANGLE DIM (53)	+		
DATE	DATE	ANGLE DIM (54)	+		
DATE	DATE	ANGLE DIM (55)	+		
DATE	DATE	ANGLE DIM (56)	+		
DATE	DATE	ANGLE DIM (57)	+		
DATE	DATE	ANGLE DIM (58)	+		
DATE	DATE	ANGLE DIM (59)	+		
DATE	DATE	ANGLE DIM (60)	+		
DATE	DATE	ANGLE DIM (61)	+		
DATE	DATE	ANGLE DIM (62)	+		
DATE	DATE	ANGLE DIM (63)	+		
DATE	DATE	ANGLE DIM (64)	+		
DATE	DATE	ANGLE DIM (65)	+		
DATE	DATE	ANGLE DIM (66)	+		
DATE	DATE	ANGLE DIM (67)	+		
DATE	DATE	ANGLE DIM (68)	+		
DATE	DATE	ANGLE DIM (69)	+		
DATE	DATE	ANGLE DIM (70)	+		
DATE	DATE	ANGLE DIM (71)	+		
DATE	DATE	ANGLE DIM (72)	+		
DATE	DATE	ANGLE DIM (73)	+		
DATE	DATE	ANGLE DIM (74)	+		
DATE	DATE	ANGLE DIM (75)	+		
DATE	DATE	ANGLE DIM (76)	+		
DATE	DATE	ANGLE DIM (77)	+		
DATE	DATE	ANGLE DIM (78)	+		
DATE	DATE	ANGLE DIM (79)	+		
DATE	DATE	ANGLE DIM (80)	+		
DATE	DATE	ANGLE DIM (81)	+		
DATE	DATE	ANGLE DIM (82)	+		
DATE	DATE	ANGLE DIM (83)	+		
DATE	DATE	ANGLE DIM (84)	+		
DATE	DATE	ANGLE DIM (85)	+		
DATE	DATE	ANGLE DIM (86)	+		
DATE	DATE	ANGLE DIM (87)	+		
DATE	DATE	ANGLE DIM (88)	+		
DATE	DATE	ANGLE DIM (89)	+		
DATE	DATE	ANGLE DIM (90)	+		
DATE	DATE	ANGLE DIM (91)	+		
DATE	DATE	ANGLE DIM (92)	+		
DATE	DATE	ANGLE DIM (93)	+		
DATE	DATE	ANGLE DIM (94)	+		
DATE	DATE	ANGLE DIM (95)	+		
DATE	DATE	ANGLE DIM (96)	+		
DATE	DATE	ANGLE DIM (97)	+		
DATE	DATE	ANGLE DIM (98)	+		
DATE	DATE	ANGLE DIM (99)	+		
DATE	DATE	ANGLE DIM (100)	+		



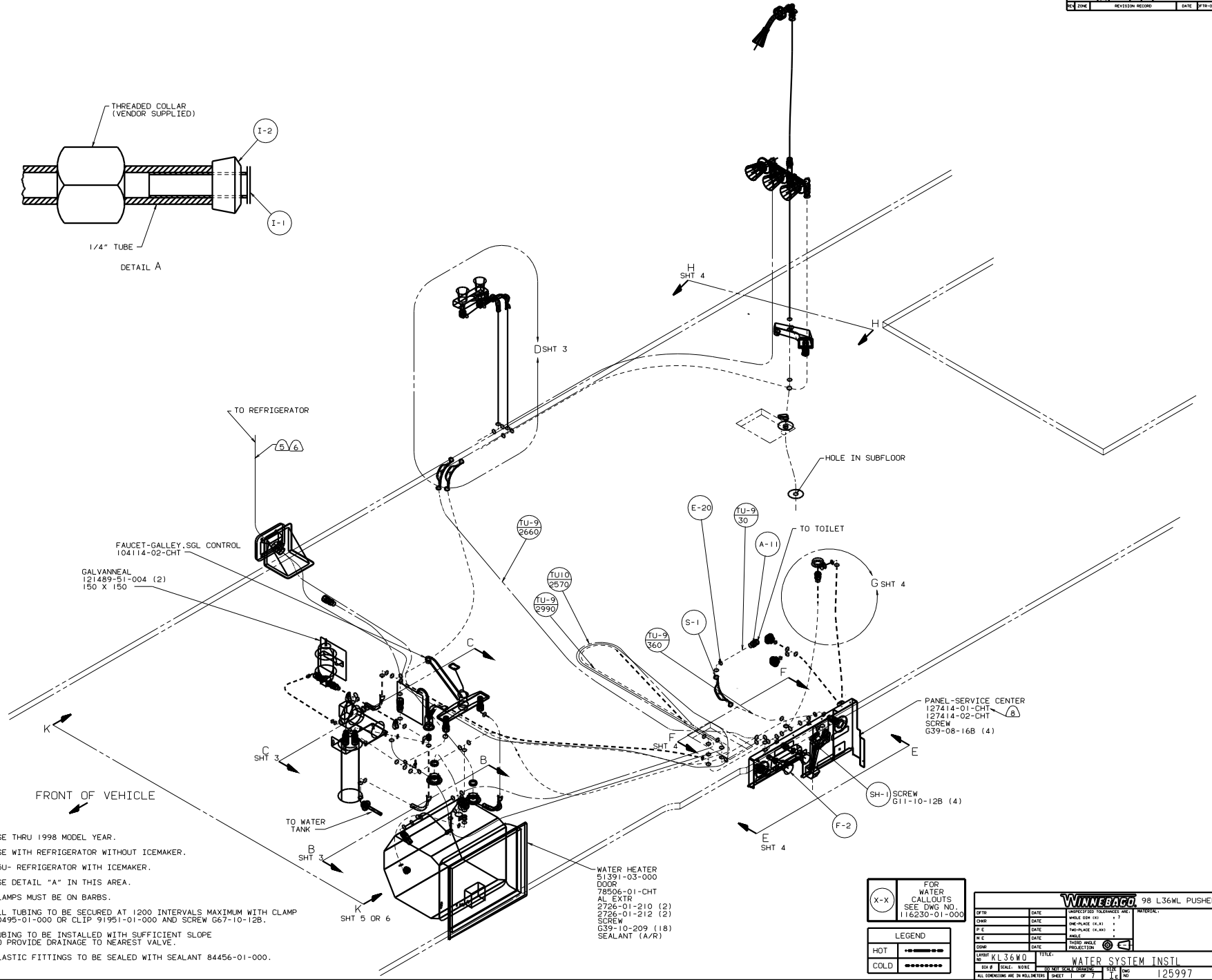
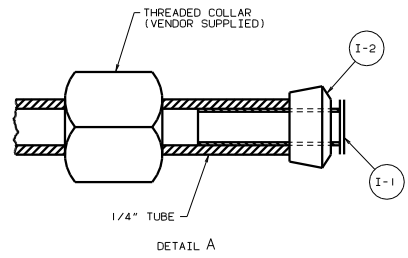
VIEW A-A



DETAIL B

98 L36WQ, PUSHER

TITLE: DRAINAGE SYSTEM INSUL		DWG NO: 125998	
DATE: 2/05	BY: J.E.	CHK: J.E.	APP: J.E.
SHEET 2 OF 2		PAGE 1	



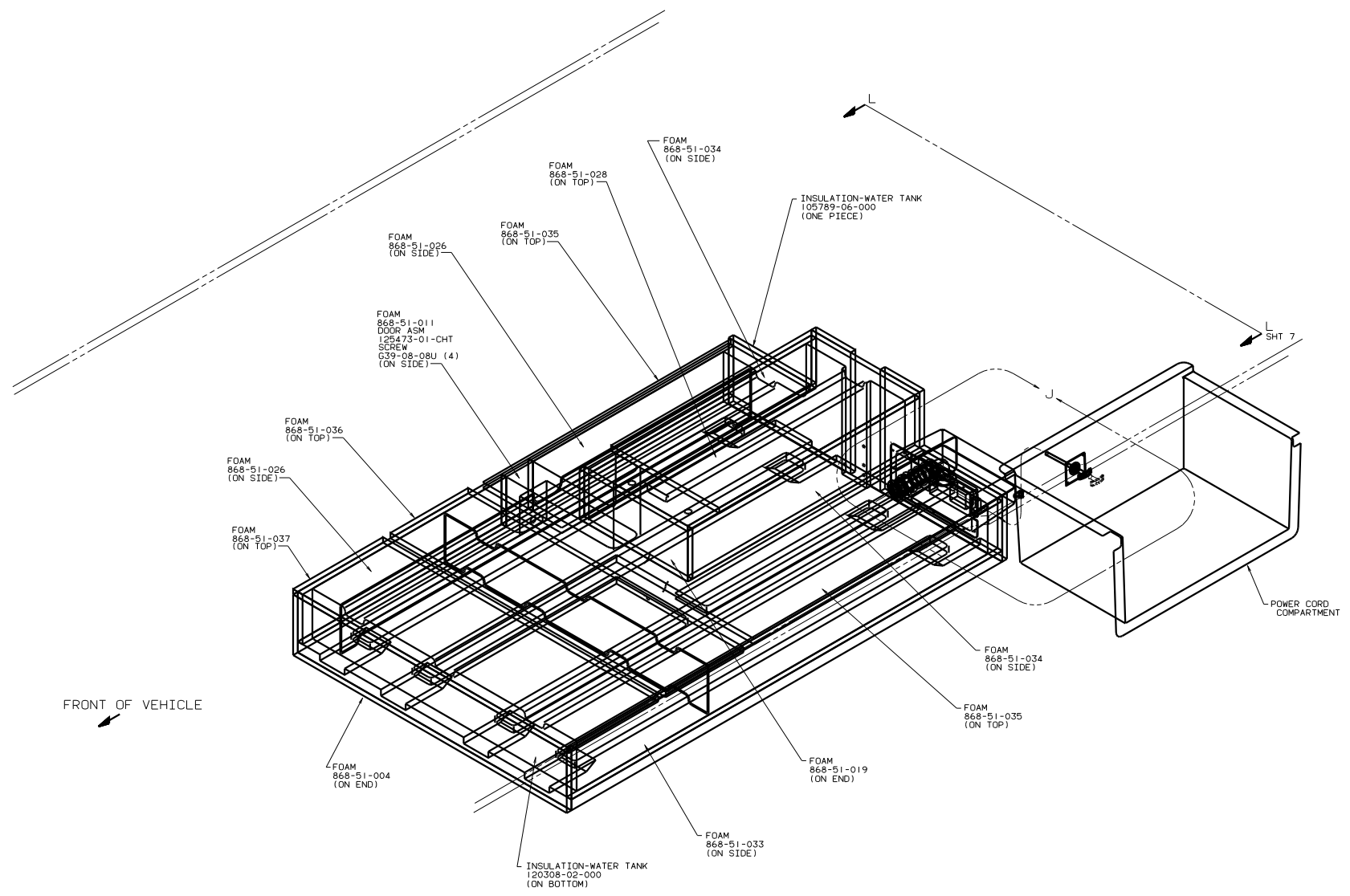
- Ⓐ USE THRU 1998 MODEL YEAR.
- Ⓑ USE WITH REFRIGERATOR WITHOUT ICEMAKER.
- Ⓒ 15U- REFRIGERATOR WITH ICEMAKER.
- Ⓓ USE DETAIL "A" IN THIS AREA.
- Ⓔ CLAMPS MUST BE ON BARBS.

3. ALL TUBING TO BE SECURED AT 1200 INTERVALS MAXIMUM WITH CLAMP 10495-01-000 OR CLIP 91951-01-000 AND SCREW G67-10-12B.
2. TUBING TO BE INSTALLED WITH SUFFICIENT SLOPE TO PROVIDE DRAINAGE TO NEAREST VALVE.
1. PLASTIC FITTINGS TO BE SEALED WITH SEALANT 84456-01-000.

FOR WATER CALLOUTS SEE DWG NO 116230-01-000

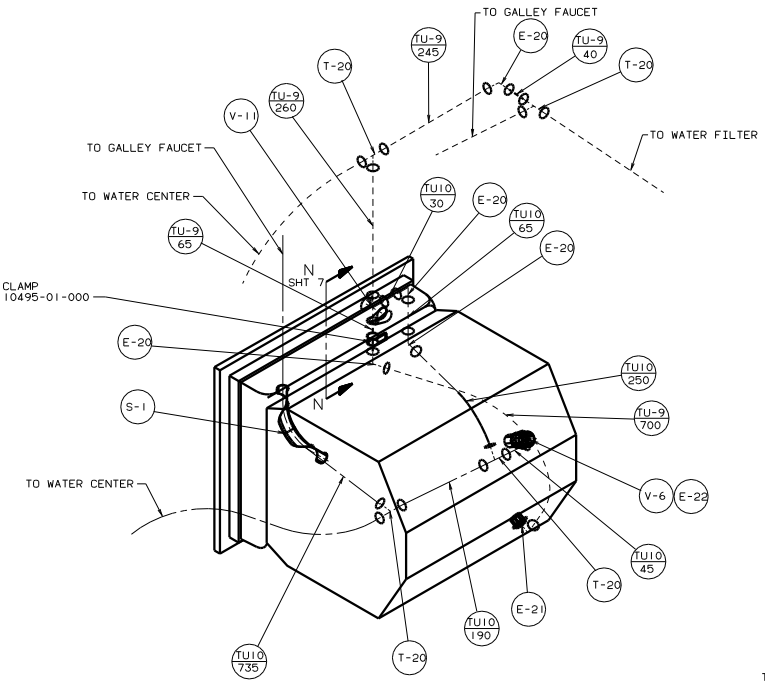
LEGEND	
HOT	●●●●●●●●
COLD	●●●●●●●●

		98 L36WL PUSHER	
DATE	UNDESIGNED TOLERANCES ARE:	MATERIAL	
DATE	WHOLE DIM (IN)	.005	
DATE	ONE-PLACE (IN.XI)	.005	
DATE	TWO-PLACE (IN.XI)	.005	
DATE	THREE-PLACE (IN.XI)	.005	
DATE	FOUR-PLACE (IN.XI)	.005	
DATE	FIVE-PLACE (IN.XI)	.005	
DATE	SIX-PLACE (IN.XI)	.005	
DATE	SEVEN-PLACE (IN.XI)	.005	
DATE	EIGHT-PLACE (IN.XI)	.005	
DATE	NINE-PLACE (IN.XI)	.005	
DATE	TEN-PLACE (IN.XI)	.005	
DATE	ELEVEN-PLACE (IN.XI)	.005	
DATE	TWELVE-PLACE (IN.XI)	.005	
DATE	THIRTEEN-PLACE (IN.XI)	.005	
DATE	FOURTEEN-PLACE (IN.XI)	.005	
DATE	FIFTEEN-PLACE (IN.XI)	.005	
DATE	SIXTEEN-PLACE (IN.XI)	.005	
DATE	SEVENTEEN-PLACE (IN.XI)	.005	
DATE	EIGHTEEN-PLACE (IN.XI)	.005	
DATE	NINETEEN-PLACE (IN.XI)	.005	
DATE	TWENTY-PLACE (IN.XI)	.005	
DATE	ONE PLACE (IN.XI)	.005	
DATE	TWO PLACE (IN.XI)	.005	
DATE	THREE PLACE (IN.XI)	.005	
DATE	FOUR PLACE (IN.XI)	.005	
DATE	FIVE PLACE (IN.XI)	.005	
DATE	SIX PLACE (IN.XI)	.005	
DATE	SEVEN PLACE (IN.XI)	.005	
DATE	EIGHT PLACE (IN.XI)	.005	
DATE	NINE PLACE (IN.XI)	.005	
DATE	TEN PLACE (IN.XI)	.005	
DATE	ELEVEN PLACE (IN.XI)	.005	
DATE	TWELVE PLACE (IN.XI)	.005	
DATE	THIRTEEN PLACE (IN.XI)	.005	
DATE	FOURTEEN PLACE (IN.XI)	.005	
DATE	FIFTEEN PLACE (IN.XI)	.005	
DATE	SIXTEEN PLACE (IN.XI)	.005	
DATE	SEVENTEEN PLACE (IN.XI)	.005	
DATE	EIGHTEEN PLACE (IN.XI)	.005	
DATE	NINETEEN PLACE (IN.XI)	.005	
DATE	TWENTY PLACE (IN.XI)	.005	
DATE	ONE PLACE (IN.XI)	.005	
DATE	TWO PLACE (IN.XI)	.005	
DATE	THREE PLACE (IN.XI)	.005	
DATE	FOUR PLACE (IN.XI)	.005	
DATE	FIVE PLACE (IN.XI)	.005	
DATE	SIX PLACE (IN.XI)	.005	
DATE	SEVEN PLACE (IN.XI)	.005	
DATE	EIGHT PLACE (IN.XI)	.005	
DATE	NINE PLACE (IN.XI)	.005	
DATE	TEN PLACE (IN.XI)	.005	
DATE	ELEVEN PLACE (IN.XI)	.005	
DATE	TWELVE PLACE (IN.XI)	.005	
DATE	THIRTEEN PLACE (IN.XI)	.005	
DATE	FOURTEEN PLACE (IN.XI)	.005	
DATE	FIFTEEN PLACE (IN.XI)	.005	
DATE	SIXTEEN PLACE (IN.XI)	.005	
DATE	SEVENTEEN PLACE (IN.XI)	.005	
DATE	EIGHTEEN PLACE (IN.XI)	.005	
DATE	NINETEEN PLACE (IN.XI)	.005	
DATE	TWENTY PLACE (IN.XI)	.005	
DATE	ONE PLACE (IN.XI)	.005	
DATE	TWO PLACE (IN.XI)	.005	
DATE	THREE PLACE (IN.XI)	.005	
DATE	FOUR PLACE (IN.XI)	.005	
DATE	FIVE PLACE (IN.XI)	.005	
DATE	SIX PLACE (IN.XI)	.005	
DATE	SEVEN PLACE (IN.XI)	.005	
DATE	EIGHT PLACE (IN.XI)	.005	
DATE	NINE PLACE (IN.XI)	.005	
DATE	TEN PLACE (IN.XI)	.005	
DATE	ELEVEN PLACE (IN.XI)	.005	
DATE	TWELVE PLACE (IN.XI)	.005	
DATE	THIRTEEN PLACE (IN.XI)	.005	
DATE	FOURTEEN PLACE (IN.XI)	.005	
DATE	FIFTEEN PLACE (IN.XI)	.005	
DATE	SIXTEEN PLACE (IN.XI)	.005	
DATE	SEVENTEEN PLACE (IN.XI)	.005	
DATE	EIGHTEEN PLACE (IN.XI)	.005	
DATE	NINETEEN PLACE (IN.XI)	.005	
DATE	TWENTY PLACE (IN.XI)	.005	
DATE	ONE PLACE (IN.XI)	.005	
DATE	TWO PLACE (IN.XI)	.005	
DATE	THREE PLACE (IN.XI)	.005	
DATE	FOUR PLACE (IN.XI)	.005	
DATE	FIVE PLACE (IN.XI)	.005	
DATE	SIX PLACE (IN.XI)	.005	
DATE	SEVEN PLACE (IN.XI)	.005	
DATE	EIGHT PLACE (IN.XI)	.005	
DATE	NINE PLACE (IN.XI)	.005	
DATE	TEN PLACE (IN.XI)	.005	
DATE	ELEVEN PLACE (IN.XI)	.005	
DATE	TWELVE PLACE (IN.XI)	.005	
DATE	THIRTEEN PLACE (IN.XI)	.005	
DATE	FOURTEEN PLACE (IN.XI)	.005	
DATE	FIFTEEN PLACE (IN.XI)	.005	
DATE	SIXTEEN PLACE (IN.XI)	.005	
DATE	SEVENTEEN PLACE (IN.XI)	.005	
DATE	EIGHTEEN PLACE (IN.XI)	.005	
DATE	NINETEEN PLACE (IN.XI)	.005	
DATE	TWENTY PLACE (IN.XI)	.005	
DATE	ONE PLACE (IN.XI)	.005	
DATE	TWO PLACE (IN.XI)	.005	
DATE	THREE PLACE (IN.XI)	.005	
DATE	FOUR PLACE (IN.XI)	.005	
DATE	FIVE PLACE (IN.XI)	.005	
DATE	SIX PLACE (IN.XI)	.005	
DATE	SEVEN PLACE (IN.XI)	.005	
DATE	EIGHT PLACE (IN.XI)	.005	
DATE	NINE PLACE (IN.XI)	.005	
DATE	TEN PLACE (IN.XI)	.005	
DATE	ELEVEN PLACE (IN.XI)	.005	
DATE	TWELVE PLACE (IN.XI)	.005	
DATE	THIRTEEN PLACE (IN.XI)	.005	
DATE	FOURTEEN PLACE (IN.XI)	.005	
DATE	FIFTEEN PLACE (IN.XI)	.005	
DATE	SIXTEEN PLACE (IN.XI)	.005	
DATE	SEVENTEEN PLACE (IN.XI)	.005	
DATE	EIGHTEEN PLACE (IN.XI)	.005	
DATE	NINETEEN PLACE (IN.XI)	.005	
DATE	TWENTY PLACE (IN.XI)	.005	
DATE	ONE PLACE (IN.XI)	.005	
DATE	TWO PLACE (IN.XI)	.005	
DATE	THREE PLACE (IN.XI)	.005	
DATE	FOUR PLACE (IN.XI)	.005	
DATE	FIVE PLACE (IN.XI)	.005	
DATE	SIX PLACE (IN.XI)	.005	
DATE	SEVEN PLACE (IN.XI)	.005	
DATE	EIGHT PLACE (IN.XI)	.005	
DATE	NINE PLACE (IN.XI)	.005	
DATE	TEN PLACE (IN.XI)	.005	
DATE	ELEVEN PLACE (IN.XI)	.005	
DATE	TWELVE PLACE (IN.XI)	.005	
DATE	THIRTEEN PLACE (IN.XI)	.005	
DATE	FOURTEEN PLACE (IN.XI)	.005	
DATE	FIFTEEN PLACE (IN.XI)	.005	
DATE	SIXTEEN PLACE (IN.XI)	.005	
DATE	SEVENTEEN PLACE (IN.XI)	.005	
DATE	EIGHTEEN PLACE (IN.XI)	.005	
DATE	NINETEEN PLACE (IN.XI)	.005	
DATE	TWENTY PLACE (IN.XI)	.005	
DATE	ONE PLACE (IN.XI)	.005	
DATE	TWO PLACE (IN.XI)	.005	
DATE	THREE PLACE (IN.XI)	.005	
DATE	FOUR PLACE (IN.XI)	.005	
DATE	FIVE PLACE (IN.XI)	.005	
DATE	SIX PLACE (IN.XI)	.005	
DATE	SEVEN PLACE (IN.XI)	.005	
DATE	EIGHT PLACE (IN.XI)	.005	
DATE	NINE PLACE (IN.XI)	.005	
DATE	TEN PLACE (IN.XI)	.005	
DATE	ELEVEN PLACE (IN.XI)	.005	
DATE	TWELVE PLACE (IN.XI)	.005	
DATE	THIRTEEN PLACE (IN.XI)	.005	
DATE	FOURTEEN PLACE (IN.XI)	.005	
DATE	FIFTEEN PLACE (IN.XI)	.005	
DATE	SIXTEEN PLACE (IN.XI)	.005	
DATE	SEVENTEEN PLACE (IN.XI)	.005	
DATE	EIGHTEEN PLACE (IN.XI)	.005	
DATE	NINETEEN PLACE (IN.XI)	.005	
DATE	TWENTY PLACE (IN.XI)	.005	
DATE	ONE PLACE (IN.XI)	.005	
DATE	TWO PLACE (IN.XI)	.005	
DATE	THREE PLACE (IN.XI)	.005	
DATE	FOUR PLACE (IN.XI)	.005	
DATE	FIVE PLACE (IN.XI)	.005	
DATE	SIX PLACE (IN.XI)	.005	
DATE	SEVEN PLACE (IN.XI)	.005	
DATE	EIGHT PLACE (IN.XI)	.005	
DATE	NINE PLACE (IN.XI)	.005	
DATE	TEN PLACE (IN.XI)	.005	
DATE	ELEVEN PLACE (IN.XI)	.005	
DATE	TWELVE PLACE (IN.XI)	.005	
DATE	THIRTEEN PLACE (IN.XI)	.005	
DATE	FOURTEEN PLACE (IN.XI)	.005	
DATE	FIFTEEN PLACE (IN.XI)	.005	
DATE	SIXTEEN PLACE (IN.XI)	.005	
DATE	SEVENTEEN PLACE (IN.XI)	.005	
DATE	EIGHTEEN PLACE (IN.XI)	.005	
DATE	NINETEEN PLACE (IN.XI)	.005	
DATE	TWENTY PLACE (IN.XI)	.005	
DATE	ONE PLACE (IN.XI)	.005	
DATE	TWO PLACE (IN.XI)	.005	
DATE	THREE PLACE (IN.XI)	.005	
DATE	FOUR PLACE (IN.XI)	.005	
DATE	FIVE PLACE (IN.XI)	.005	
DATE	SIX PLACE (IN.XI)	.005	
DATE	SEVEN PLACE (IN.XI)	.005	
DATE	EIGHT PLACE (IN.XI)	.005	
DATE	NINE PLACE (IN.XI)	.005	
DATE	TEN PLACE (IN.XI)	.005	
DATE	ELEVEN PLACE (IN.XI)	.005	
DATE	TWELVE PLACE (IN.XI)	.005	
DATE	THIRTEEN PLACE (IN.XI)	.005	
DATE	FOURTEEN PLACE (IN.XI)	.005	
DATE	FIFTEEN PLACE (IN.XI)	.005	
DATE	SIXTEEN PLACE (IN.XI)	.005	
DATE	SEVENTEEN PLACE (IN.XI)	.005	
DATE	EIGHTEEN PLACE (IN.XI)	.005	
DATE	NINETEEN PLACE (IN.XI)	.005	
DATE	TWENTY PLACE (IN.XI)	.005	
DATE	ONE PLACE (IN.XI)	.005	
DATE	TWO PLACE (IN.XI)	.005	
DATE	THREE PLACE (IN.XI)	.005	
DATE	FOUR PLACE (IN.XI)	.005	
DATE	FIVE PLACE (IN.XI)	.005	
DATE	SIX PLACE (IN.XI)	.005	
DATE	SEVEN PLACE (IN.XI)	.005	
DATE	EIGHT PLACE (IN.XI)	.005	
DATE	NINE PLACE (IN.XI)	.005	
DATE	TEN PLACE (IN.XI)	.005	
DATE	ELEVEN PLACE (IN.XI)	.005	
DATE	TWELVE PLACE (IN.XI)	.005	
DATE	THIRTEEN PLACE (IN.XI)	.005	
DATE	FOURTEEN PLACE (IN.XI)	.005	
DATE	FIFTEEN PLACE (IN.XI)	.005	
DATE	SIXTEEN PLACE (IN.XI)	.005	
DATE	SEVENTEEN PLACE (IN.XI)	.005	
DATE	EIGHTEEN PLACE (IN.XI)	.005	
DATE	NINETEEN PLACE (IN.XI)	.005	
DATE	TWENTY PLACE (IN.XI)	.005	
DATE	ONE PLACE (IN.XI)	.005	
DATE	TWO PLACE (IN.XI)	.005	
DATE	THREE PLACE (IN.XI)	.005	
DATE	FOUR PLACE (IN.XI)	.005	
DATE	FIVE PLACE (IN.XI)	.005	
DATE	SIX PLACE (IN.XI)	.005	
DATE	SEVEN PLACE (IN.XI)	.005	
DATE	EIGHT PLACE (IN.XI)	.005	
DATE	NINE PLACE (IN.XI)	.005	
DATE	TEN PLACE (IN.XI)	.005	
DATE	ELEVEN PLACE (IN.XI)	.005	
DATE	TWELVE PLACE (IN.XI)	.005	
DATE	THIRTEEN PLACE (IN.XI)	.005	
DATE	FOURTEEN PLACE (IN.XI)	.005	
DATE	FIFTEEN PLACE (IN.XI)	.005	
DATE	SIXTEEN PLACE (IN.XI)	.005	
DATE	SEVENTEEN PLACE (IN.XI)	.005	
DATE	EIGHTEEN PLACE (IN.XI)	.005	
DATE	NINETEEN PLACE (IN.XI)	.005	
DATE	TWENTY PLACE (IN.XI)	.005	
DATE	ONE PLACE (IN.XI)	.005	
DATE	TWO PLACE (IN.XI)	.005	
DATE	THREE PLACE (IN.XI)	.005	
DATE	FOUR PLACE (IN.XI)	.005	
DATE	FIVE PLACE (IN.XI)	.005	
DATE	SIX PLACE (IN.XI)	.005	
DATE	SEVEN PLACE (IN.XI)	.005	
DATE	EIGHT PLACE (IN.XI)	.005	
DATE	NINE PLACE (IN.XI)	.005	
DATE	TEN PLACE (IN.XI)	.005	
DATE	ELEVEN PLACE (IN.XI)	.005	
DATE	TWELVE PLACE (IN.XI)	.005	
DATE	THIRTEEN PLACE (IN.XI)	.005	
DATE	FOURTEEN PLACE (IN.XI)	.005	
DATE	FIFTEEN PLACE (IN.XI)	.005	
DATE	SIXTEEN PLACE (IN.XI)	.005	
DATE	SEVENTEEN PLACE (IN.XI)	.005	
DATE	EIGHTEEN PLACE (IN.XI)	.005	
DATE	NINETEEN PLACE (IN.XI)	.005	
DATE	TWENTY PLACE (IN.XI)	.005	
DATE	ONE PLACE (IN.XI)	.005	
DATE	TWO PLACE (IN.XI)	.005	
DATE	THREE PLACE (IN.XI)	.005	
DATE	FOUR PLACE (IN.XI)	.005	
DATE	FIVE PLACE (IN.XI)	.005	
DATE	SIX PLACE (IN.XI)	.005	
DATE	SEVEN PLACE (IN.XI)	.005	
DATE	EIGHT PLACE (IN.XI)	.005	
DATE	NINE PLACE (IN.XI)	.005	
DATE	TEN PLACE (IN.XI)		

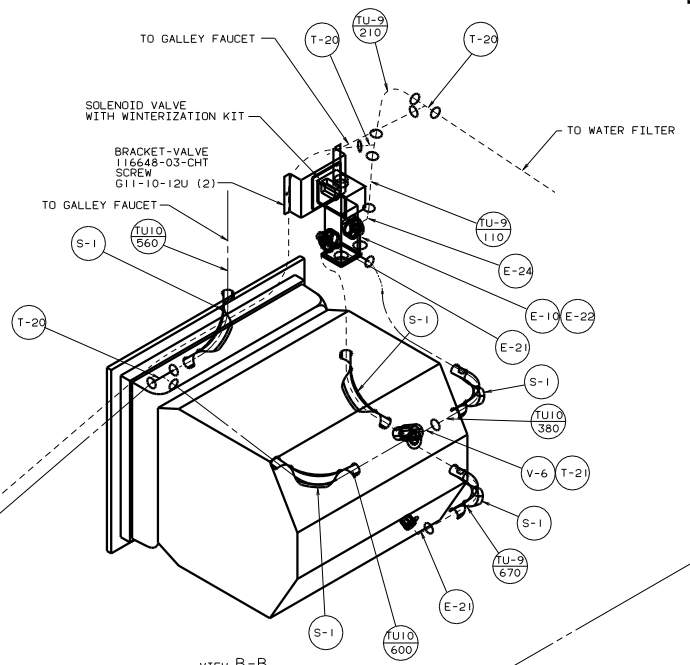


98 L36WL PUSHER

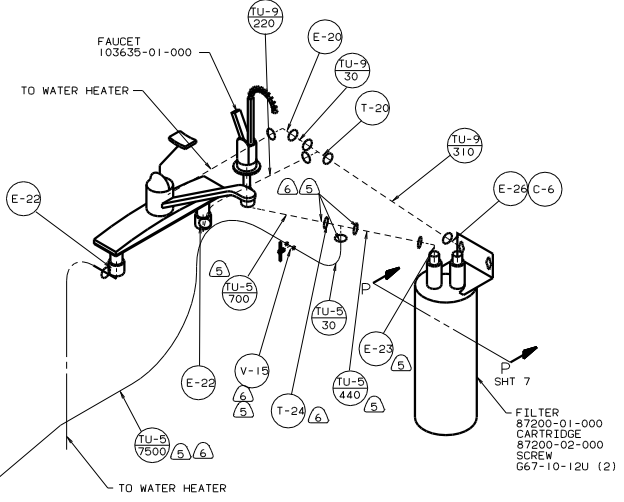
TITLE: WATER SYSTEM INSTL	
DATE: 11/16/05	REV: 1.0
SHEET: 2 OF 7	DWG NO: 125997



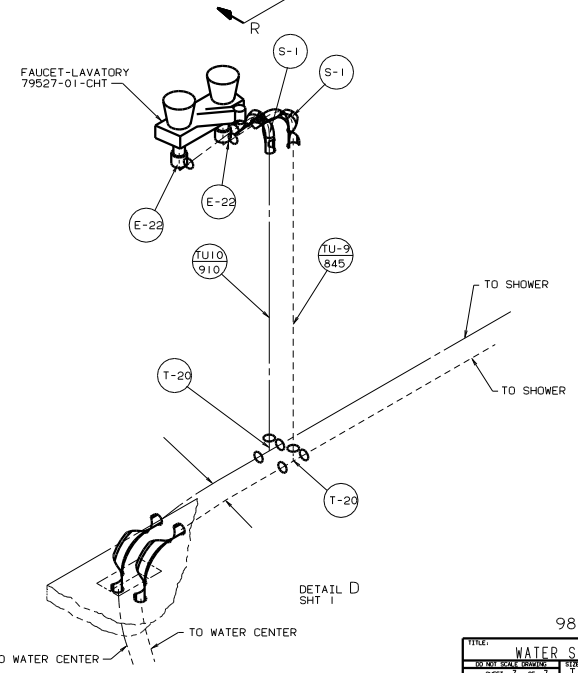
VIEW B-B
SHT 1
53J-WATER HEATER BYPASS VALVE



VIEW B-B
SHT 1
530-WATER HEATER AUTOMATIC WINTERIZER



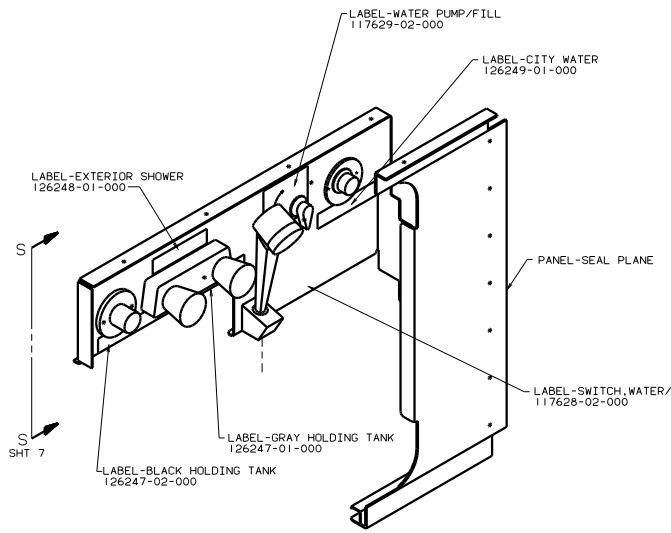
VIEW C-C
SHT 1
29B-WATER PURIFIER



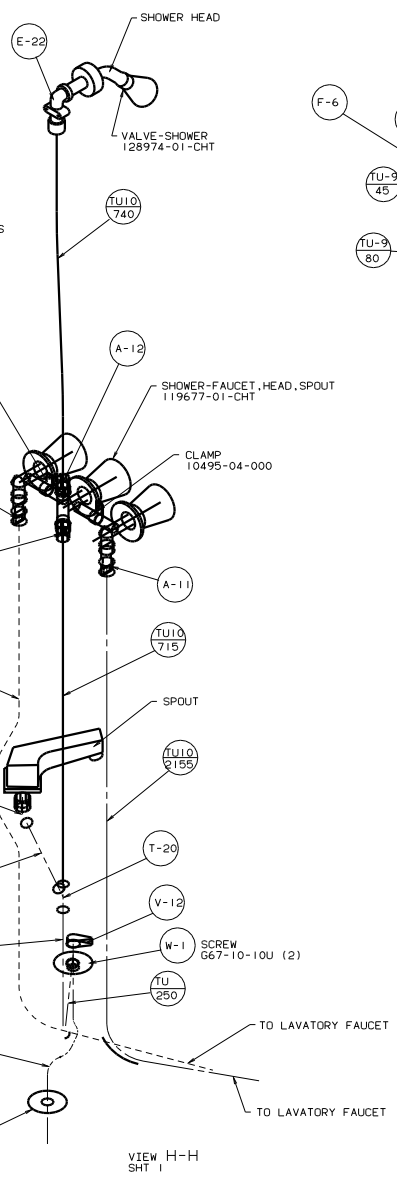
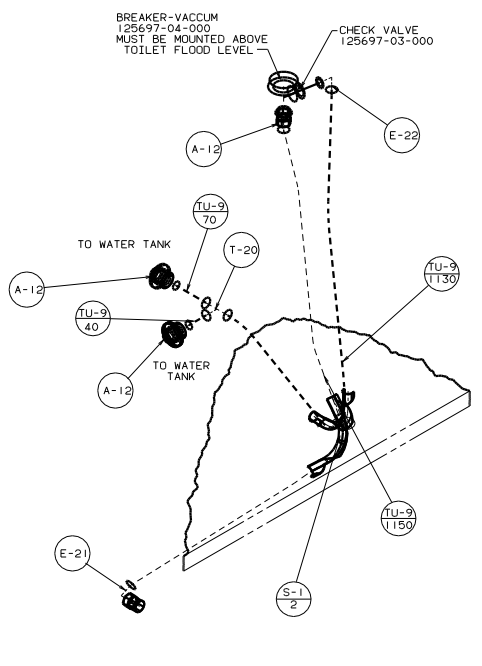
DETAIL D
SHT 1

98 L36WL PUSHER

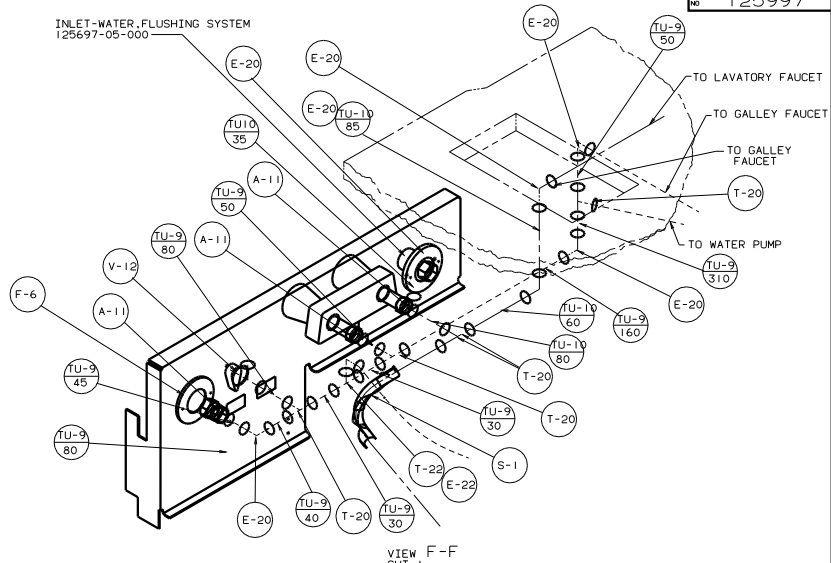
TITLE: WATER SYSTEM INSTL	
30 THE SCALE LISTING	THE SHEET
3 OF 7	16
125997	



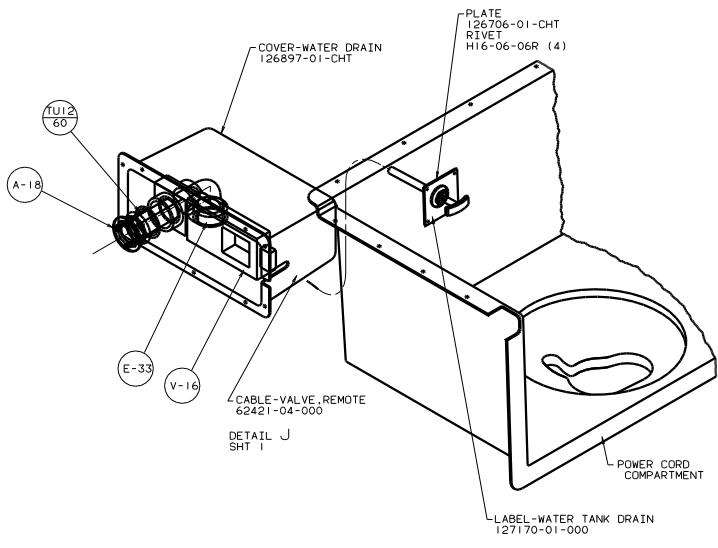
VIEW E-E
SHT 1

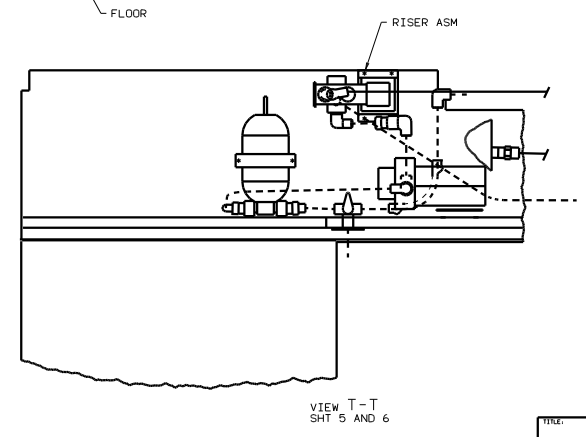
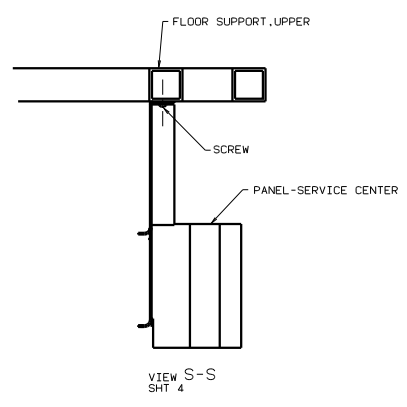
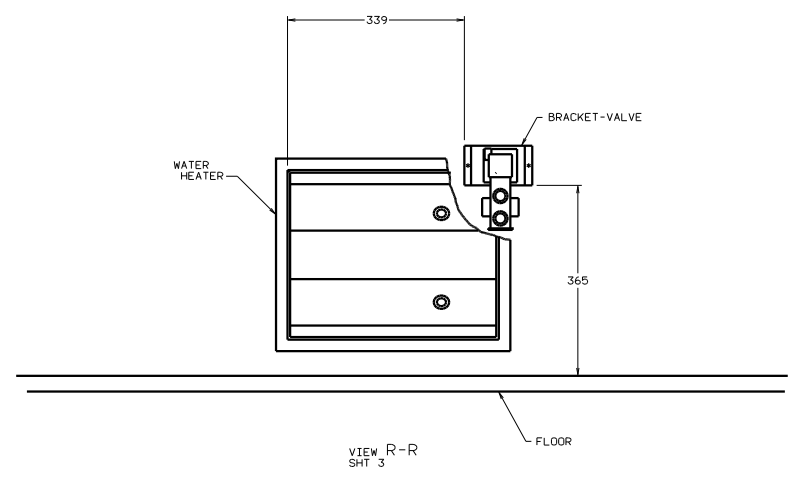
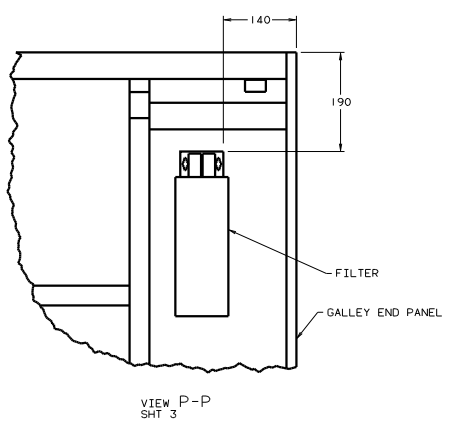
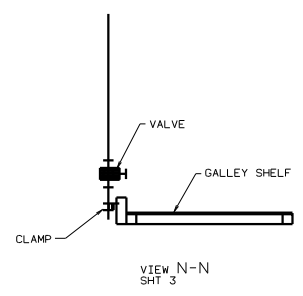
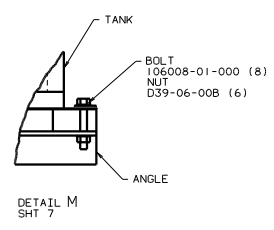
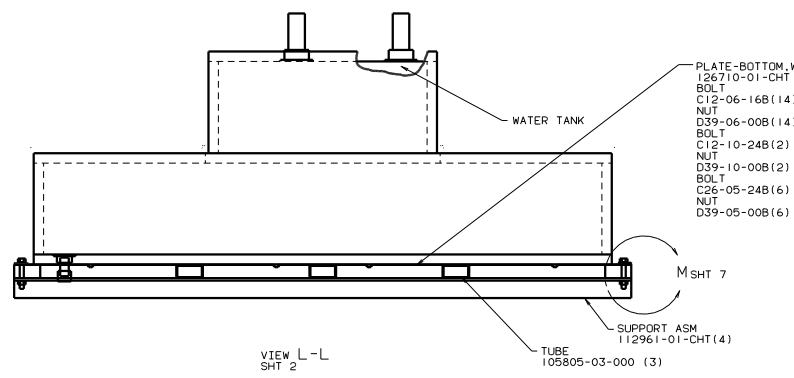


VIEW H-H
SHT 1



VIEW F-F
SHT 1





98 L36WL PUSHER

TITLE: WATER SYSTEM INSTL	
NO. IN SCALE DRAWING	REV
SHEET 7 OF 7	16
	125997