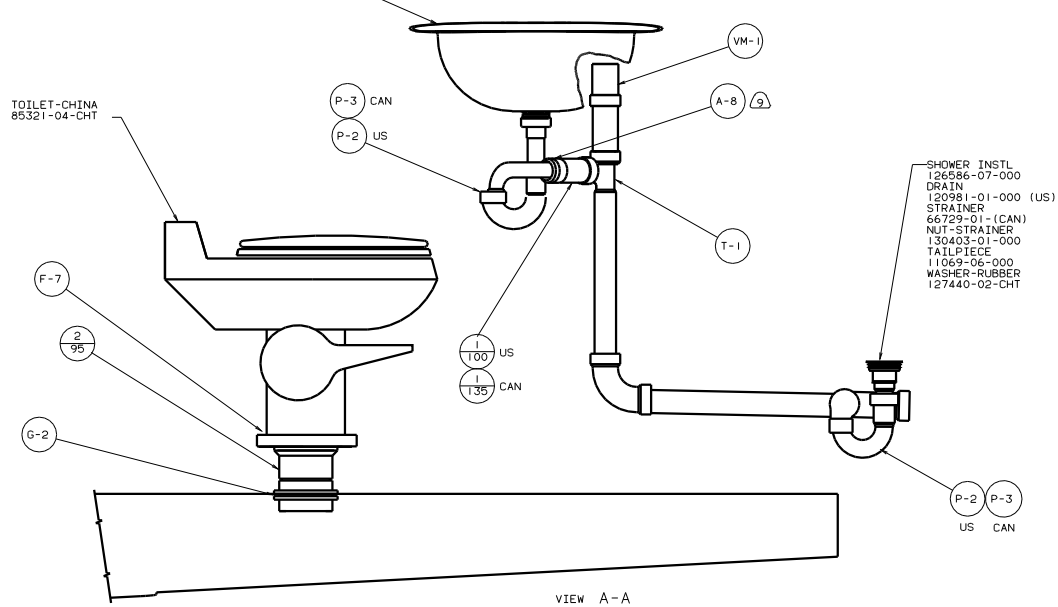
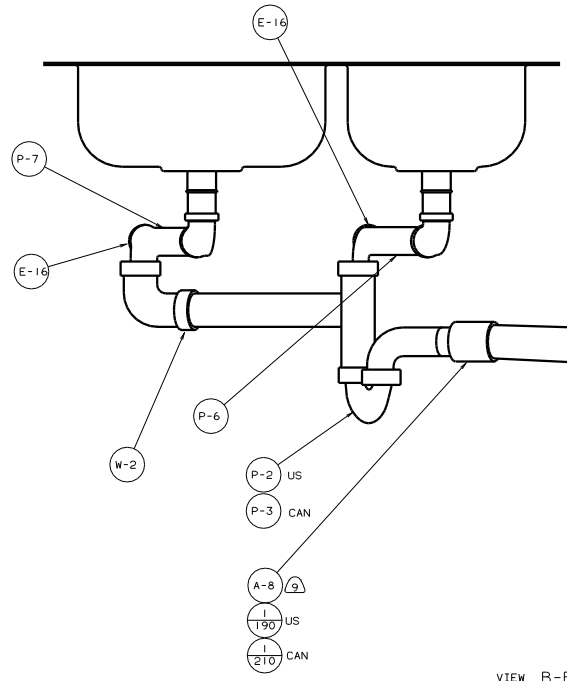


SINK
109921-01-CHT
STRAINER ASM
106116-01-CHT
SEAL
91255-02-000 (A/R)

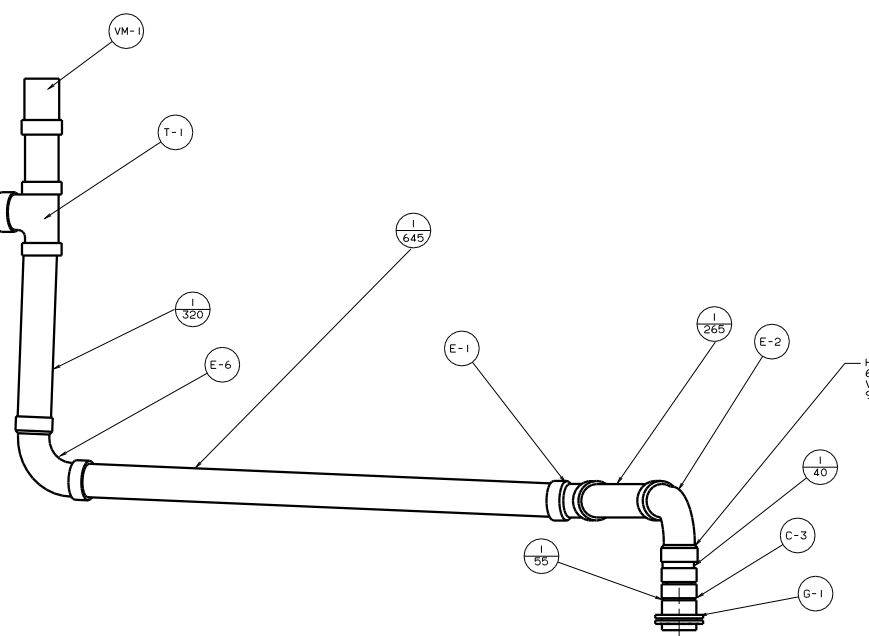
TOILET-CHINA
85321-04-CHT



VIEW A-A

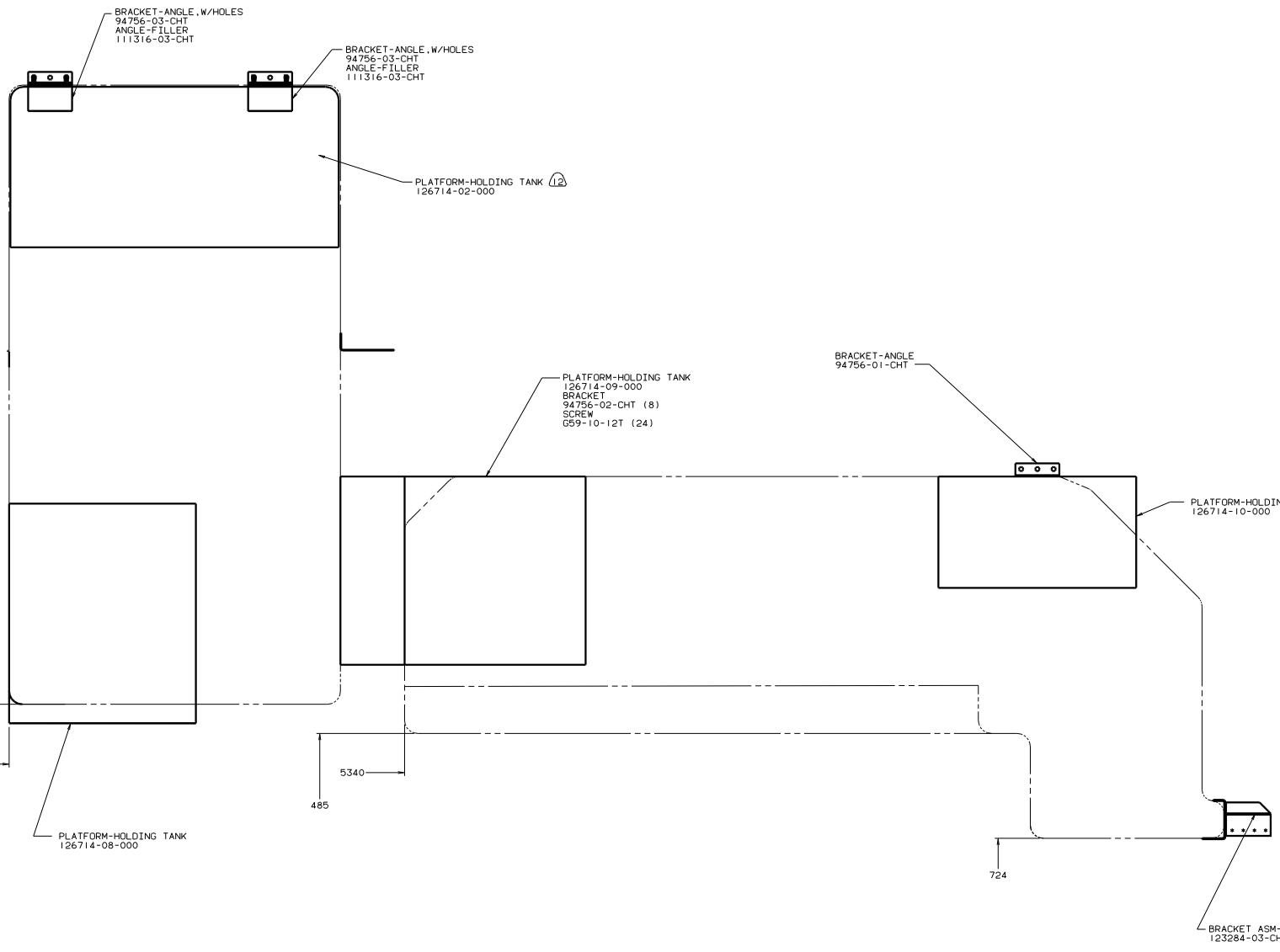


VIEW B-B



99 L35C

TITLE: DRAINAGE SYSTEM INSTL	
NO. OF SHEETS: 3	SHEET: 2 OF 3
REV. NO.:	1.0
130323	



BRACKET-ANGLE, W/HOLES
 94756-03-CHT
 ANGLE-FILLER
 111316-03-CHT

BRACKET-ANGLE, W/HOLES
 94756-03-CHT
 ANGLE-FILLER
 111316-03-CHT

PLATFORM-HOLDING TANK (12)
 126714-02-000

PLATFORM-HOLDING TANK
 126714-09-000
 BRACKET
 94756-02-CHT (8)
 SCREW
 G59-10-12T (24)

BRACKET-ANGLE
 94756-01-CHT

PLATFORM-HOLDING TANK
 126714-10-000

PLATFORM-HOLDING TANK
 126714-08-000

BRACKET ASM-TANK, WATER
 123284-03-CHT

419

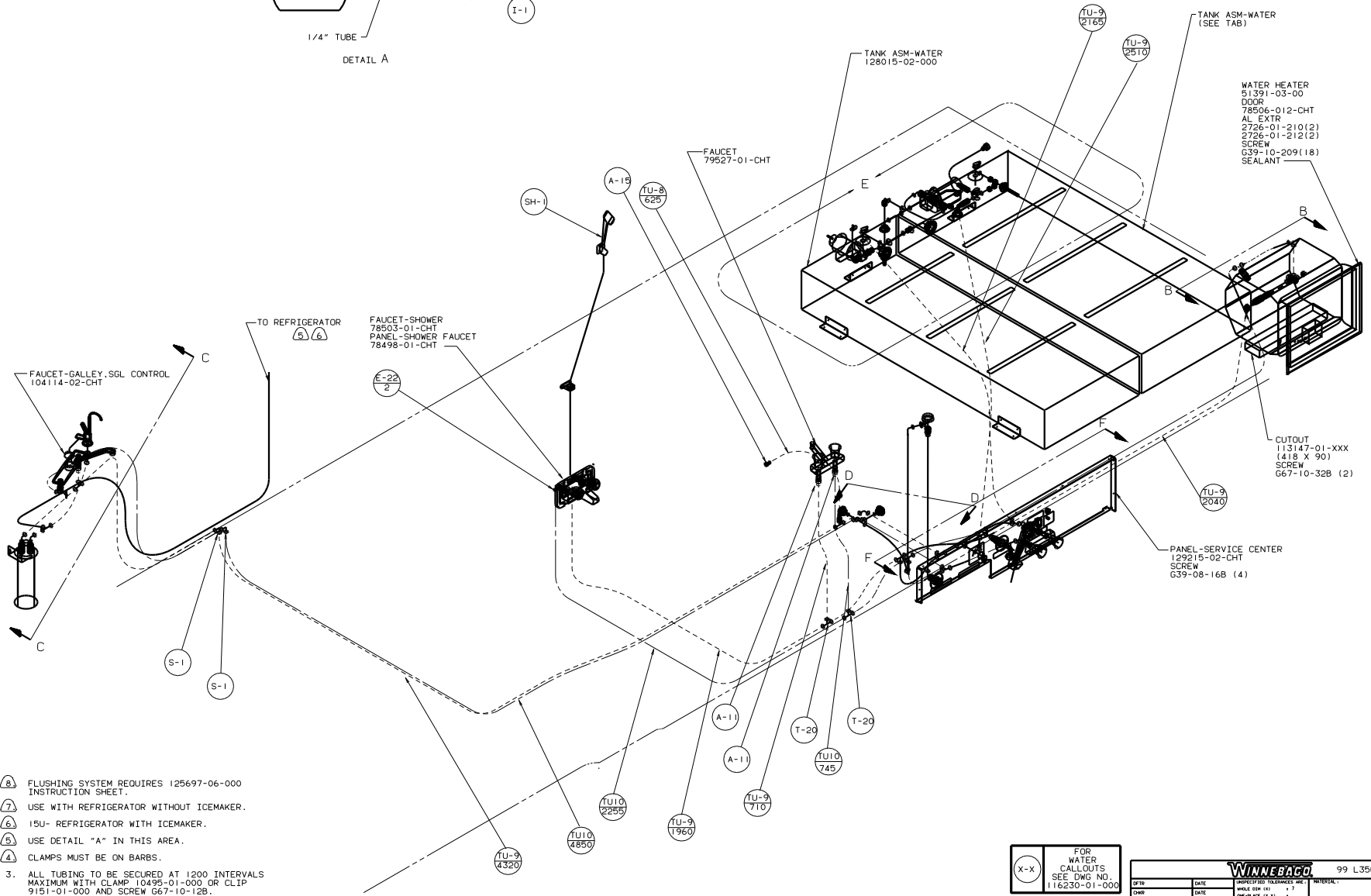
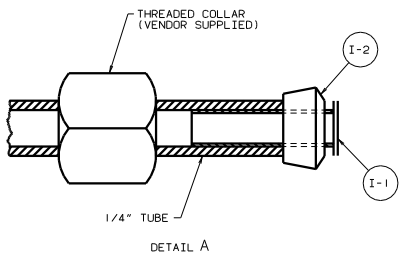
4440

485

5340

724

DWG NO	TANK ASM	UNIT
130322-01	117005-03	L35U
130322-02	117005-04	L35C



- 8 FLUSHING SYSTEM REQUIRES 125697-06-000 INSTRUCTION SHEET.
- 7 USE WITH REFRIGERATOR WITHOUT ICEMAKER.
- 6 15U- REFRIGERATOR WITH ICEMAKER.
- 5 USE DETAIL "A" IN THIS AREA.
- 4 CLAMPS MUST BE ON BARBS.
- 3. ALL TUBING TO BE SECURED AT 1200 INTERVALS MAXIMUM WITH CLAMP 10495-01-000 OR CLIP 9151-01-000 AND SCREW G67-10-128.
- 2. TUBING TO BE INSTALLED WITH SUFFICIENT SLOPE TO PROVIDE DRAINAGE TO NEAREST VALVE.
- 1. PLASTIC FITTINGS TO BE SEALED WITH SEALANT 84456-01-000.

FOR WATER CALLOUTS SEE DWG NO. 116230-01-000

LEGEND

HOT

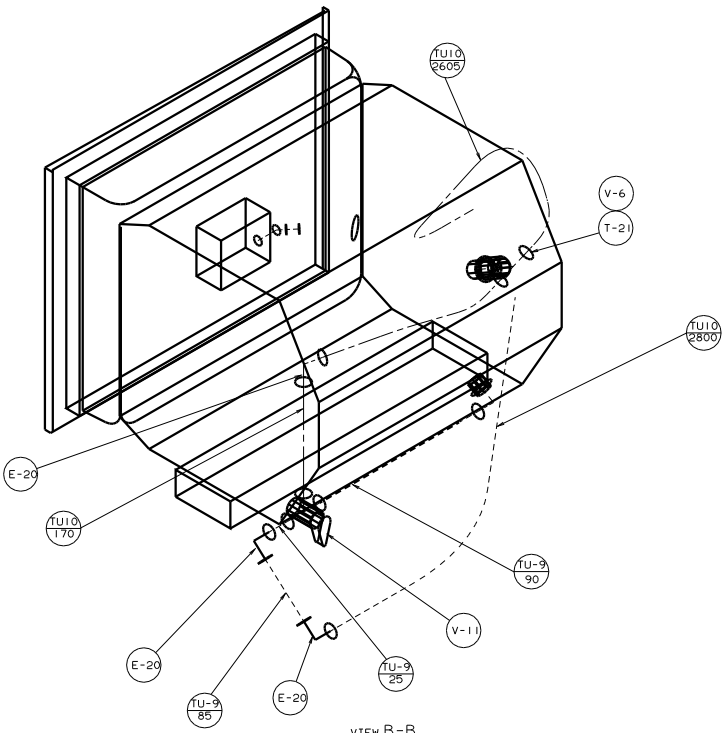
COLD

WINNEBAGO 99 L35C

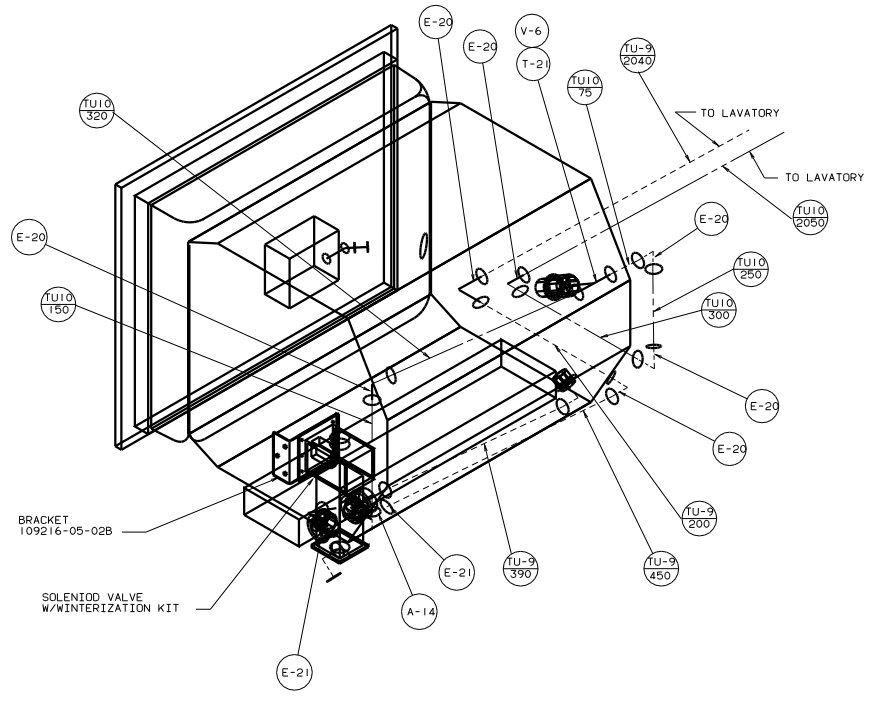
DATE	DATE	UNDESIGNED TOLERANCES ARE:	MATERIAL:
DATE	DATE	ONE-PLACE (H, R, S)	
DATE	DATE	TWO-PLACE (H, R, S)	
DATE	DATE	THREE-PLACE (H, R, S)	
DATE	DATE	FOUR-PLACE (H, R, S)	
DATE	DATE	FIVE-PLACE (H, R, S)	
DATE	DATE	SIX-PLACE (H, R, S)	
DATE	DATE	SEVEN-PLACE (H, R, S)	
DATE	DATE	EIGHT-PLACE (H, R, S)	
DATE	DATE	NINE-PLACE (H, R, S)	
DATE	DATE	TEN-PLACE (H, R, S)	
DATE	DATE	ELEVEN-PLACE (H, R, S)	
DATE	DATE	TWELVE-PLACE (H, R, S)	

WATER SYSTEM INSTL

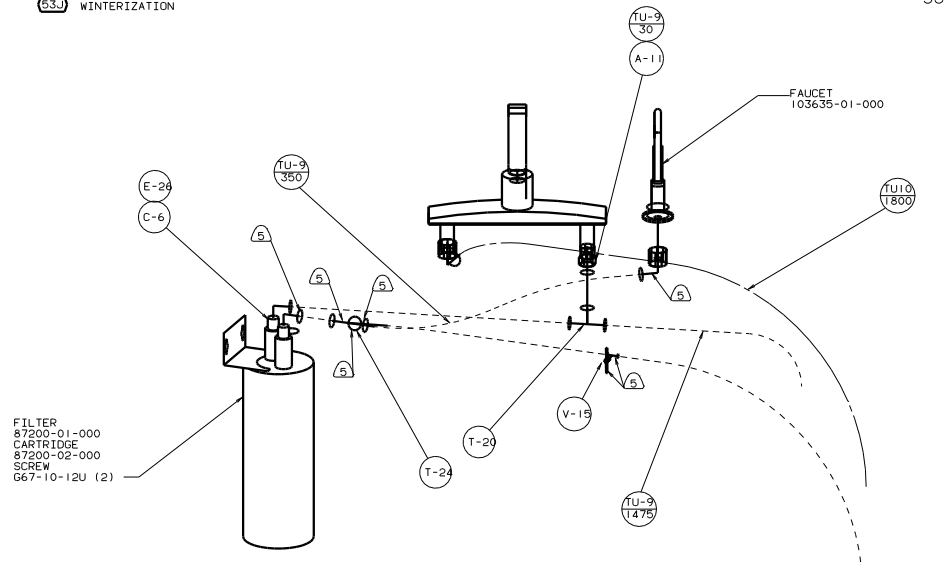
130322



VIEW B-B
53Q WINTERIZATION

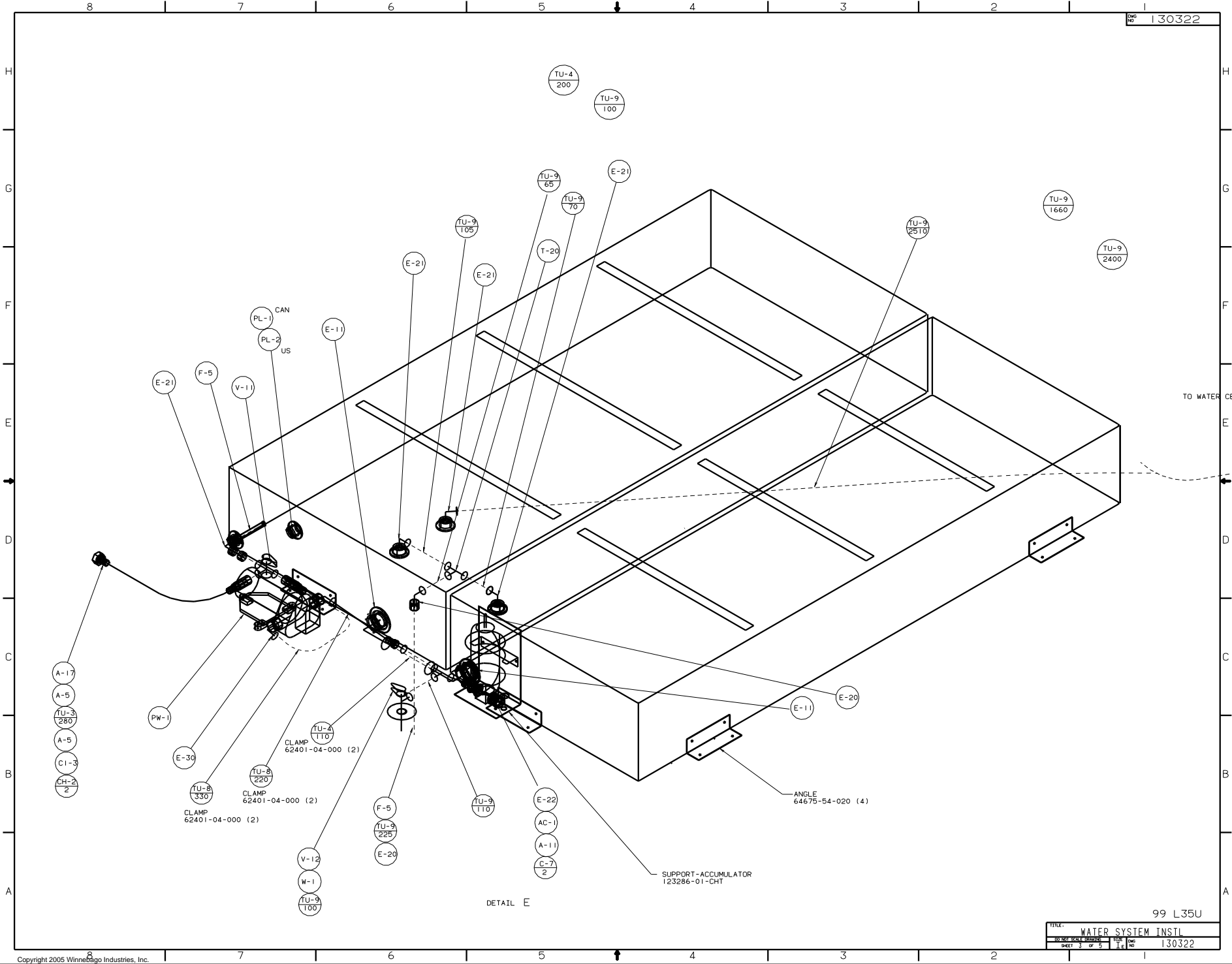


VIEW B-B
53Q WINTERIZING KIT



VIEW C-C (A) TO (B)
29B

FILTER
87200-01-000
CARTRIDGE
87200-02-000
SCREW
G67-10-12U (2)

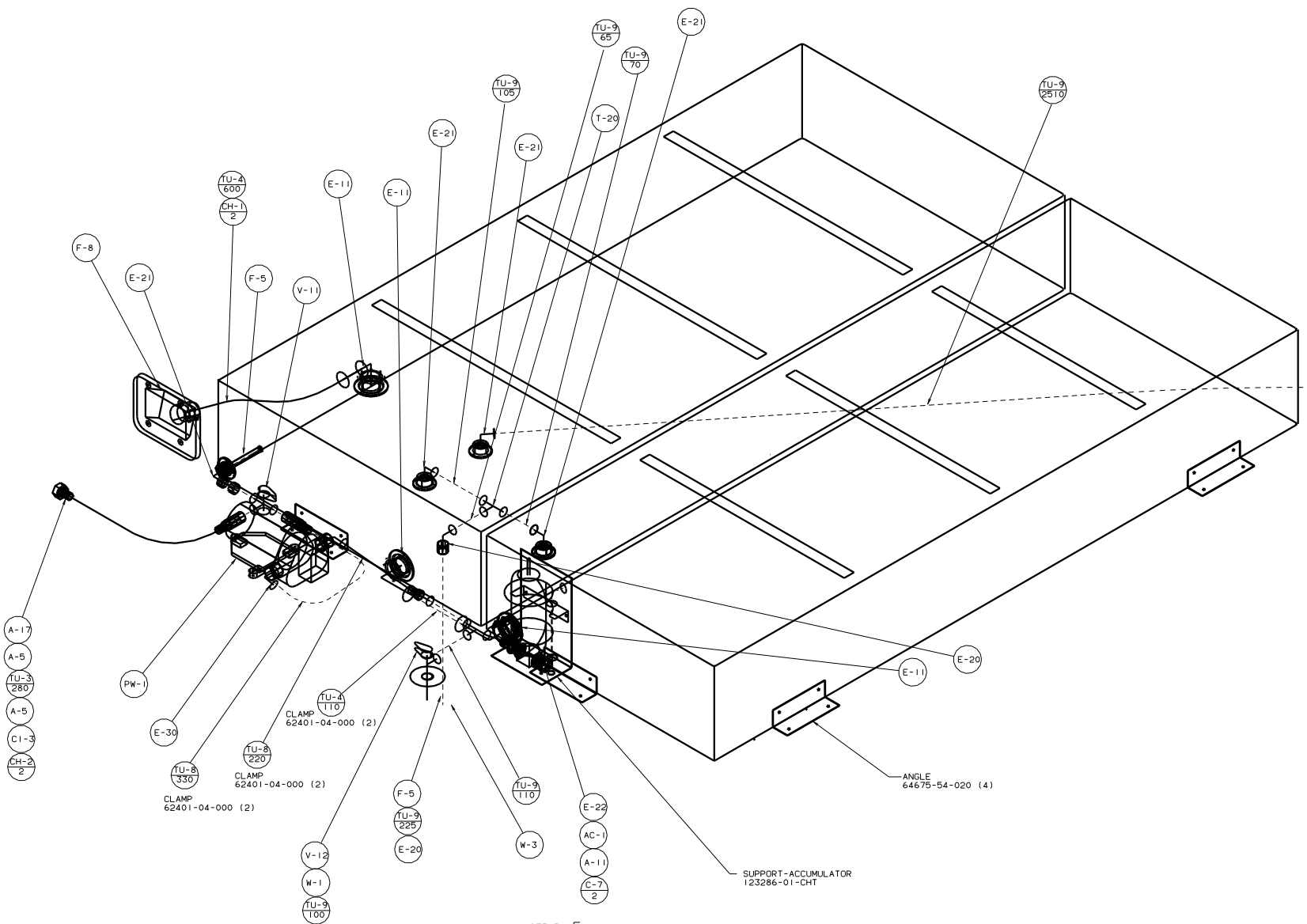


TO WATER

DETAIL E

99 L35U

TITLE		WATER SYSTEM INSTL	
NO	SCALE	REV	DATE
3	OF 5	1	11/01
SHEET		130322	



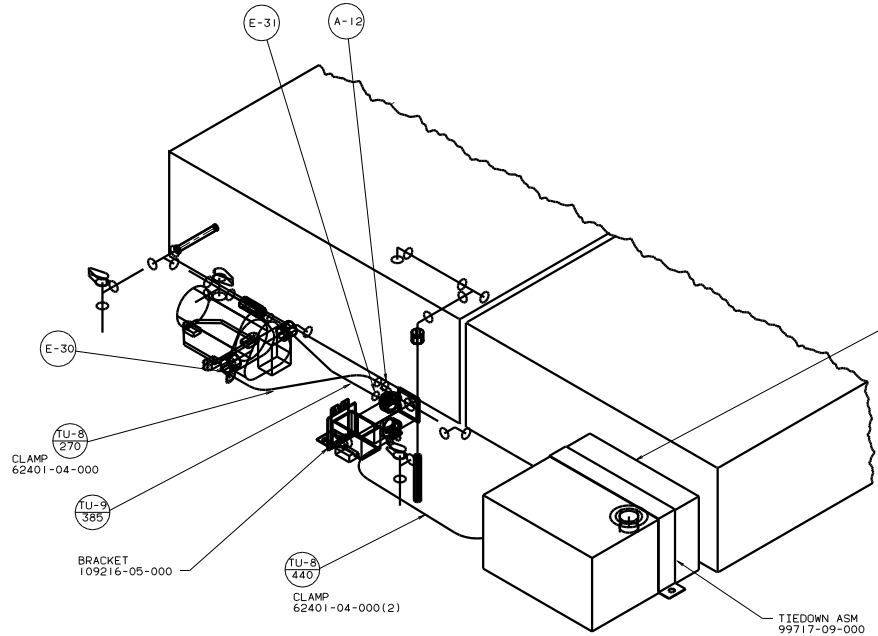
DETAIL E

99 L35C

TITLE: WATER SYSTEM INSTL	
NO. OF SHEETS: 5	SHEET NO. 4
REV. NO. 1	REV. DATE
130322	

BREAKER-VACCUUM
125697-04-000
MUST BE MOUNTED ABOVE
TOILET FLOOD LEVEL

CHECK VALVE
125697-03-000



WINTERIZATION SYSTEM
118569-01-000

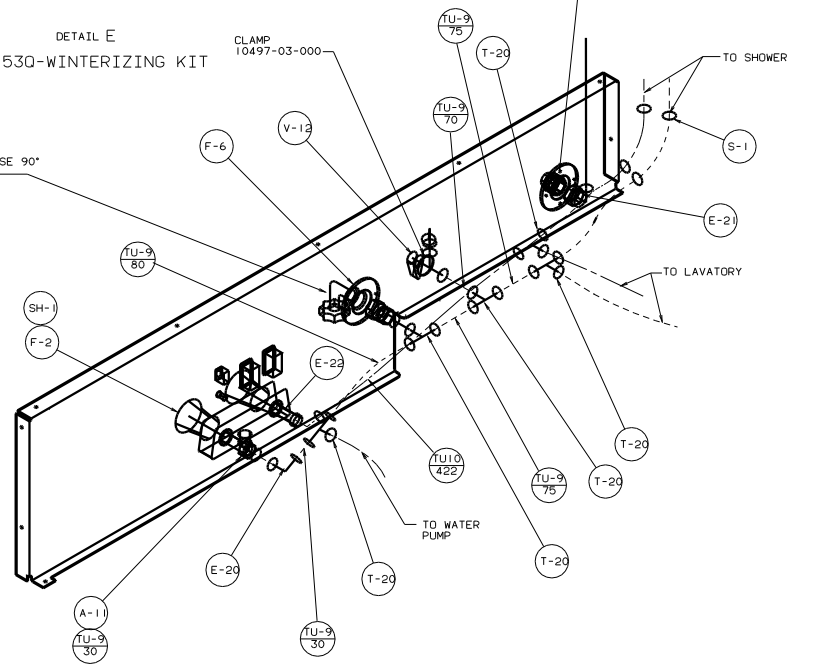
TIEDOWN ASM
99717-09-000

INLET-WATER, FLUSHING SYSTEM
125697-05-000

DETAIL E
530-WINTERIZING KIT

ELBOW-ENTRY, HOSE 90°
126398-01-000

CLAMP
10497-03-000



TU-9 730

TU-9 730

E-20

TU-9 380

T-20

TU-9 55

A-12

E-21

A-12

TU-9 50

T-20

TO WATER TANK

TO WATER TANK

VIEW D-D

VIEW F-F

99 L35C

TITLE		WATER SYSTEM INSTL	
30	NO	1	REV
SHEET 5 OF 5		130322	