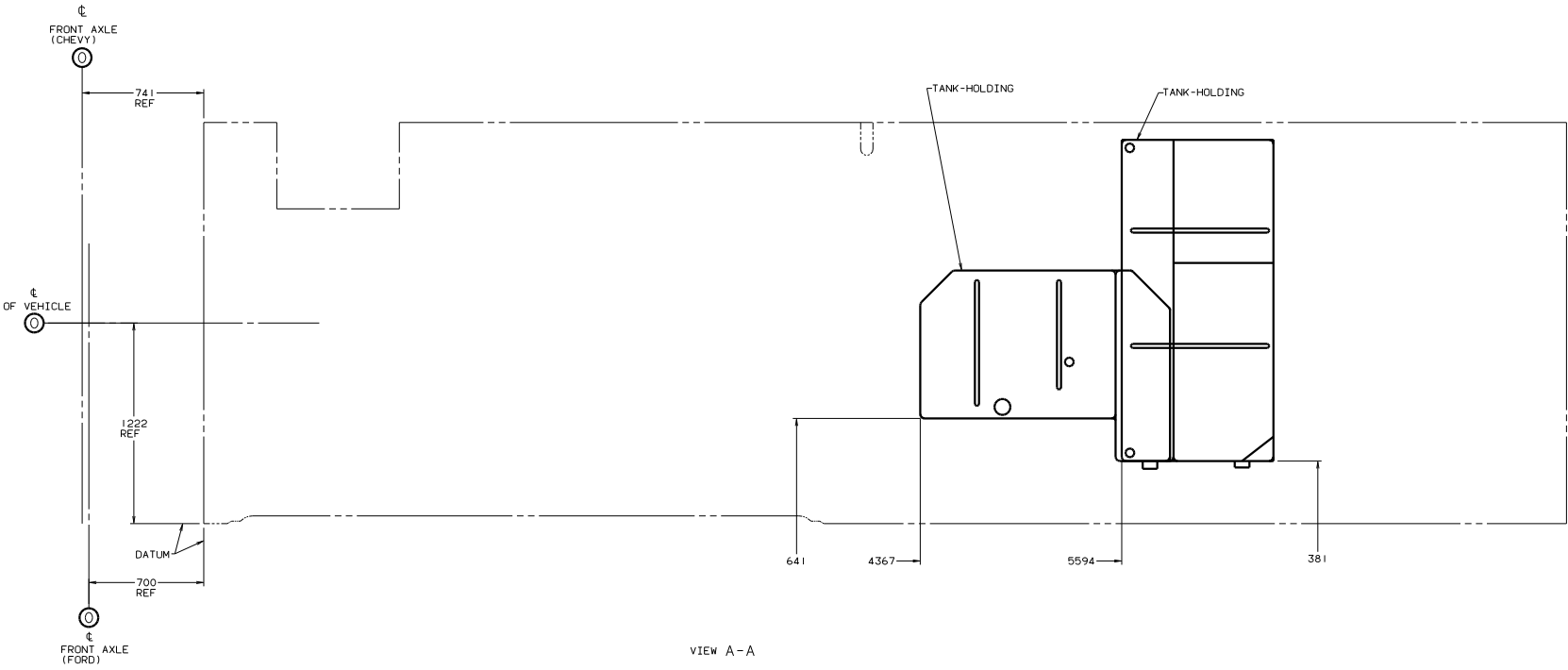


WINNEBAGO 98 L34WY

DATE	DESCRIPTION	BY	CHKD

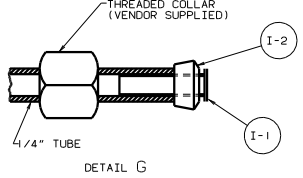
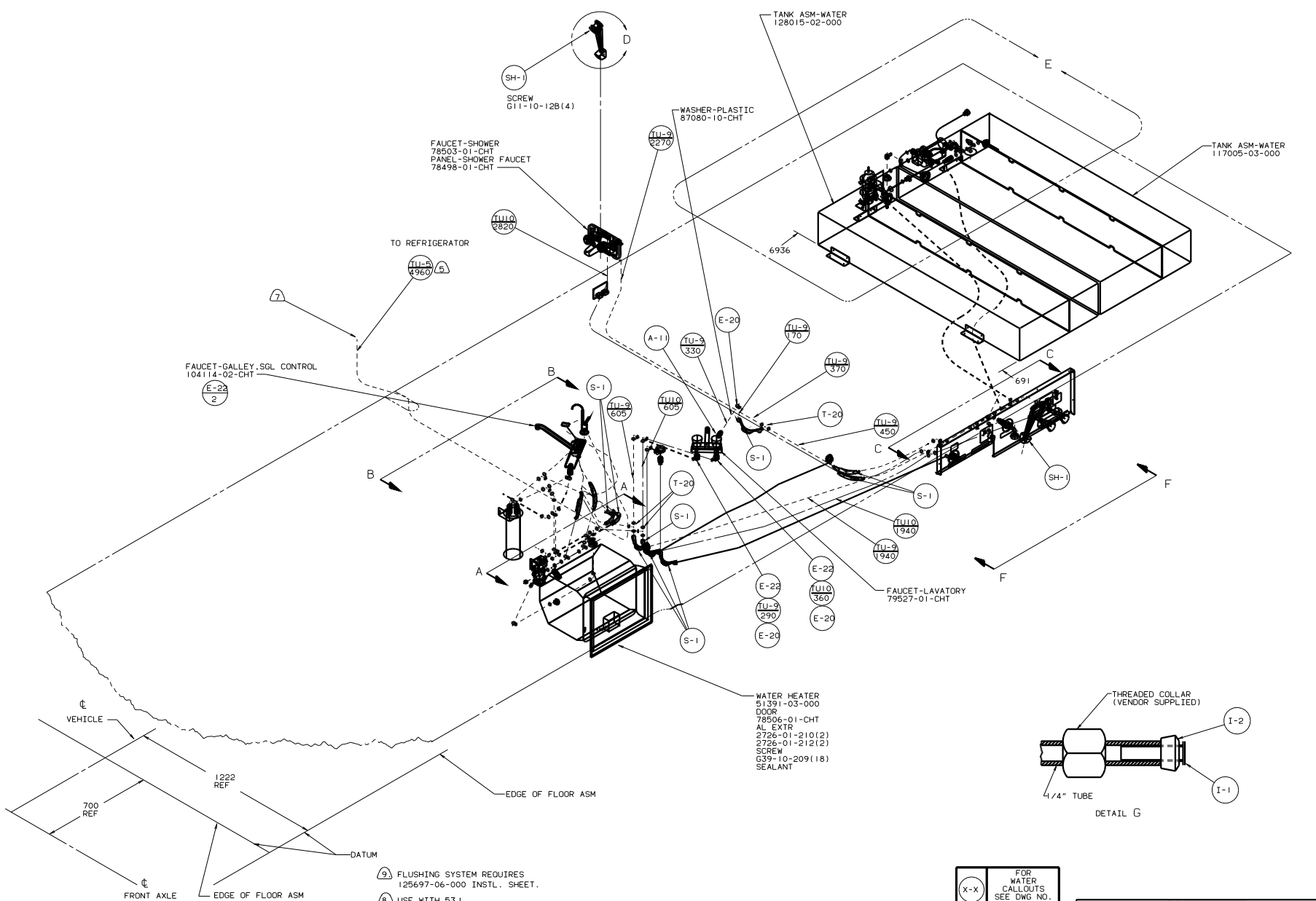
FOR DRAINAGE CALLOUTS SEE DWG NO. 116229-01-000

REF: 125367 F 1



98 L34WY

TITLE: DRAINAGE SYSTEM INSTL		DWG NO 127661	
DATE: 2/2	BY: J.E.	DATE: 1/1	BY: J.E.
SHEET 2 OF 2		SHEET 1 OF 1	



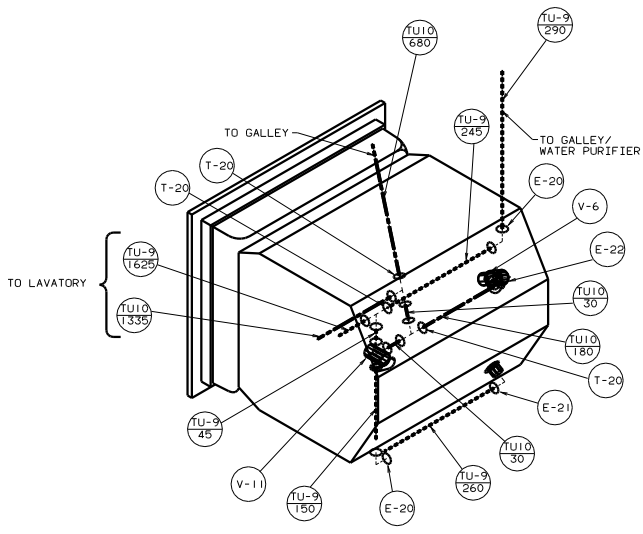
- NOTES:
1. PLASTIC FITTINGS TO BE SEALED WITH SEALANT 84456-01-000.
 2. TUBING TO BE INSTALLED WITH SUFFICIENT SLOPE TO PROVIDE DRAINAGE TO NEAREST VALVE.
 3. ALL TUBING TO BE SECURED AT 1200 INTERVALS MAXIMUM WITH CLAMP 10495-01-000 OR CLIP 91951-01-00 AND SCREW G67-10-12B.
- (9) FLUSHING SYSTEM REQUIRES 125697-06-000 INSTL. SHEET.
 (8) USE WITH 53J.
 (7) USE DETAIL "G" IN THIS AREA.
 (6) USE WITH REFRIGERATOR WITHOUT ICEMAKER.
 (5) ISU- REFRIGERATOR WITH ICEMAKER.
 (4) CLAMPS MUST BE ON BARBS.

FOR WATER CALLOUTS SEE DWG NO. 116230-01-000

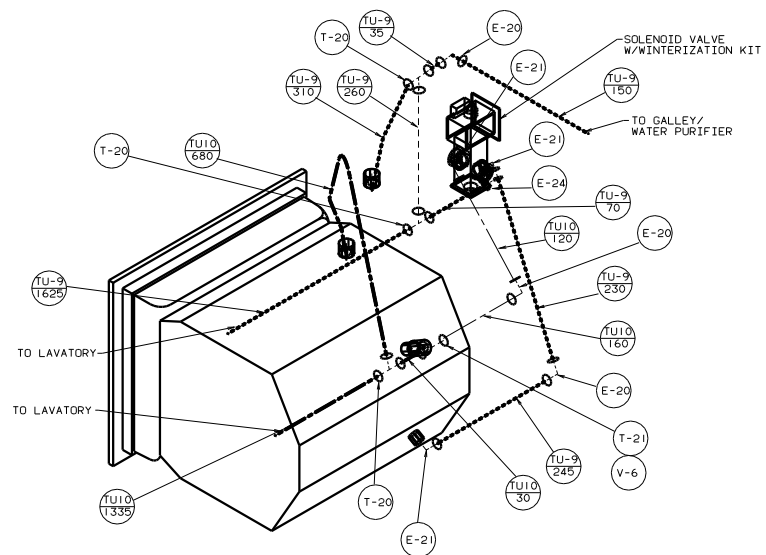
LEGEND	
HOT	—————●—————
COLD	—————○—————

WINNEBAGO		99 L34Y
QTY	DATE	UNSPECIFIED TOLERANCES ARE:
CHG	DATE	WHOLE DIM. .1
DTE	DATE	ONE-PLACE .005
W E	DATE	TWO-PLACE .001
DATE	DATE	THREE-PLACE .0005
DATE	DATE	FOUR-PLACE .0001
DATE	DATE	FIVE-PLACE .00005
DATE	DATE	SIX-PLACE .00001
DATE	DATE	SEVEN-PLACE .000005
DATE	DATE	EIGHT-PLACE .000001
DATE	DATE	NINE-PLACE .0000005
DATE	DATE	TEN-PLACE .0000001
DATE	DATE	UNSPECIFIED DIMENSIONS ARE:
DATE	DATE	WHOLE DIM. .1
DATE	DATE	ONE-PLACE .005
DATE	DATE	TWO-PLACE .001
DATE	DATE	THREE-PLACE .0005
DATE	DATE	FOUR-PLACE .0001
DATE	DATE	FIVE-PLACE .00005
DATE	DATE	SIX-PLACE .00001
DATE	DATE	SEVEN-PLACE .000005
DATE	DATE	EIGHT-PLACE .000001
DATE	DATE	NINE-PLACE .0000005
DATE	DATE	TEN-PLACE .0000001

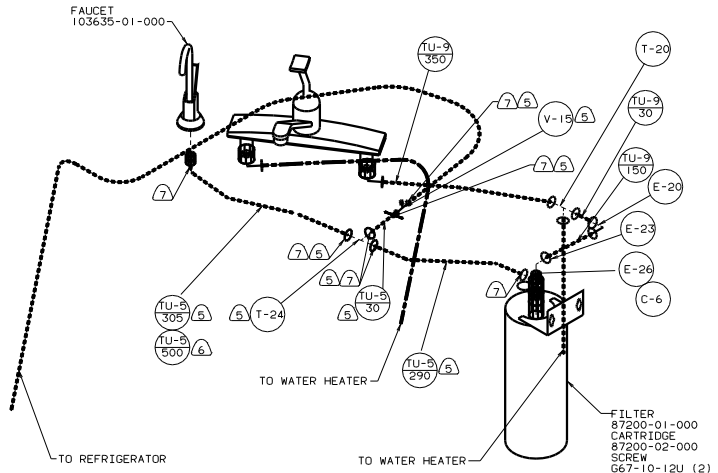
L34WU WATER SYSTEM INSTL
 127662 J 1
 129799



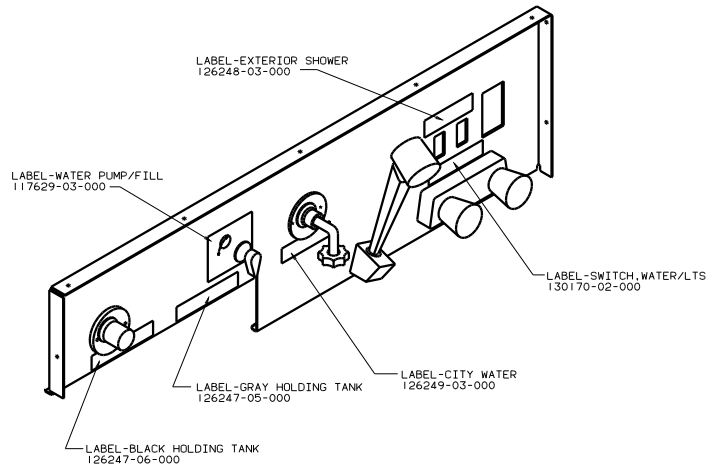
VIEW A-A
53J WATER HEATER BY-PASS VALVE



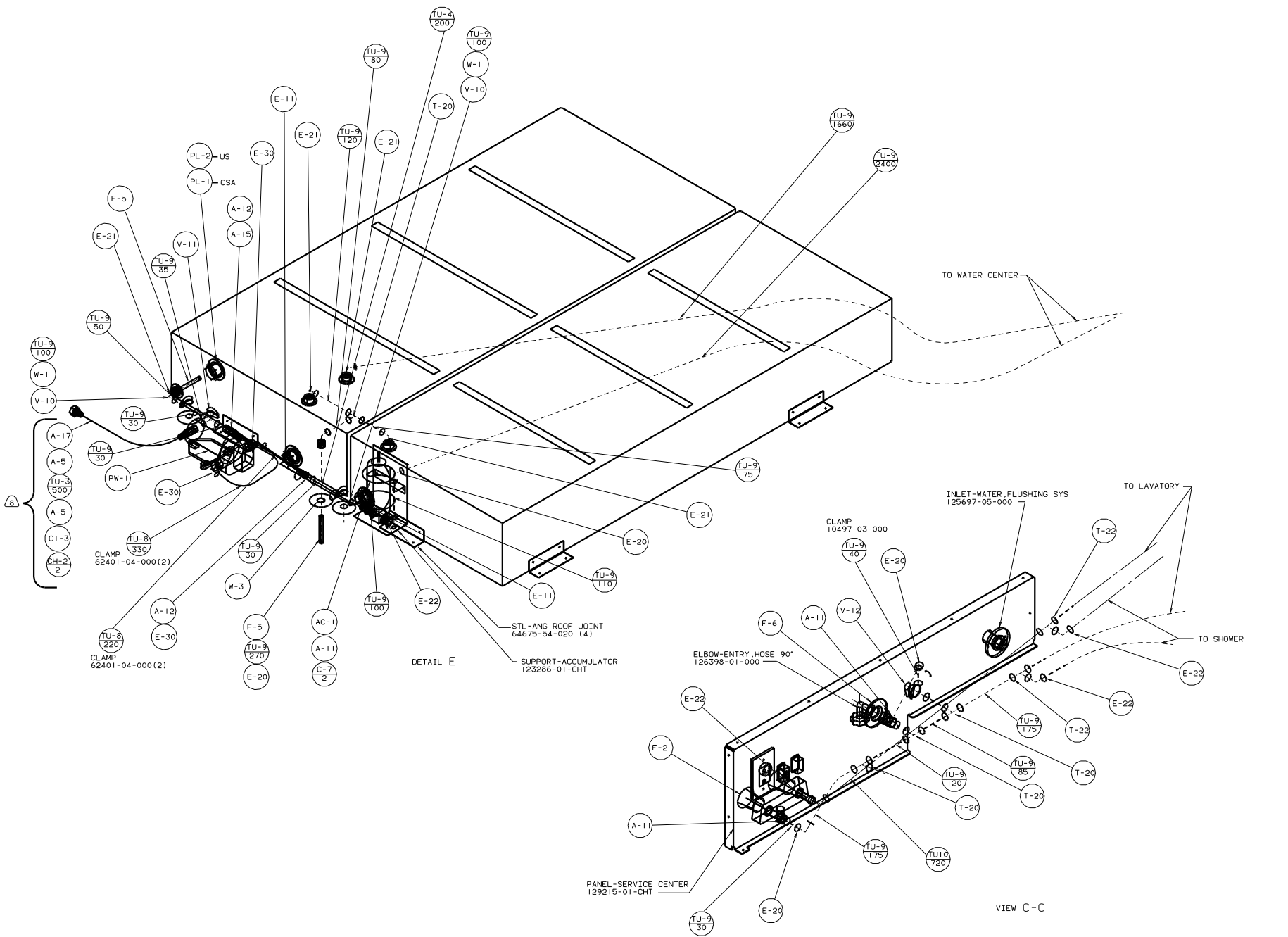
VIEW A-A
530 WINTERIZING KIT



VIEW B-B
29B-WATER PURIFIER



VIEW F-F

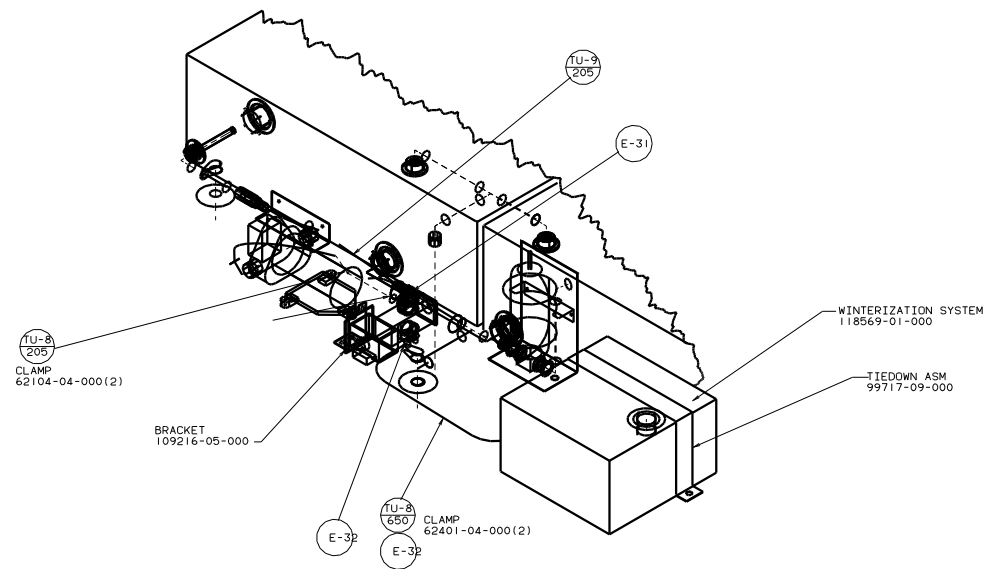


DETAIL E

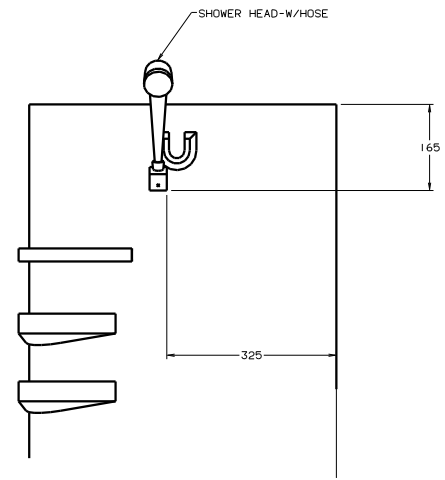
VIEW C-C

99 L34Y

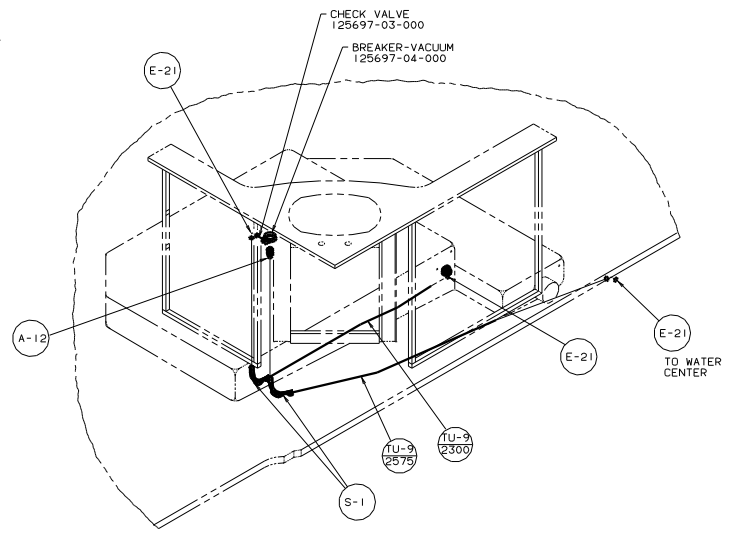
TITLE		129799	
WATER SYSTEM INSTL			
NO. OF SHEETS	TOTAL SHEETS	DATE	DESIGNER
3 OF 4	4		



DETAIL E
530-WINTERIZING KIT



DETAIL D



FLUSHING SYSTEM

TITLE: WATER SYSTEM INSTL	
NO. OF SHEETS: 4	FIG. NO. 1
SHEET 4 OF 4	
129799	