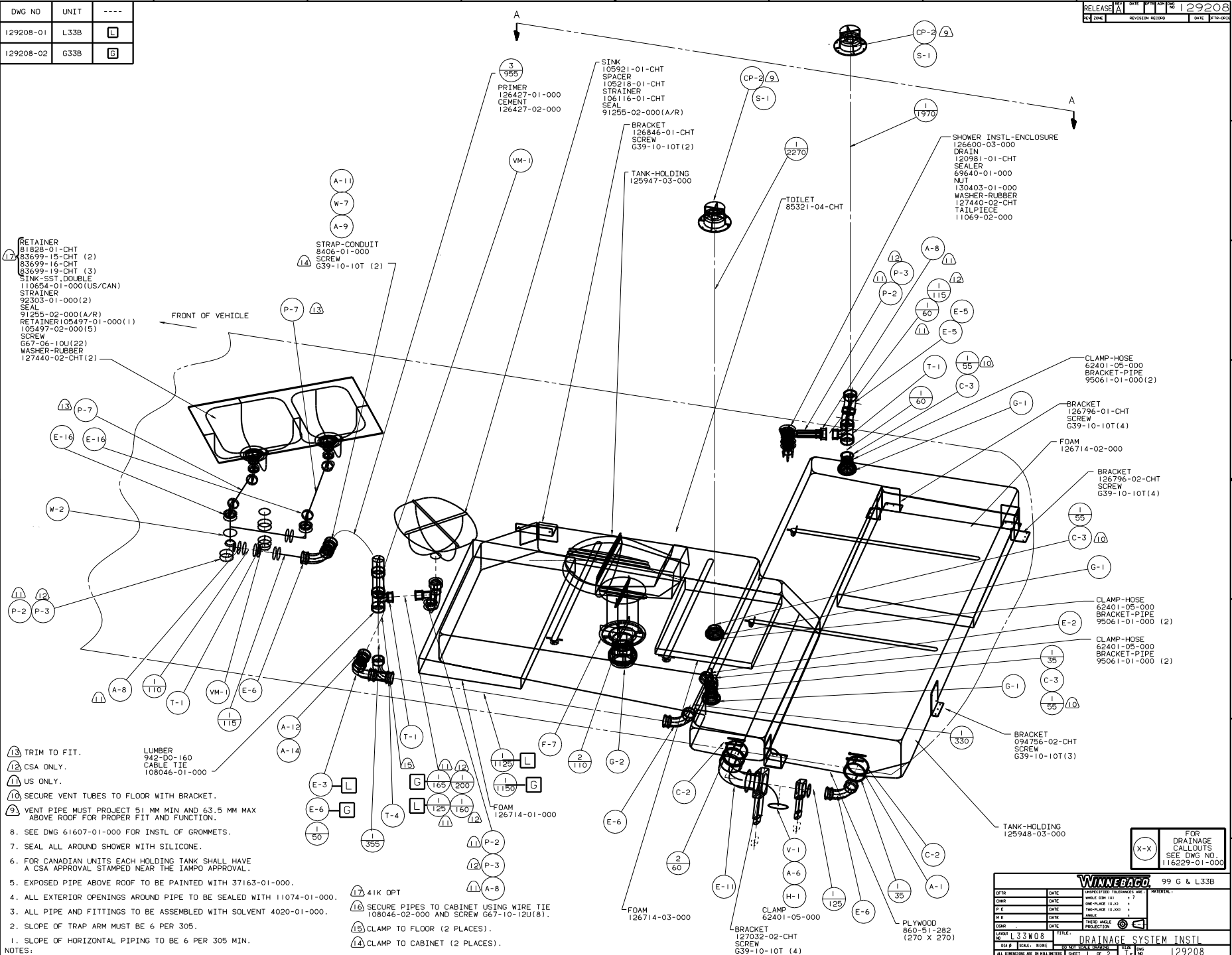


DWG NO	UNIT	----
129208-01	L33B	L
129208-02	G33B	G



- 13 TRIM TO FIT.
 12 CSA ONLY.
 11 US ONLY.
 10 SECURE VENT TUBES TO FLOOR WITH BRACKET.
 9 VENT PIPE MUST PROJECT 51 MM MIN AND 63.5 MM MAX ABOVE ROOF FOR PROPER FIT AND FUNCTION.
 8. SEE DWG 61607-01-000 FOR INSTL OF GROMMETS.
 7. SEAL ALL AROUND SHOWER WITH SILICONE.
 6. FOR CANADIAN UNITS EACH HOLDING TANK SHALL HAVE A CSA APPROVAL STAMPED NEAR THE TAMPO APPROVAL.
 5. EXPOSED PIPE ABOVE ROOF TO BE PAINTED WITH 37163-01-000.
 4. ALL EXTERIOR OPENINGS AROUND PIPE TO BE SEALED WITH 11074-01-000.
 3. ALL PIPE AND FITTINGS TO BE ASSEMBLED WITH SOLVENT 4020-01-000.
 2. SLOPE OF TRAP ARM MUST BE 6 PER 305.
 1. SLOPE OF HORIZONTAL PIPING TO BE 6 PER 305 MIN.

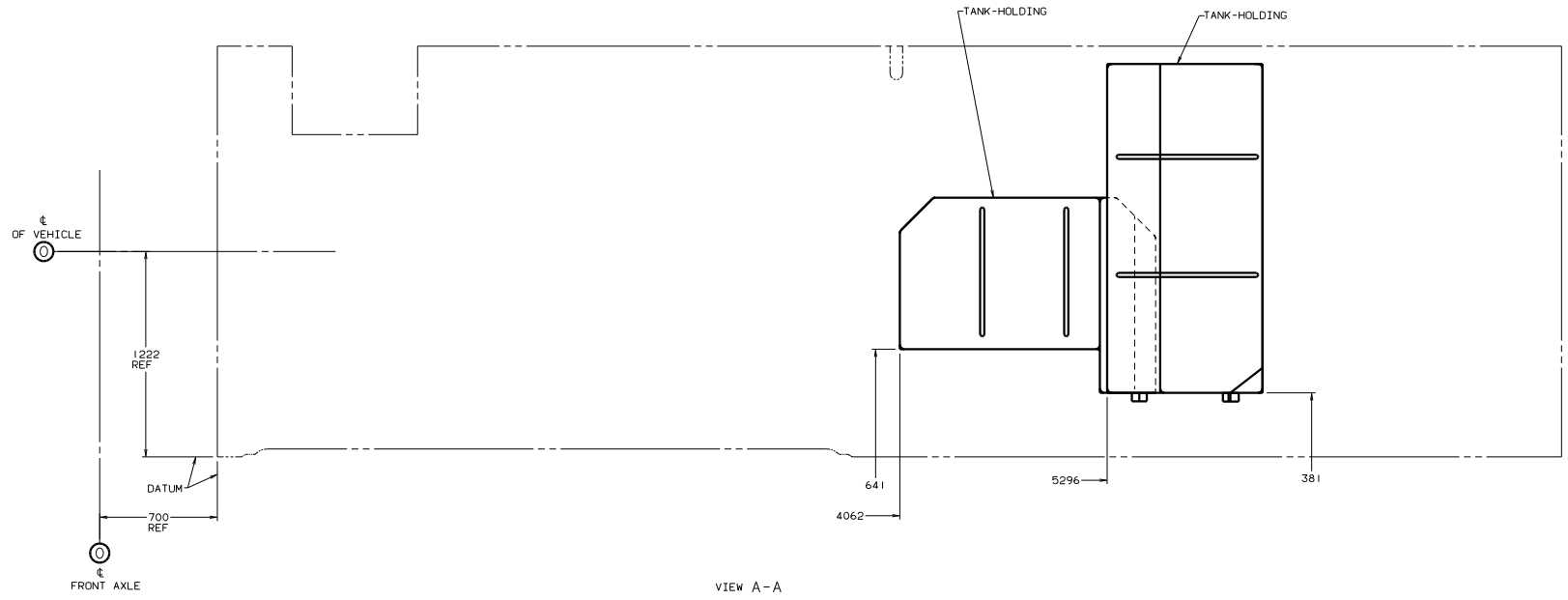
- 17 41K OPT
 16 SECURE PIPES TO CABINET USING WIRE TIE 108046-02-000 AND SCREW G67-10-12U(6).
 15 CLAMP TO FLOOR (2 PLACES).
 14 CLAMP TO CABINET (2 PLACES).

(X-X) FOR DRAINAGE CALLOUTS SEE DWG NO. 116229-01-000

WINNEBAGO 99 G & L33B

DATE	DATE	PROPOSED TOLERANCES ARE:	MATERIAL:
DWG	DATE	WHOLE SIZE (1:1)	+
P.E.	DATE	TWO-PHASE (1:2)	+
DWG	DATE	THIRD ANGLE PROJECTION	
DATE	DATE		

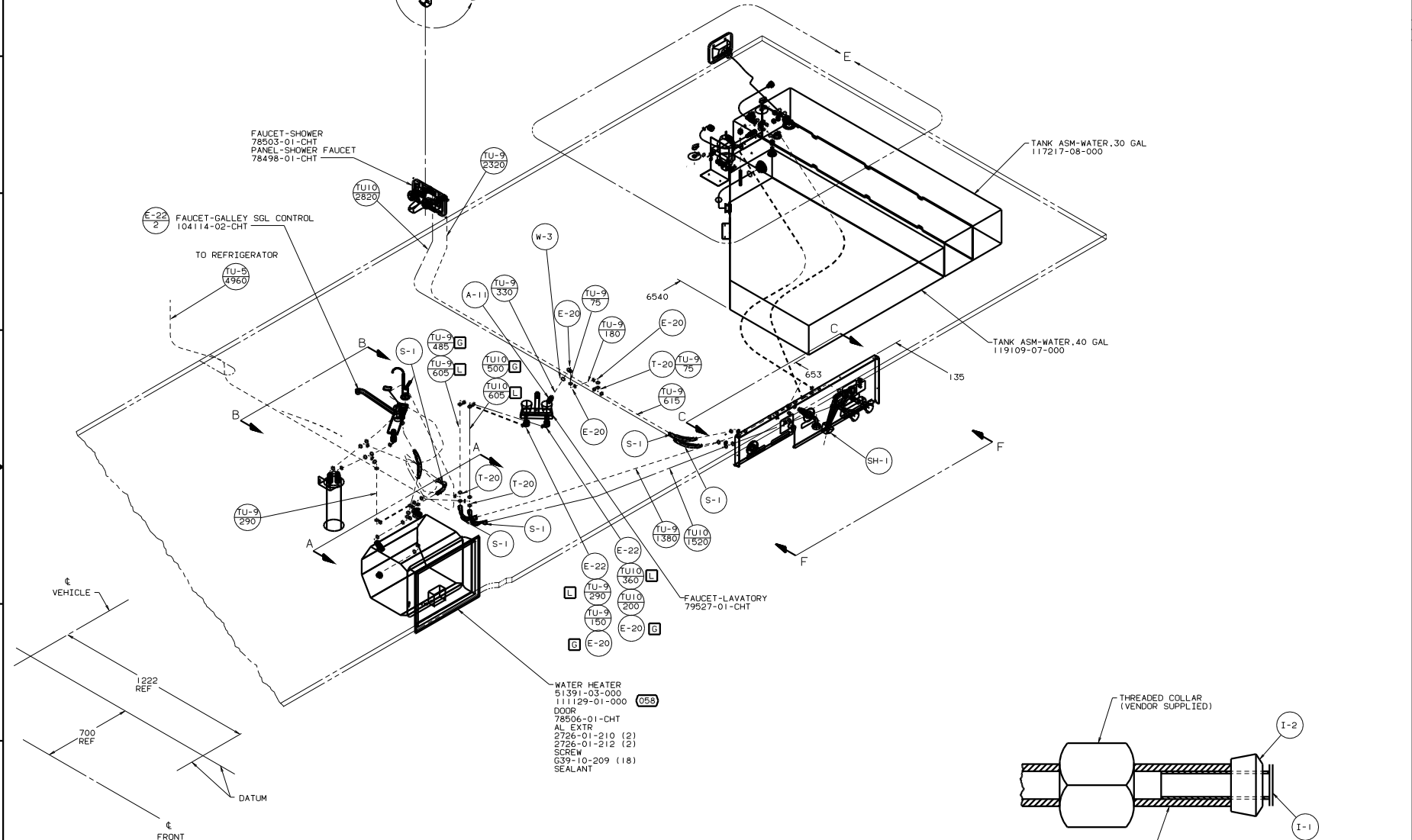
LAYER 1 33W08 TITLE: DRAINAGE SYSTEM INSTL
 SHEET 1 OF 2 129208



VIEW A-A

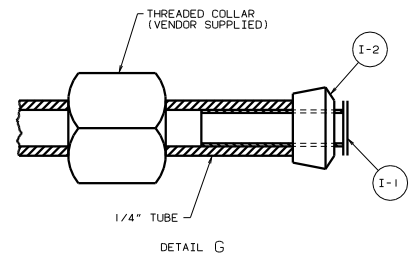
TITLE: DRAINAGE SYSTEM INSUL		FIG. NO. 1	
SHEET 2 OF 2		JOB NO. 129208	

DWG NO	UNIT	---
129565-01	L33B	L
129565-02	G33B	G



1. PLASTIC FITTINGS TO BE SEALED WITH SEALANT 84456-01-000.
2. TUBING TO BE INSTALLED WITH SUFFICIENT SLOPE TO PROVIDE DRAINAGE TO NEAREST VALVE.
3. ALL TUBING TO BE SECURED AT 1200 INTERVALS MAXIMUM WITH CLAMP 10495-01-000 OR CLIP 91951-01-000 AND SCREW G67-10-12B.
4. 15U- REFRIGERATOR WITH ICEMAKER.
5. USE WITH REFRIGERATOR WITHOUT ICEMAKER.
6. USE DETAIL "G" IN THIS AREA.
7. USE WITH 53J.
8. FLUSHING SYSTEM REQUIRES 125697-06-000 INSTRUCTION SHEET.

WATER HEATER
 51391-03-000
 111129-01-000
 DOOR
 78506-01-CHT
 AL EXTR
 2726-01-210 (2)
 2726-01-212 (2)
 SCREW
 G39-10-209 (18)
 SEALANT



FOR WATER CALLOUTS SEE DWG NO. 116230-01-000

LEGEND

HOT

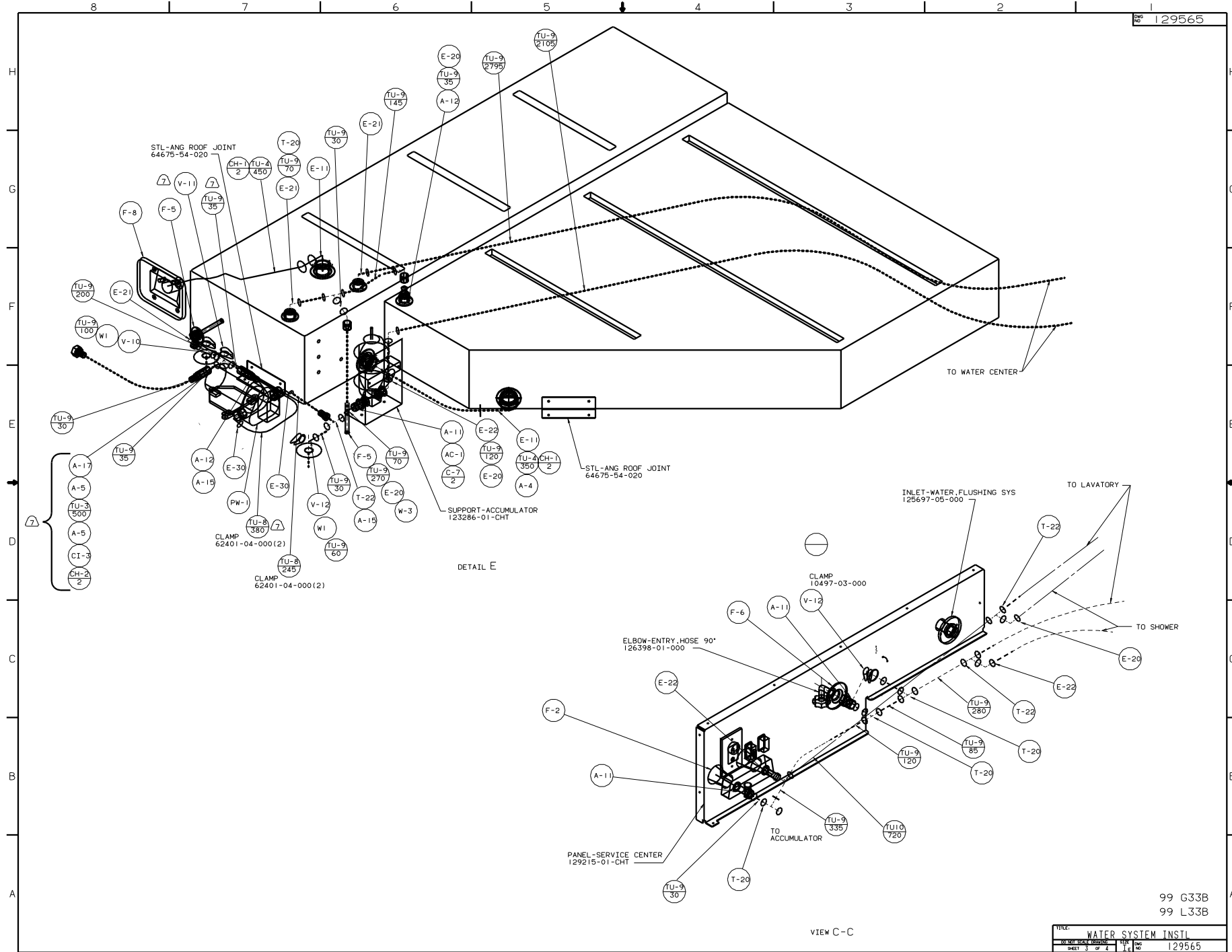
COLD

058 EUROPEAN EXPORT PREP-PARTIAL

WINNEBAGO 99 L33B

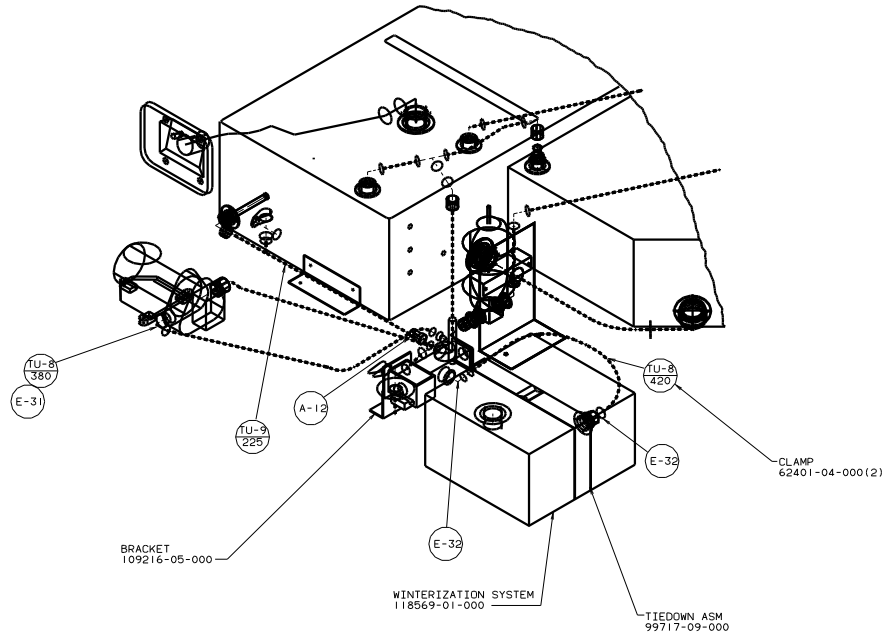
DATE	UNDESIGNED TOLERANCES ARE:	MATERIAL
DATE	ONE-PLACE (X.X1)	
DATE	TWO-PLACE (X.XX)	
DATE	THREE-PLACE (X.XXX)	
DATE	THREE-PLACE (X.XXX)	

LANE: L33W0 TITLE: WATER SYSTEM INSTL
 DIA # SCALE: NONE TO THE SCALE SHOWN THE DIA
 ALL DIMENSIONS ARE IN MILLIMETERS SHEET 1 OF 4 129565

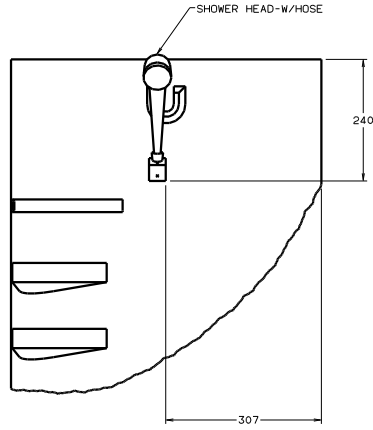


99 G33B
99 L33B

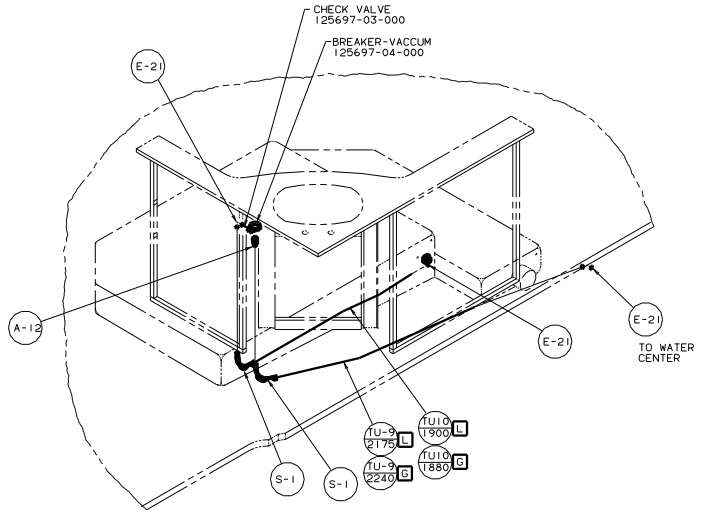
TITLE: WATER SYSTEM INSTL	
DATE: 04-11-99	BY: J.E.
SHEET: 3 of 4	NO: 129565



DETAIL E
530- WINTERIZING KIT [L]



DETAIL D



FLUSHING SYSTEM

99 G33B
99 L33B

TITLE:		WATER SYSTEM INSTL	
DATE:	BY:	CHK:	APP:
SHEET 4	OF 4	1	1
		129565	